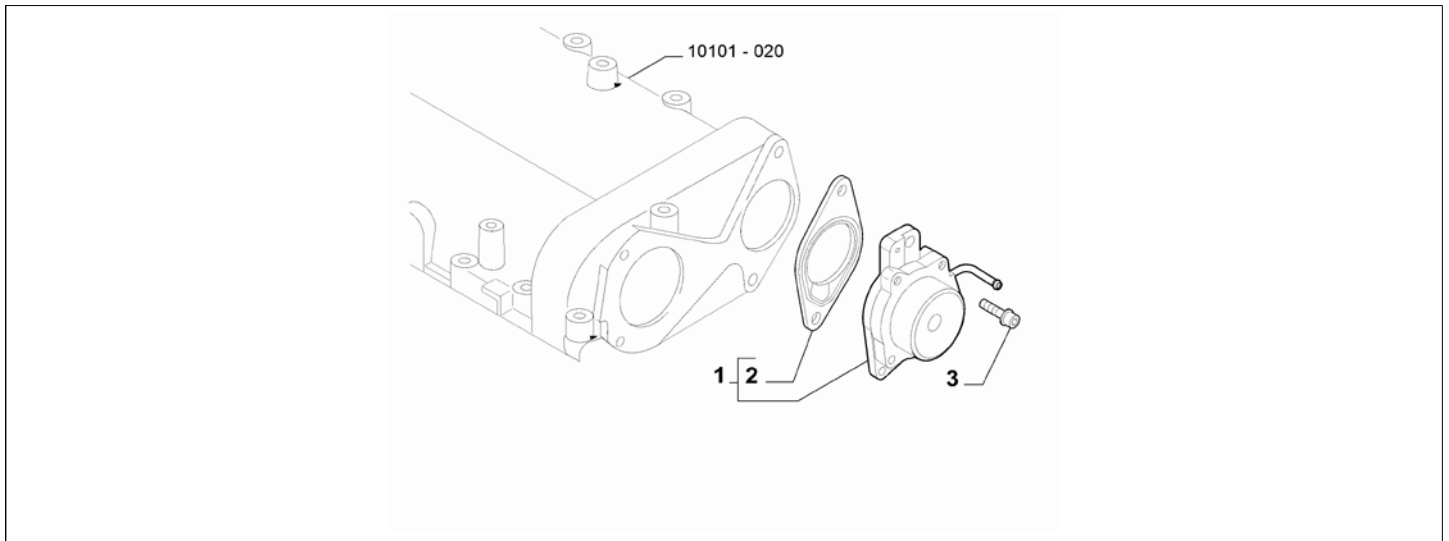


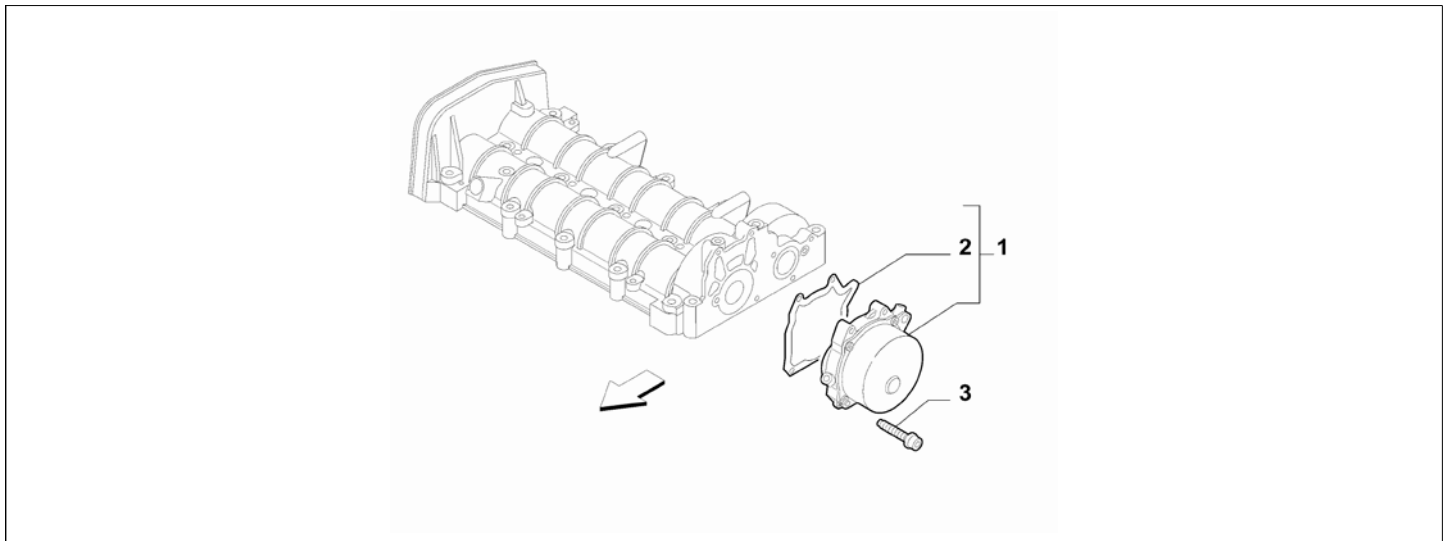
| | | |
|-----------|-------------------------|---------------|
| Catalogue | MITO 2013-2018 | |
| Category | 9.3 BRAKE VACUUM SYSTEM | |
| Var. | 01 | 1.3D + DIESEL |
| Rev. | 00 | |



| Part Num. | Description | Compatibility | Modif. | Qty | Notes | Col. | Reman. |
|-----------|--------------------------------|---------------|--------|-----|-------|------|--------|
| 1 | 55268636 VACUUM PUMP, COMPLETE | | | 1 | | | |
| 2 | 71778655 SEAL GASKET | | | 1 | | | |
| 3 | 73502591 SCREW, M8X22 | | | 2 | | | |

| Legend | |
|--------|-----------------------|
| 1.3D | HORSE POWER (MARKET): |
| DIESEL | FUEL:DIESEL |

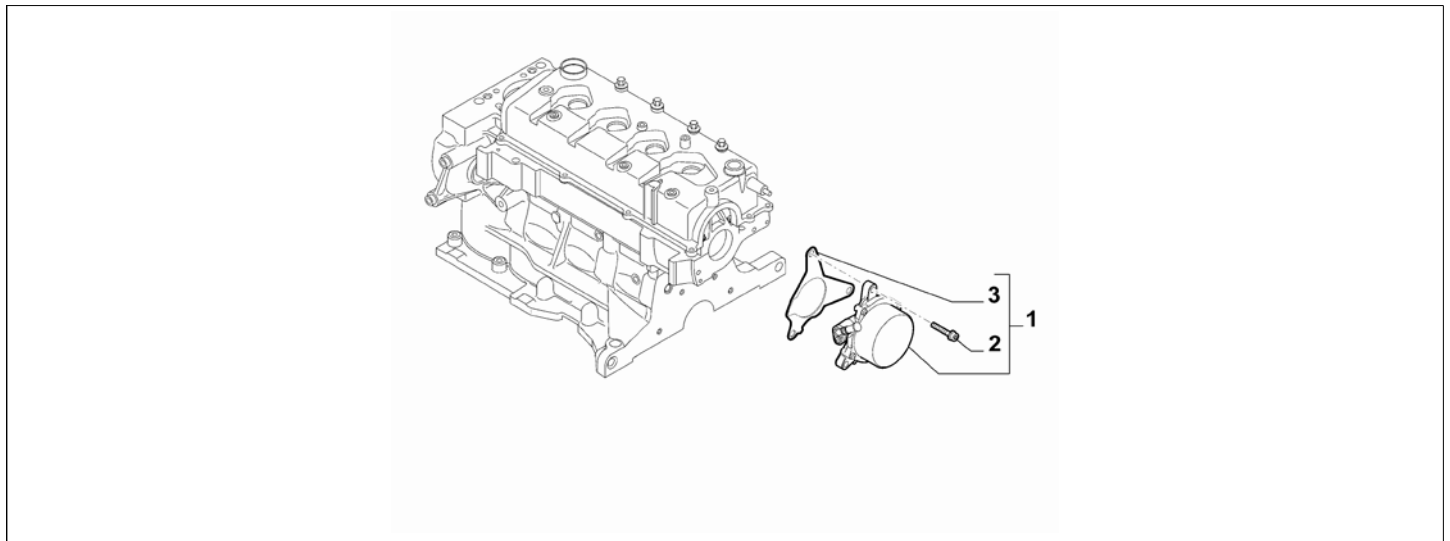
| | | |
|-----------|-------------------------|-----------------------|
| Catalogue | MITO 2013-2018 | |
| Category | 9.3 BRAKE VACUUM SYSTEM | |
| Var. | 02 | 1.6D + DIESEL + 120HP |
| Rev. | 00 | |



| Part Num. | Description | Compatibility | Modif. | Qty | Notes | Col. | Reman. |
|-----------|-----------------------|---------------|--------|-----|-------|------|--------|
| 1 | 55269802 VACUUM PUMP | | | 01 | | | |
| 2 | 71779194 SEAL GASKET | | | 01 | | | |
| 3 | 55184920 SCREW, M6X35 | | | 04 | | | |

| Legend | |
|--------|---|
| 1.6D | HORSE POWER (MARKET):1598 |
| DIESEL | FUEL:DIESEL |
| 120HP | POWER:1.6 JTD EURO5 -1.4 FIRE TRB 120HP |

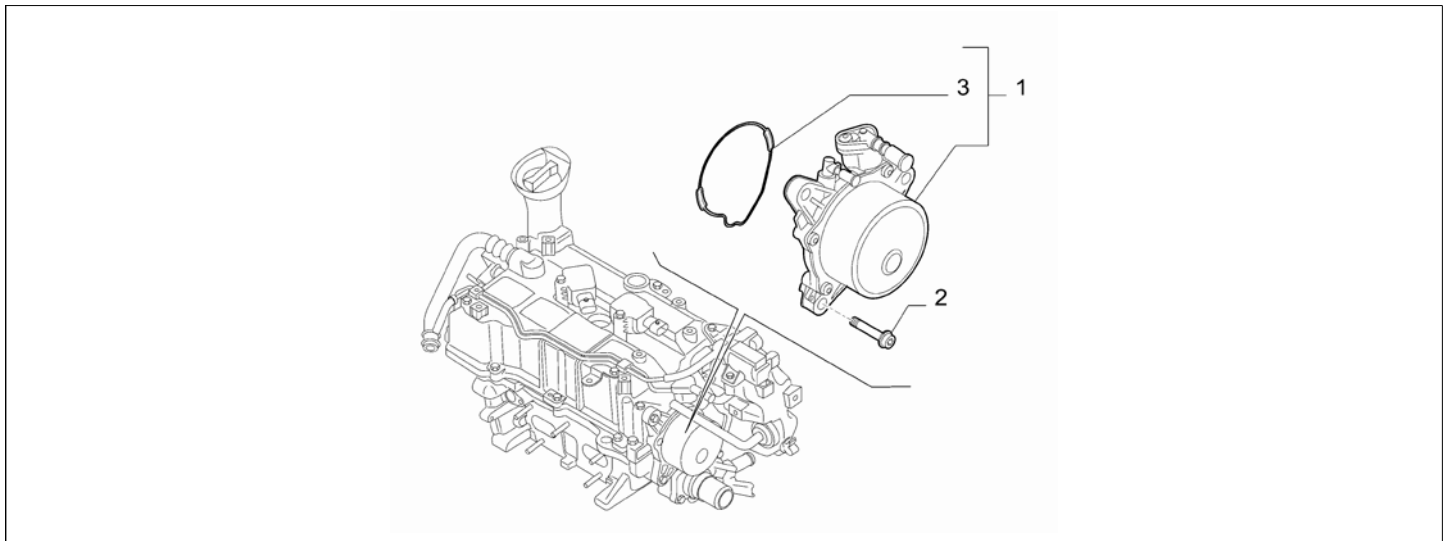
| | | |
|-----------|-------------------------|----------------------------|
| Catalogue | MITO 2013-2018 | |
| Category | 9.3 BRAKE VACUUM SYSTEM | |
| Var. | 03 | 1.4 + 16V + (135HP, 170HP) |
| Rev. | 00 | |



| Part Num. | Description | Compatibility | Modif. | Qty | Notes | Col. | Reman. |
|-----------|--------------------------------|---------------|--------|-----|-------|------|--------|
| 1 | 55221559 VACUUM PUMP | | | 1 | | | |
| 2 | 73502574 SCREW AND WASHER ASSY | | | 3 | | | |
| 3 | 55233645 SEAL GASKET | | | 1 | | | |

| Legend | |
|--------|---|
| 1.4 | HORSE POWER (MARKET):1370 |
| 170HP | POWER:1.4 FIRE 16V TURBO MULTIAIR 170HP EURO 5 |
| 135HP | POWER:1.4 FIRE 16V TURBO MULTIAIR 135 HP EURO 5 |
| 16V | TOTAL NUMBER OF VALVES:16 VALVES |

| | | |
|-----------|-------------------------|--|
| Catalogue | MITO 2013-2018 | |
| Category | 9.3 BRAKE VACUUM SYSTEM | |
| Var. | 04 | 875CC + (85HP, 105HP) + TURBO + PETROL |
| Rev. | 00 | |



| Part Num. | Description | Compatibility | Modif. | Qty | Notes | Col. | Reman. |
|-----------|--------------------------------|---------------|--------|-----|-------|------|--------|
| 1 | 55268125 VACUUM PUMP | | C18868 | 1 | | | |
| 1 | 55270030 VACUUM PUMP | | D18868 | 1 | | | |
| 2 | 73502574 SCREW AND WASHER ASSY | | | 3 | | | |
| 3 | 71769211 SEAL GASKET | | | 1 | | | |

| Legend | |
|--------|--------------------------|
| TURBO | (ASPIRATED/TURBO):TURBO |
| 875CC | HORSE POWER (MARKET):875 |
| PETROL | FUEL:PETROL |
| 85HP | POWER:1.3 SDE 85HP EURO5 |
| 105HP | POWER:0.9 TWINAIR 105HP |
| 18868 | New vacuum [MOT 308899] |