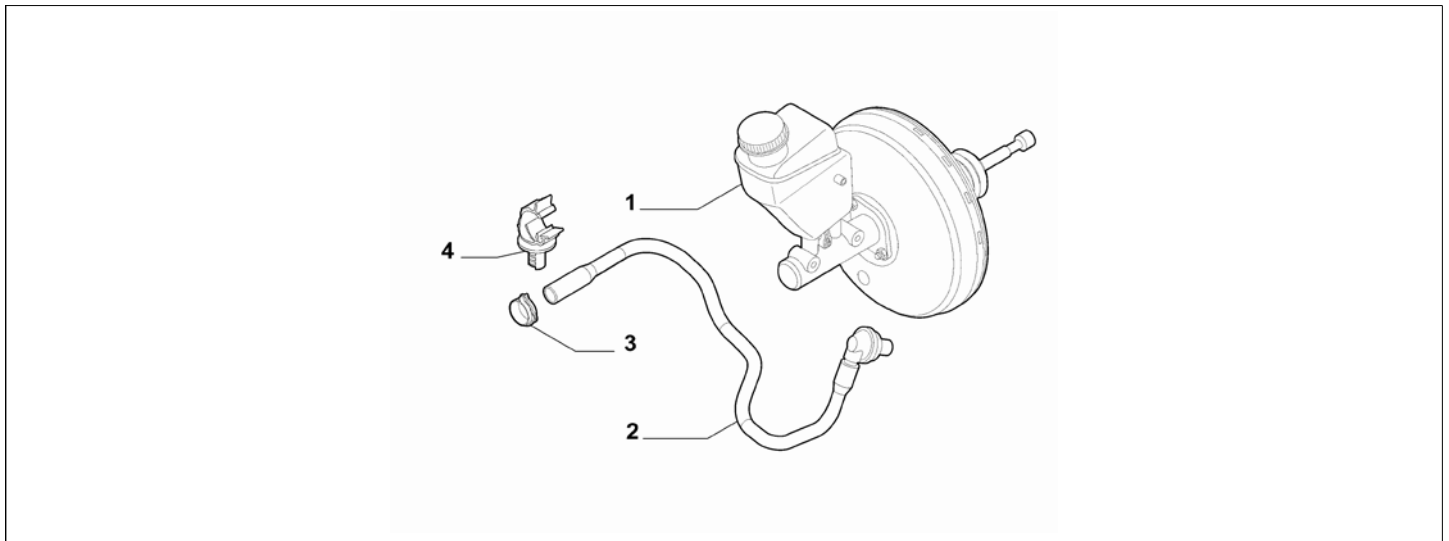


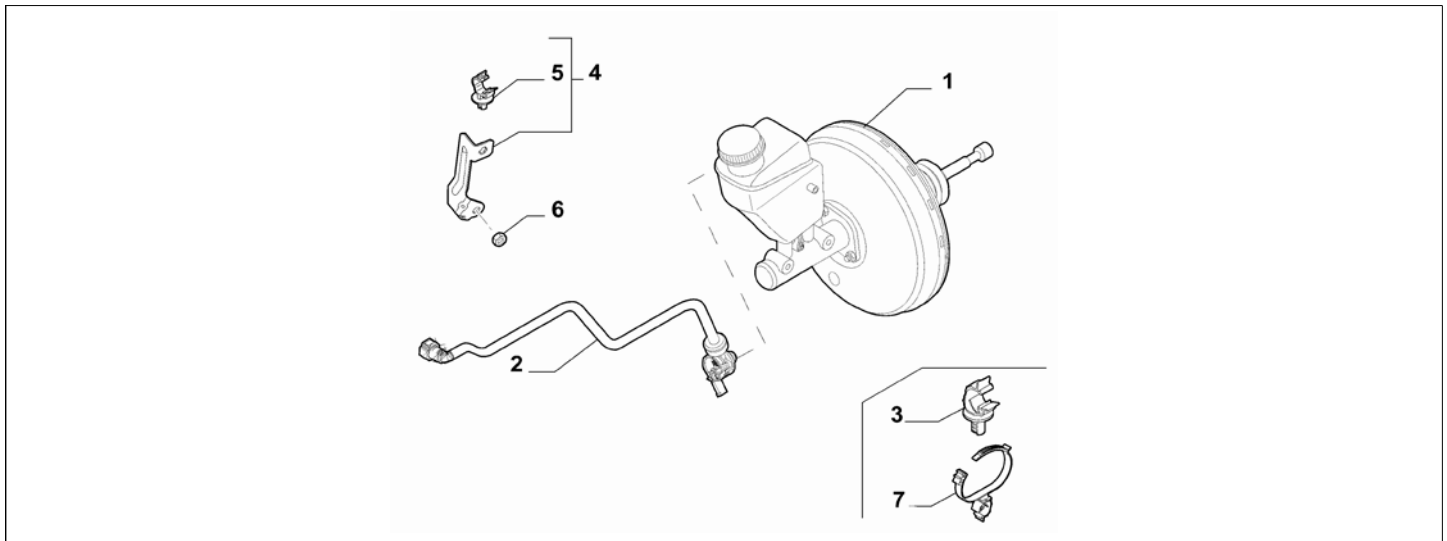
Catalogue	MITO 2013-2018	
Category	9.2 HYDRAULIC BRAKE SYSTEM	
Var.	01	LHD + !S/S
Rev.	00	



Part Num.	Description	Compatibility	Modif.	Qty	Notes	Col.	Reman.
1	51879776 POWER BRAKE	1.4+009+052		1			
2	51839979 HOSE	8V		1			
2	50521634 HOSE	LPG		1			
3	13125270 COLLAR	70HP, 78HP		1			
3	13125270 COLLAR	120HP		1			
4	46804425 CLIP	70HP, 78HP		1			
4	46804425 CLIP	120HP		1			

Legend	
009	ABS
052	BAS - BRAKE ASSISTANCE SYSTEM
LPG	LPG FUELING (ITALY STANDARD)
S/S	STOP&START
1.4	HORSE POWER (MARKET):1370
LHD	STEERING:LEFT
70HP	POWER:1.4 FIRE 8V 70HP EURO5-EURO6
78HP	POWER:1.4 FIRE 8V/16V 78HP EURO5
120HP	POWER:1.6 JTD EURO5 -1.4 FIRE TRB 120HP
8V	TOTAL NUMBER OF VALVES:8 VALVES

Catalogue	MITO 2013-2018	
Category	9.2 HYDRAULIC BRAKE SYSTEM	
Var.	02	LHD + S/S
Rev.	00	

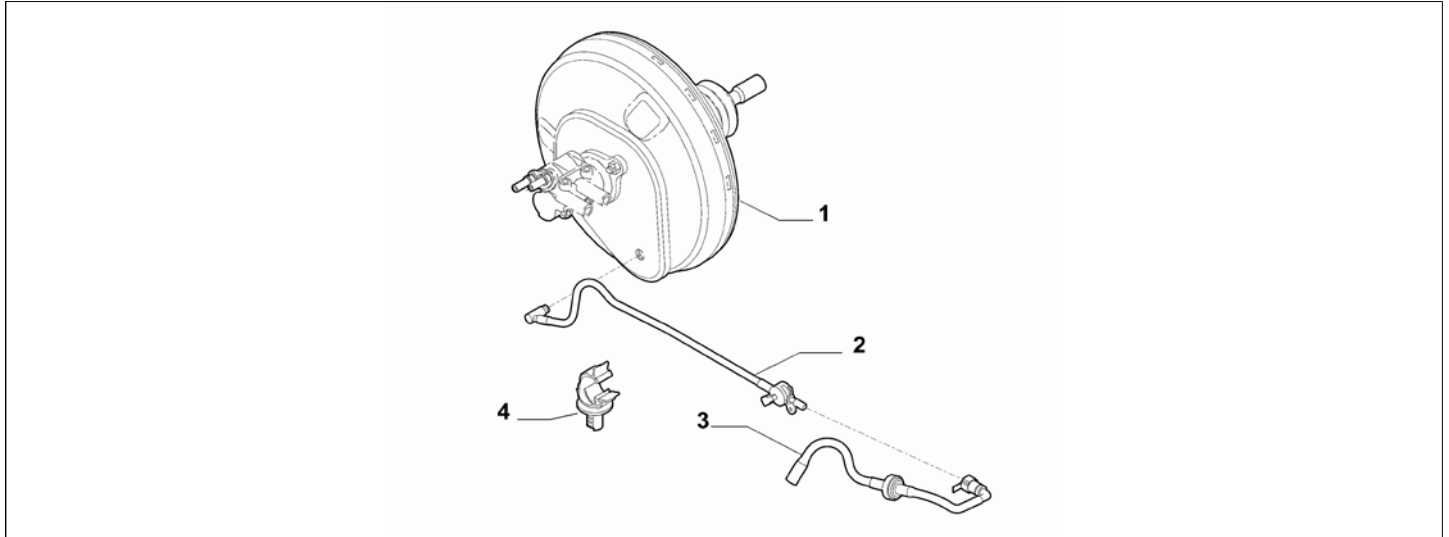


Part Num.	Description	Compatibility	Modif.	Qty	Notes	Col.	Reman.
1	51879776	POWER BRAKE	1.4+009+052		1		
1	51879776	POWER BRAKE	875CC		1		
1	51878451	POWER BRAKE	875CC		1		
1	51878451	POWER BRAKE	I009+I052+ITCT+NOTURBO+1.4		1		
1	50516454	POWER BRAKE	TCT+TURBO		1		
1	51878454	POWER BRAKE	I009+I052+ITCT+TURBO+(1.3D, 1.4, 1.6D)		1		
2	50521460	HOSE	135HP	D15212	1		
2	51897626	HOSE	170HP	D15212	1		
2	51897629	HOSE	1.6D	D15212	1		
2	51897628	HOSE	1.3D+EURO5	D15212	1		
2	51897624	HOSE	1.4+8V	D15212	1		
2	51934540	HOSE	875CC		1		
2	50542867	HOSE	1.3D+EURO6+PCC510		1		
3	46804425	CLIP	1.3D, 1.6D		1		
3	46804425	CLIP	135HP, 170HP		1		
3	46804425	CLIP	875CC		1		
3	46804425	CLIP	1.4+70HP+NOTURBO, 78HP		1		
4	51846426	BRACKET	135HP, 170HP		1		
5	46817858	CLIP	135HP, 170HP		1		
6	14059218	NUT, M6	135HP, 170HP		1		
7	50517923	CLIP	105HP		1		
7	13125270	COLLAR	1.4+70HP+NOTURBO, 78HP		1		

Legend	
009	ABS
052	BAS - BRAKE ASSISTANCE SYSTEM
TCT	SPECIFIC GEARBOX
S/S	STOP&START
NOTURBO	(ASPIRATED/TURBO):EXHAUST FAN
TURBO	(ASPIRATED/TURBO):TURBO
875CC	HORSE POWER (MARKET):875
1.3D	HORSE POWER (MARKET):
1.4	HORSE POWER (MARKET):1370
1.6D	HORSE POWER (MARKET):1598

EURO5	ECOLOGY:LIM.ECC PHASE 5
EURO6	ECOLOGY:EURO 6
LHD	STEERING:LEFT
170HP	POWER:1.4 FIRE 16V TURBO MULTIAIR 170HP EURO 5
70HP	POWER:1.4 FIRE 8V 70HP EURO5-EURO6
78HP	POWER:1.4 FIRE 8V/16V 78HP EURO5
105HP	POWER:0.9 TWINAIR 105HP
135HP	POWER:1.4 FIRE 16V TURBO MULTIAIR 135 HP EURO 5
PCC510	GEARBOX DESIGN:MANUAL GEARBOX
8V	TOTAL NUMBER OF VALVES:8 VALVES
15212	New brake servo vacuum pipes for new sensor adoption [DAT 27/10/2010]

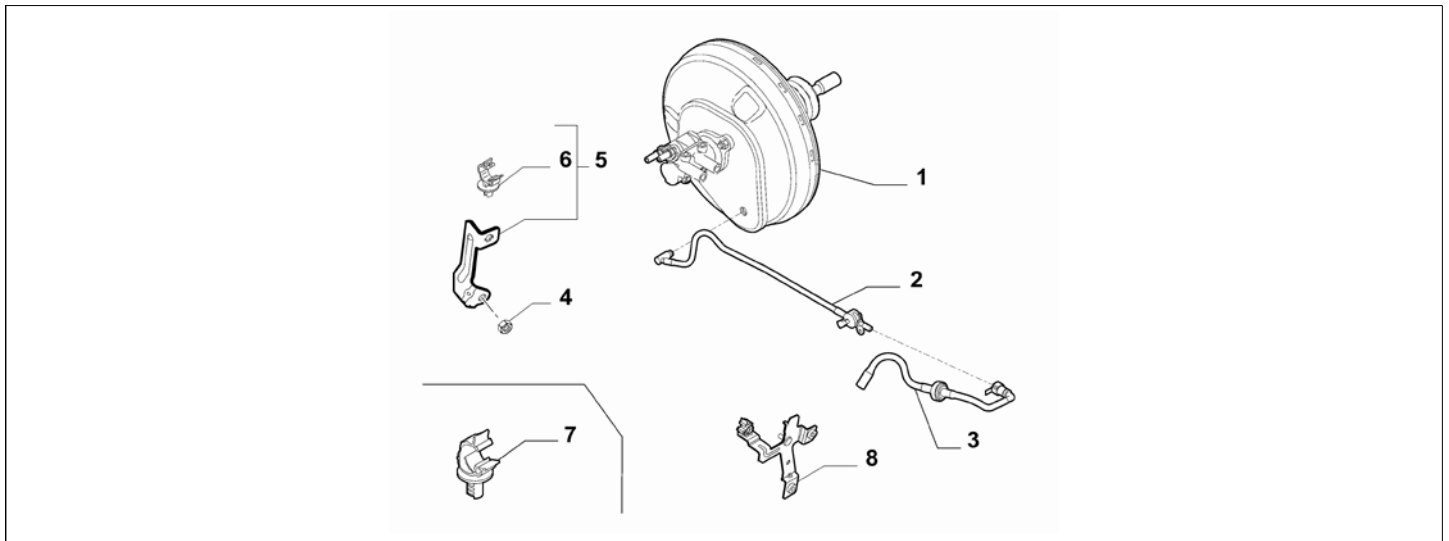
Catalogue	MITO 2013-2018	
Category	9.2 HYDRAULIC BRAKE SYSTEM	
Var.	03	RHD + IS/S
Rev.	00	



Part Num.	Description	Compatibility	Modif.	Qty	Notes	Col.	Reman.
1	51878456	POWER BRAKE	!TCT+392+4CS+NOTURBO+1.4+MYNO	1			
1	51878456	POWER BRAKE	!TCT+!4I3+392+4CS+NOTURBO+1.4+MY16	1			
1	51878456	POWER BRAKE	!TCT+!4CS+392+!4I3+NOTURBO+1.4+MY16	1			
1	51892733	POWER BRAKE	!TCT+!392+!4CS+!4I3+052+NOTURBO+1.4	1			
1	51878456	POWER BRAKE	!TCT+!4CS+!4I3+392+NOTURBO+1.4	1			
2	51855930	HOSE	1.4+8V	1			
3	51848268	HOSE	NOTURBO+1.4+70HP	1			
3	51855933	HOSE	1.4+8V	1			
4	46804425	CLIP	70HP, 78HP	1			

Legend	
052	BAS - BRAKE ASSISTANCE SYSTEM
TCT	SPECIFIC GEARBOX
392	VEHICLE DYNAMIC CONTROL (VDC)
4CS	EXTRA SERIES 1 PEDAL UNIT
4I3	AESTHETIC KIT 8
S/S	STOP&START
NOTURBO	(ASPIRATED/TURBO):EXHAUST FAN
1.4	HORSE POWER (MARKET):1370
RHD	STEERING:RIGHT
70HP	POWER:1.4 FIRE 8V 70HP EURO5-EURO6
78HP	POWER:1.4 FIRE 8V/16V 78HP EURO5
MY16	MODEL YEAR:MCA 2016
MYNO	MODEL YEAR:MISSING
8V	TOTAL NUMBER OF VALVES:8 VALVES

Catalogue	MITO 2013-2018	
Category	9.2 HYDRAULIC BRAKE SYSTEM	
Var.	04	RHD + S/S
Rev.	00	

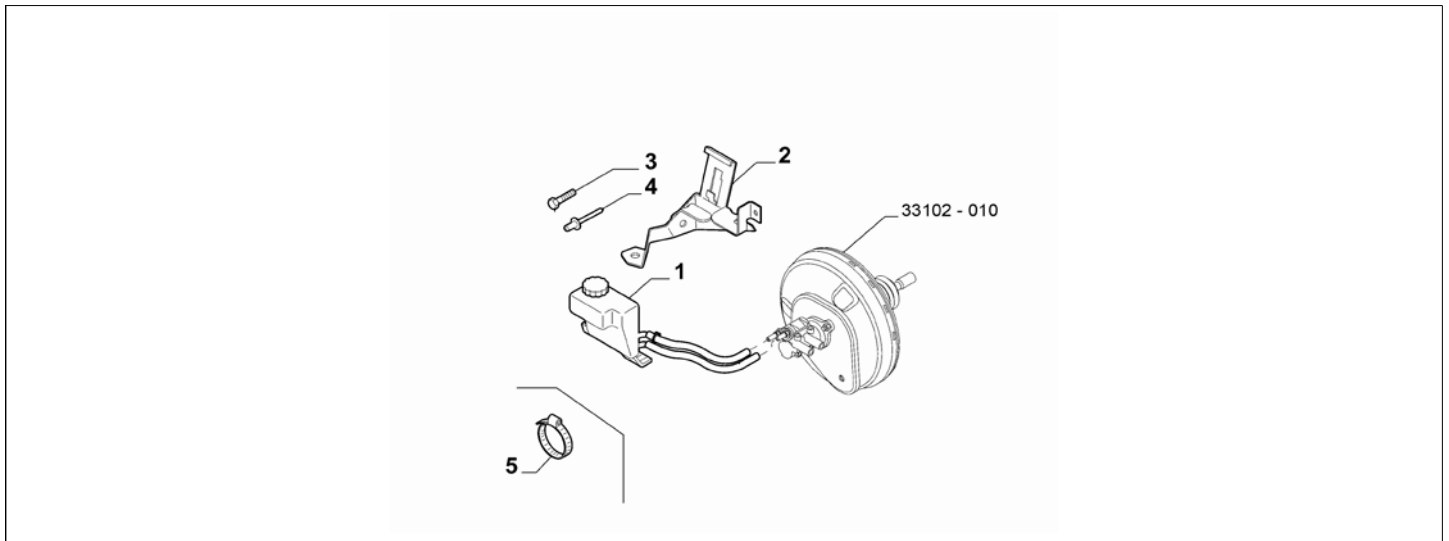


Part Num.	Description	Compatibility	Modif.	Qty	Notes	Col.	Reman.
1	51878455	POWER BRAKE	1.6D+I4CS	1			
1	51878455	POWER BRAKE	1.3D+4CS, 1.4+TURBO+ITCT+4CS	1			
1	51878455	POWER BRAKE	1.6D+4CS	1			
1	51878455	POWER BRAKE	TCT+I4CS	1			
1	51878455	POWER BRAKE	TCT+4CS	1			
1	51878456	POWER BRAKE	NOTURBO+392+I4CS	1			
1	51878456	POWER BRAKE	875CC+I4CS	1			
1	51892733	POWER BRAKE	NOTURBO+392+4CS	1			
1	51892733	POWER BRAKE	875CC+4CS	1			
1	51892733	POWER BRAKE	052+I392+I4CS	1			
1	51878455	POWER BRAKE	(1.3D, 1.4)+ITCT+392+4CS+TURBO+MY16	1			
1	51878456	POWER BRAKE	ITCT+I4I3+392+4CS+NOTURBO+1.4+MY16	1			
1	51878456	POWER BRAKE	ITCT+I4CS+392+4I3+NOTURBO+1.4+MY16	1			
1	51878456	POWER BRAKE	ITCT+I4I3+392+4CS+875CC+MY16	1			
1	51878456	POWER BRAKE	ITCT+I4CS+392+4I3+875CC+MY16	1			
1	51878455	POWER BRAKE	(1.3D, 1.4)+ITCT+I4I3+392+4CS+TURBO+MY16	1			
1	51878455	POWER BRAKE	(1.3D, 1.4)+ITCT+I4CS+392+4I3+TURBO+MY16	1			
1	51878455	POWER BRAKE	I4I3+TCT+4CS+MY16	1			
1	51878455	POWER BRAKE	I4CS+TCT+4I3+MY16	1			
2	51897631	HOSE		1			
3	51855944	HOSE	1.6D	1			
3	51855933	HOSE	1.4+8V	1			
3	50526726	HOSE	875CC	1			
3	51855941	HOSE	1.3D+EURO5+85HP	1			
3	52091861	HOSE	1.3D+EURO6	1			
3	50520333	HOSE	TURBO+1.4+135HP	1			
3	50520333	HOSE	(140HP, 170HP)+1.4	1			
4	14059218	NUT, M6	135HP, 170HP	1			
4	14059211	NUT		3			
5	51846426	BRACKET	135HP, 170HP	1			
6	46817858	CLIP	RHD	1			
7	46804425	CLIP	1.3D, 1.6D	1			
7	46804425	CLIP	135HP, 170HP	1			
7	46804425	CLIP	105HP	1			

7	46804425	CLIP	1.4+70HP+NOTURBO, 78HP		1		
7	46804425	CLIP	875CC		1		
8	51855947	BRACKET			1		

Legend	
052	BAS - BRAKE ASSISTANCE SYSTEM
TCT	SPECIFIC GEARBOX
392	VEHICLE DYNAMIC CONTROL (VDC)
4CS	EXTRA SERIES 1 PEDAL UNIT
4I3	AESTHETIC KIT 8
S/S	STOP&START
NOTURBO	(ASPIRATED/TURBO):EXHAUST FAN
TURBO	(ASPIRATED/TURBO):TURBO
875CC	HORSE POWER (MARKET):875
1.3D	HORSE POWER (MARKET):
1.4	HORSE POWER (MARKET):1370
1.6D	HORSE POWER (MARKET):1598
EURO5	ECOLOGY:LIM.ECC PHASE 5
EURO6	ECOLOGY:EURO 6
RHD	STEERING:RIGHT
140HP	POWER:1.4 16V TURBO MULTIAIR 140 HP EURO 6
170HP	POWER:1.4 FIRE 16V TURBO MULTIAIR 170HP EURO 5
70HP	POWER:1.4 FIRE 8V 70HP EURO5-EURO6
78HP	POWER:1.4 FIRE 8V/16V 78HP EURO5
85HP	POWER:1.3 SDE 85HP EURO5
105HP	POWER:0.9 TWINAIR 105HP
135HP	POWER:1.4 FIRE 16V TURBO MULTIAIR 135 HP EURO 5
MY16	MODEL YEAR:MCA 2016
8V	TOTAL NUMBER OF VALVES:8 VALVES

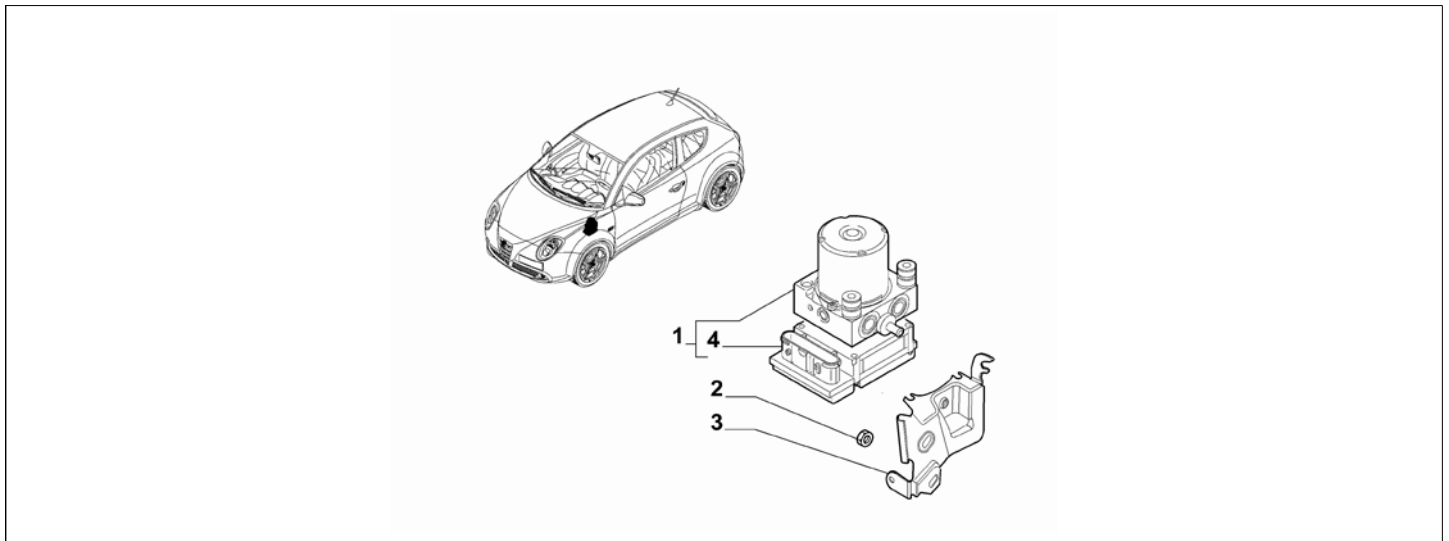
Catalogue	MITO 2013-2018	
Category	9.2 HYDRAULIC BRAKE SYSTEM	
Var.	01	RHD
Rev.	00	



Part Num.	Description	Compatibility	Modif.	Qty	Notes	Col.	Reman.
1	55701377 TANK	!TCT		1			
1	55703065 TANK	TCT		1			
2	55701378 BRACKET	1.4+NOTURBO		1			
2	55701378 BRACKET	1.6D		1			
2	55703597 BRACKET	1.4+TURBO		1			
2	55703597 BRACKET	1.3D		1			
2	55701378 BRACKET	875CC		1			
3	16286124 SCREW, M6X20			1			
4	15624411 RIVET			1			
5	13431870 COLLAR, DIAMETER 14			4			

Legend	
TCT	SPECIFIC GEARBOX
NOTURBO	(ASPIRATED/TURBO):EXHAUST FAN
TURBO	(ASPIRATED/TURBO):TURBO
875CC	HORSE POWER (MARKET):875
1.3D	HORSE POWER (MARKET):
1.4	HORSE POWER (MARKET):1370
1.6D	HORSE POWER (MARKET):1598
RHD	STEERING:RIGHT

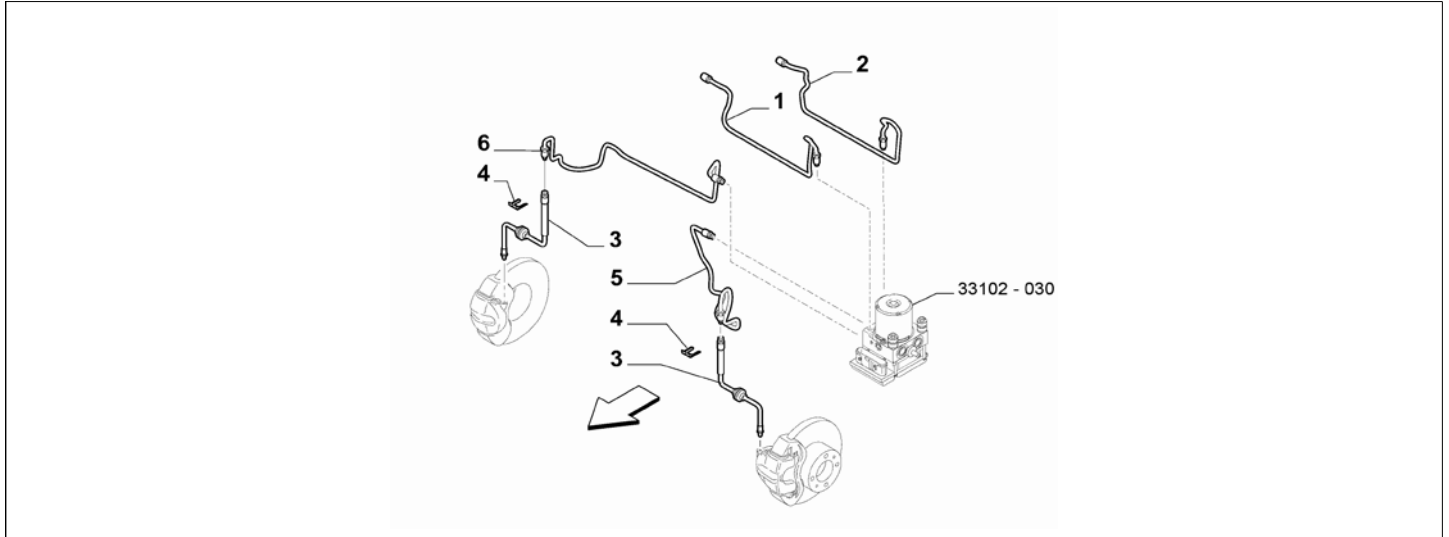
Catalogue	MITO 2013-2018	
Category	9.2 HYDRAULIC BRAKE SYSTEM	
Var.	01	
Rev.	00	



Part Num.	Description	Compatibility	Modif.	Qty	Notes	Col.	Reman.
1	71773487 PUMP	392	C18168	1			
1	71775523 PUMP	392	D18168	1			
1	71754029 PUMP	!392		1			
2	13046224 NUT, M8			3			
3	51841909 BRACKET	!392		1			
3	51841910 BRACKET	392		1			
4	71773488 ELECTRONIC CONTROL UNIT	392	C18168	1			
4	71775524 ELECTRONIC CONTROL UNIT	392	D18168	1			
4	71754030 ELECTRONIC CONTROL UNIT	!392		1			

Legend	
392	VEHICLE DYNAMIC CONTROL (VDC)
18168	SW update for proxy recognition [DAT 17/03/2014]

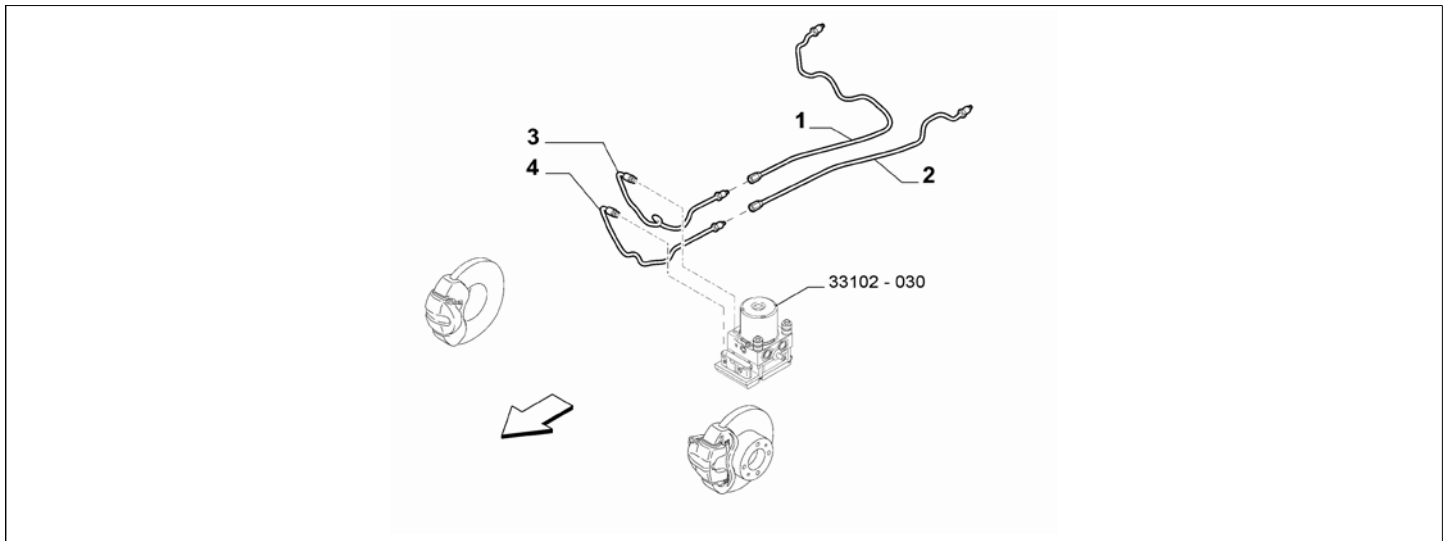
Catalogue	MITO 2013-2018	
Category	9.2 HYDRAULIC BRAKE SYSTEM	
Var.	01	
Rev.	00	



Part Num.	Description	Compatibility	Modif.	Qty	Notes	Col.	Reman.
1	51855954	PIPE	LHD+I392	1			
1	51855955	PIPE	LHD+392	1			
1	55701043	PIPE	RHD+I392	1			
1	55701044	PIPE	RHD+392	1			
2	55700101	PIPE	LHD+I392	1			
2	51796558	PIPE	LHD+392	1			
2	55701040	PIPE	RHD+I392	1			
2	55701041	PIPE	RHD+392	1			
3	51980402	PIPE	1.3D, 1.6D	1			
3	51980402	PIPE	70HP, 78HP, 1.4+120HP, 135HP	1			
3	51805325	HOSE	170HP	1			
3	51980402	PIPE	875CC	1			
4	994922	CLIP		2			
5	55700096	PIPE, LEFT		1			
6	55700109	PIPE, RIGHT	LHD	1			
6	55701042	PIPE, RIGHT	RHD	C17990	1		
6	55701042	PIPE	1.3D+RHD, 1.4+RHD, 1.6D+RHD	D17990	1		
6	51963820	PIPE	875CC+RHD	D17990	1		

Legend	
392	VEHICLE DYNAMIC CONTROL (VDC)
875CC	HORSE POWER (MARKET):875
1.3D	HORSE POWER (MARKET):
1.4	HORSE POWER (MARKET):1370
1.6D	HORSE POWER (MARKET):1598
RHD	STEERING:RIGHT
LHD	STEERING:LEFT
170HP	POWER:1.4 FIRE 16V TURBO MULTIAIR 170HP EURO 5
70HP	POWER:1.4 FIRE 8V 70HP EURO5-EURO6
78HP	POWER:1.4 FIRE 8V/16V 78HP EURO5
120HP	POWER:1.6 JTD EURO5 -1.4 FIRE TRB 120HP
135HP	POWER:1.4 FIRE 16V TURBO MULTIAIR 135 HP EURO 5
17990	New brake hydraulic control front piping [TEL X027786]

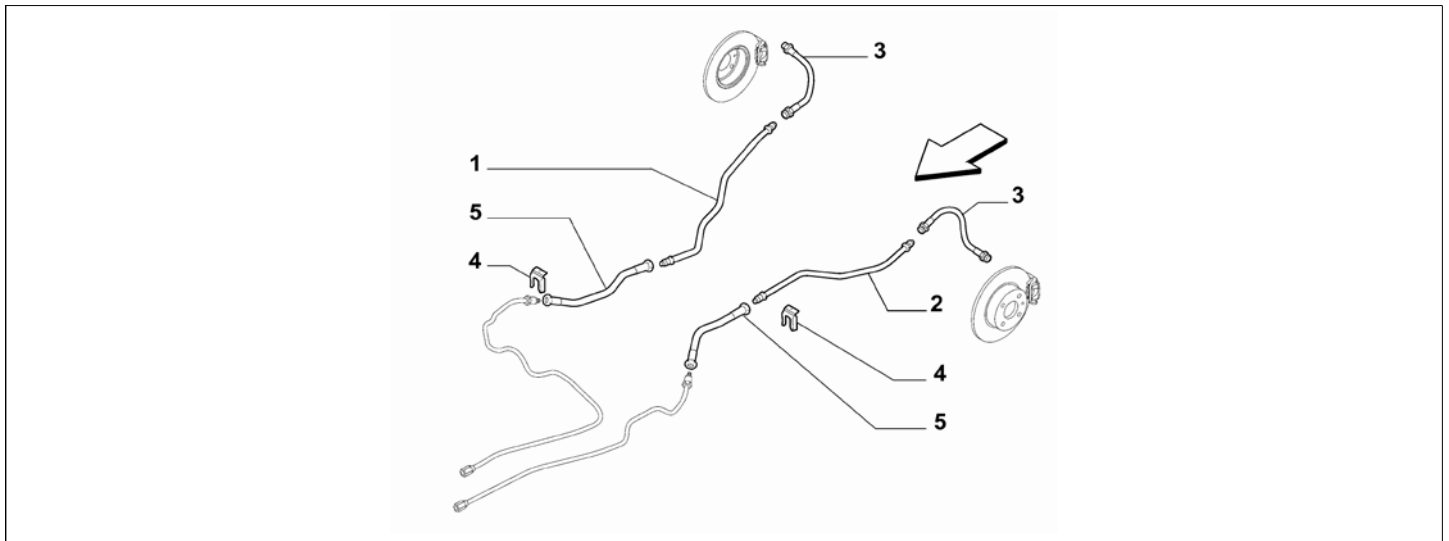
Catalogue	MITO 2013-2018	
Category	9.2 HYDRAULIC BRAKE SYSTEM	
Var.	01	
Rev.	00	



Part Num.	Description	Compatibility	Modif.	Qty	Notes	Col.	Reman.
1	51818736 PIPE, RIGHT			1			
2	55700093 PIPE, LEFT	!392		1			
2	55700093 PIPE, LEFT	392		1			
3	55700103 PIPE, RIGHT			1			
4	55700106 PIPE, LEFT			1			

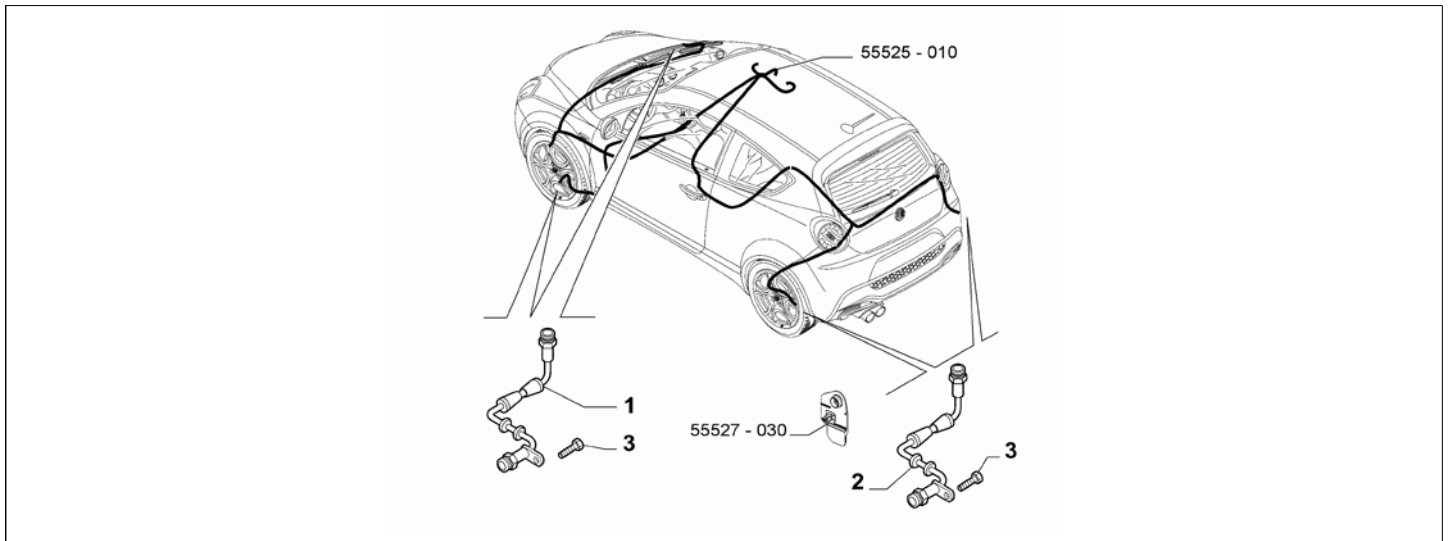
Legend	
392	VEHICLE DYNAMIC CONTROL (VDC)

Catalogue	MITO 2013-2018	
Category	9.2 HYDRAULIC BRAKE SYSTEM	
Var.	01	
Rev.	00	



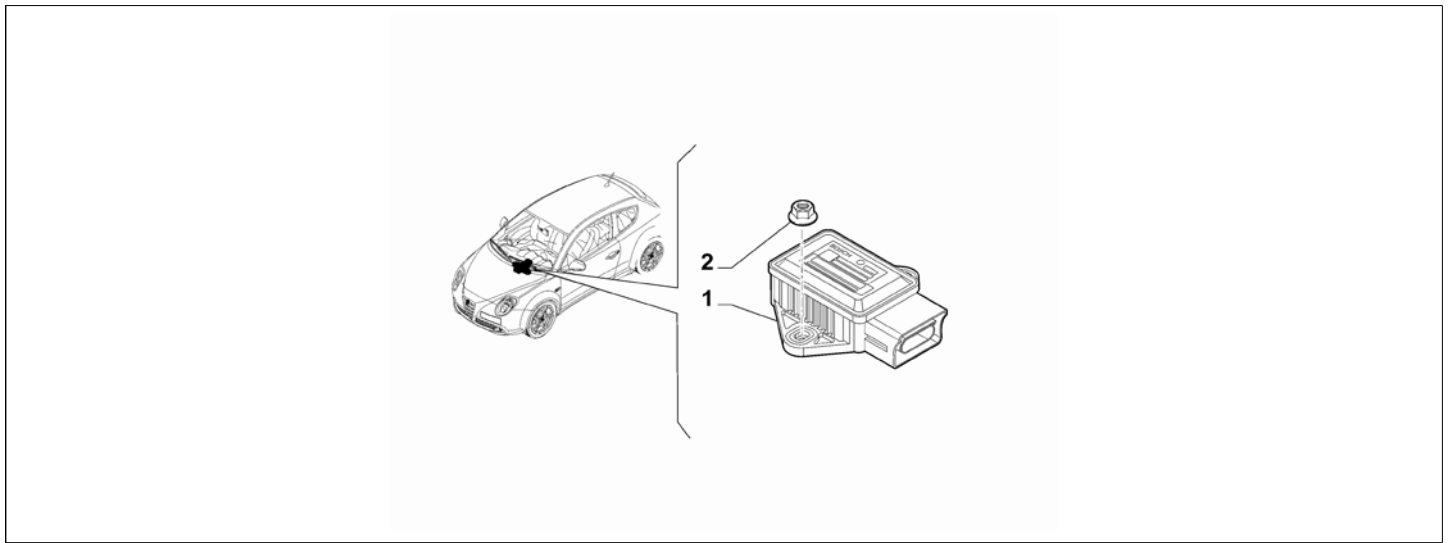
Part Num.	Description	Compatibility	Modif.	Qty	Notes	Col.	Reman.
1	55700118 PIPE, RIGHT			1			
2	55700119 PIPE, LEFT			1			
3	55700975 PIPE			2			
4	994922 CLIP			6			
5	55701046 PIPE			2			

Catalogue	MITO 2013-2018	
Category	9.2 HYDRAULIC BRAKE SYSTEM	
Var.	01	
Rev.	00	



Part Num.	Description	Compatibility	Modif.	Qty	Notes	Col.	Reman.
1	52070362 SENDING UNIT, ANTERIORE			2			
2	52070363 SENDING UNIT, REAR			2			
3	11567924 SCREW, M6X16			4			

Catalogue	MITO 2013-2018	
Category	9.2 HYDRAULIC BRAKE SYSTEM	
Var.	01	
Rev.	00	



Part Num.	Description	Compatibility	Modif.	Qty	Notes	Col.	Reman.
1	51904961 SENDING UNIT	392	C18717	1			
1	52026718 SENDING UNIT	392	D18717	1			
2	13046121 NUT, M6	392		3			

Legend	
392	VEHICLE DYNAMIC CONTROL (VDC)
18717	New yaw sensor [DAT 15/07/2015]