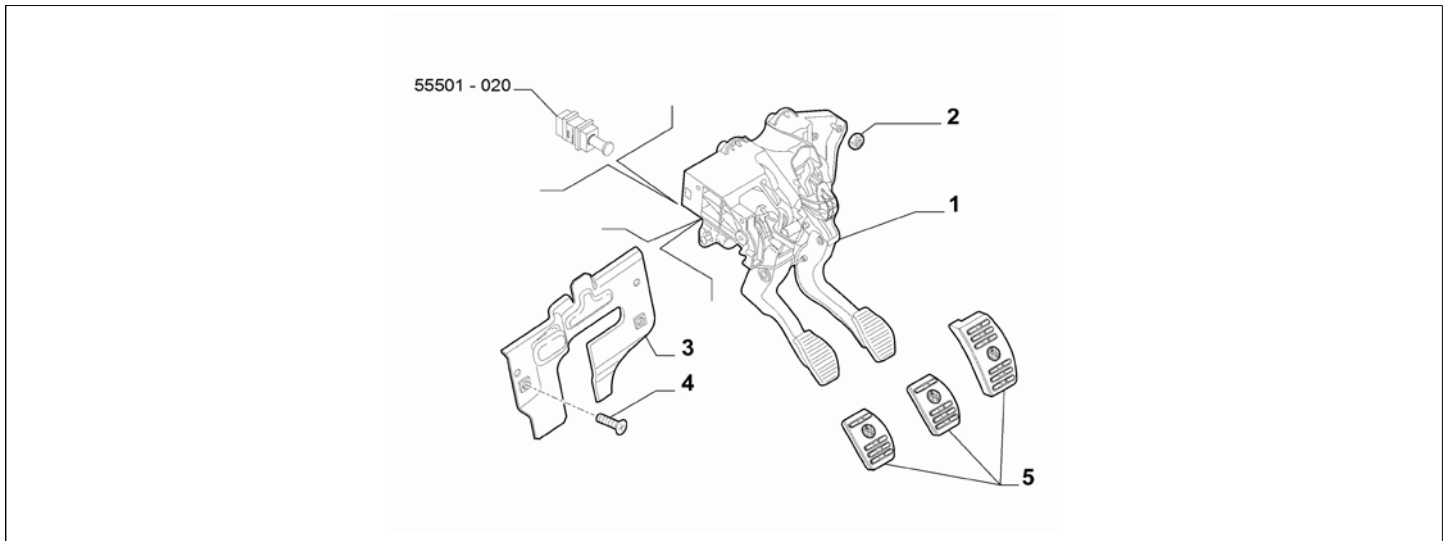


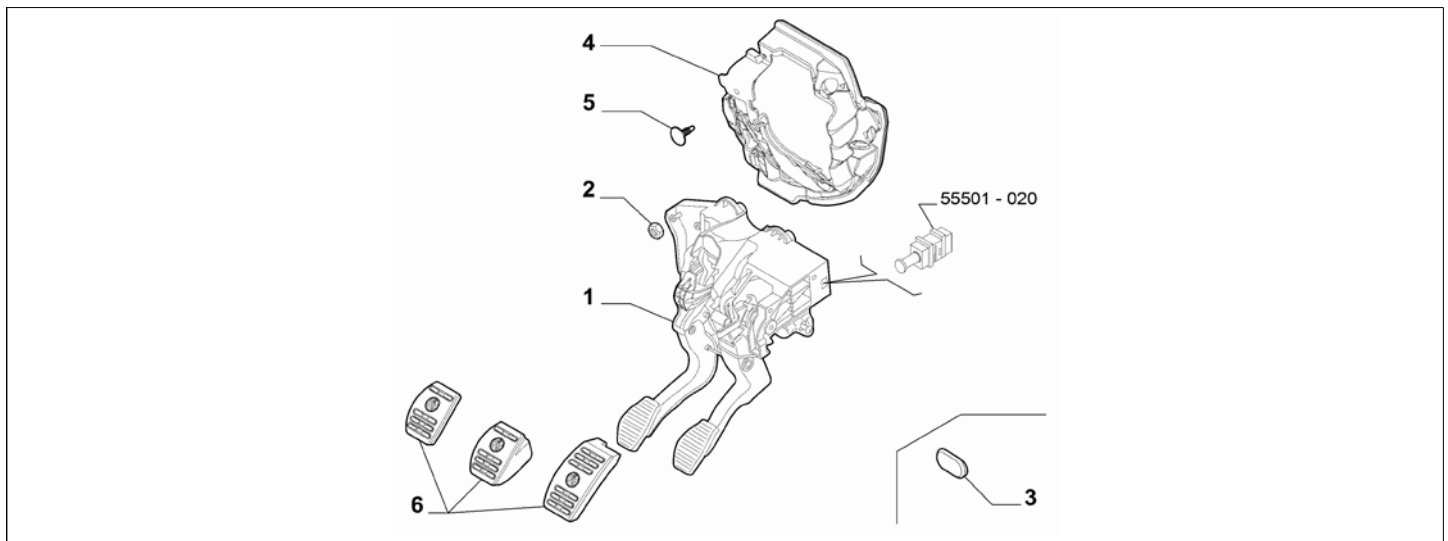
Catalogue	MITO 2013-2018	
Category	9.1 FOOT BRAKE CONTROL	
Var.	01	LHD
Rev.	00	



Part Num.	Description	Compatibility	Modif.	Qty	Notes	Col.	Reman.
1	50508967	RUDDER BAR	I4CS+(1.3D, 1.6D, ITCT+1.4)	1			
1	50508967	RUDDER BAR	875CC+I4CS	1			
1	50509132	RUDDER BAR	I4CS+I4I3+875CC+MY16	1			
1	50509132	RUDDER BAR	I4I3+4CS+875CC+MY16	1			
1	50509132	RUDDER BAR	(1.3D, 1.4, 1.6D)+ITCT+I4CS+I4I3+MY16	1			
1	50509132	RUDDER BAR	(1.3D, 1.4, 1.6D)+ITCT+I4I3+4CS+MY16	1			
1	51830223	RUDDER BAR	TCT+4CS+MYNO	1			
1	51830223	RUDDER BAR	I4CS+I4I3+TCT	1			
1	51830223	RUDDER BAR	I4I3+TCT+4CS+MY16	1			
1	51830223	RUDDER BAR	I4CS+TCT+I4I3+MY16	1			
2	12578211	NUT, M8	ITCT	6			
3	55701131	BRACKET		1			
4	811900013	SCREW, M8X20		2			
5	50540588	PLATTEN-KIT	I4CS+I4I3+875CC+MY16	1			
5	50540588	PLATTEN-KIT	I4I3+4CS+875CC+MY16	1			
5	50540588	PLATTEN-KIT	(1.3D, 1.4, 1.6D)+ITCT+I4CS+I4I3+MY16	1			
5	50540588	PLATTEN-KIT	(1.3D, 1.4, 1.6D)+ITCT+I4I3+4CS+MY16	1			
5	50540591	PLATTEN-KIT	I4CS+TCT+I4I3+MY16	1			
5	50540591	PLATTEN-KIT	I4I3+TCT+4CS+MY16	1			
5	50509132	RUDDER BAR	ITCT+4CS+MYNO+(1.3D, 1.4, 1.6D)	1			
5	50509132	RUDDER BAR	4CS+875CC+MYNO	1			
5	50513729	PLATTEN-KIT	ITCT+4CS+MYNO+(1.3D, 1.4, 1.6D)	1			
5	50513729	PLATTEN-KIT	4CS+875CC+MYNO	1			

Legend	
TCT	SPECIFIC GEARBOX
4CS	EXTRA SERIES 1 PEDAL UNIT
I4I3	AESTHETIC KIT 8
875CC	HORSE POWER (MARKET):875
1.3D	HORSE POWER (MARKET):
1.4	HORSE POWER (MARKET):1370
1.6D	HORSE POWER (MARKET):1598
LHD	STEERING:LEFT
MY16	MODEL YEAR:MCA 2016
MYNO	MODEL YEAR:MISSING

Catalogue	MITO 2013-2018	
Category	9.1 FOOT BRAKE CONTROL	
Var.	02	RHD
Rev.	00	



Part Num.	Description	Compatibility	Modif.	Qty	Notes	Col.	Reman.
1	51951745	RUDDER BAR	!TCT+!4CS+!4I3+392+TURBO+1.6D		1		
1	51951745	RUDDER BAR	(1.3D, 1.4)+!TCT+!4CS+!4I3+392+TURBO		1		
1	50529087	RUDDER BAR	!TCT+392+4CS+NOTURBO+1.4+MYNO		1		
1	50529087	RUDDER BAR	!TCT+392+4CS+875CC+MYNO		1		
1	50529087	RUDDER BAR	(1.3D, 1.4)+!TCT+392+4CS+TURBO+MYNO		1		
1	50529087	RUDDER BAR	!TCT+392+4CS+TURBO+1.6D		1		
1	51952155	RUDDER BAR	!4CS+!4I3+TCT		1		
1	50529093	RUDDER BAR	TCT+4CS+MYNO		1		
1	50529087	RUDDER BAR	!TCT+!4I3+392+4CS+NOTURBO+1.4+MY16		1		
1	50529087	RUDDER BAR	!TCT+!4CS+392+4I3+NOTURBO+1.4+MY16		1		
1	50529087	RUDDER BAR	!TCT+!4I3+392+4CS+875CC+MY16		1		
1	50529087	RUDDER BAR	!TCT+!4CS+392+4I3+875CC+MY16		1		
1	50529093	RUDDER BAR	!4I3+TCT+4CS+MY16		1		
1	50529093	RUDDER BAR	!4CS+TCT+4I3+MY16		1		
1	50529087	RUDDER BAR	(1.3D, 1.4)+!TCT+!4I3+392+4CS+TURBO+MY16		1		
1	50529087	RUDDER BAR	(1.3D, 1.4)+!TCT+!4CS+392+4I3+TURBO+MY16		1		
1	51951745	RUDDER BAR	!TCT+!392+!4CS+!4I3+052+NOTURBO+1.4		1		
1	51951745	RUDDER BAR	!TCT+!4CS+!4I3+392+NOTURBO+1.4		1		
1	51951745	RUDDER BAR	!TCT+!4CS+!4I3+392+875CC		1		
2	12578211	NUT	!TCT		5		
2	12578211	NUT	TCT		9		
3	55703483	PLUG, 40X72	TCT		1		
4	51789749	LINING	!TCT+392+4CS+TURBO+1.6D		1		
4	51789749	LINING	!TCT+!4CS+!4I3+392+TURBO+1.6D		1		
5	51789750	BUTTON	!TCT+392+4CS+TURBO+1.6D		3		
5	51789750	BUTTON	!TCT+!4CS+!4I3+392+TURBO+1.6D		3		
6	50513640	PLATTEN-KIT	!TCT+392+4CS+NOTURBO+1.4+MYNO		1		
6	50513640	PLATTEN-KIT	!TCT+392+4CS+875CC+MYNO		1		
6	50513640	PLATTEN-KIT	(1.3D, 1.4)+!TCT+392+4CS+TURBO+MYNO		1		
6	50513640	PLATTEN-KIT	!TCT+392+4CS+TURBO+1.6D		1		
6	50517119	PLATTEN-KIT	TCT+4CS+MYNO		1		
6	50540589	PLATTEN-KIT	!TCT+!4I3+392+4CS+NOTURBO+1.4+MY16		1		
6	50540589	PLATTEN-KIT	!TCT+!4CS+392+4I3+875CC+MY16		1		
6	50540589	PLATTEN-KIT	!TCT+!4I3+392+4CS+875CC+MY16		1		

6	50540589	PLATTEN-KIT	!TCT+!4CS+392+4!3+NOTURBO+1.4+MY16		1		
6	50540590	PLATTEN-KIT	!4!3+TCT+4CS+MY16		1		
6	50540590	PLATTEN-KIT	!4CS+TCT+4!3+MY16		1		
6	50540589	PLATTEN-KIT	(1.3D, 1.4)+!TCT+!4!3+392+4CS+TURBO+MY16		1		
6	50540589	PLATTEN-KIT	(1.3D, 1.4)+!TCT+!4CS+392+4!3+TURBO+MY16		1		

Legend	
052	BAS - BRAKE ASSISTANCE SYSTEM
TCT	SPECIFIC GEARBOX
392	VEHICLE DYNAMIC CONTROL (VDC)
4CS	EXTRA SERIES 1 PEDAL UNIT
4!3	AESTHETIC KIT 8
NOTURBO	(ASPIRATED/TURBO):EXHAUST FAN
TURBO	(ASPIRATED/TURBO):TURBO
875CC	HORSE POWER (MARKET):875
1.3D	HORSE POWER (MARKET):
1.4	HORSE POWER (MARKET):1370
1.6D	HORSE POWER (MARKET):1598
RHD	STEERING:RIGHT
MY16	MODEL YEAR:MCA 2016
MYNO	MODEL YEAR:MISSING