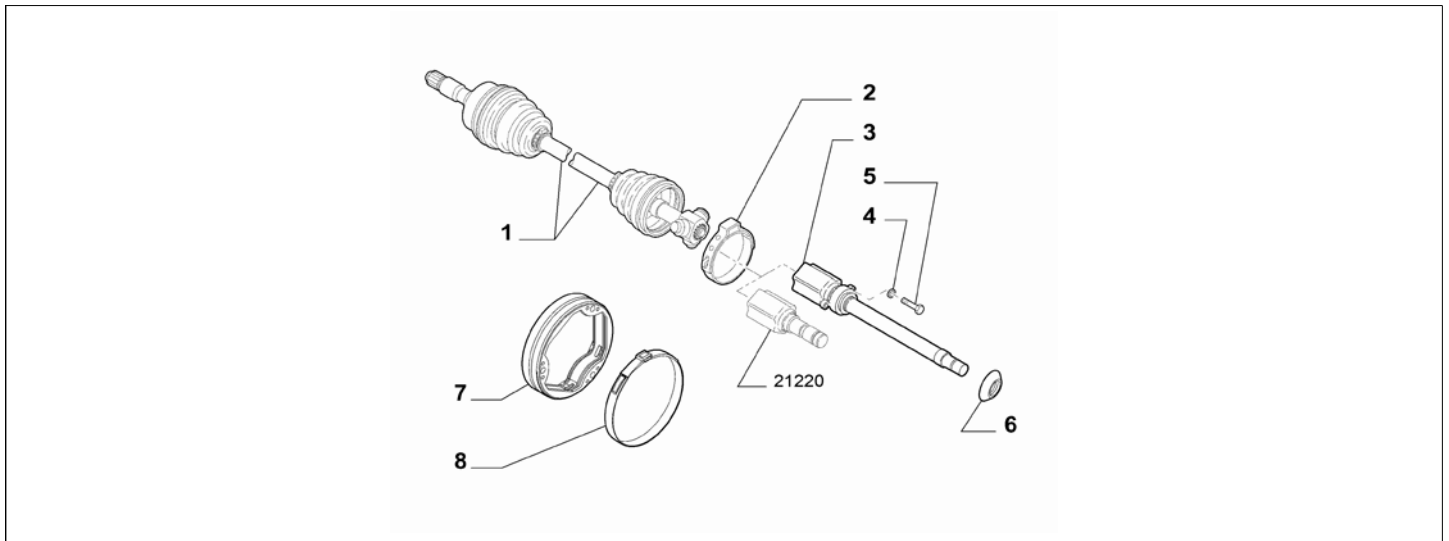


Catalogue	MITO 2013-2018	
Category	8.2 AXLE SHAFTS	
Var.	01	
Rev.	00	

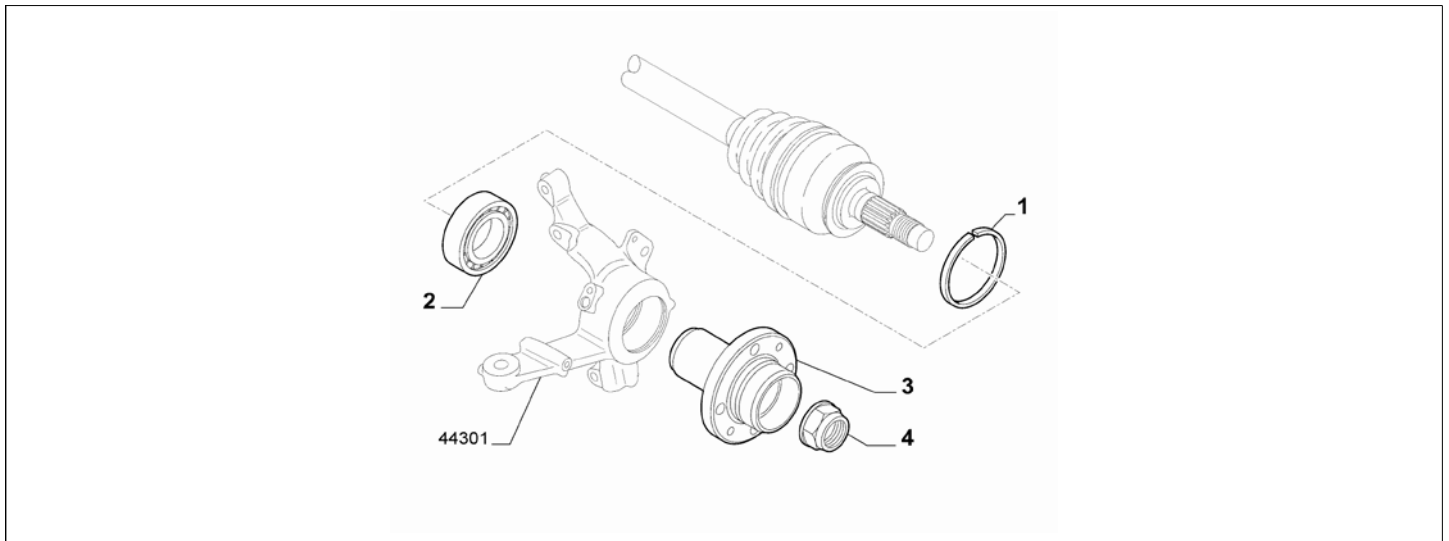


Part Num.	Description	Compatibility	Modif.	Qty	Notes	Col.	Reman.
1	50515474	SHAFT	1.4+PCC635+ITCT, 1.6D		2		
1	50515480	SHAFT, RIGHT	TCT		1		71794372
1	50515481	SHAFT, LEFT	TCT		1		71794375
1	51947023	SHAFT	1.4+PCC510		2		
1	51947021	SHAFT, RIGHT	70HP, 78HP		1		71796831
1	51947026	SHAFT, LEFT	70HP, 78HP		1		71795377
1	51947024	SHAFT, RIGHT	1.3D		1		
1	51947028	SHAFT, LEFT	1.3D		1		
1	51947025	SHAFT, RIGHT	875CC		1		
1	51947029	SHAFT, LEFT	875CC		1		
2	51852117	COLLAR	NOTURBO		2		
2	51852117	COLLAR	875CC		2		
3	55207526	SHAFT, RIGHT	1.4+PCC510		1		
3	55214684	SHAFT, RIGHT	PCC635+ITCT		1		
3	55228822	SHAFT, RIGHT	TCT		1		
3	55209968	SHAFT, RIGHT	1.3D+EURO5+PCC510		1		
3	55209968	SHAFT, RIGHT	1.3D+EURO6+PCC510		1		
4	14499401	PLANE WASHER	1.6D		3		
4	14499401	PLANE WASHER	1.4+PCC635		3		
4	11194379	LOCK WASHER	(120HP, 135HP)+TURBO+1.4+PCC510		3		
4	11194379	LOCK WASHER	1.3D+EURO5+PCC510		3		
4	11194379	LOCK WASHER	1.3D+EURO6+PCC510		3		
5	14306824	SCREW	1.6D		3		
5	14359324	SCREW	1.4+PCC635		3		
5	10903624	SCREW	(120HP, 135HP)+TURBO+1.4+PCC510		3		
5	10903624	SCREW	1.3D+EURO5+PCC510		3		
5	10903624	SCREW	1.3D+EURO6+PCC510		3		
6	46527403	PROTECTION, RIGHT	PCC510		1		
7	46308572	ADAPTER	1.4+PCC635, 1.6D		2		
7	51887961	ADAPTER	PCC510		2		
8	46308573	COLLAR	1.4+PCC635, 1.6D		2		
8	46308685	COLLAR	PCC510		2		

Legend	
TCT	SPECIFIC GEARBOX

NOTURBO	(ASPIRATED/TURBO):EXHAUST FAN
TURBO	(ASPIRATED/TURBO):TURBO
875CC	HORSE POWER (MARKET):875
1.3D	HORSE POWER (MARKET):
1.4	HORSE POWER (MARKET):1370
1.6D	HORSE POWER (MARKET):1598
EURO5	ECOLOGY:LIM.ECC PHASE 5
EURO6	ECOLOGY:EURO 6
70HP	POWER:1.4 FIRE 8V 70HP EURO5-EURO6
78HP	POWER:1.4 FIRE 8V/16V 78HP EURO5
120HP	POWER:1.6 JTD EURO5 -1.4 FIRE TRB 120HP
135HP	POWER:1.4 FIRE 16V TURBO MULTIAIR 135 HP EURO 5
PCC510	GEARBOX DESIGN:MANUAL GEARBOX
PCC635	GEARBOX DESIGN:GEARBOX 35 KGM

Catalogue	MITO 2013-2018	
Category	8.2 AXLE SHAFTS	
Var.	01	
Rev.	00	



Part Num.	Description	Compatibility	Modif.	Qty	Notes	Col.	Reman.
1	7669120	LOCKRING		2			
2	71745046	BEARING	NOTURBO	2			
2	71745047	BEARING	1.3D, 1.4+TURBO, 1.6D	2			
2	71745046	BEARING	875CC	2			
3	51881464	HUB	NOTURBO	2			
3	51881465	HUB	1.3D, 1.4+TURBO, 1.6D	2			
3	51881464	HUB	875CC	2			
4	46541344	NUT	1.4+TURBO	2			
4	46541344	NUT	1.3D, 1.6D	2			
4	7759428	NUT	NOTURBO	2			
4	7759428	NUT	875CC	2			

Legend	
NOTURBO	(ASPIRATED/TURBO):EXHAUST FAN
TURBO	(ASPIRATED/TURBO):TURBO
875CC	HORSE POWER (MARKET):875
1.3D	HORSE POWER (MARKET):
1.4	HORSE POWER (MARKET):1370
1.6D	HORSE POWER (MARKET):1598