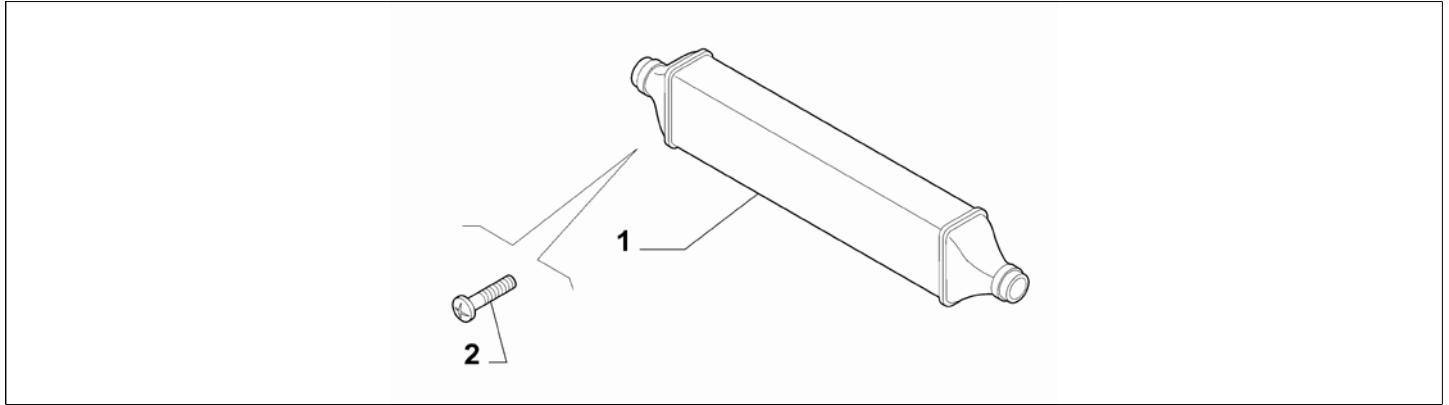


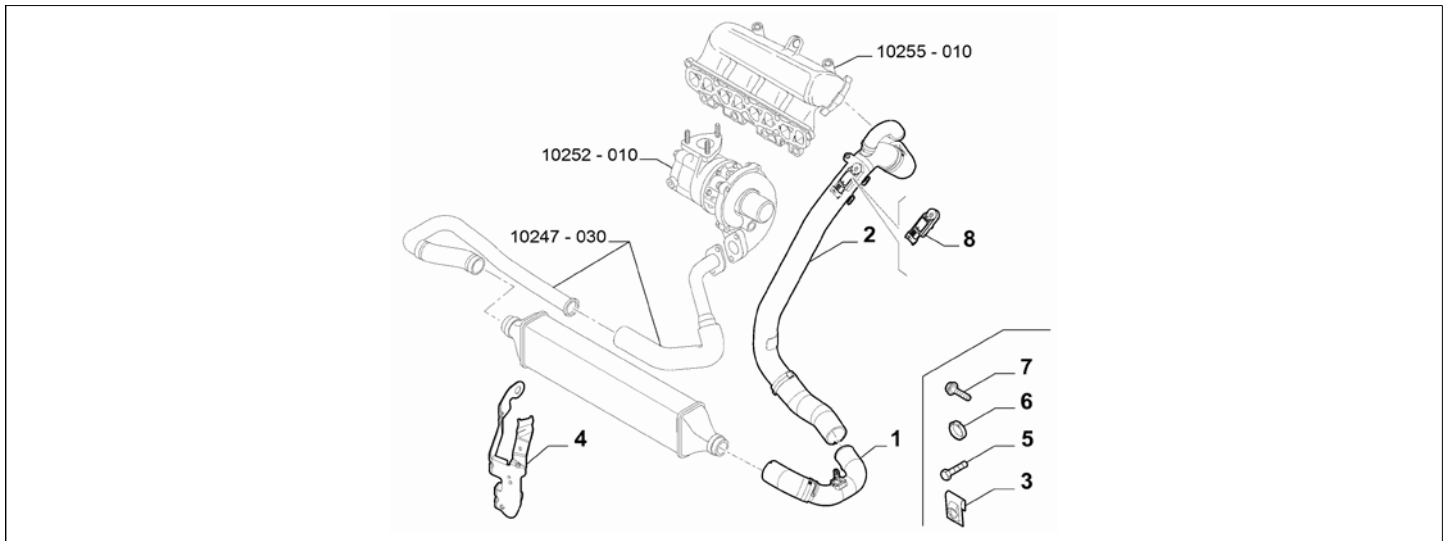
Catalogue	MITO 2013-2018	
Category	3.8 HEAT EXCHANGER PIPELINE	
Var.	01	
Rev.	00	



Part Num.	Description	Compatibility	Modif.	Qty	Notes	Col.	Reman.
1	51837369	HEAT EXCHANGER	1.3D+EURO5+(025, 140)		1		
1	50540161	HEAT EXCHANGER	1.3D+EURO6+(025, 140)		1		
1	51783791	HEAT EXCHANGER	1.4+TURBO, 1.6D		1		
1	51783791	HEAT EXCHANGER	875CC+1025+1140		1		
1	51783791	HEAT EXCHANGER	875CC+025+1140		1		
1	51783791	HEAT EXCHANGER	875CC+140		1		
1	50539338	HEAT EXCHANGER	(140HP, 170HP)+1140+025+4MJ+TURBO+1.4+MY16		1		
1	50539338	HEAT EXCHANGER	(140HP, 170HP)+140+4MJ+TURBO+1.4+MY16		1		
1	50539338	HEAT EXCHANGER	!140+14MJ+!5SF+025+TURBO+1.4+135HP+MY16		1		
1	50539338	HEAT EXCHANGER	!4MJ+!5SF+140+TURBO+1.4+135HP+MY16		1		
1	50539338	HEAT EXCHANGER	!140+025+TURBO+1.4+120HP+MY16		1		
1	50539338	HEAT EXCHANGER	140+TURBO+1.4+120HP+MY16		1		
1	50539338	HEAT EXCHANGER	!140+025+4MJ+5SF+TURBO+1.4+135HP+MY16		1		
1	50539338	HEAT EXCHANGER	!140+14MJ+025+5SF+TURBO+1.4+135HP+MY16		1		
1	50539338	HEAT EXCHANGER	!4MJ+140+5SF+TURBO+1.4+135HP+MY16		1		
1	50539338	HEAT EXCHANGER	!5SF+140+4MJ+TURBO+1.4+135HP+MY16		1		
1	50539338	HEAT EXCHANGER	140+4MJ+5SF+TURBO+1.4+135HP+MY16		1		
1	50539338	HEAT EXCHANGER	!140+!5SF+025+4MJ+TURBO+1.4+135HP+MY16		1		
1	50539338	HEAT EXCHANGER	140+875CC+MY16		1		
1	50539338	HEAT EXCHANGER	!140+025+875CC+MY16		1		
2	15699804	SCREW			3		

Legend	
025	AIR CONDITIONER 1
140	CLIMATE CONTROL 2
4MJ	SPECIFIC FOR LIGHT TROPICAL MARKET
5SF	SPECIFIC FOR SASO MARKET
TURBO	(ASPIRATED/TURBO):TURBO
875CC	HORSE POWER (MARKET):875
1.3D	HORSE POWER (MARKET):
1.4	HORSE POWER (MARKET):1370
1.6D	HORSE POWER (MARKET):1598
EURO5	ECOLOGY:LIM.ECC PHASE 5
EURO6	ECOLOGY:EURO 6
140HP	POWER:1.4 16V TURBO MULTIAIR 140 HP EURO 6
170HP	POWER:1.4 FIRE 16V TURBO MULTIAIR 170HP EURO 5
120HP	POWER:1.6 JTD EURO5 -1.4 FIRE TRB 120HP
135HP	POWER:1.4 FIRE 16V TURBO MULTIAIR 135 HP EURO 5
MY16	MODEL YEAR:MCA 2016

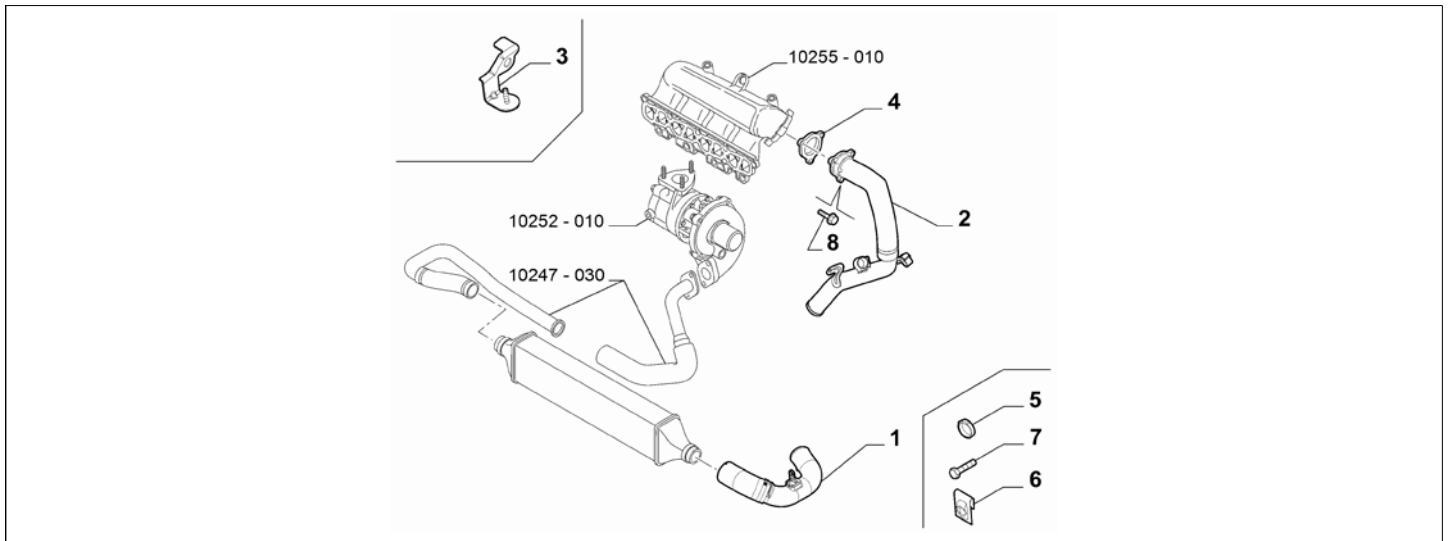
Catalogue	MITO 2013-2018	
Category	3.8 HEAT EXCHANGER PIPELINE	
Var.	01	875CC
Rev.	00	



Part Num.	Description	Compatibility	Modif.	Qty	Notes	Col.	Reman.
1	51908731 SLEEVE		C18738	1			
1	50542661 SLEEVE		D18738	1			
2	51908728 SLEEVE	85HP		1			
2	50530103 SLEEVE	105HP		1			
3	14189071 BRACKET			1			
4	55245619 BRACKET			1			
5	18750624 SCREW, M6X25			1			
6	13097290 COLLAR, DIAMETER 35			2			
6	71714117 COLLAR, DIAMETER 50-70			1			
6	11083570 COLLAR			1			
7	18751721 SCREW	875CC		3			
8	55219295 SENDING UNIT	85HP		1			

Legend	
875CC	HORSE POWER (MARKET):875
85HP	POWER:1.3 SDE 85HP EURO5
105HP	POWER:0.9 TWINAIR 105HP
18738	new air outlet sleeve [DAT 08/06/2015]

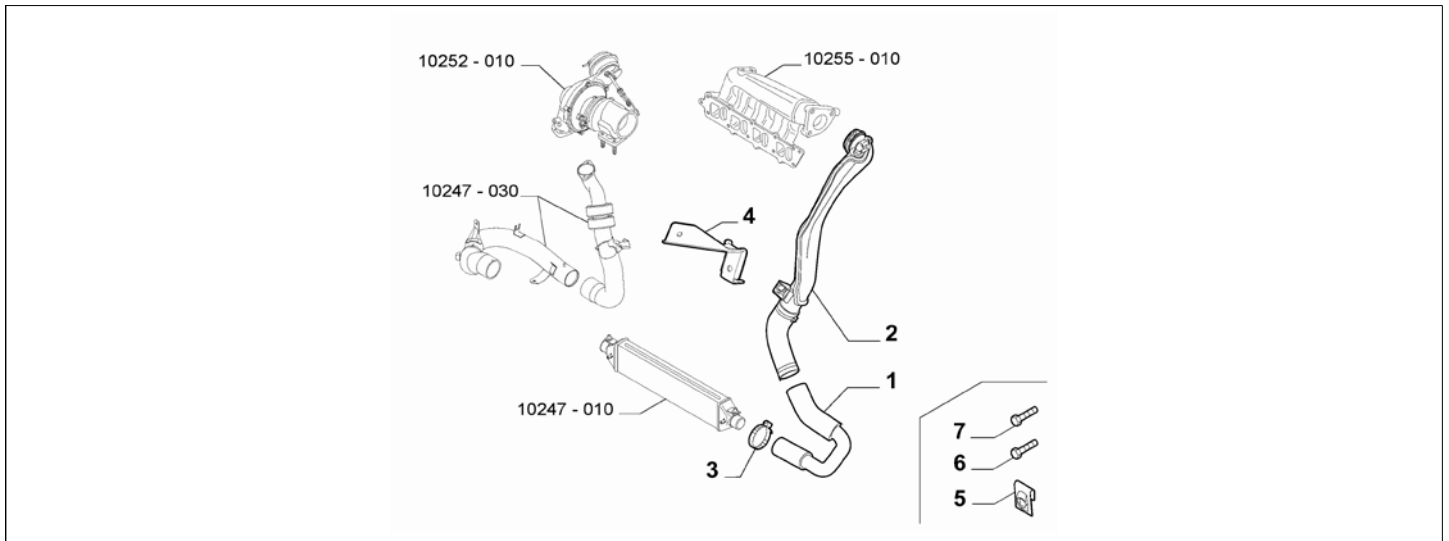
Catalogue	MITO 2013-2018	
Category	3.8 HEAT EXCHANGER PIPELINE	
Var.	02	1.3D
Rev.	00	



Part Num.	Description	Compatibility	Modif.	Qty	Notes	Col.	Reman.
1	51878740 SLEEVE	EURO5		1			
1	50539809 SLEEVE	EURO6		1			
2	51816510 SLEEVE	EURO5		1			
2	50539810 PIPE	EURO6		1			
3	55218323 BRACKET			1			
4	14464586 SEAL GASKET			1			
5	71714115 COLLAR, DIAM.30-45			1			
5	71714117 COLLAR, DIAM.50-70			1			
6	14189071 BRACKET			1			
7	18750624 SCREW			1			
8	16388824 SCREW			2			

Legend	
1.3D	HORSE POWER (MARKET):
EURO5	ECOLOGY:LIM.ECC PHASE 5
EURO6	ECOLOGY:EURO 6

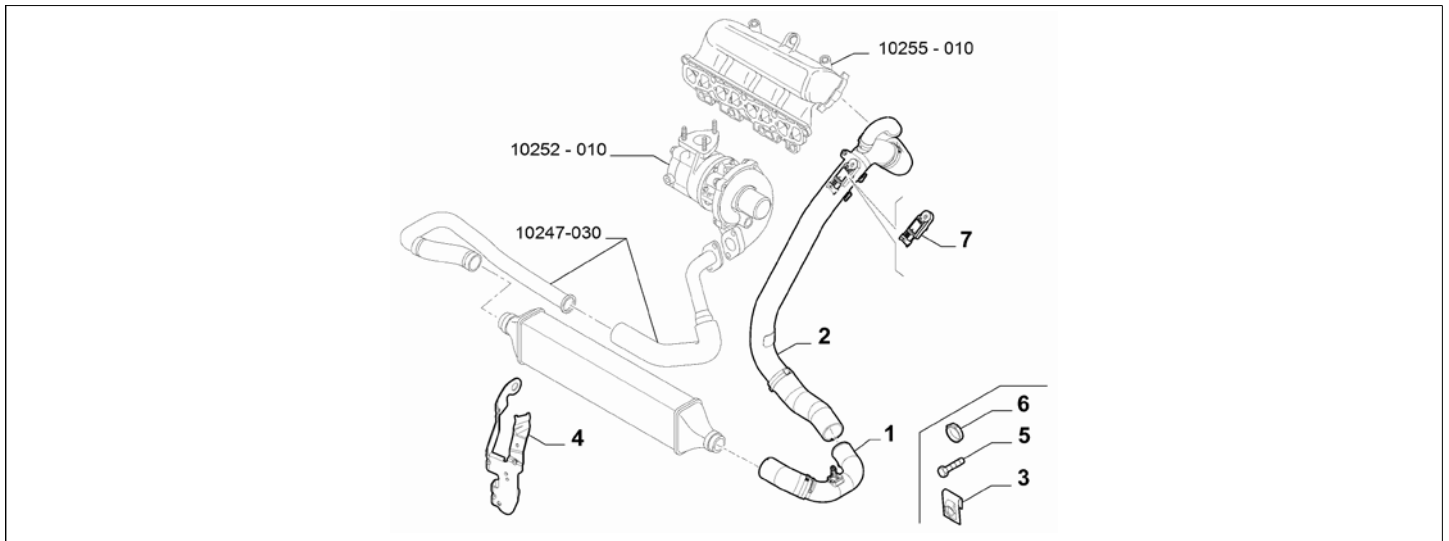
Catalogue	MITO 2013-2018	
Category	3.8 HEAT EXCHANGER PIPELINE	
Var.	03	1.6D
Rev.	00	



Part Num.	Description	Compatibility	Modif.	Qty	Notes	Col.	Reman.
1	50518982 SLEEVE			1			
2	50518304 SLEEVE			1			
3	71714117 COLLAR, DIAMETER 50-70			2			
4	55230694 BRACKET			1			
5	14189071 BRACKET			1			
6	18750624 SCREW			1			
7	16388824 SCREW	1.6D		2			

Legend	
1.6D	HORSE POWER (MARKET):1598

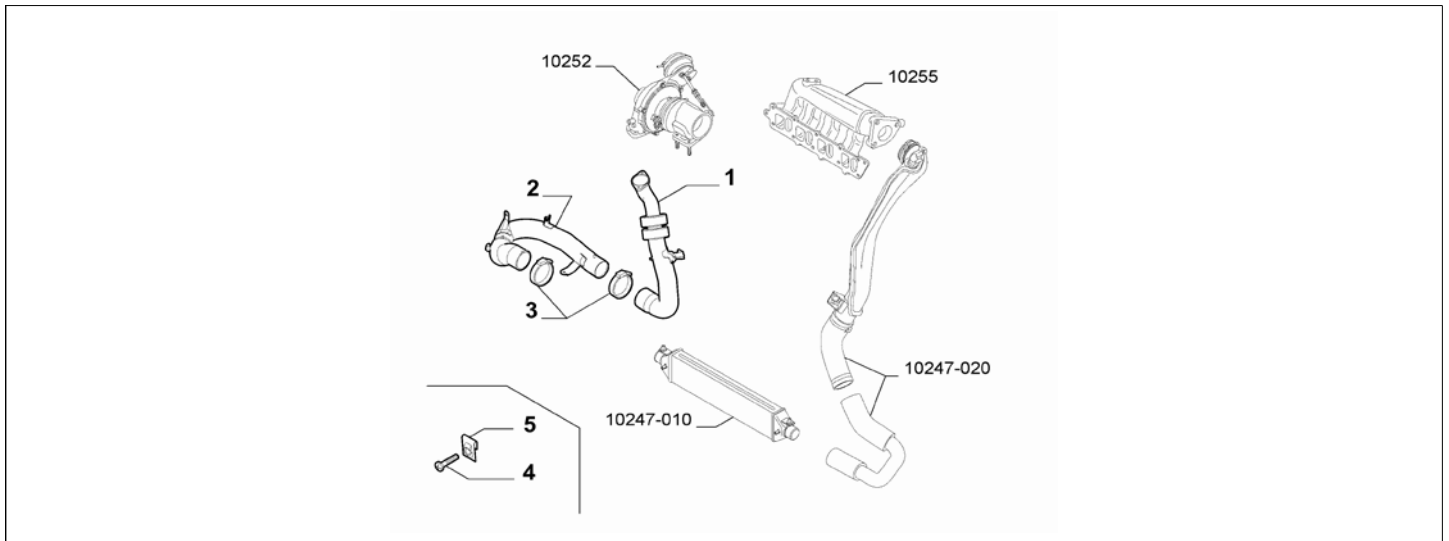
Catalogue	MITO 2013-2018	
Category	3.8 HEAT EXCHANGER PIPELINE	
Var.	04	1.4
Rev.	00	



Part Num.	Description	Compatibility	Modif.	Qty	Notes	Col.	Reman.
1	50518982 SLEEVE	135HP, 170HP		1			
1	51825661 SLEEVE	120HP		1			
2	50519424 SLEEVE	135HP+PCC510		1			
2	50519425 SLEEVE	PCC635+ITCT		1			
2	50519426 SLEEVE	TCT		1			
2	51825650 SLEEVE	120HP+EURO5		1			
2	50542874 SLEEVE	120HP+EURO6		1			
3	14189071 BRACKET			1			
4	55245619 BRACKET			1			
4	55226799 BRACKET	135HP+TURBO+PCC510	C20663	1			
4	55259552 BRACKET	135HP+TURBO+PCC510	D20663	1			
5	18750624 SCREW, M6X25			1			
6	13097290 COLLAR, DIAMETER 35			2			
6	71714117 COLLAR, DIAMETER 50-70			1			
6	11083570 COLLAR			1			
7	55219295 SENDING UNIT	135HP+PCC510		1			
7	55219295 SENDING UNIT	PCC635+ITCT		1			
7	55219295 SENDING UNIT	TCT		1			
7	55219294 SENDING UNIT	120HP+EURO5		1			
7	55219295 SENDING UNIT	120HP+EURO6		1			

Legend	
TCT	SPECIFIC GEARBOX
TURBO	(ASPIRATED/TURBO):TURBO
1.4	HORSE POWER (MARKET):1370
EURO5	ECOLOGY:LIM.ECC PHASE 5
EURO6	ECOLOGY:EURO 6
170HP	POWER:1.4 FIRE 16V TURBO MULTIAIR 170HP EURO 5
120HP	POWER:1.6 JTD EURO5 -1.4 FIRE TRB 120HP
135HP	POWER:1.4 FIRE 16V TURBO MULTIAIR 135 HP EURO 5
PCC510	GEARBOX DESIGN:MANUAL GEARBOX
PCC635	GEARBOX DESIGN:GEARBOX 35 KGM
20663	NEW INTERCOOLER TUBE SUPPORT BRACKET [DAT 09/12/2016]

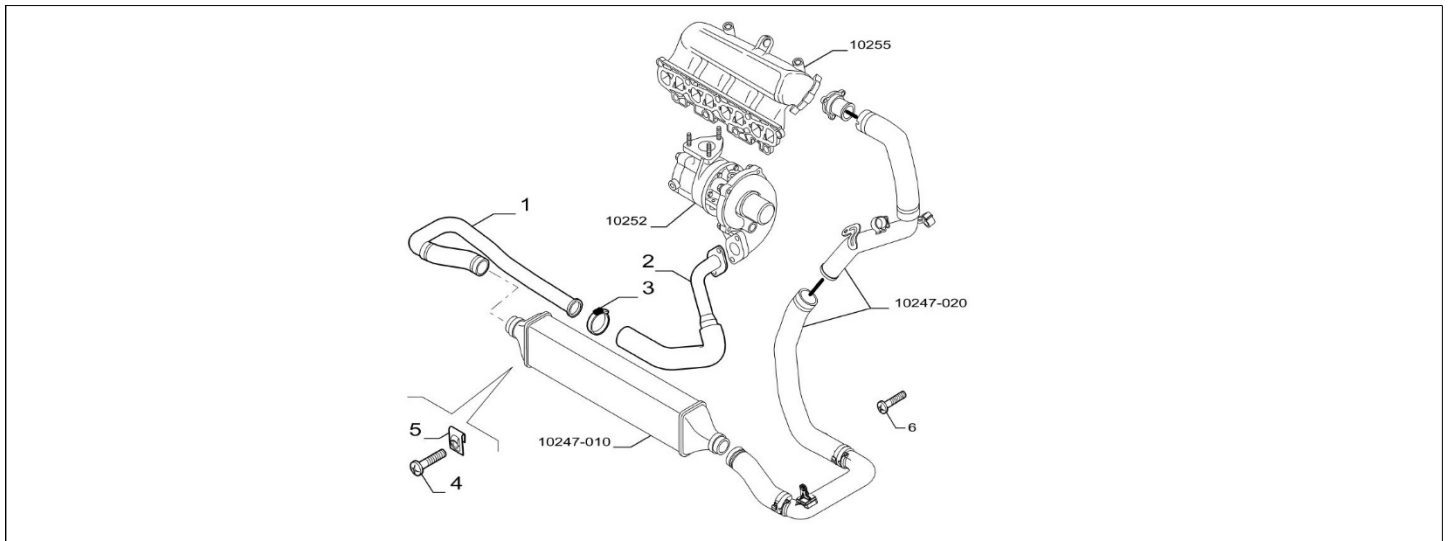
Catalogue	MITO 2013-2018	
Category	3.8 HEAT EXCHANGER PIPELINE	
Var.	01	1.4
Rev.	00	



Part Num.	Description	Compatibility	Modif.	Qty	Notes	Col.	Reman.
1	51877270	SLEEVE	120HP		1		
1	51888099	SLEEVE	TURBO+ITCT		1		
1	50527068	SLEEVE	TCT		1		
1	50526743	SLEEVE	135HP		1		
2	51838612	SLEEVE	120HP		1		
2	50518981	SLEEVE	135HP, 170HP, 140HP		1		
3	71714116	COLLAR, DIAMETER 40-60			1		
3	71714117	COLLAR, DIAMETER 50-70			1		
4	18750624	SCREW, M6X25			2		
5	14189071	BRACKET	TURBO		2		

Legend	
TCT	SPECIFIC GEARBOX
TURBO	(ASPIRATED/TURBO):TURBO
1.4	HORSE POWER (MARKET):1370
140HP	POWER:1.4 16V TURBO MULTIAIR 140 HP EURO 6
170HP	POWER:1.4 FIRE 16V TURBO MULTIAIR 170HP EURO 5
120HP	POWER:1.6 JTD EURO5 -1.4 FIRE TRB 120HP
135HP	POWER:1.4 FIRE 16V TURBO MULTIAIR 135 HP EURO 5

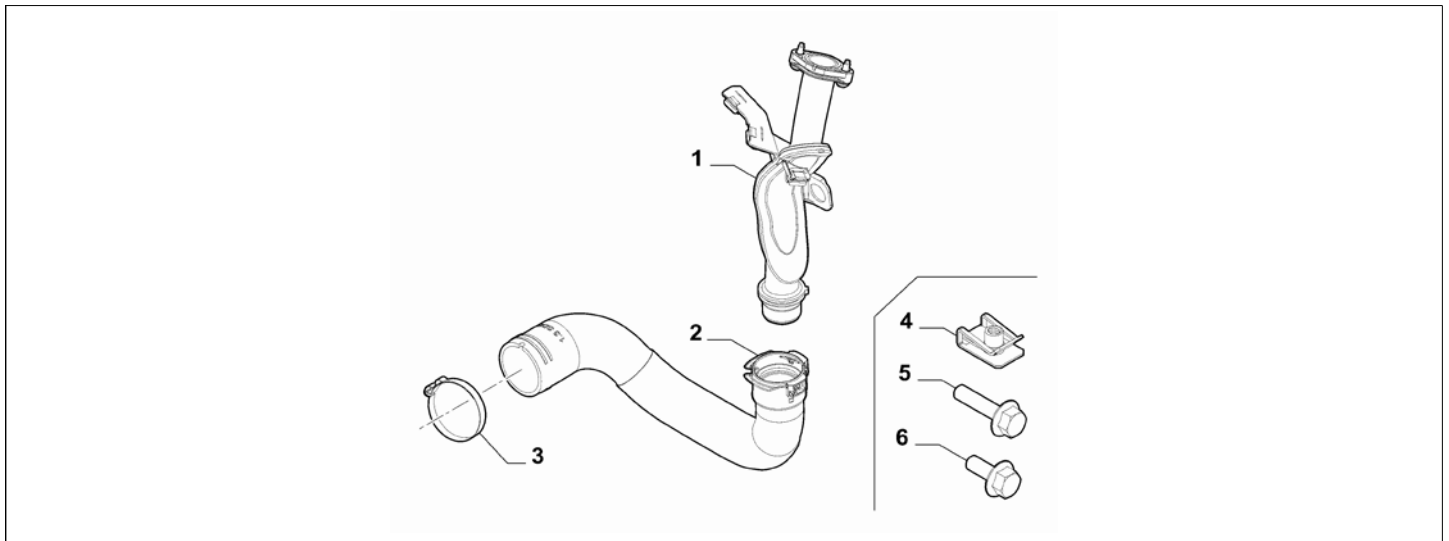
Catalogue	MITO 2013-2018	
Category	3.8 HEAT EXCHANGER PIPELINE	
Var.	02	1.3D + EURO5
Rev.	00	



Part Num.	Description	Compatibility	Modif.	Qty	Notes	Col.	Reman.
1	51878736 SLEEVE	EURO5		1			
2	51887300 SLEEVE	EURO5		1			
3	71714115 COLLAR, DIAMETER 30-45			1			
4	18750624 SCREW, M6X25			2			
5	14189071 BRACKET			2			
6	55199959 SCREW			1			

Legend	
1.3D	HORSE POWER (MARKET):
EURO5	ECOLOGY:LIM.ECC PHASE 5

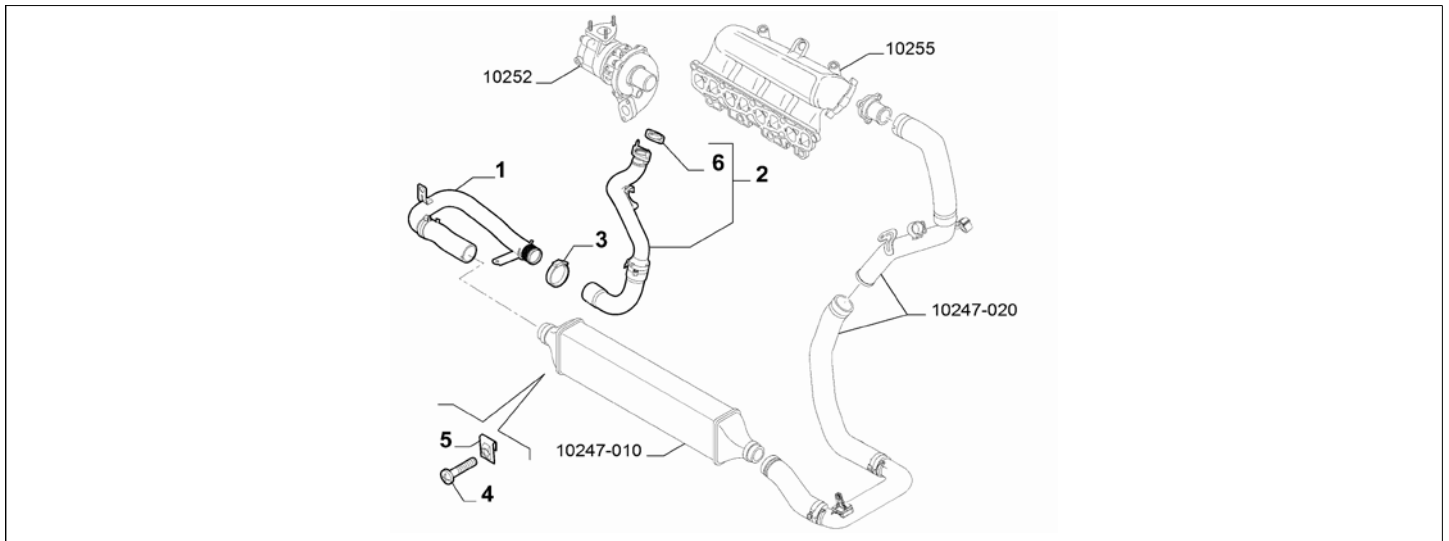
Catalogue	MITO 2013-2018	
Category	3.8 HEAT EXCHANGER PIPELINE	
Var.	03	1.3D + EURO6
Rev.	00	



Part Num.	Description	Compatibility	Modif.	Qty	Notes	Col.	Reman.
1	52014558 PIPE			1			
2	50541689 SLEEVE			1			
3	71714115 COLLAR			1			
4	14189071 BRACKET			2			
5	18750624 SCREW			2			
6	55199959 SCREW	85HP		1			

Legend	
1.3D	HORSE POWER (MARKET):
EURO6	ECOLOGY:EURO 6
85HP	POWER:1.3 SDE 85HP EURO5

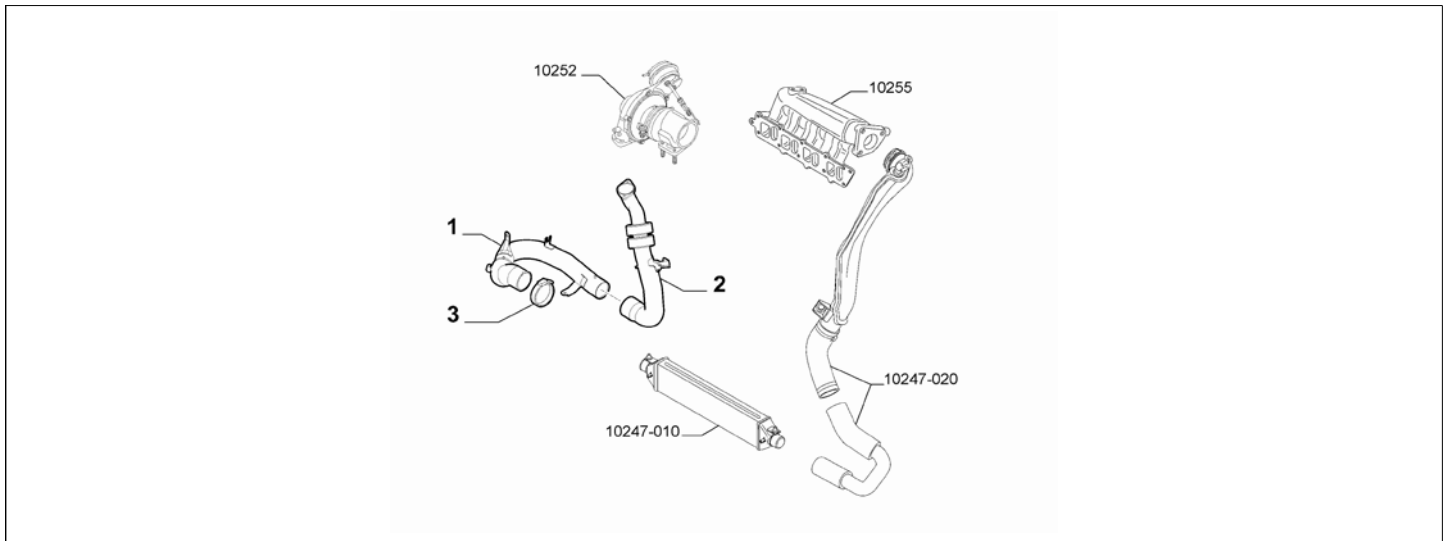
Catalogue	MITO 2013-2018	
Category	3.8 HEAT EXCHANGER PIPELINE	
Var.	04	875CC
Rev.	00	



Part Num.	Description	Compatibility	Modif.	Qty	Notes	Col.	Reman.
1	51932891 SLEEVE	85HP		1			
1	50527753 SLEEVE	105HP		1			
2	51932890 SLEEVE	85HP		1			
2	50527752 SLEEVE	105HP	C18871	1			
2	52025309 SLEEVE	105HP	D18871	1			
3	71714115 COLLAR, DIAMETER 30-45			1			
4	18750624 SCREW, M6X25			2			
5	14189071 BRACKET			2			
6	51919805 SEAL GASKET			1			

Legend	
875CC	HORSE POWER (MARKET):875
85HP	POWER:1.3 SDE 85HP EURO5
105HP	POWER:0.9 TWINAIR 105HP
18871	NEW PIPE [DAT 18/09/2014]

Catalogue	MITO 2013-2018	
Category	3.8 HEAT EXCHANGER PIPELINE	
Var.	05	1.6D
Rev.	00	



Part Num.	Description	Compatibility	Modif.	Qty	Notes	Col.	Reman.
1	50520203 PIPE			1			
2	50516866 SLEEVE			1			
3	71714117 COLLAR, DIAMETER 50-70			1			

Legend	
1.6D	HORSE POWER (MARKET):1598