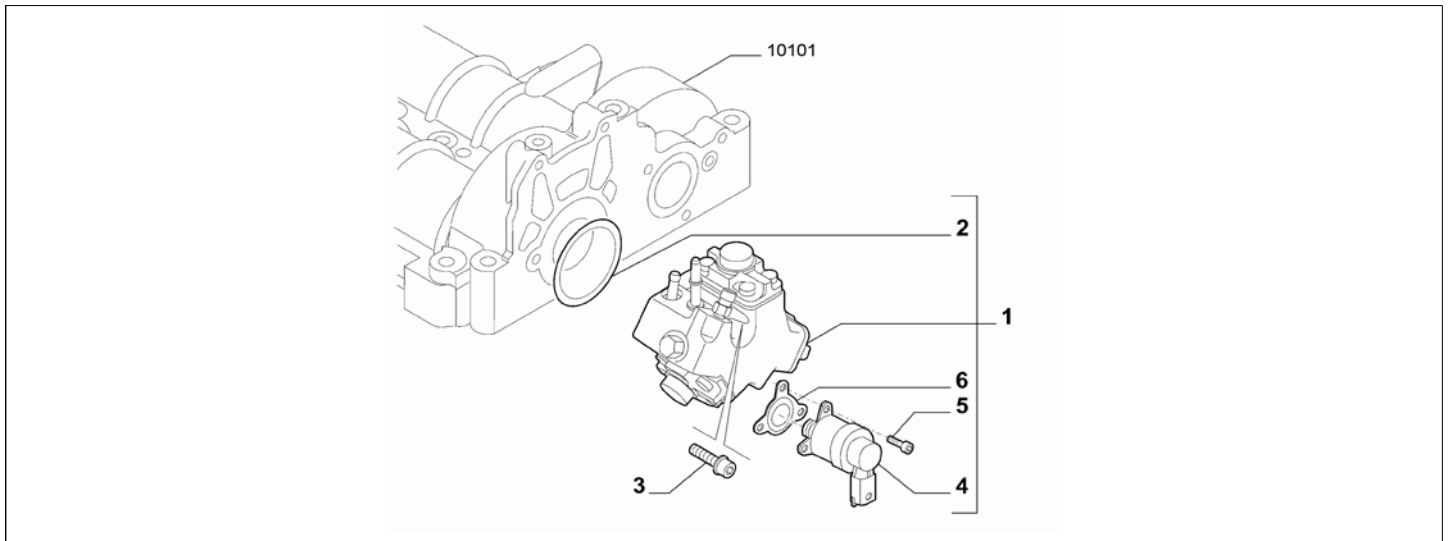


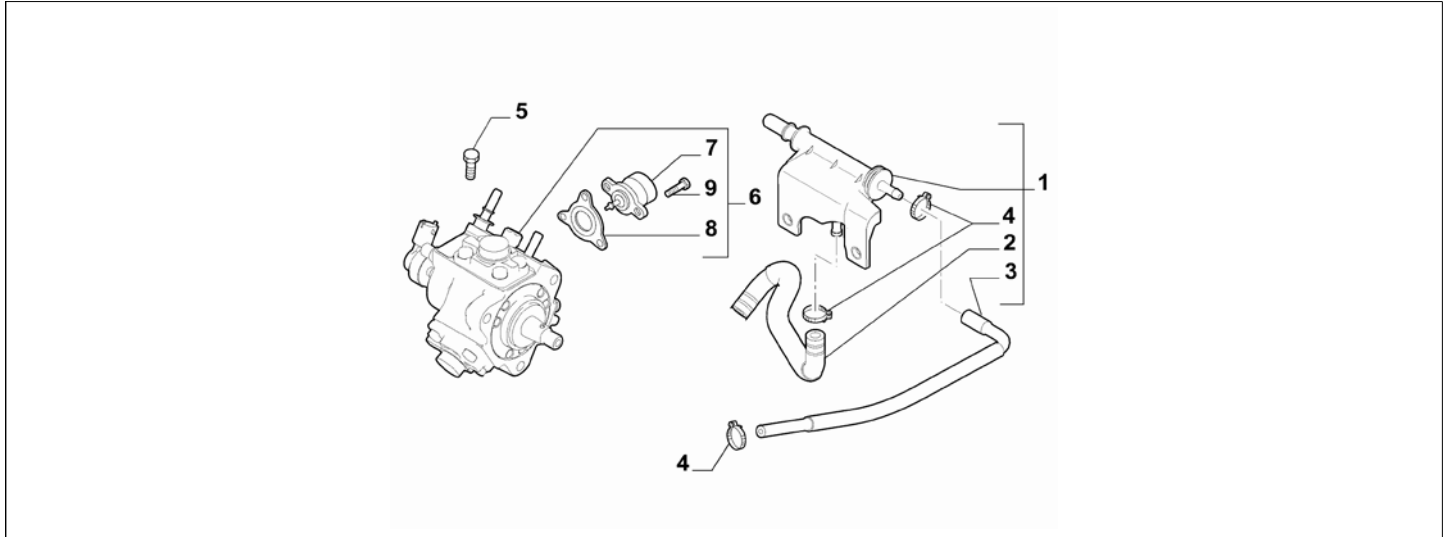
Catalogue	MITO 2013-2018	
Category	3.7 FUEL INJECTION SYSTEM	
Var.	01	1.3D + DIESEL + 85HP + EURO5
Rev.	00	



Part Num.	Description	Compatibility	Modif.	Qty	Notes	Col.	Reman.
1	55236707 INJECTION PUMP		C19493	01			71796928
1	55255416 INJECTION PUMP		D19493	01			71796931
2	55186955 SEAL			01			
3	73503310 SCREW, M2X20			03			
4	71754571 PRESSURE REGULATOR			1			
5	71754621 SCREW			03			
6	71754620 SEAL GASKET			1			

Legend	
1.3D	HORSE POWER (MARKET):
DIESEL	FUEL:DIESEL
EURO5	ECOLOGY:LIM.ECC PHASE 5
85HP	POWER:1.3 SDE 85HP EURO5
19493	REPLACED DIESEL PUMP [DAT 29/02/2016]

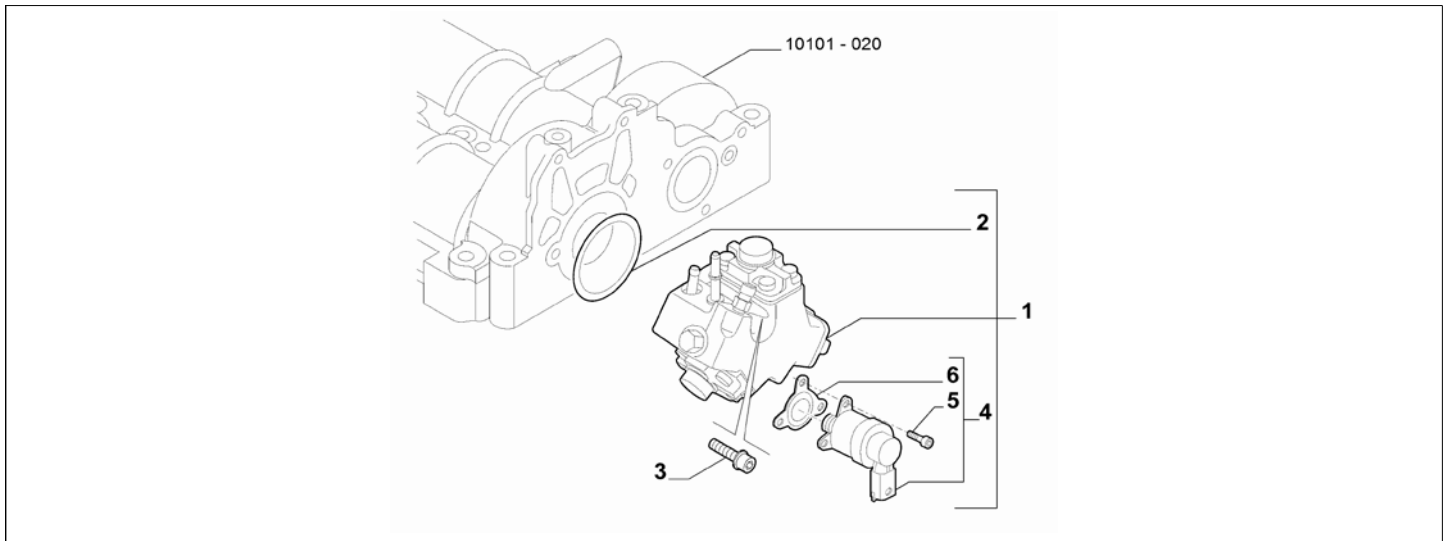
Catalogue	MITO 2013-2018	
Category	3.7 FUEL INJECTION SYSTEM	
Var.	02	1.6D + DIESEL + 120HP
Rev.	00	



Part Num.	Description	Compatibility	Modif.	Qty	Notes	Col.	Reman.
1	55227731	DUCTING		01			
2	55210139	SLEEVE		01			
3	55229353	HOSE		01			
4	13125570	COLLAR, DIAM 13-14		03			
5	16286424	SCREW, M6X35		02			
6	55246508	INJECTION PUMP	6Y4	C19275	01		71796373
6	55267246	INJECTION PUMP	6Y4	D19275	01		71796376
6	55237688	INJECTION PUMP	!6Y4		01		71795701
7	71772309	PRESSURE REGULATOR	6Y4		01		
7	71754571	PRESSURE REGULATOR	!6Y4		01		
8	71754620	SEAL GASKET			01		
9	71754621	SCREW			03		

Legend	
6Y4	EURO 5+
1.6D	HORSE POWER (MARKET):1598
DIESEL	FUEL:DIESEL
120HP	POWER:1.6 JTD EURO5 -1.4 FIRE TRB 120HP
19275	New injection pump and new support [DAT 07/07/2015]

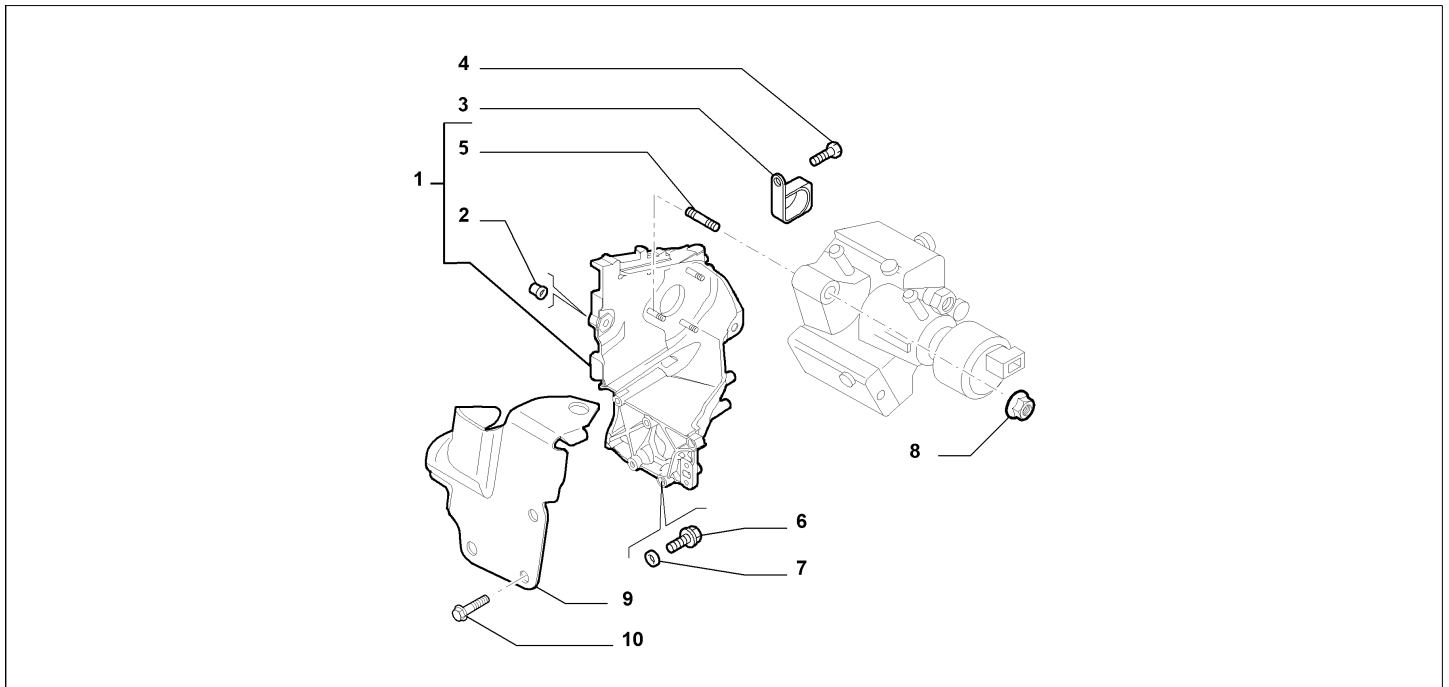
Catalogue	MITO 2013-2018	
Category	3.7 FUEL INJECTION SYSTEM	
Var.	03	1.3D + DIESEL + EURO6
Rev.	00	



Part Num.	Description	Compatibility	Modif.	Qty	Notes	Col.	Reman.
1	55255416 INJECTION PUMP			1			71796931
2	55185955 SEAL GASKET			1			
3	73503310 SCREW, M2X20			3			
4	71772309 PRESSURE REGULATOR			1			
5	71754621 SCREW			3			
6	71754620 SEAL GASKET			1			

Legend	
1.3D	HORSE POWER (MARKET):
DIESEL	FUEL:DIESEL
EURO6	ECOLOGY:EURO 6

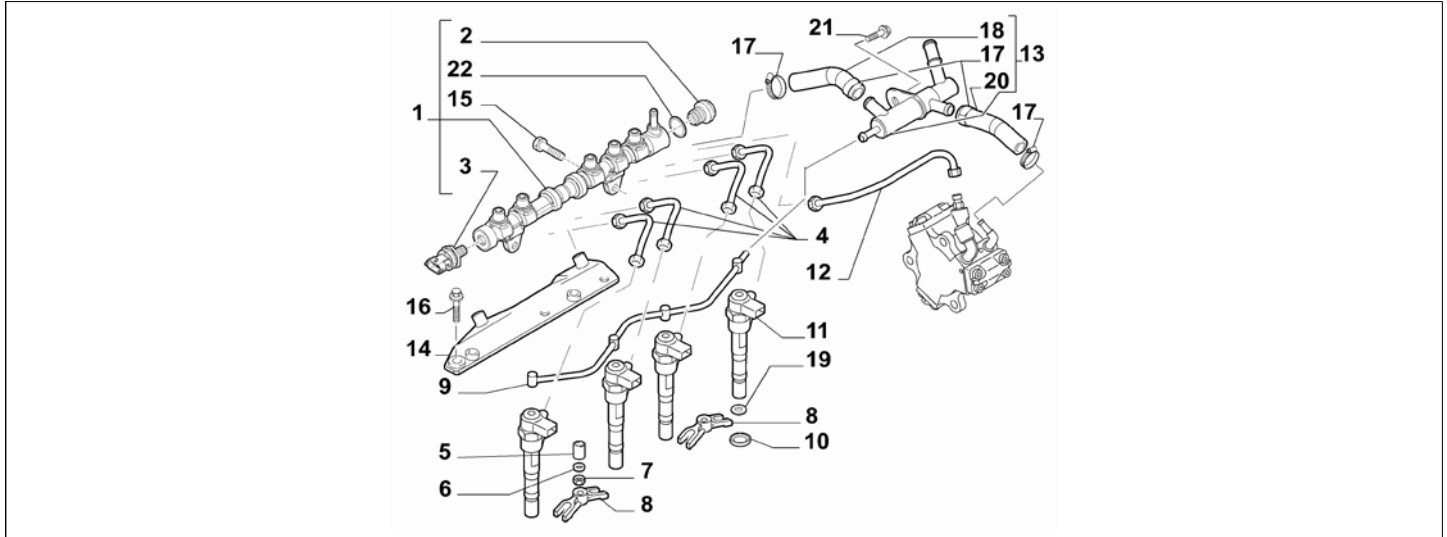
Catalogue	MITO 2013-2018	
Category	3.7 FUEL INJECTION SYSTEM	
Var.	01	1.6D + DIESEL + 120HP
Rev.	00	



Part Num.	Description	Compatibility	Modif.	Qty	Notes	Col.	Reman.
1	55226623 SUPPORT		C21299	01			
1	55282304 SUPPORT		D21299	01			
2	55207720 BUSH			01			
3	55209649 BRACKET			01			
4	16286124 SCREW, M6X16			02			
5	46522794 STUD, M8X11-30			03			
6	18752824 SCREW, M8X35			03			
6	55231474 SCREW, M10X1.25X40		C21005	01			
6	55283551 SCREW, M10X1.25X40		D21005	01			
6	55207946 SCREW, M8X1.25X110			02			
7	46469163 PLANE WASHER, 10X28X4			01			
8	55192175 NUT			03			
9	51813786 PROTECTION			01			
10	55192179 SCREW			03			

Legend	
1.6D	HORSE POWER (MARKET):1598
DIESEL	FUEL:DIESEL
120HP	POWER:1.6 JTD EURO5 -1.4 FIRE TRB 120HP
21005	Replaced fastening screw to support injection pump to cylinder head [DAT 01/03/2017]
21299	NEW COMPLETE INJECTION PUMP HOLDER [DAT 14/06/2017]

Catalogue	MITO 2013-2018	
Category	3.7 FUEL INJECTION SYSTEM	
Var.	01	1.3D + DIESEL + 85HP + EURO5
Rev.	00	

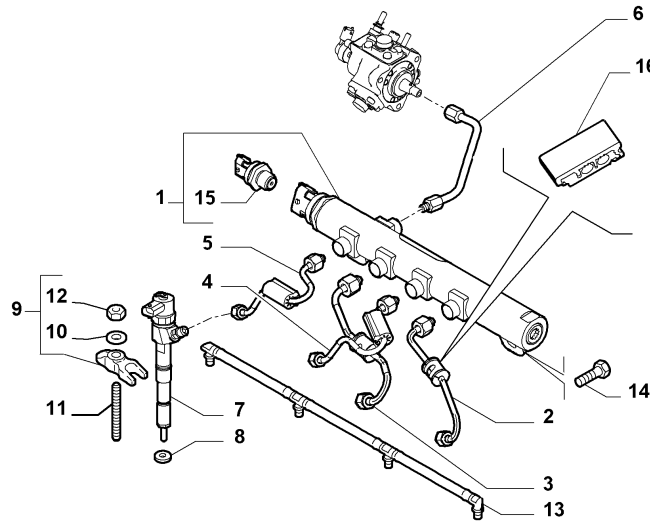


Part Num.	Description	Compatibility	Modif.	Qty	Notes	Col.	Reman.
1	55232355	HYDRAULIC ACCU_MULATOR, COMPL	C17877	01			
1	55272136	HYDRAULIC ACCU_MULATOR, COMPL	D17877	01			
2	55230826	PRESSURE REGULATOR	C17877	01			
3	55280822	SENSOR		01			
4	55216332	PIPE		01			
5	55189556	NUT	C17366	02			
5	55232536	NUT	D17366	02			
6	55189555	LOCK WASHER, 8X16X1,9	C17366	02			
7	55189554	PLANE WASHER	C17366	02			
8	55227185	BRACKET		02			
9	55245385	PIPE		01			
10	55205036	SEAL GASKET		04			
11	71724534	INJECTOR	C13000	04			71724535
11	55219886	INJECTOR	D13000	04			71724498
12	55216339	PIPE		01			
13	55232390	CONNECTION	C17877	01			
13	55239224	CONNECTION	D17877	01			
14	55180303	BRACKET		01			
15	16287321	SCREW, M8X30		02			
16	55192237	SCREW AND WASHERASSY, M8X18		03			
17	13125570	COLLAR, 13,0-14,0		02			
18	55221230	SLEEVE	C17877	01			
19	55245288	SEALING WASHER		04			
20	55187667	SLEEVE		01			
21	55229981	SCREW	C17877	01			
21	55195327	SCREW	D17877	01			
22	71769508	SEAL GASKET, Rif. BOSCH cod. F00 R000 739		1			

Legend	
1.3D	HORSE POWER (MARKET):
DIESEL	FUEL:DIESEL

EURO5	ECOLOGY:LIM.ECC PHASE 5
85HP	POWER:1.3 SDE 85HP EURO5
13000	TO MANAGE RECONDITIONED VEHICLES [DAT 31/03/2017]
17366	use of new fasteners [DAT 09/01/2013]
17877	New hydraulic accumulator [DAT 12/03/2013]

Catalogue	MITO 2013-2018	
Category	3.7 FUEL INJECTION SYSTEM	
Var.	02	1.6D + DIESEL + 120HP
Rev.	00	

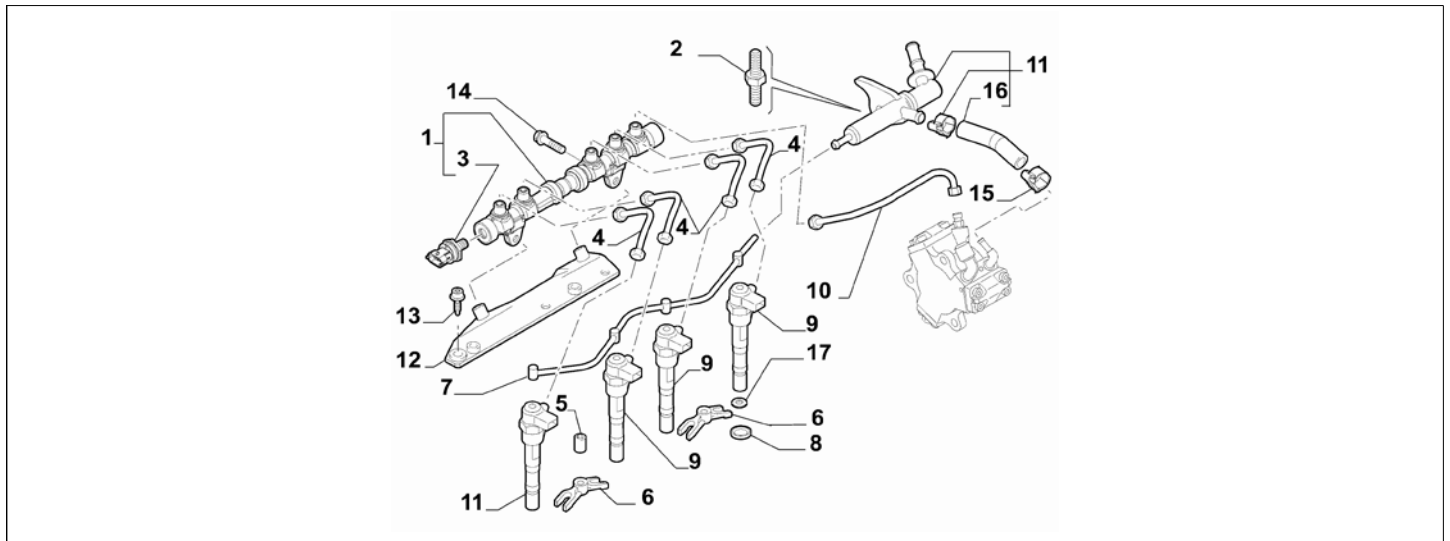


Part Num.	Description	Compatibility	Modif.	Qty	Notes	Col.	Reman.
1	55234039 HYDRAULIC ACCU_MULATOR	6Y4	C19266	01			
1	46337642 HYDRAULIC ACCU_MULATOR	6Y4	D19266	01			
1	55215208 HYDRAULIC ACCU_MULATOR	!6Y4		01			
2	55218920 PIPE, CYL 4	!6Y4		01			
2	55250534 PIPE, CYL 4	6Y4		01			
3	55218921 PIPE, CYL 3	!6Y4		01			
3	55250533 PIPE, CYL 3	6Y4		01			
4	55218924 PIPE, CYL 2	!6Y4		01			
4	55250536 PIPE, CYL 2	6Y4		01			
5	55218923 PIPE, CYL 1	!6Y4		01			
5	55250535 PIPE, CYL 1	6Y4		01			
6	55218927 PIPE	!6Y4		01			
6	55250543 PIPE	6Y4		01			
7	55246223 INJECTOR	6Y4		04			71795601
7	55206704 INJECTOR	!6Y4	C13000	04			71724537
7	55221023 INJECTOR	!6Y4	D13000	04			71794466
8	46518716 SEAL GASKET			04			
9	55248609 BRACKET	!6Y4		01			
9	55270467 BRACKET	6Y4		01			
10	46797060 PLANE WASHER	!6Y4		04			
10	55189554 PLANE WASHER	6Y4		04			
11	55280320 STUD, M8X16-57			04			
12	55192175 NUT			04			
13	55269856 PIPE			01			
14	16287234 SCREW, M8X30			02			
15	55280822 SENSOR	6Y4		01			
15	55230978 SENSOR	!6Y4		01			
16	55214984 BRACKET			01			

Legend

6Y4	EURO 5+
1.6D	HORSE POWER (MARKET):1598
DIESEL	FUEL:DIESEL
120HP	POWER:1.6 JTD EURO5 -1.4 FIRE TRB 120HP
13000	TO MANAGE RECONDITIONED VEHICLES [DAT 31/03/2017]
19266	New rail with new pressure sensor [DAT 02/12/2015]

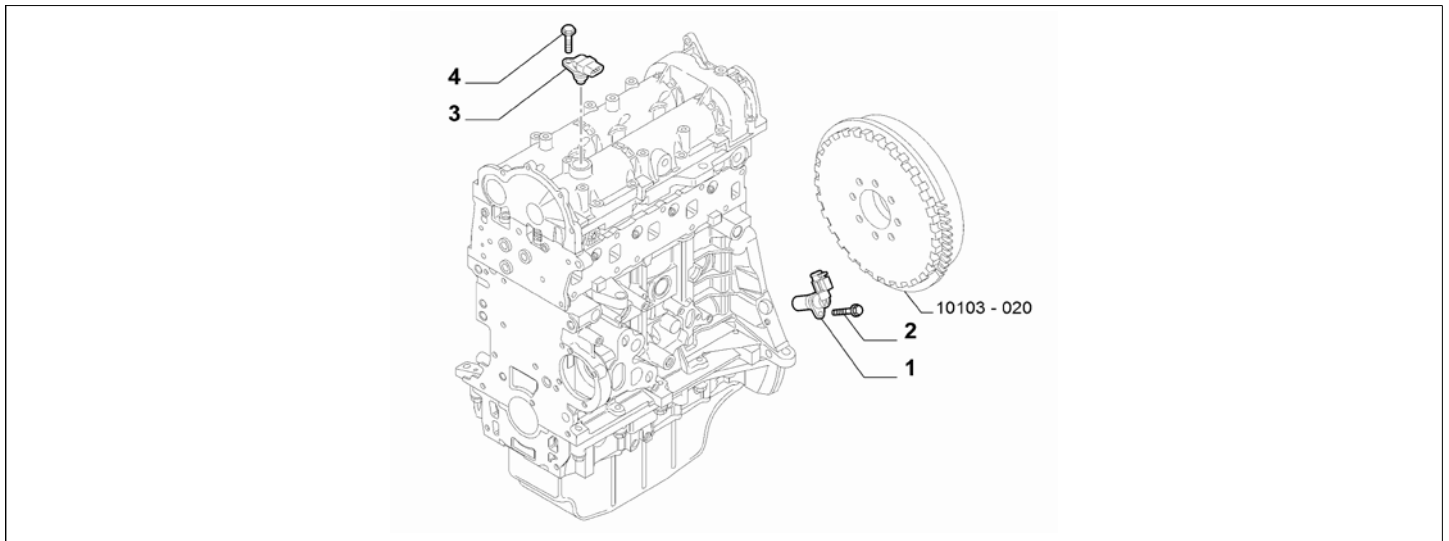
Catalogue	MITO 2013-2018	
Category	3.7 FUEL INJECTION SYSTEM	
Var.	03	1.3D + DIESEL + EURO6
Rev.	00	



Part Num.	Description	Compatibility	Modif.	Qty	Notes	Col.	Reman.
1	55272136 HYDRAULIC ACCUMULATOR, COMPLETE			1			
2	55255470 SCREW			1			
3	55280822 SENSOR			1			
4	55216332 PIPE			1			
5	55232536 NUT			2			
6	55227185 BRACKET			2			
7	55251773 PIPE			1			
8	55205036 SEAL GASKET			4			
9	55255406 INJECTOR			4			71795866
10	55216339 PIPE			1			
11	55251774 CONNECTION			1			
12	55180303 BRACKET			1			
13	16287321 SCREW, M8X30			2			
14	55192237 SCREW AND WASHER ASSY, M8X18			3			
15	13125470 COLLAR, 13,0-14,0			2			
16	55251775 SLEEVE			1			
17	55245288 SEALING WASHER			4			

Legend	
1.3D	HORSE POWER (MARKET):
DIESEL	FUEL:DIESEL
EURO6	ECOLOGY:EURO 6

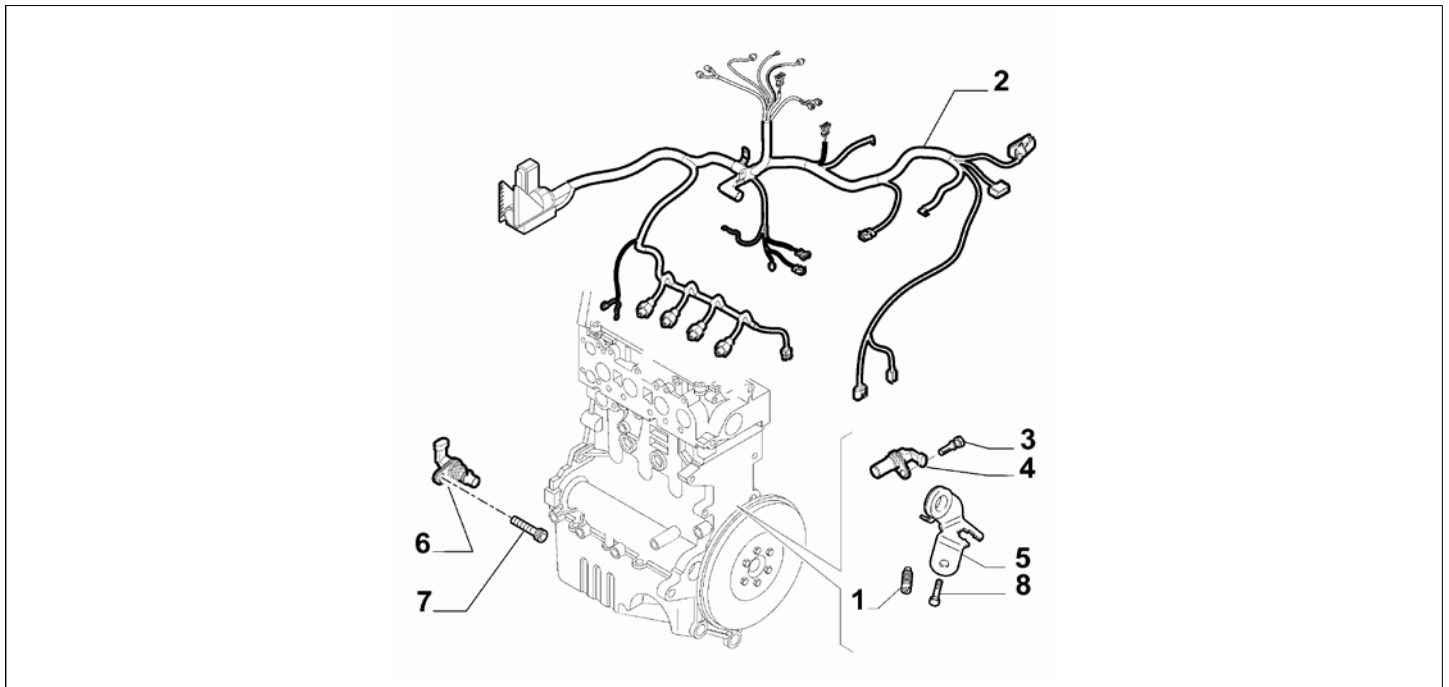
Catalogue	MITO 2013-2018	
Category	3.7 FUEL INJECTION SYSTEM	
Var.	01	1.3D + DIESEL
Rev.	00	



Part Num.	Description	Compatibility	Modif.	Qty	Notes	Col.	Reman.
1	73502752 SENSOR			01			
2	55189543 SCREW AND WASHERASSY, M6X20			01			
3	55216241 SENSOR			01			
4	55192180 SCREW, M6X18			01			

Legend	
1.3D	HORSE POWER (MARKET):
DIESEL	FUEL:DIESEL

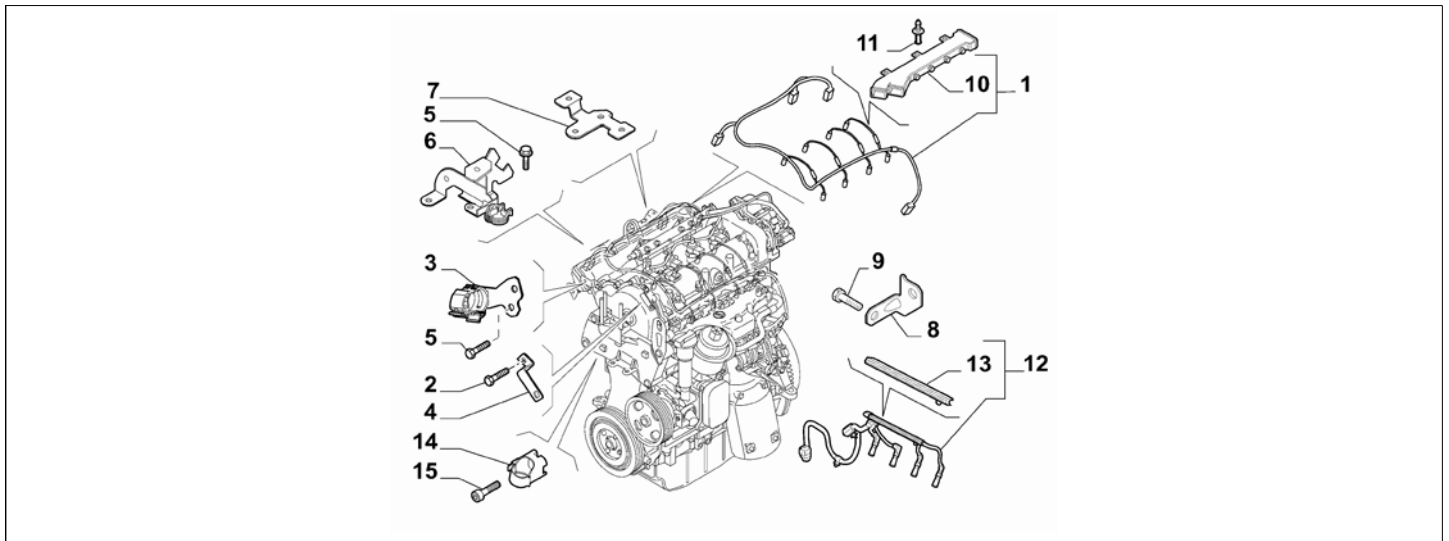
Catalogue	MITO 2013-2018	
Category	3.7 FUEL INJECTION SYSTEM	
Var.	02	1.6D
Rev.	00	



Part Num.	Description	Compatibility	Modif.	Qty	Notes	Col.	Reman.
1	55265046 DOWEL			01			
2	55237888 CABLE HARNESS	16Y4		01			
2	55249931 CABLE HARNESS	6Y4		01			
3	55246559 SCREW AND WASHER ASSY			01			
4	46798345 SENDING UNIT			01			
5	55355415 BRACKET			01			
6	55216242 SENDING UNIT			01			
7	16297024 SCREW			01			
8	16288321 SCREW			01			

Legend	
6Y4	EURO 5+
1.6D	HORSE POWER (MARKET):1598

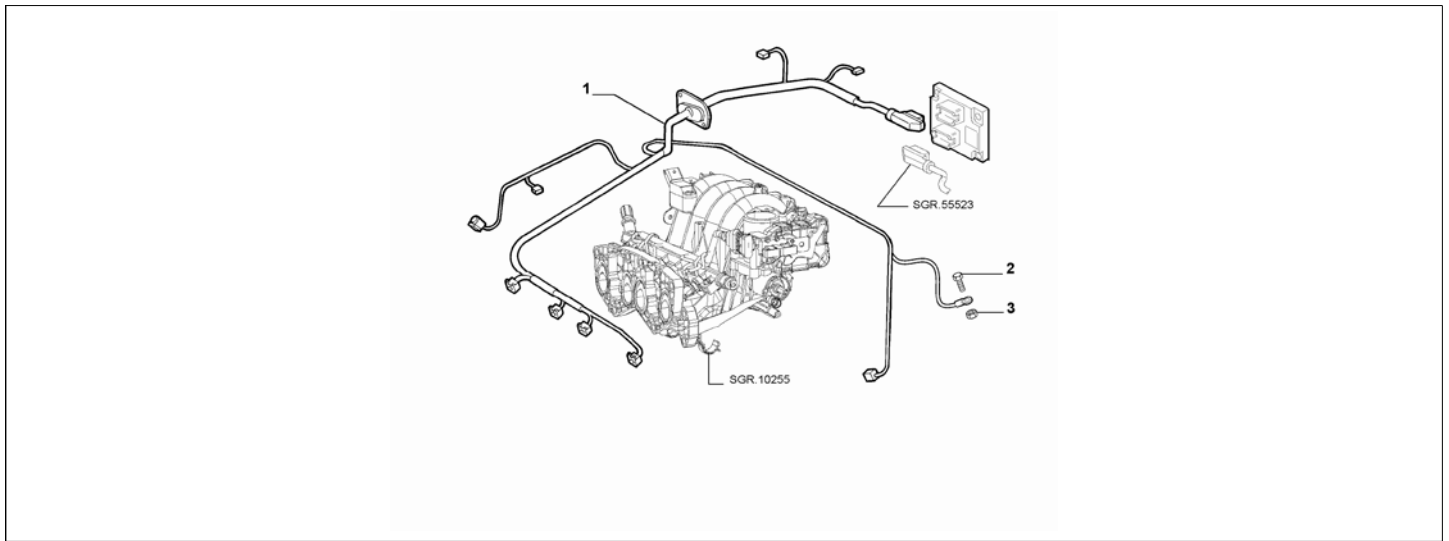
Catalogue	MITO 2013-2018	
Category	3.7 FUEL INJECTION SYSTEM	
Var.	01	1.3D + DIESEL + 85HP + EURO5
Rev.	00	



Part Num.	Description	Compatibility	Modif.	Qty	Notes	Col.	Reman.
1	55235408 CABLE HARNESS			01			
2	55189543 SCREW AND WASHERASSY, M6X20			01			
3	55204617 BRACKET			01			
4	55218421 BRACKET			01			
5	16296921 SCREW, M6X14			05			
6	55204617 BRACKET			01			
7	55180291 BRACKET			01			
8	55186149 BRACKET			01			
9	16287024 SCREW			01			
10	55227186 GLASS RUN			01			
11	55212604 PIN			02			
12	55228210 CABLE HARNESS			01			
13	55227108 GLASS RUN			01			
14	51822011 BRACKET			01			
15	16296921 SCREW			01			

Legend	
1.3D	HORSE POWER (MARKET):
DIESEL	FUEL:DIESEL
EURO5	ECOLOGY:LIM.ECC PHASE 5
85HP	POWER:1.3 SDE 85HP EURO5

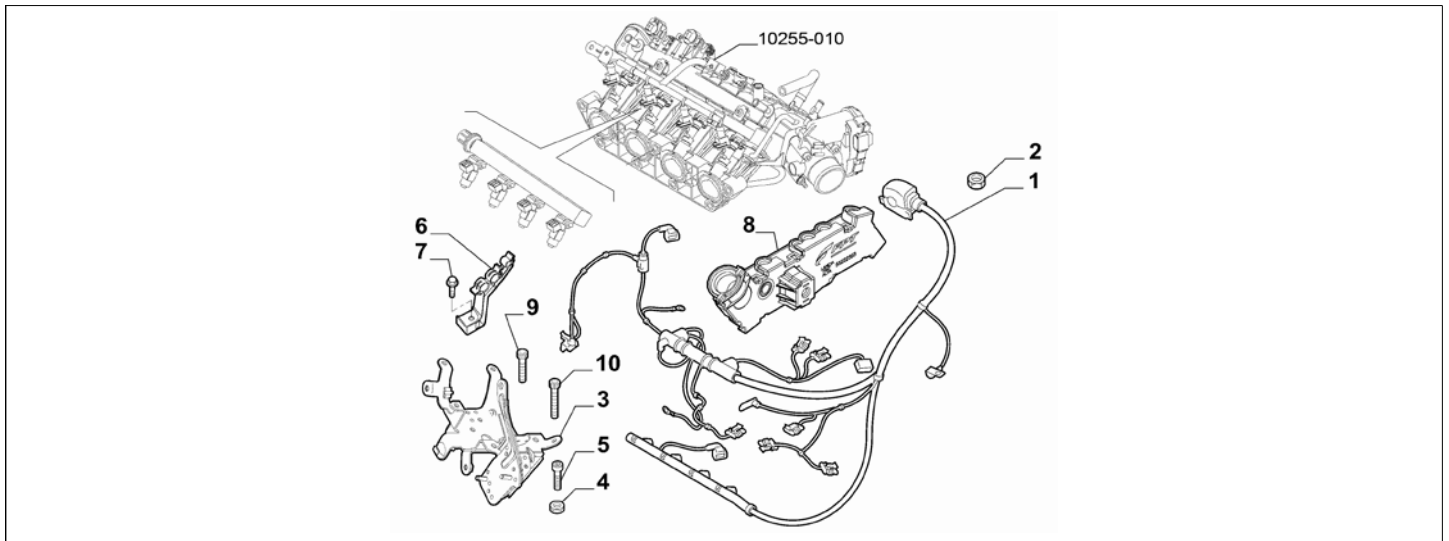
Catalogue	MITO 2013-2018	
Category	3.7 FUEL INJECTION SYSTEM	
Var.	02	1.4 + 8V + PETROL
Rev.	00	



Part Num.	Description	Compatibility	Modif.	Qty	Notes	Col.	Reman.
1	55230802	CABLE HARNESS		1			
1	55230801	CABLE HARNESS		1			
1	55256075	CABLE HARNESS		1			
1	55244110	CABLE HARNESS		1			
2	11617324	SCREW AND WASHER ASSY		1			
3	14118611	NUT, M5		1			

Legend	
025	AIR CONDITIONER 1
140	CLIMATE CONTROL 2
1.4	HORSE POWER (MARKET):1370
PETROL	FUEL:PETROL
EURO5	ECOLOGY:LIM.ECC PHASE 5
EURO6	ECOLOGY:EURO 6
70HP	POWER:1.4 FIRE 8V 70HP EURO5-EURO6
78HP	POWER:1.4 FIRE 8V/16V 78HP EURO5
8V	TOTAL NUMBER OF VALVES:8 VALVES

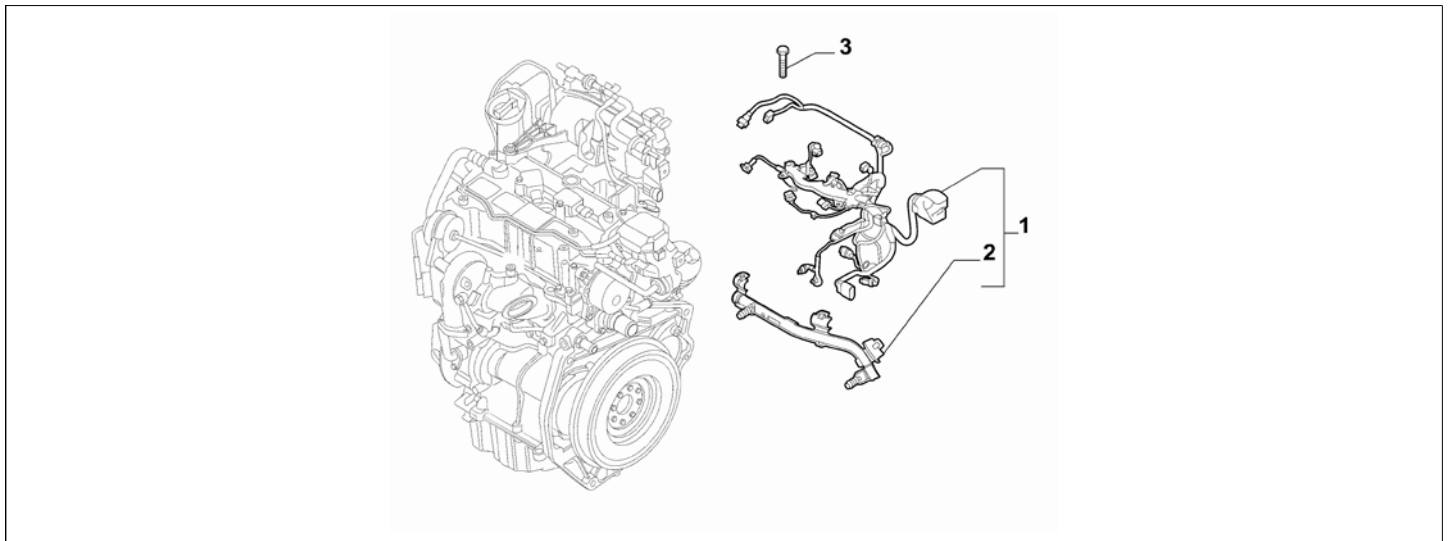
Catalogue	MITO 2013-2018	
Category	3.7 FUEL INJECTION SYSTEM	
Var.	03	1.4 + TURBO + (120HP, 135HP, 140HP, 170HP)
Rev.	00	



Part Num.	Description	Compatibility	Modif.	Qty	Notes	Col.	Reman.
1	55238471	CABLE HARNESS	120HP+EURO5		1		
1	55250466	CABLE HARNESS	120HP+EURO6		1		
1	55240340	CABLE HARNESS	(135HP, 170HP)+EURO5		1		
1	55252517	CABLE HARNESS	170HP+EURO6, 140HP		1		
2	13046118	NUT			4		
3	55223399	BRACKET	120HP+EURO5		1		
3	55254450	BRACKET	120HP+EURO6		1		
3	55222267	BRACKET	135HP, 140HP, 170HP		1		
4	55192174	NUT			5		
5	55206778	SCREW, M6		C20828	1		
6	51794477	CLIP			1		
7	46826206	SCREW			1		
8	55222393	SHIELD	135HP, 140HP, 170HP		1		
9	16286024	SCREW, M6X16		D20828	1		
10	16297024	SCREW, M6X18		D20828	1		

Legend	
TURBO	(ASPIRATED/TURBO):TURBO
1.4	HORSE POWER (MARKET):1370
EURO5	ECOLOGY:LIM.ECC PHASE 5
EURO6	ECOLOGY:EURO 6
140HP	POWER:1.4 16V TURBO MULTIAIR 140 HP EURO 6
170HP	POWER:1.4 FIRE 16V TURBO MULTIAIR 170HP EURO 5
120HP	POWER:1.6 JTD EURO5 -1.4 FIRE TRB 120HP
135HP	POWER:1.4 FIRE 16V TURBO MULTIAIR 135 HP EURO 5
20828	new fixing pre-cabled wire support bracket to cylinder head cover [DAT 05/01/2017]

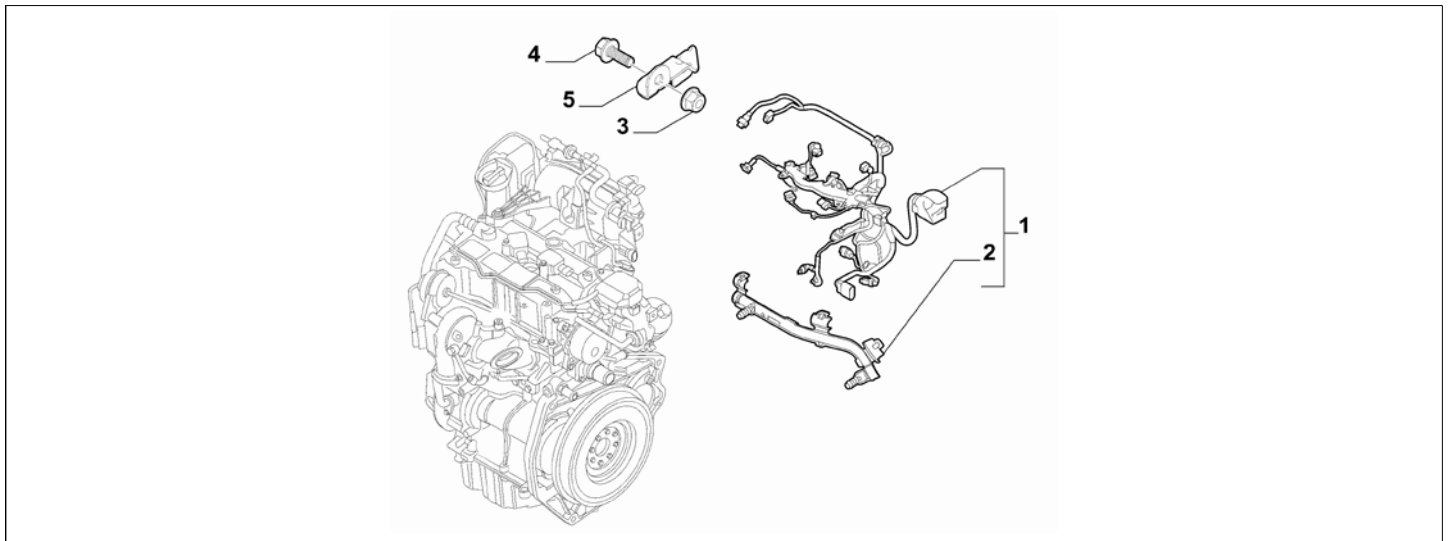
Catalogue	MITO 2013-2018	
Category	3.7 FUEL INJECTION SYSTEM	
Var.	04	875CC + 85HP + TURBO + PETROL
Rev.	00	



Part Num.	Description	Compatibility	Modif.	Qty	Notes	Col.	Reman.
1	55246304	CABLE HARNESS	025	1			
1	55246305	CABLE HARNESS	!025	1			
2	55226996	GLASS RUN		1			
3	16297024	SCREW, M6X18		2			
3	18751621	SCREW		1			

Legend	
025	AIR CONDITIONER 1
TURBO	(ASPIRATED/TURBO):TURBO
875CC	HORSE POWER (MARKET):875
PETROL	FUEL:PETROL
85HP	POWER:1.3 SDE 85HP EURO5

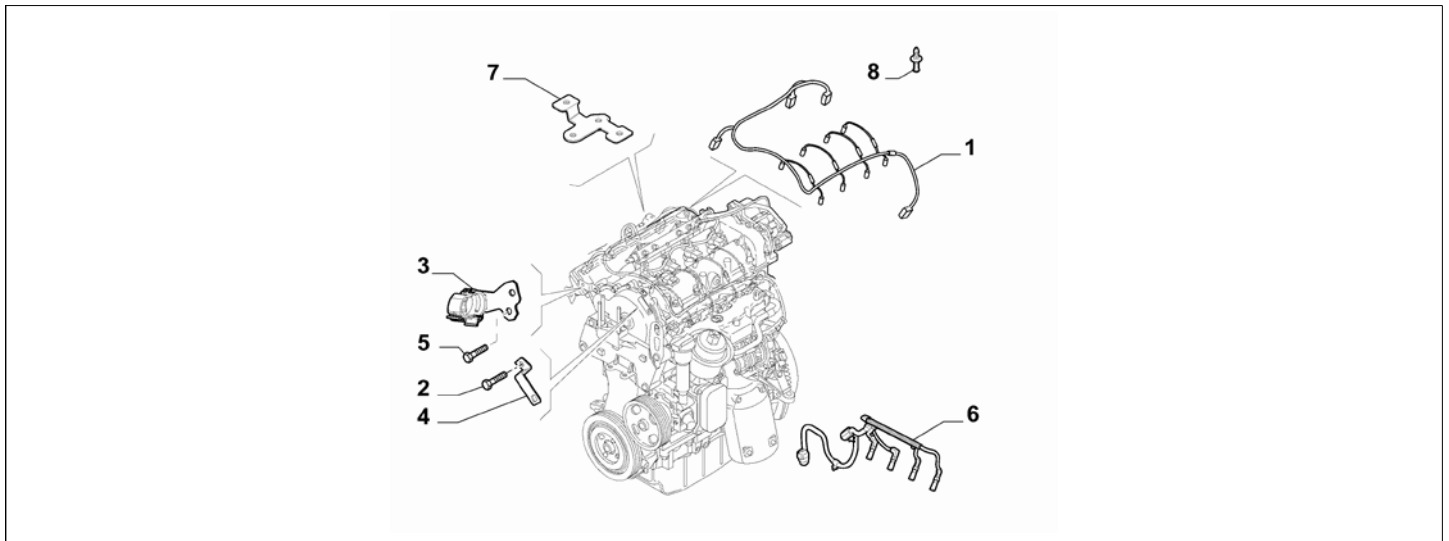
Catalogue	MITO 2013-2018	
Category	3.7 FUEL INJECTION SYSTEM	
Var.	05	875CC + 105HP + TURBO + PETROL
Rev.	00	



Part Num.	Description	Compatibility	Modif.	Qty	Notes	Col.	Reman.
1	55256533 CABLE HARNESS	025	C17508	1			
1	55256045 CABLE HARNESS	025	D17508	1			
1	55249399 CABLE HARNESS	1025		1			
2	55226996 GLASS RUN			1			
3	14059911 NUT			1			
4	16297024 SCREW, M6X18			2			
4	18751621 SCREW			1			
5	55249024 BRACKET			1			

Legend	
025	AIR CONDITIONER 1
TURBO	(ASPIRATED/TURBO):TURBO
875CC	HORSE POWER (MARKET):875
PETROL	FUEL:PETROL
105HP	POWER:0.9 TWINAIR 105HP
17508	New engine control module + new throttle body + new engine wiring [DAT 09/05/2014, TEL X023623]

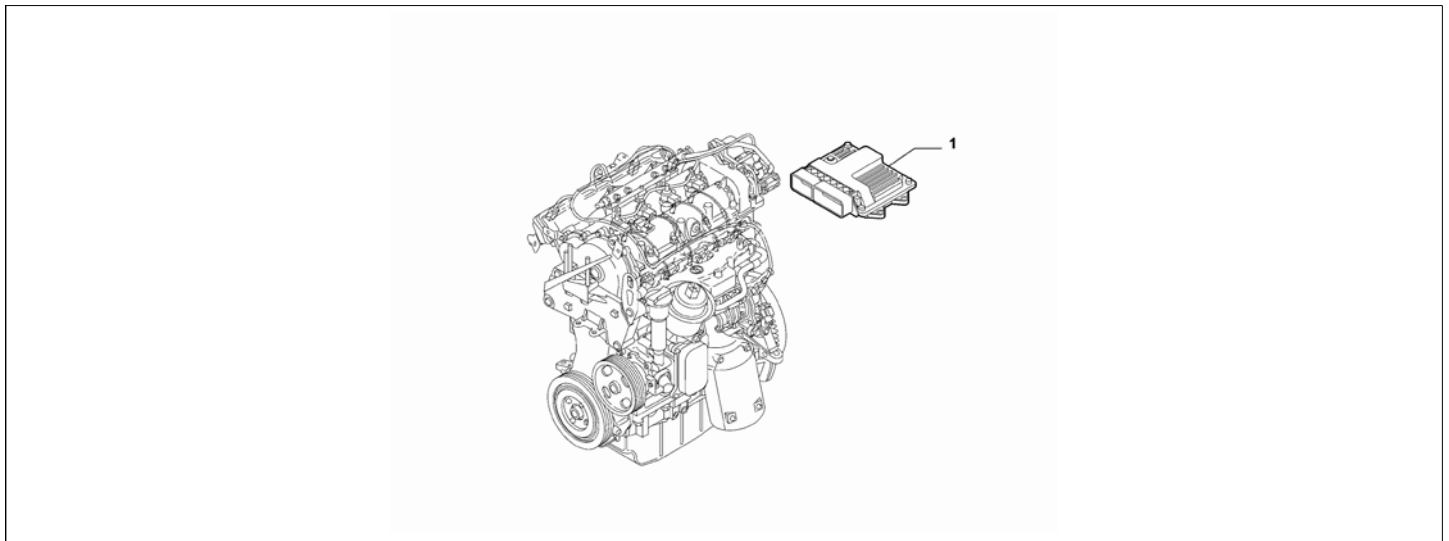
Catalogue	MITO 2013-2018	
Category	3.7 FUEL INJECTION SYSTEM	
Var.	06	1.3D + DIESEL + EURO6
Rev.	00	



Part Num.	Description	Compatibility	Modif.	Qty	Notes	Col.	Reman.
1	55272098 CABLE HARNESS			01			
2	55272573 SCREW AND WASHER ASSY, M6X20			01			
3	55204617 BRACKET			01			
4	55218421 BRACKET			01			
5	16296921 SCREW, M6X14			04			
6	55271966 CABLE HARNESS			01			
7	55180291 BRACKET			01			
8	55279231 PIN			02			

Legend	
1.3D	HORSE POWER (MARKET):
DIESEL	FUEL:DIESEL
EURO6	ECOLOGY:EURO 6

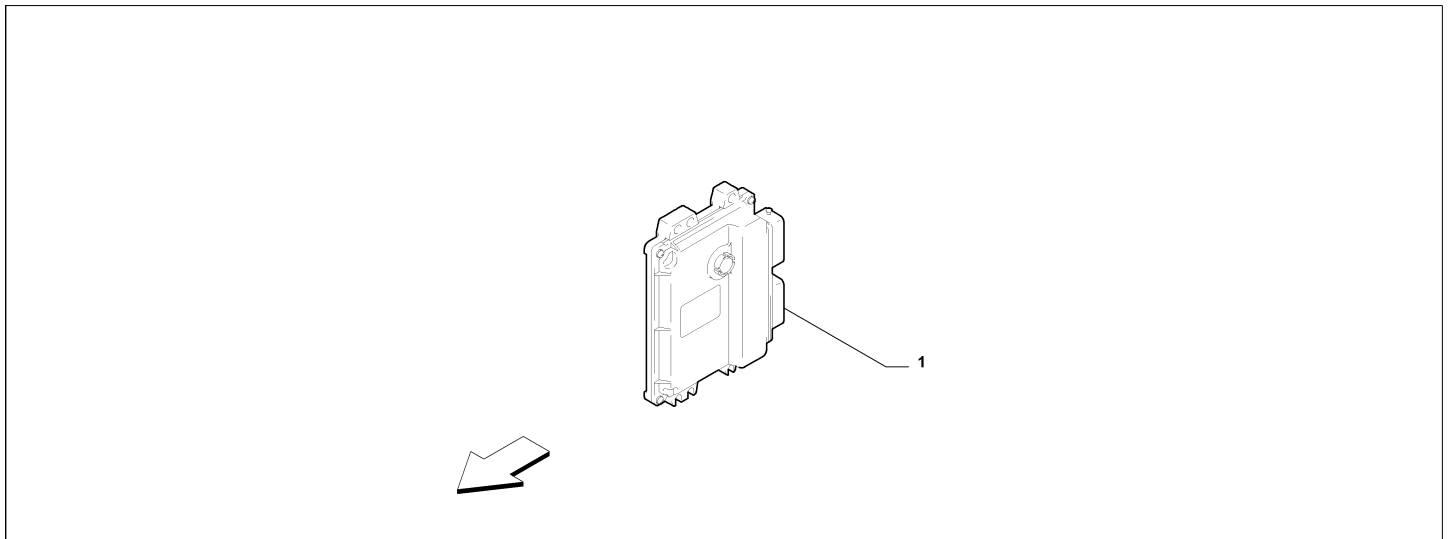
Catalogue	MITO 2013-2018	
Category	3.7 FUEL INJECTION SYSTEM	
Var.	01	1.3D + DIESEL + 85HP + EURO5
Rev.	00	



Part Num.	Description	Compatibility	Modif.	Qty	Notes	Col.	Reman.
1	55258958 INJECTION CTRLUNITS	17JE	C18258	1			
1	55260721 INJECTION CTRLUNITS	17JE	D18258	1			
1	55259328 INJECTION CTRLUNITS	7JE		1			

Legend	
7JE	REDUCTION OF CARBON DIOXIDE 4
1.3D	HORSE POWER (MARKET):
DIESEL	FUEL:DIESEL
EURO5	ECOLOGY:LIM.ECC PHASE 5
85HP	POWER:1.3 SDE 85HP EURO5
18258	New engine control module [DAT 05/12/2014]

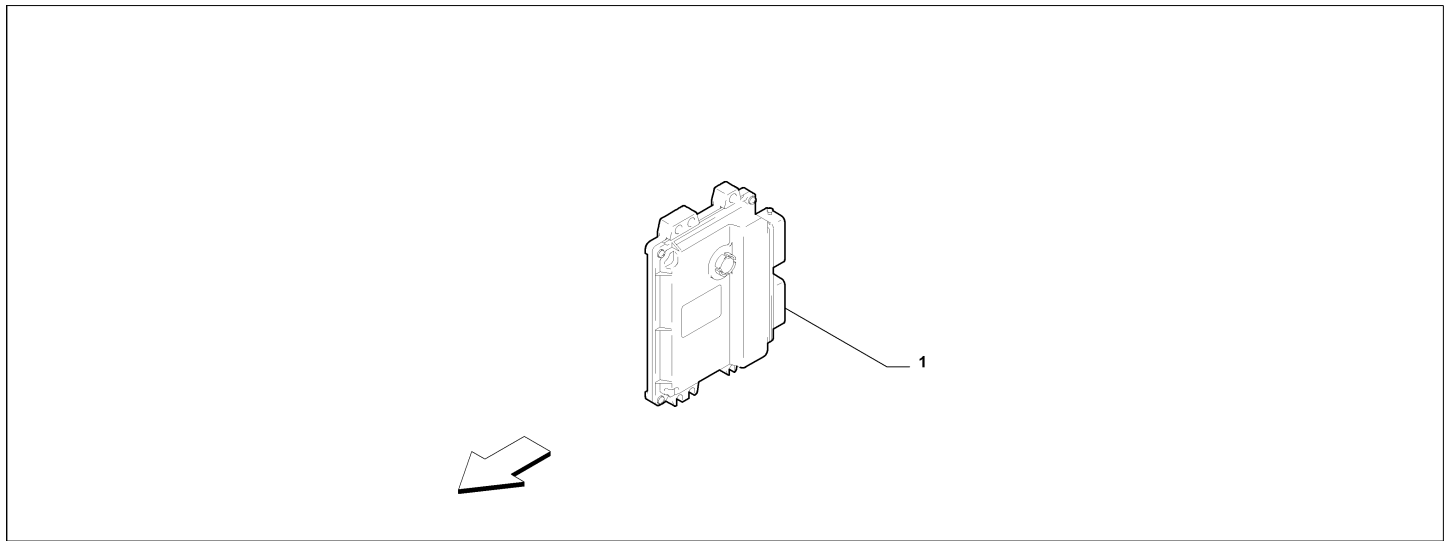
Catalogue	MITO 2013-2018	
Category	3.7 FUEL INJECTION SYSTEM	
Var.	02	1.6D + DIESEL + 120HP
Rev.	00	



Part Num.	Description	Compatibility	Modif.	Qty	Notes	Col.	Reman.
1	55247713	INJECTION CTRLUNITS	I059+I6Y4		1		
1	55247714	INJECTION CTRLUNITS	O59+I6Y4		1		
1	55259816	INJECTION CTRLUNITS	I059+6Y4	C17736	1		
1	55263141	INJECTION CTRLUNITS	I059+6Y4	D17736	1		
1	55259708	INJECTION CTRLUNITS	O59+6Y4	C17736	1		
1	55263142	INJECTION CTRLUNITS	O59+6Y4	D17736	1		

Legend	
059	SPECIFIC CALIBRATION CONTROL UNIT
6Y4	EURO 5+
1.6D	HORSE POWER (MARKET):1598
DIESEL	FUEL:DIESEL
120HP	POWER:1.6 JTD EURO5 -1.4 FIRE TRB 120HP
17736	New engine control module [DAT 01/06/2014]

Catalogue	MITO 2013-2018	
Category	3.7 FUEL INJECTION SYSTEM	
Var.	03	1.4
Rev.	00	

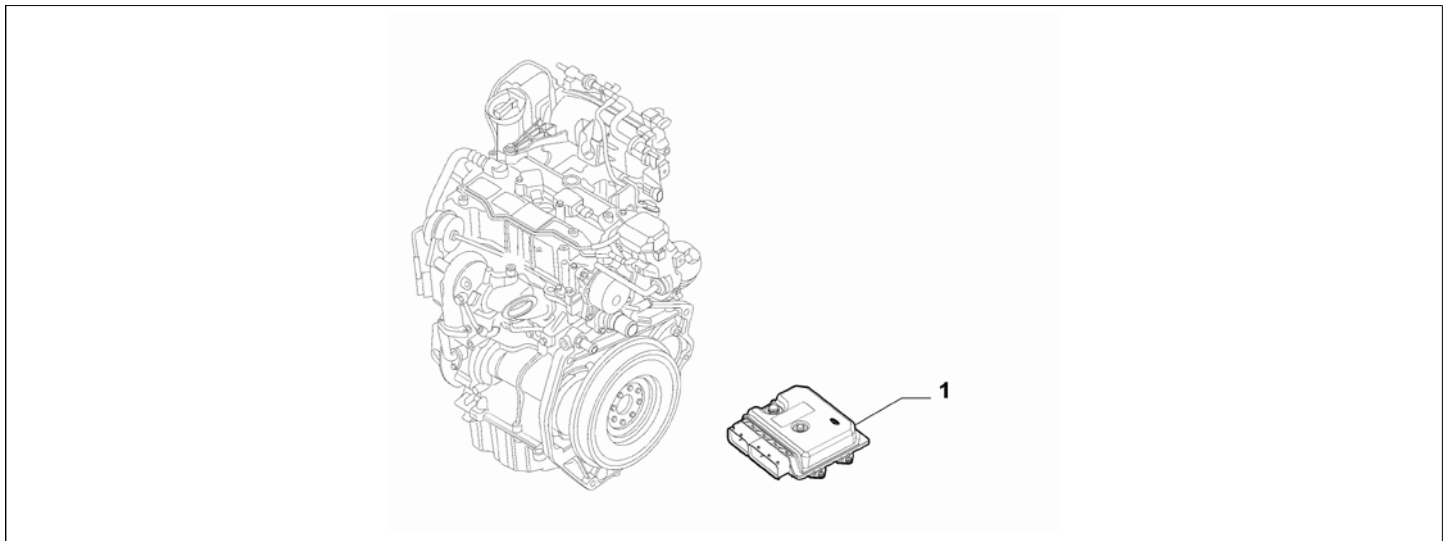


Part Num.	Description	Compatibility	Modif.	Qty	Notes	Col.	Reman.
1	51910513	INJECTION CTRLUNITS	8V+70HP+EURO5		1		
1	51969931	INJECTION CTRLUNITS	8V+70HP+EURO6	C17341	1		
1	51987312	INJECTION CTRLUNITS	8V+70HP+EURO6	D17341	1		
1	51994096	INJECTION CTRLUNITS	8V+70HP+EURO6	D17341, C18215	1		
1	52013995	INJECTION CTRLUNITS	8V+70HP+EURO6	D18215, C19967	1		
1	52032673	INJECTION CTRLUNITS	!S/S+EURO6+70HP	D19967	1		
1	51903140	INJECTION CTRLUNITS	8V+78HP+EURO5		1		
1	51969932	INJECTION CTRLUNITS	8V+78HP+EURO6	C17634	1		
1	51987313	INJECTION CTRLUNITS	8V+78HP+EURO6	D17634, C17635	1		
1	51994097	INJECTION CTRLUNITS	8V+78HP+EURO6	D17635, C18215	1		
1	52013996	INJECTION CTRLUNITS	8V+78HP+EURO6	D18215, C19967	1		
1	52032657	INJECTION CTRLUNITS	S/S+EURO6+78HP	D19967	1		
1	51896479	INJECTION CTRLUNITS	16V+120HP+EURO5		1		
1	55260607	INJECTION CTRLUNITS	LPG+EURO6	C20189	1		
1	55264429	INJECTION CTRLUNITS	LPG+EURO6	D20189	1		
1	51926693	INJECTION CTRLUNITS	16V+135HP+ITCT		1		
1	51961643	INJECTION CTRLUNITS	16V+170HP+EURO6		1		
1	51886077	INJECTION CTRLUNITS	16V+170HP+059		1		
1	51981632	INJECTION CTRLUNITS	16V+170HP+059		1		
1	51886073	INJECTION CTRLUNITS	16V+170HP+AM26	C17517	1		
1	51969911	INJECTION CTRLUNITS	16V+170HP+AM26	D17517	1		
1	51981634	INJECTION CTRLUNITS	16V+140HP		1		
1	51918339	INJECTION CTRLUNITS	1.4+16V+135HP+TCT+AM26	C16797	1		
1	51937635	INJECTION CTRLUNITS	1.4+16V+135HP+TCT+AM26	D16798, C16797	1		
1	51945271	INJECTION CTRLUNITS	1.4+16V+135HP+TCT+AM26	D16798	1		
1	51918340	INJECTION CTRLUNITS	1.4+16V+135HP+TCT+193	C19469	1		
1	51937634	INJECTION CTRLUNITS	(AM00, AM23, AM87)+193+TCT+135HP	D19469	1		
1	51937634	INJECTION CTRLUNITS	193+TCT+5SF+AM47+135HP	D19469	1		
1	51926694	INJECTION CTRLUNITS	!193+TCT+5SF+AM47+135HP		1		

1	51926694	INJECTION CTRLUNITS	(AM00, AM23, AM87)+1193+TCT+135HP		1		
1	51891837	INJECTION CTRLUNITS	(AM00, AM23, AM87)+1059+1193+S/S +EURO5+170HP		1		
1	51926695	INJECTION CTRLUNITS	(AM00, AM23, AM87)+1059+193+S/S +EURO5+170HP		1		
1	52032665	INJECTION CTRLUNITS	16V+140HP		1		
1	51903127	INJECTION CTRLUNITS	1059+1193+15SF+S/S+AM47+EURO5+170HP		1		
1	52032664	INJECTION CTRLUNITS	16V+170HP+EURO6		1		

Legend	
059	SPECIFIC CALIBRATION CONTROL UNIT
193	EOBD WARNING LIGHT CUT-OUT
TCT	SPECIFIC GEARBOX
LPG	LPG FUELING (ITALY STANDARD)
S/S	STOP&START
5SF	SPECIFIC FOR SASO MARKET
AM00	MARKET VERSION:ITALY/CENTRAL EUROPE
AM23	MARKET VERSION:AUSTRALIA
AM26	MARKET VERSION:JAPAN
AM47	MARKET VERSION:MEXICO
AM87	MARKET VERSION:UK/EIRE
1.4	HORSE POWER (MARKET):1370
EURO5	ECOLOGY:LIM.ECC PHASE 5
EURO6	ECOLOGY:EURO 6
140HP	POWER:1.4 16V TURBO MULTIAIR 140 HP EURO 6
170HP	POWER:1.4 FIRE 16V TURBO MULTIAIR 170HP EURO 5
70HP	POWER:1.4 FIRE 8V 70HP EURO5-EURO6
78HP	POWER:1.4 FIRE 8V/16V 78HP EURO5
120HP	POWER:1.6 JTD EURO5 -1.4 FIRE TRB 120HP
135HP	POWER:1.4 FIRE 16V TURBO MULTIAIR 135 HP EURO 5
16V	TOTAL NUMBER OF VALVES:16 VALVES
8V	TOTAL NUMBER OF VALVES:8 VALVES
16797	NEW CONTROL UNIT [DAT 15/07/2013]
16798	NEW CONTROL UNIT [DAT 16/07/2013]
17341	NEW CONTROL UNIT [DAT 07/02/2014]
17517	NEW CONTROL UNIT [DAT 09/05/2014]
17634	NEW CONTROL UNIT [TEL x018456]
17635	NEW CONTROL UNIT [DAT 01/09/2014]
18215	NEW INJECTION CONTROL UNIT [TEL x033803]
19469	New engine control module [DAT 13/10/2017]
19967	New engine control module [TEL X046721 (78HP) , TEL X047749 (70HP)]
20189	New engine control module [DAT 04/12/2014]

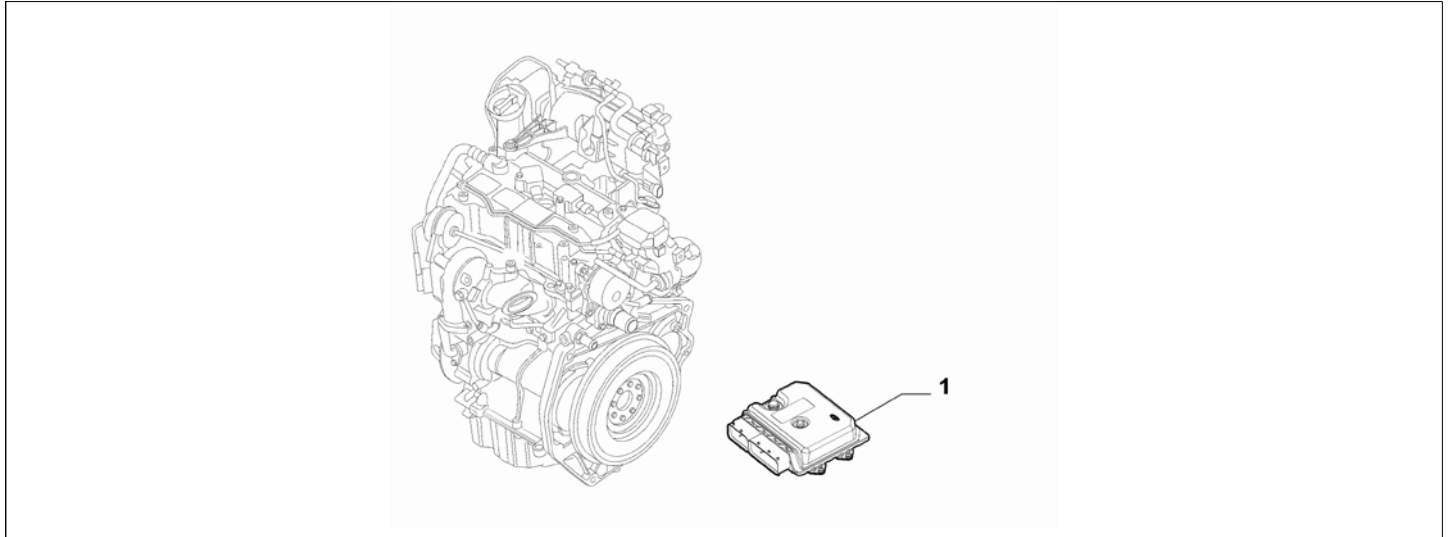
Catalogue	MITO 2013-2018	
Category	3.7 FUEL INJECTION SYSTEM	
Var.	04	875CC + 85HP + TURBO + PETROL
Rev.	00	



Part Num.	Description	Compatibility	Modif.	Qty	Notes	Col.	Reman.
1	51935080 INJECTION CTRLUNITS			1			

Legend	
TURBO	(ASPIRATED/TURBO):TURBO
875CC	HORSE POWER (MARKET):875
PETROL	FUEL:PETROL
85HP	POWER:1.3 SDE 85HP EURO5

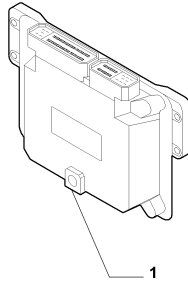
Catalogue	MITO 2013-2018	
Category	3.7 FUEL INJECTION SYSTEM	
Var.	05	875CC + 105HP + TURBO + PETROL
Rev.	00	



Part Num.	Description	Compatibility	Modif.	Qty	Notes	Col.	Reman.
1	51958131	INJECTION CTRLUNITS	!7JE	1			
1	51986260	INJECTION CTRLUNITS	!7JE	1			
1	52011147	INJECTION CTRLUNITS	!7JE	1			
1	52018621	INJECTION CTRLUNITS	!7JE	1			
1	52026732	INJECTION CTRLUNITS	!7JE	1			
1	52062461	INJECTION CTRLUNITS	!7JE	1			
1	52099674	INJECTION CTRLUNITS	!7JE	1			
1	51976612	INJECTION CTRLUNITS	7JE	1			
1	51994066	INJECTION CTRLUNITS	7JE	1			
1	52011148	INJECTION CTRLUNITS	7JE	1			
1	52018622	INJECTION CTRLUNITS	7JE	1			
1	52026733	INJECTION CTRLUNITS	7JE	1			

Legend	
7JE	REDUCTION OF CARBON DIOXIDE 4
TURBO	(ASPIRATED/TURBO):TURBO
875CC	HORSE POWER (MARKET):875
PETROL	FUEL:PETROL
105HP	POWER:0.9 TWINAIR 105HP
17508	New engine control module + new throttle body + new engine wiring [DAT 09/05/2014, TEL X023623]
17509	New engine control module [DAT 30/05/2014]
18108	New engine control module [DAT 16/01/2015]
18251	New engine control module [DAT 08/01/2015]
18975	New engine control module [DAT 07/05/2015]
19861	New engine control module [DAT 14/09/2015]
20460	New engine control module due to cranking calibration [TEL X059197 (!7JE)]
21726	New engine control module [DAT 04/09/2017]

Catalogue	MITO 2013-2018	
Category	3.7 FUEL INJECTION SYSTEM	
Var.	06	1.3D + DIESEL
Rev.	00	

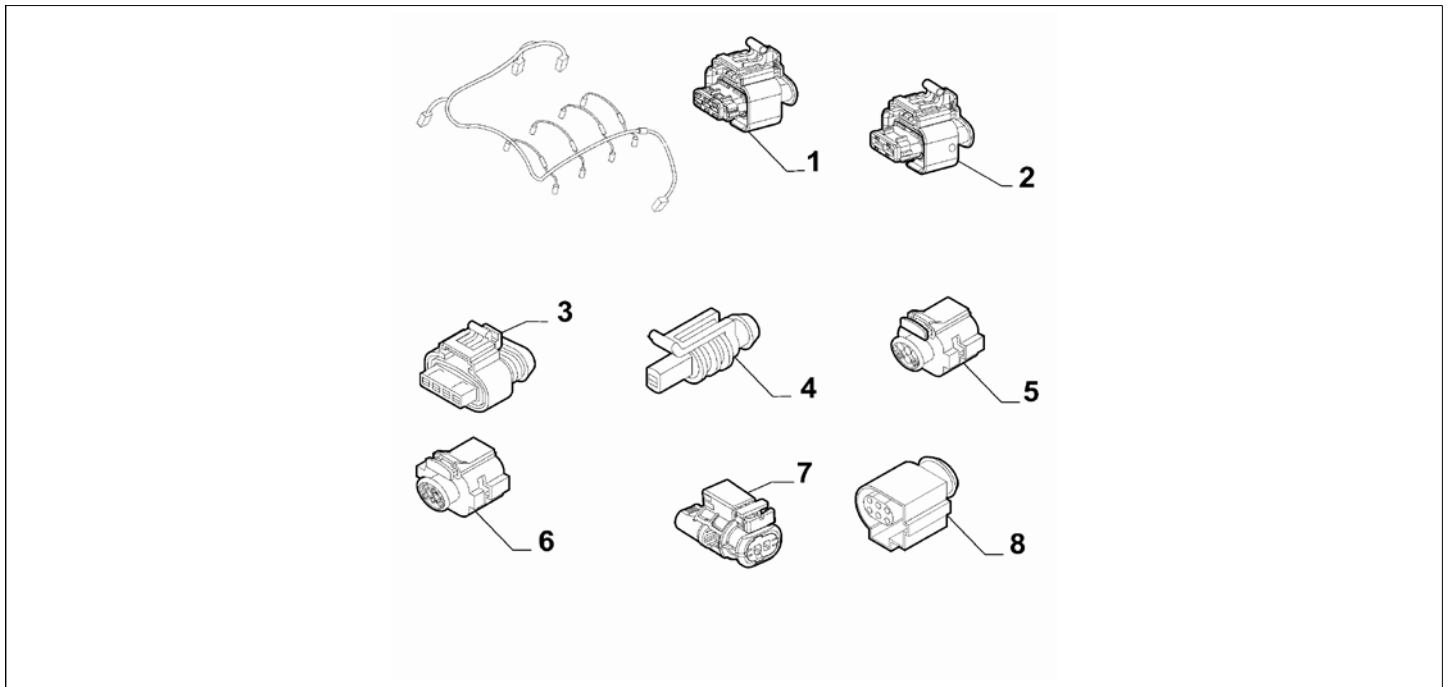


Part Num.	Description	Compatibility	Modif.	Qty	Notes	Col.	Reman.
1	55277074	INJECTION CTRLUNITS	I7JE	C20458	1		
1	55281202	INJECTION CTRLUNITS	I7JE	D20458, C20752	1		
1	55282043	INJECTION CTRLUNITS	I7JE	D20752	1		
1	55277077	INJECTION CTRLUNITS	7JE	C20458	1		
1	55281203	INJECTION CTRLUNITS	7JE	D20458, C20752	1		
1	55282044	INJECTION CTRLUNITS	7JE	D20752, C23077	1		
1	52094259	INJECTION CTRLUNITS	S/S+7JE+EURO6	D23077	1		

Legend	
S/S	STOP&START
7JE	REDUCTION OF CARBON DIOXIDE 4
1.3D	HORSE POWER (MARKET):
DIESEL	FUEL:DIESEL
EURO6	ECOLOGY:EURO 6

20458	NEW ENGINE MANAGEMENT CONTROL UNITS [TEL X057669 (I7JE) , TEL X058510 (7JE)]
20752	NEW CCDPF + NEW ENGINE CONTROL MODULE [DAT 24/02/2017]
23077	SOSTITUZIONE CENTRALINA CONTROLLO MOTORE MARELLI MJD [DAT 20/11/2017]

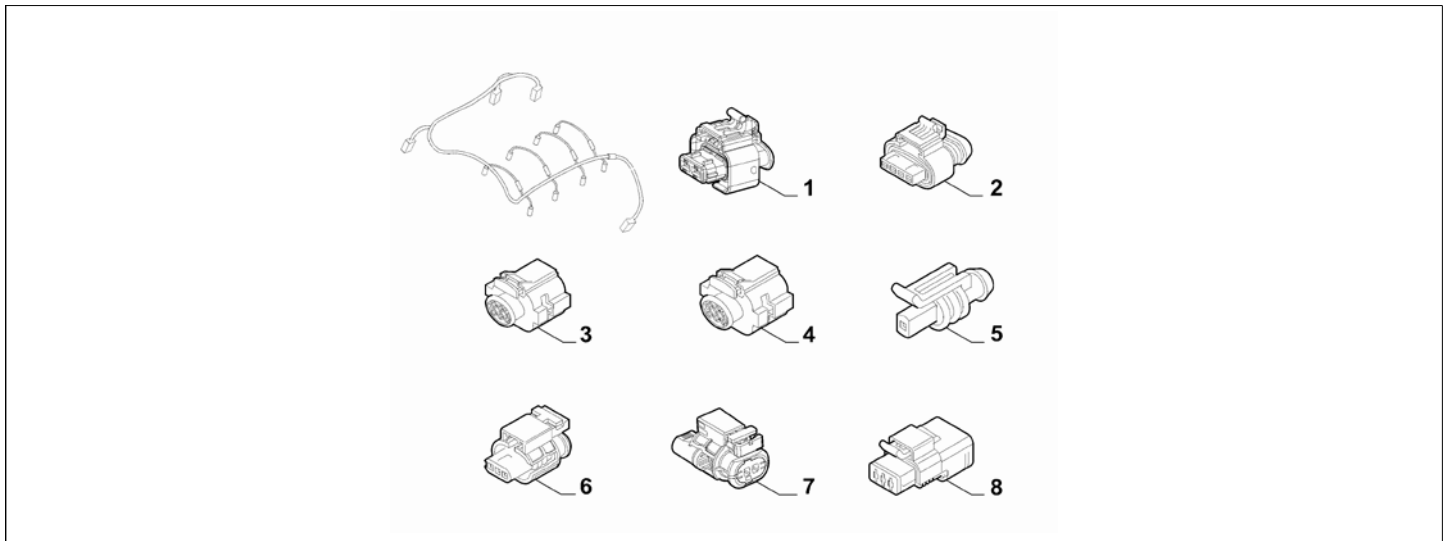
Catalogue	MITO 2013-2018	
Category	3.7 FUEL INJECTION SYSTEM	
Var.	01	1.3D + DIESEL + 85HP + EURO5
Rev.	00	



Part Num.	Description	Compatibility	Modif.	Qty	Notes	Col.	Reman.
1	71749543 CONNECTOR KIT			01			
2	71749541 CONNECTOR KIT			07			
3	71749544 CONNECTOR KIT			02			
4	71749527 CONNECTOR KIT			01			
5	71749548 CONNECTOR KIT			01			
6	71749549 CONNECTOR KIT			01			
7	71749545 CONNECTOR KIT			01			
8	71749546 CONNECTOR KIT			01			

Legend	
1.3D	HORSE POWER (MARKET):
DIESEL	FUEL:DIESEL
EURO5	ECOLOGY:LIM.ECC PHASE 5
85HP	POWER:1.3 SDE 85HP EURO5

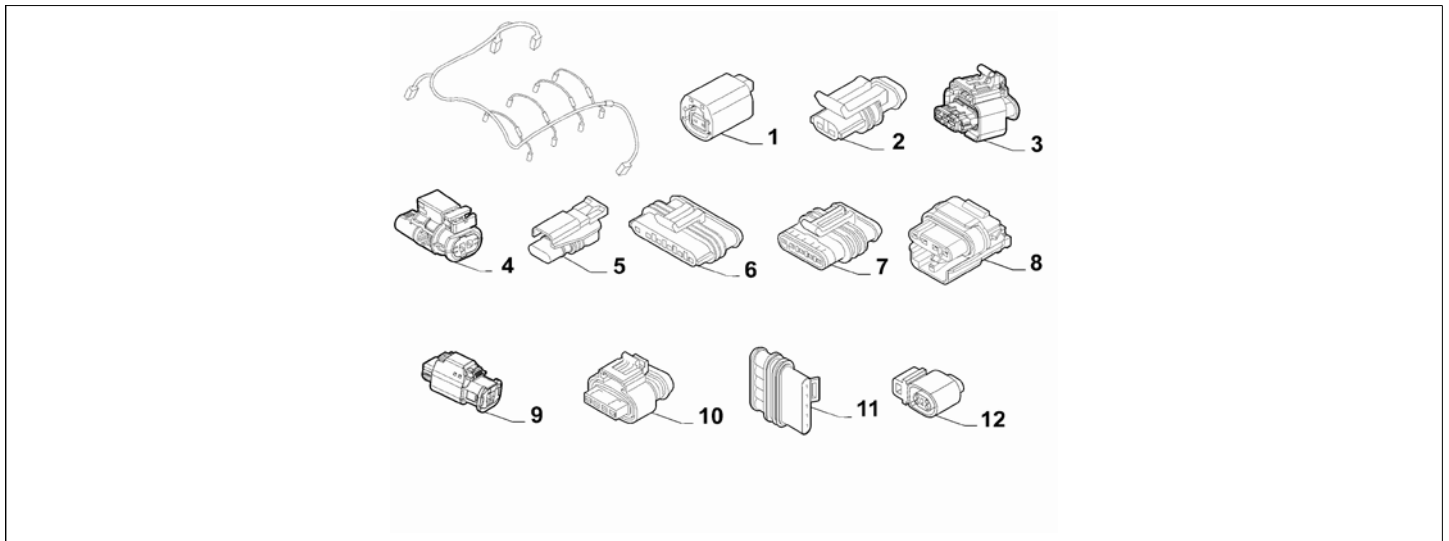
Catalogue	MITO 2013-2018	
Category	3.7 FUEL INJECTION SYSTEM	
Var.	02	1.6D + DIESEL + !6Y4 + 120HP
Rev.	00	



Part Num.	Description	Compatibility	Modif.	Qty	Notes	Col.	Reman.
1	71749541	CONNECTOR KIT, FOR INJECTOR		3			
1	71749541	CONNECTOR KIT, FUEL PRESSURE REGULATOR		1			
1	71749541	CONNECTOR KIT, EGR cooling by pass		1			
1	71749541	CONNECTOR KIT, ENGINE COOLANT TEMPERATURE SENSOR		1			
2	71749544	CONNECTOR KIT, TURBO PRESSURE AND AIR TEMPERATURE SENSOR		1			
3	71749548	CONNECTOR KIT, EGR SOLENOID VALVE		1			
4	71749549	CONNECTOR KIT, THROTTLE SOLENOID VALVE		1			
5	71749527	CONNECTOR KIT, OIL PRESSURE SWITCH		1			
6	71749546	CONNECTOR KIT, PHASE SENSOR		1			
7	71749545	CONNECTOR KIT, ENGINE RPM SENSOR		1			
8	71774242	CONNECTOR KIT, ENGINE OIL LEVEL SENSOR		1			

Legend	
6Y4	EURO 5+
1.6D	HORSE POWER (MARKET):1598
DIESEL	FUEL:DIESEL
120HP	POWER:1.6 JTD EURO5 -1.4 FIRE TRB 120HP

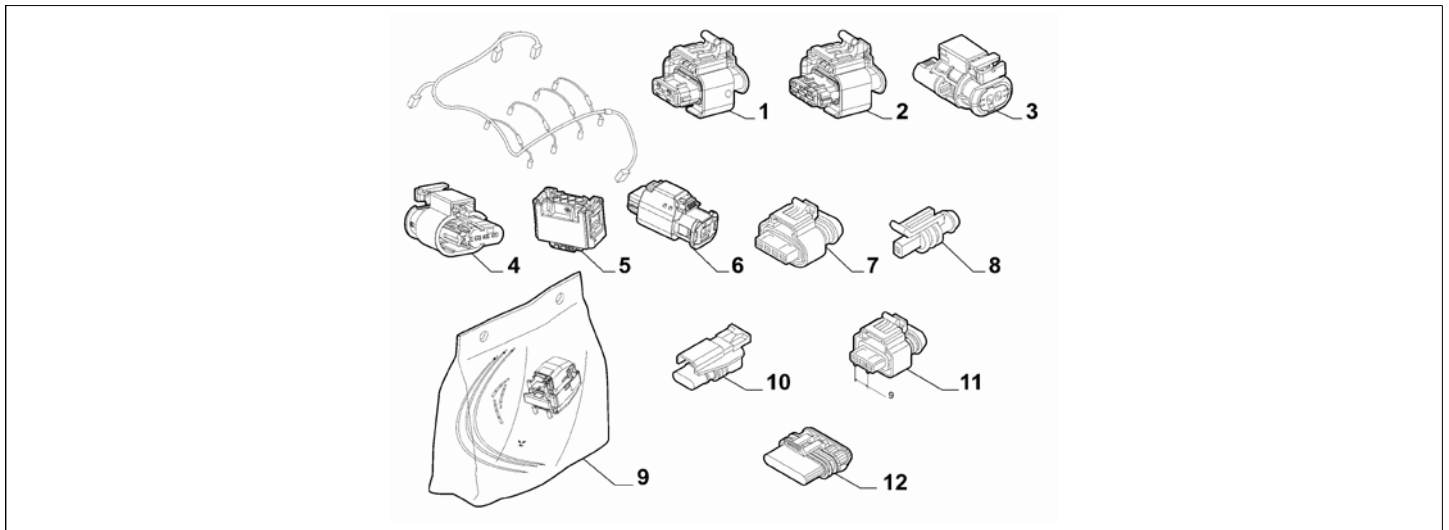
Catalogue	MITO 2013-2018	
Category	3.7 FUEL INJECTION SYSTEM	
Var.	03	1.4 + PETROL + 8V
Rev.	00	



Part Num.	Description	Compatibility	Modif.	Qty	Notes	Col.	Reman.
1	71753273	CONNECTOR KIT, KNOCK SENSOR		1			
2	71774003	CONNECTION, CANISTER SOLENOID VALVE		1			
3	71749543	CONNECTOR KIT, PHASE SENSOR		1			
4	71749545	CONNECTOR KIT, PHASE VARIATOR		2			
5	71774042	CONNECTOR KIT, CATALYTIC CONVERTER UPSTREAM AND DOWNSTREAM LAMBDA SENSORS		2			
6	71774014	CONNECTOR KIT, IGNITION COIL		1			
7	71774040	CONNECTOR KIT, ENGINE WIRING HARNESS-INJECTOR WIRING HARNESS		1			
8	71774111	CONNECTOR KIT, OXYGEN SENSOR UPSTREAM OF CATALYTIC CONVERTER		1			
9	71771941	CONNECTOR KIT, ENGINE COOLANT TEMPERATURE SENSOR		1			
10	71749544	CONNECTOR KIT, ABSOLUTE PRESSURE + AIR TEMPERATURE SENSOR		1			
11	71774040	CONNECTOR KIT, DIESEL FILTER SENSOR		1			
12	71774155	CONNECTOR KIT, AIR CONDITIONER COMPRESSOR		1			

Legend	
1.4	HORSE POWER (MARKET):1370
PETROL	FUEL:PETROL
8V	TOTAL NUMBER OF VALVES:8 VALVES

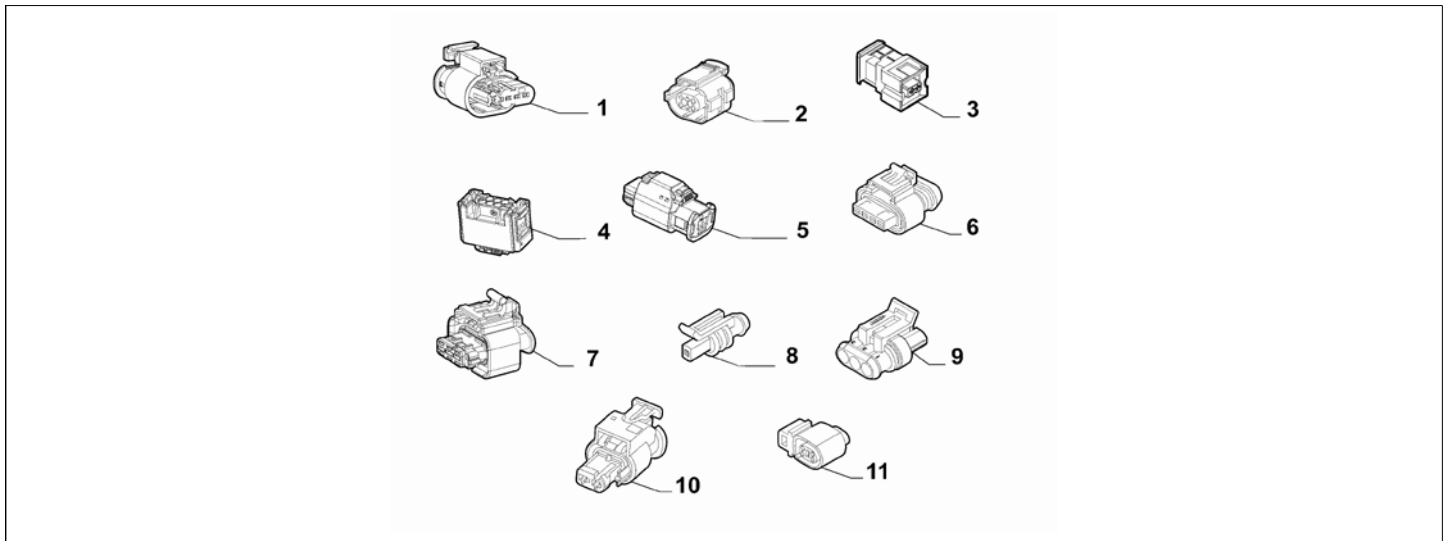
Catalogue	MITO 2013-2018	
Category	3.7 FUEL INJECTION SYSTEM	
Var.	04	1.4 + PETROL + 16V + 120HP + EURO5
Rev.	00	



Part Num.	Description	Compatibility	Modif.	Qty	Notes	Col.	Reman.
1	71749541	CONNECTOR KIT, CANISTER SOLENOID VALVE		1			
1	71749541	CONNECTOR KIT, KNOCK SENSOR		1			
1	71749541	CONNECTOR KIT, DUMP SOLENOID VALVE		1			
1	71749541	CONNECTOR KIT, 1-2-3-4 UNIAIR VVA ACTUATOR		4			
2	71749543	CONNECTOR KIT, PHASE SENSOR		1			
3	71749545	CONNECTOR KIT, ENGINE RPM SENSOR		1			
4	71752816	CONNECTOR KIT, IGNITION COIL, CYLINDER 1-2-3-4		4			
5	71752817	CONNECTOR KIT, MOTORISED THROTTLE ACTUATOR		1			
6	71771941	CONNECTOR KIT, ENGINE COOLANT TEMPERATURE SENSOR		1			
7	71749544	CONNECTOR KIT, ABSOLUTE PRESSURE + AIR TEMPERATURE SENSOR		1			
8	71749524	CONNECTOR KIT, ENGINE OIL PRESSURE SENSOR		1			
9	71774089	CONNECTOR KIT, ROBOTIZED GEARBOX NODE		1			
10	71774042	CONNECTOR KIT, CATALYTIC CONVERTER UPSTREAM AND DOWNSTREAM LAMBDA SENSORS		2			
11	71749543	CONNECTOR KIT, TURBO PRESSURE SENSOR		1			
12	71774101	CONNECTOR KIT, ENGINE INJECTORS		1			

Legend	
1.4	HORSE POWER (MARKET):1370
PETROL	FUEL:PETROL
EURO5	ECOLOGY:LIM.ECC PHASE 5
120HP	POWER:1.6 JTD EURO5 -1.4 FIRE TRB 120HP
16V	TOTAL NUMBER OF VALVES:16 VALVES

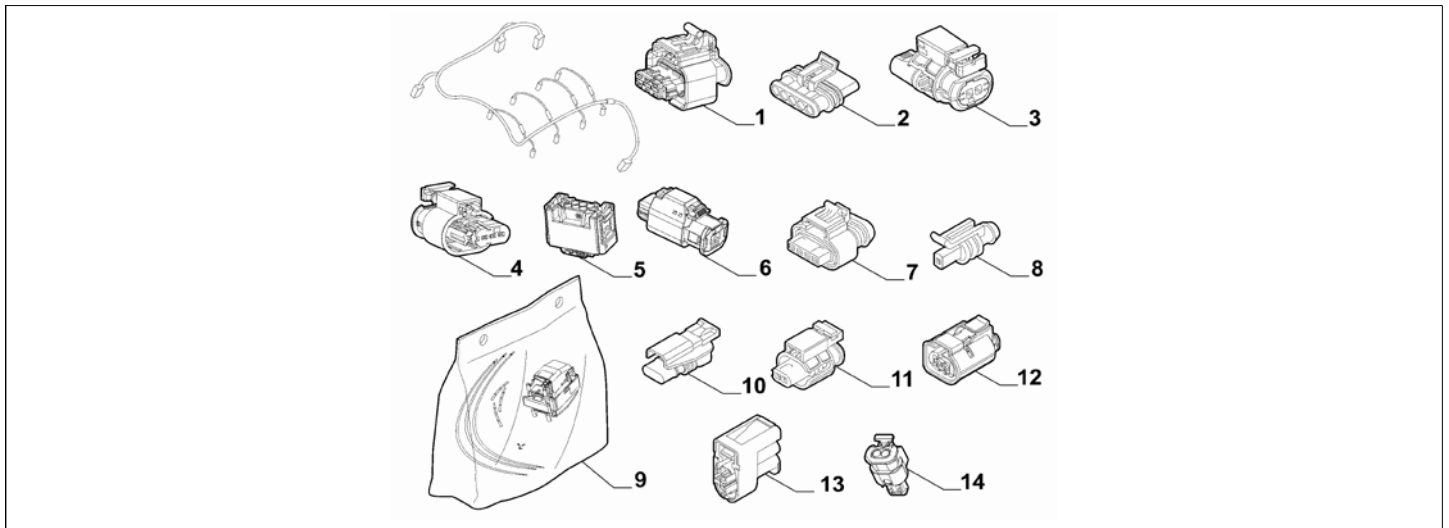
Catalogue	MITO 2013-2018	
Category	3.7 FUEL INJECTION SYSTEM	
Var.	05	875CC + (105HP, 85HP) + TURBO + PETROL
Rev.	00	



Part Num.	Description	Compatibility	Modif.	Qty	Notes	Col.	Reman.
1	71752816	CONNECTOR KIT, FOR IGNITION COIL		2			
2	71774041	CONNECTOR KIT, CANISTER SOLENOID VALVE	105HP	1			
3	71749540	CONNECTOR KIT, SUMP SV		1			
4	71752817	CONNECTOR KIT, MOTORIZED THROTTLE ACTUATOR		1			
5	71771941	CONNECTOR KIT, ENGINE COOLANT TEMPERATURE SENSOR	85HP	1			
6	71749544	CONNECTOR KIT, ABSOLUTE PRESSURE + AIR TEMPERATURE SENSOR		1			
7	71749543	CONNECTOR KIT, PHASE SENSOR	85HP	1			
7	71749543	CONNECTOR KIT, TURBO PRESSURE SENSOR	105HP	1			
8	71749527	CONNECTOR KIT, ENGINE OIL PRESSURE SENSOR	85HP	1			
9	71774007	CONNECTION, ENGINE PRE-WIRING, INJECTOR PRE-WIRING		1			
10	71774128	CONNECTOR KIT, OIL PUMP SOLENOID VALVE		1			
10	71774128	CONNECTOR KIT, HEATER ON BLOW-BY PIPE		1			
11	71774155	CONNECTOR KIT, AIR CONDITIONER COMPRESSOR		1			

Legend	
TURBO	(ASPIRATED/TURBO):TURBO
875CC	HORSE POWER (MARKET):875
PETROL	FUEL:PETROL
85HP	POWER:1.3 SDE 85HP EURO5
105HP	POWER:0.9 TWINAIR 105HP

Catalogue	MITO 2013-2018	
Category	3.7 FUEL INJECTION SYSTEM	
Var.	06	1.4 + PETROL + 16V + 120HP + EURO6
Rev.	00	



Part Num.	Description	Compatibility	Modif.	Qty	Notes	Col.	Reman.
1	71749543 CONNECTOR KIT, PHASE SENSOR			1			
1	71749543 CONNECTOR KIT, TURBO PRESSURE SENSOR			1			
2	71774101 CONNECTOR KIT, ENGINE INJECTOR CONNECTION			1			
3	71772502 CONNECTOR KIT, FUEL PRESSURE SENSOR			1			
3	71749545 CONNECTOR KIT, ENGINE RPM SENSOR			1			
4	71752816 CONNECTOR KIT, IGNITION COIL, CYLINDER 1-2-3-4			4			
5	71752817 CONNECTOR KIT, MOTORISED THROTTLE ACTUATOR			1			
6	71771941 CONNECTOR KIT, ENGINE COOLANT TEMPERATURE SENSOR			1			
7	71749544 CONNECTOR KIT, ABSOLUTE PRESSURE + AIR TEMPERATURE SENSOR			1			
8	71749524 CONNECTOR KIT, ENGINE OIL PRESSURE SENSOR			1			
9	71774089 CONNECTOR KIT, ROBOTIZED GEARBOX NODE			1			
10	71774042 CONNECTOR KIT, CATALYTIC CONVERTER UPSTREAM AND DOWNSTREAM LAMBDA SENSORS			2			
11	71749545 CONNECTOR KIT, ENGINE RPM SENSOR			1			
12	71774127 CONNECTOR KIT, Alternator			1			
13	71774155 CONNECTOR KIT, AIR CONDITIONER COMPRESSOR			1			
14	71774128 CONNECTOR KIT, CONDENSER SUPPRESSOR			1			

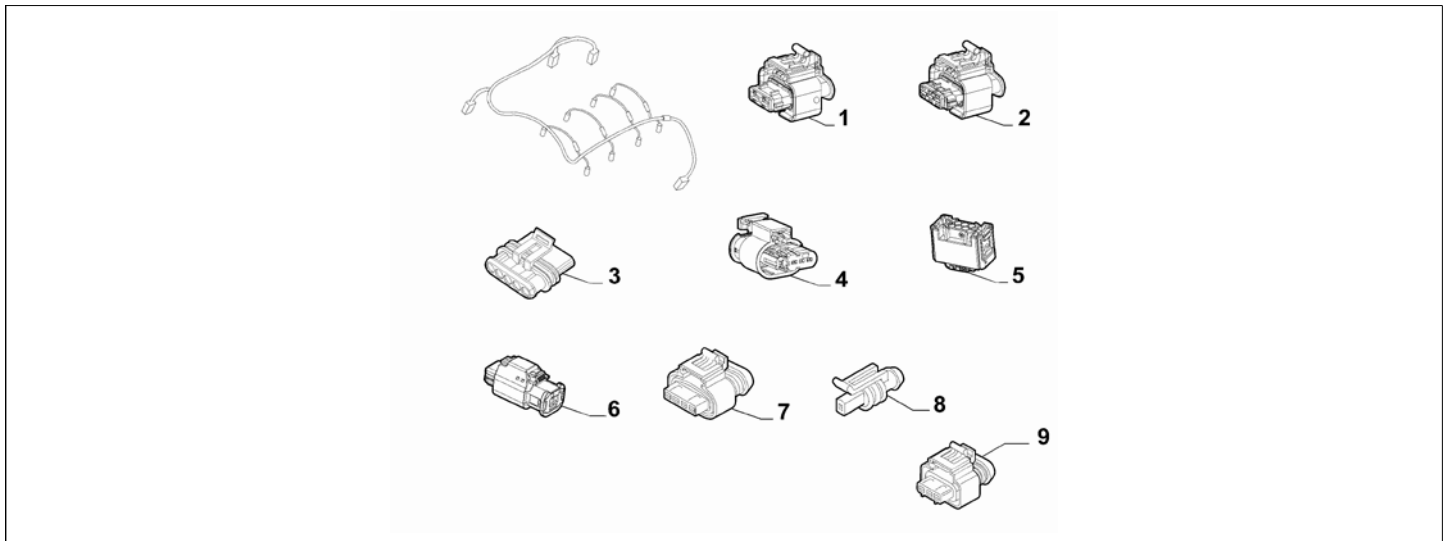
Legend	
1.4	HORSE POWER (MARKET):1370

MiTo 2013-2018



PETROL	FUEL:PETROL
EURO6	ECOLOGY:EURO 6
120HP	POWER:1.6 JTD EURO5 -1.4 FIRE TRB 120HP
16V	TOTAL NUMBER OF VALVES:16 VALVES

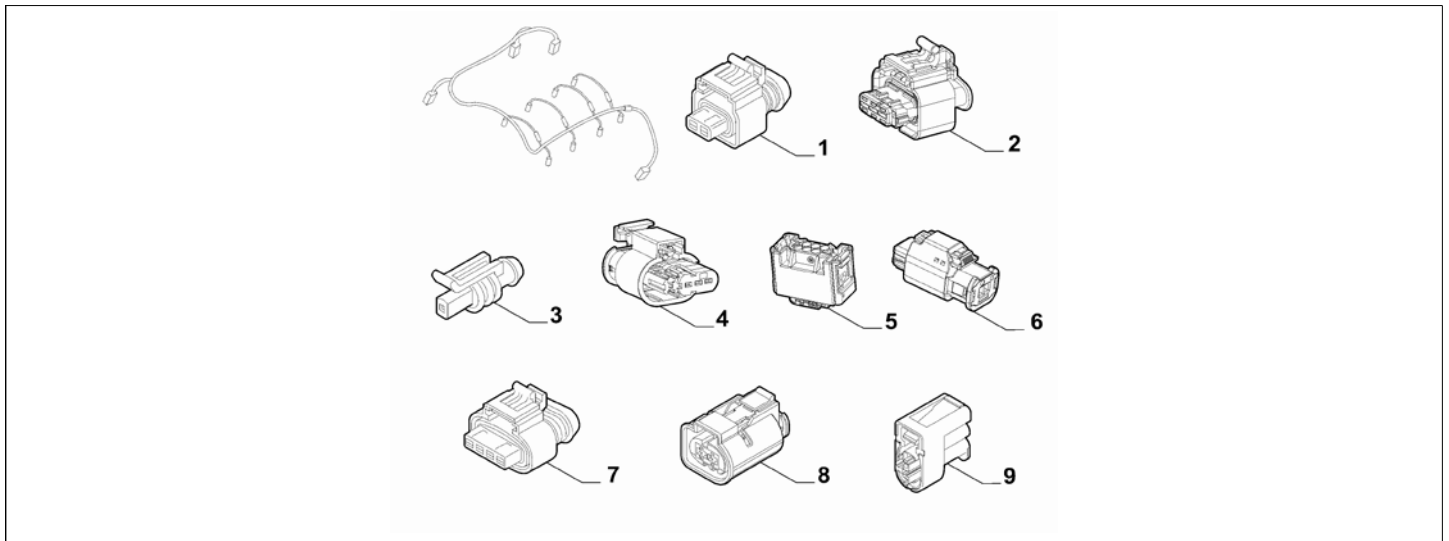
Catalogue	MITO 2013-2018	
Category	3.7 FUEL INJECTION SYSTEM	
Var.	07	1.4 + PETROL + 16V + (135HP, 170HP) + EURO5
Rev.	00	



Part Num.	Description	Compatibility	Modif.	Qty	Notes	Col.	Reman.
1	71749541	CONNECTOR KIT, CANISTER SOLENOID VALVE		1			
1	71749541	CONNECTOR KIT, KNOCK SENSOR		1			
1	71749541	CONNECTOR KIT, DUMP SOLENOID VALVE		1			
1	71749541	CONNECTOR KIT, 1-2-3-4 UNIAIR VVA ACTUATOR		4			
1	71749541	CONNECTOR KIT, VVA OIL TEMPERATURE SENSOR		1			
2	71749543	CONNECTOR KIT, PHASE SENSOR		1			
3	71774101	CONNECTOR KIT, INJECTOR HARNESS CONNECTION		1			
4	71752816	CONNECTOR KIT, IGNITION COIL, CYLINDER 1-2-3-4		4			
5	71752817	CONNECTOR KIT, MOTORIZED THROTTLE ACTUATOR		1			
6	71771941	CONNECTOR KIT, ENGINE COOLANT TEMPERATURE SENSOR		1			
7	71749544	CONNECTOR KIT, ABSOLUTE PRESSURE + AIR TEMPERATURE SENSOR		1			
8	71749524	CONNECTOR KIT, ENGINE OIL PRESSURE SENSOR		1			
9	71749543	CONNECTOR KIT, TURBO PRESSURE SENSOR		1			

Legend	
1.4	HORSE POWER (MARKET):1370
PETROL	FUEL:PETROL
EURO5	ECOLOGY:LIM.ECC PHASE 5
170HP	POWER:1.4 FIRE 16V TURBO MULTIAIR 170HP EURO 5
135HP	POWER:1.4 FIRE 16V TURBO MULTIAIR 135 HP EURO 5
16V	TOTAL NUMBER OF VALVES:16 VALVES

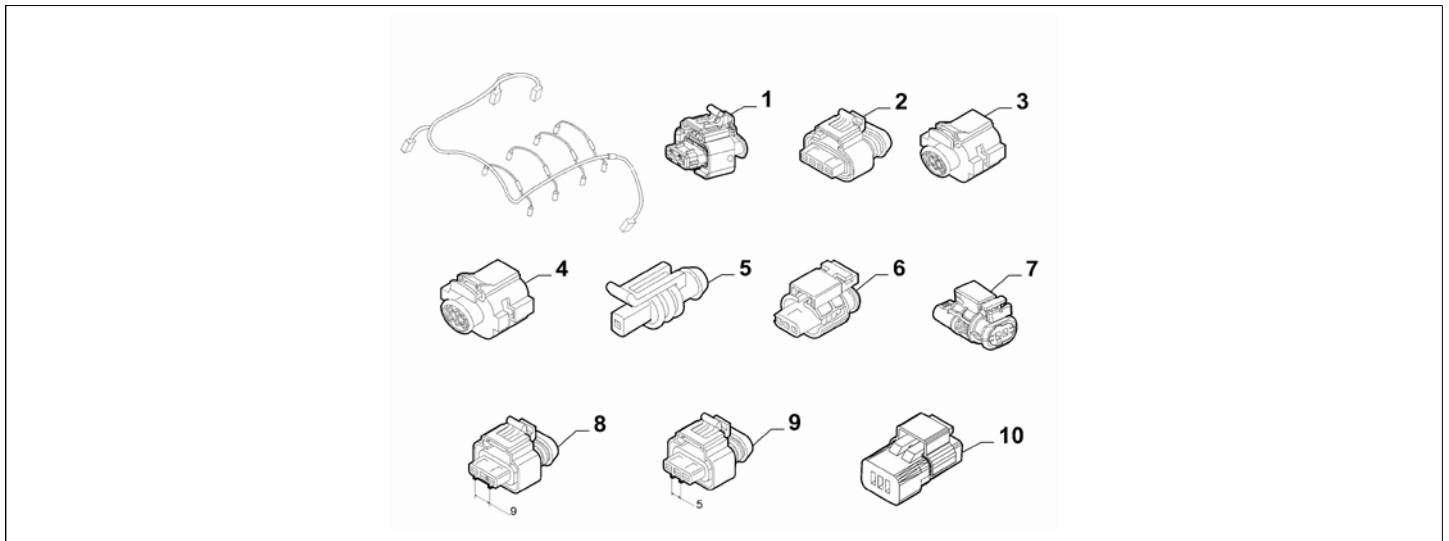
Catalogue	MITO 2013-2018	
Category	3.7 FUEL INJECTION SYSTEM	
Var.	08	1.4 + PETROL + 16V + (140HP, 170HP) + EURO6
Rev.	00	



Part Num.	Description	Compatibility	Modif.	Qty	Notes	Col.	Reman.
1	71774101	CONNECTOR KIT, INJECTOR HARNESS CONNECTION		1			
2	71749543	CONNECTOR KIT, PHASE SENSOR		1			
3	71749524	CONNECTOR KIT, ENGINE OIL PRESSURE SENSOR		1			
4	71752816	CONNECTOR KIT, IGNITION COIL, CYLINDER 1-2-3-4		2			
5	71752817	CONNECTOR KIT, MOTORISED THROTTLE ACTUATOR		1			
6	71771941	CONNECTOR KIT, ENGINE COOLANT TEMPERATURE SENSOR		1			
7	71749544	CONNECTOR KIT, ABSOLUTE PRESSURE + AIR TEMPERATURE SENSOR		1			
8	71774127	CONNECTOR KIT, Alternator		1			
9	71774155	CONNECTOR KIT, AIR CONDITIONER COMPRESSOR		1			

Legend	
1.4	HORSE POWER (MARKET):1370
PETROL	FUEL:PETROL
EURO6	ECOLOGY:EURO 6
140HP	POWER:1.4 16V TURBO MULTIAIR 140 HP EURO 6
170HP	POWER:1.4 FIRE 16V TURBO MULTIAIR 170HP EURO 5
16V	TOTAL NUMBER OF VALVES:16 VALVES

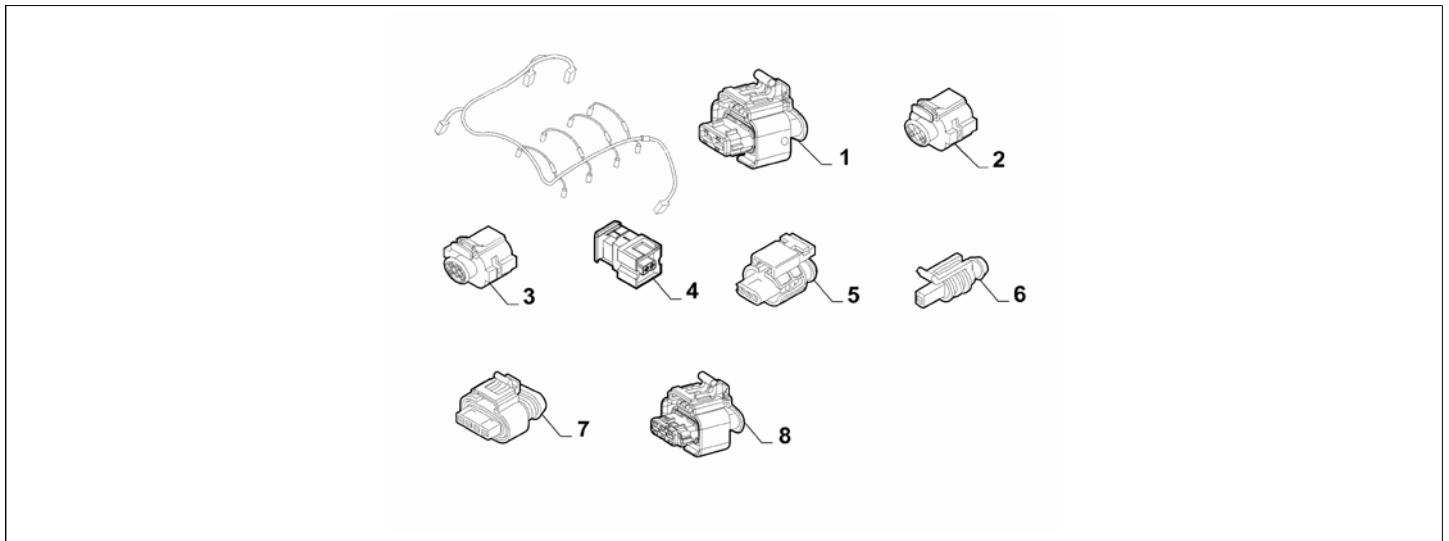
Catalogue	MITO 2013-2018	
Category	3.7 FUEL INJECTION SYSTEM	
Var.	09	1.6D + DIESEL + !6Y4 + 120HP
Rev.	00	



Part Num.	Description	Compatibility	Modif.	Qty	Notes	Col.	Reman.
1	71749541	CONNECTOR KIT, EGR cooling by pass		1			
1	71749541	CONNECTOR KIT, ENGINE COOLANT TEMPERATURE SENSOR		1			
2	71749544	CONNECTOR KIT, TURBO PRESSURE AND AIR TEMPERATURE SENSOR		1			
3	71749548	CONNECTOR KIT, EGR SOLENOID VALVE		1			
4	71749549	CONNECTOR KIT, THROTTLE SOLENOID VALVE		1			
5	71749527	CONNECTOR KIT, OIL PRESSURE SWITCH		1			
6	71749546	CONNECTOR KIT, PHASE SENSOR		1			
7	71749545	CONNECTOR KIT, ENGINE RPM SENSOR		1			
8	71774242	CONNECTOR KIT, VGT POSITION SENSOR		1			
9	71772502	CONNECTOR KIT		1			
10	71774242	CONNECTOR KIT, ENGINE OIL LEVEL SENSOR		1			

Legend	
6Y4	EURO 5+
1.6D	HORSE POWER (MARKET):1598
DIESEL	FUEL:DIESEL
120HP	POWER:1.6 JTD EURO5 -1.4 FIRE TRB 120HP

Catalogue	MITO 2013-2018	
Category	3.7 FUEL INJECTION SYSTEM	
Var.	10	1.3D + DIESEL + EURO6
Rev.	00	



Part Num.	Description	Compatibility	Modif.	Qty	Notes	Col.	Reman.
1	71749541 CONNECTOR KIT, PEDESTRIAN WARNING BUZZER			02			
1	71749541 CONNECTOR KIT, EGR COOLING BY-PASS SOLENOID VALVE			02			
1	71749541 CONNECTOR KIT, ENGINE COOLANT TEMPERATURE SENSOR			02			
2	71749548 CONNECTOR KIT, EGR SOLENOID VALVE			01			
3	71749549 CONNECTOR KIT, THROTTLE BODY SOLENOID VALVE			01			
4	71749540 CONNECTOR KIT, WASTEGATE SOLENOID VALVE			02			
5	71749546 CONNECTOR KIT, PHASE SENSOR			01			
6	71749527 CONNECTOR KIT, ENGINE OIL PRESSURE SENSOR			01			
7	71749544 CONNECTOR KIT, ABSOLUTE PRESSURE + AIR TEMPERATURE SENSOR			01			
8	71749543 CONNECTOR KIT, TURBO PRESSURE SENSOR			01			

Legend	
1.3D	HORSE POWER (MARKET):
DIESEL	FUEL:DIESEL
EURO6	ECOLOGY:EURO 6