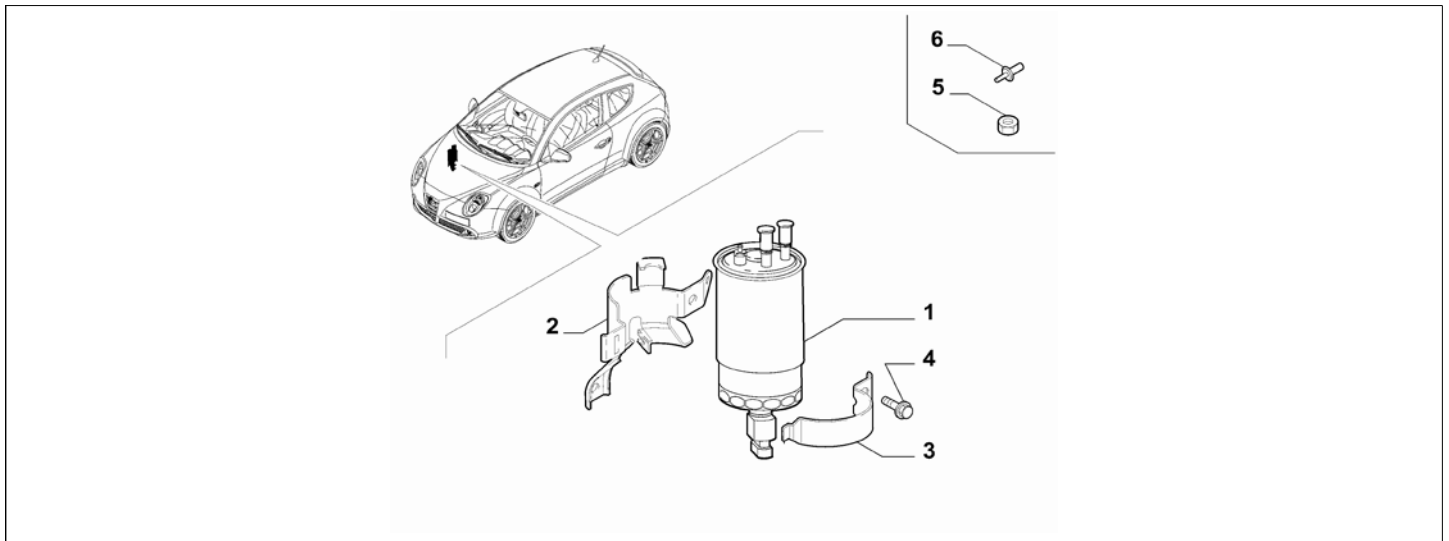


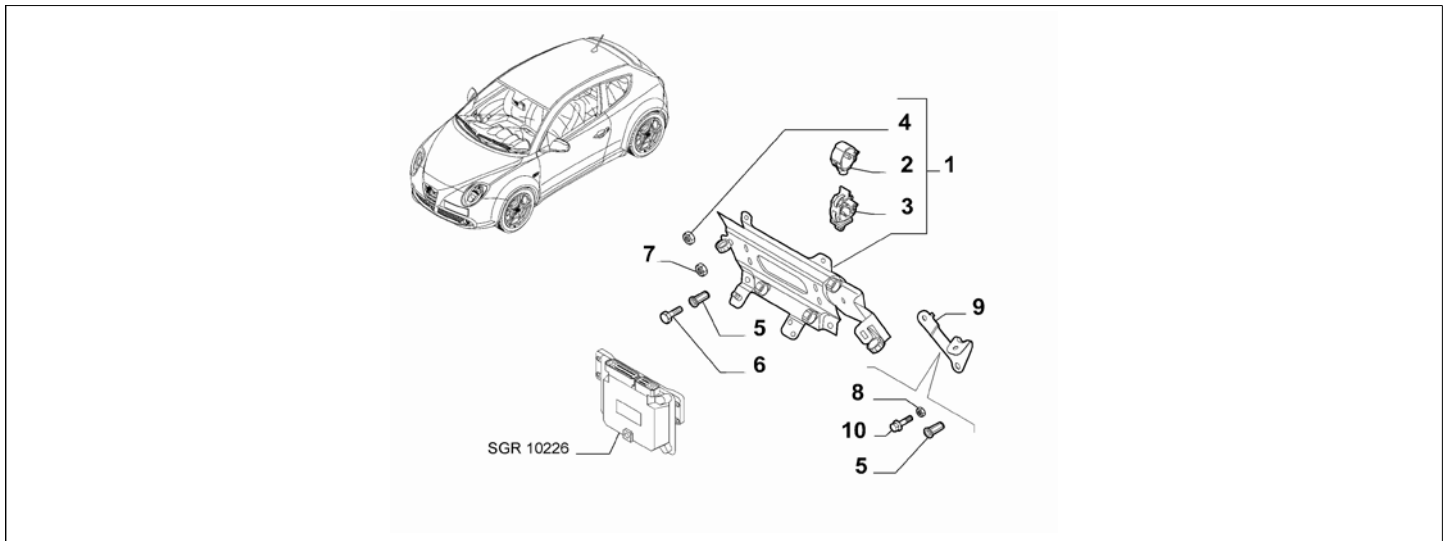
Catalogue	MITO 2013-2018	
Category	3.6 PRE FILTER	
Var.	01	1.3D, 1.6D
Rev.	00	



Part Num.	Description	Compatibility	Modif.	Qty	Notes	Col.	Reman.
1	60693681 FUEL FILTER	EURO5		1			
1	52034568 FUEL FILTER	1.3D+EURO6		1			
2	55702105 BRACKET	EURO5		1			
2	52034571 BRACKET	EURO6		1			
3	55702104 BRACKET			1			
4	16296921 SCREW, M6X14			1			
4	11731024 SCREW, M6X28			1			
5	13046114 NUT	1.3D+EURO6		2			
6	14261391 RIVET	1.3D+EURO6		1			

Legend	
1.3D	HORSE POWER (MARKET):
1.6D	HORSE POWER (MARKET):1598
EURO5	ECOLOGY:LIM.ECC PHASE 5
EURO6	ECOLOGY:EURO 6

Catalogue	MITO 2013-2018	
Category	3.6 PRE FILTER	
Var.	01	
Rev.	00	



Part Num.	Description	Compatibility	Modif.	Qty	Notes	Col.	Reman.
1	51903235	BRACKET	1.3D	C16821	1		
1	50531739	BRACKET	1.3D	D16821	1		
1	51913758	BRACKET	875CC	C16821	1		
1	50531740	BRACKET	875CC	D16821	1		
1	50519484	BRACKET	1.6D+6Y4		1		
1	50519484	BRACKET	1.4+120HP+EURO5		1		
1	50519485	BRACKET	135HP, 170HP		1		
1	50528415	BRACKET	1.4+120HP+EURO6		1		
1	50530458	BRACKET	NOTURBO+EURO6		1		
1	50527691	BRACKET	1.6D+6Y4		1		
1	50539857	BRACKET	1.3D+EURO6		1		
2	46517034	CLIP			3		
2	52042921	CLIP	1.3D+EURO6		1		
3	46817858	CLIP	LPG		1		
3	46817858	CLIP	1.3D		1		
3	46817858	CLIP	875CC		1		
4	14084211	NUT, M6			4		
5	15624411	RIVET	1.4+EURO5		2		
5	15624411	RIVET	1.4+TURBO+EURO6		2		
5	15624411	RIVET	1.6D		2		
5	15624411	RIVET	875CC, 1.3D		1		
6	16286324	SCREW	1.4+EURO5		2		
6	16286324	SCREW	1.4+TURBO+EURO6		2		
6	16286324	SCREW	1.6D		2		
7	14084711	NUT, M6	1.4+EURO5		2		
7	14084711	NUT, M6	1.4+TURBO+EURO6		2		
7	14084711	NUT, M6	1.6D		2		
8	14084211	NUT, M6	875CC, 1.3D		1		
9	51754582	BRACKET	875CC, 1.3D		1		
10	18750224	SCREW, M6X14	875CC, 1.3D		1		

Legend	
LPG	LPG FUELING (ITALY STANDARD)
6Y4	EURO 5+

NOTURBO	(ASPIRATED/TURBO):EXHAUST FAN
TURBO	(ASPIRATED/TURBO):TURBO
875CC	HORSE POWER (MARKET):875
1.3D	HORSE POWER (MARKET):
1.4	HORSE POWER (MARKET):1370
1.6D	HORSE POWER (MARKET):1598
EURO5	ECOLOGY:LIM.ECC PHASE 5
EURO6	ECOLOGY:EURO 6
170HP	POWER:1.4 FIRE 16V TURBO MULTIAIR 170HP EURO 5
120HP	POWER:1.6 JTD EURO5 -1.4 FIRE TRB 120HP
135HP	POWER:1.4 FIRE 16V TURBO MULTIAIR 135 HP EURO 5
16821	New control unit fixing bracket, changed material and thickness [DAT 19/04/2013]