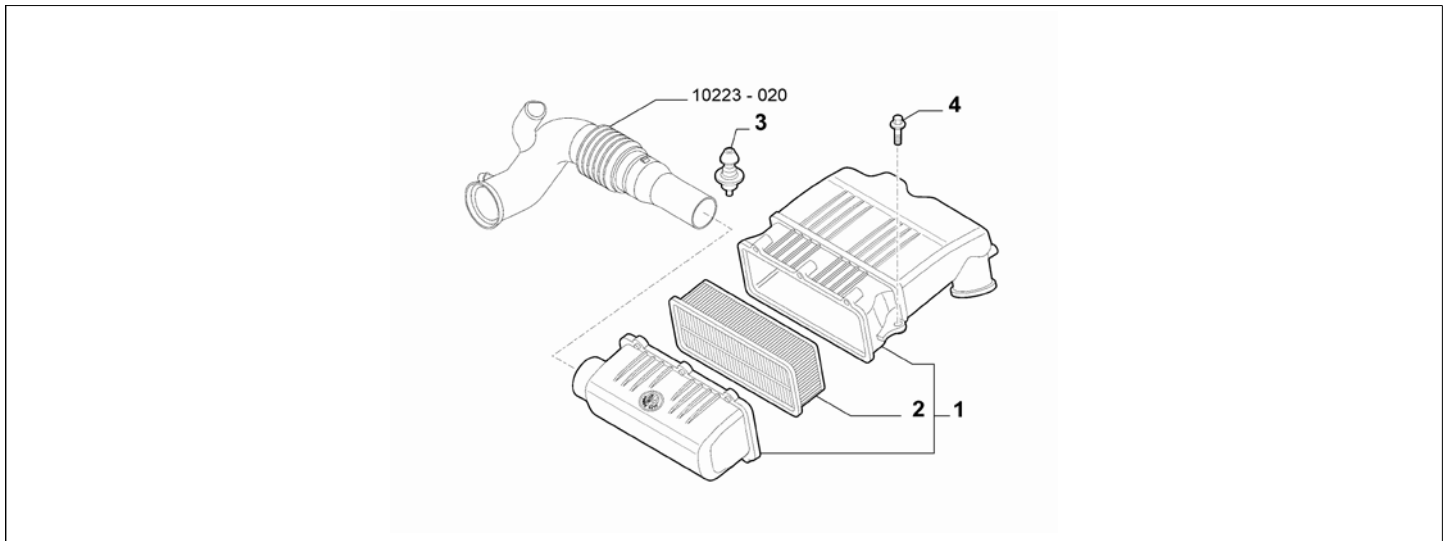


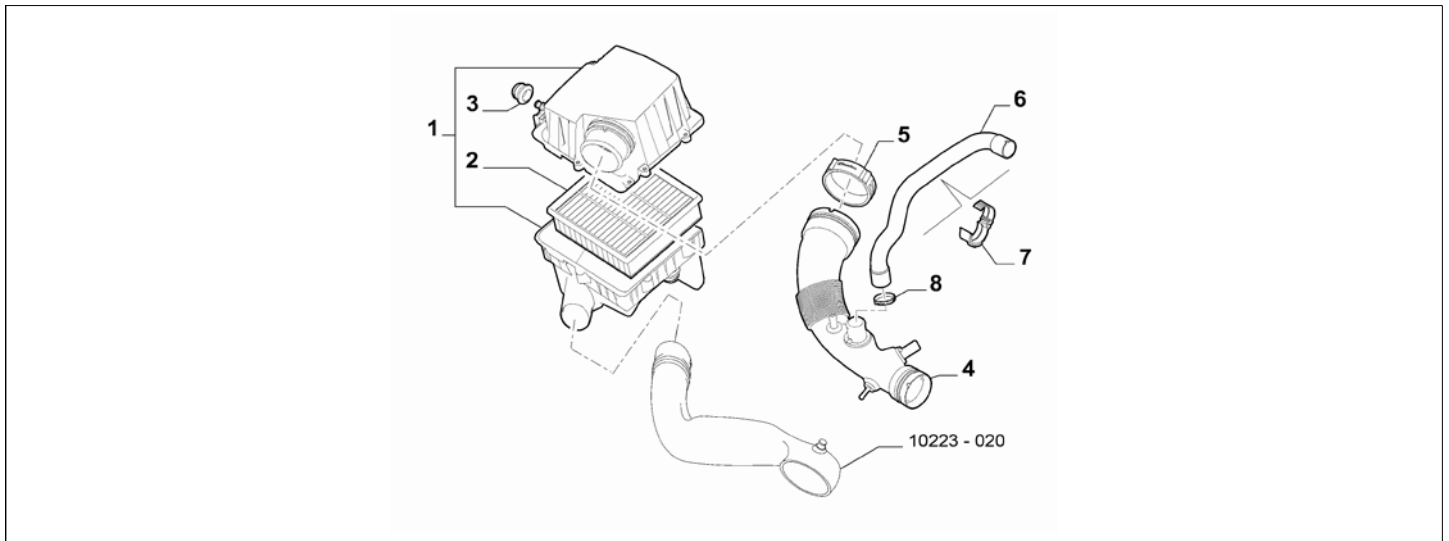
Catalogue	MITO 2013-2018	
Category	3.5 AIR CLEANER AND DUCTS	
Var.	01	1.4 + NOTURBO + 8V
Rev.	00	



Part Num.	Description	Compatibility	Modif.	Qty	Notes	Col.	Reman.
1	50552692 AIR CLEANER			1			
2	55192012 FILTERING ELEMENT			1			
3	51772190 PIN			1			
4	82485531 SCREW AND WASHER ASSY			2			

Legend	
NOTURBO	(ASPIRATED/TURBO):EXHAUST FAN
1.4	HORSE POWER (MARKET):1370
8V	TOTAL NUMBER OF VALVES:8 VALVES

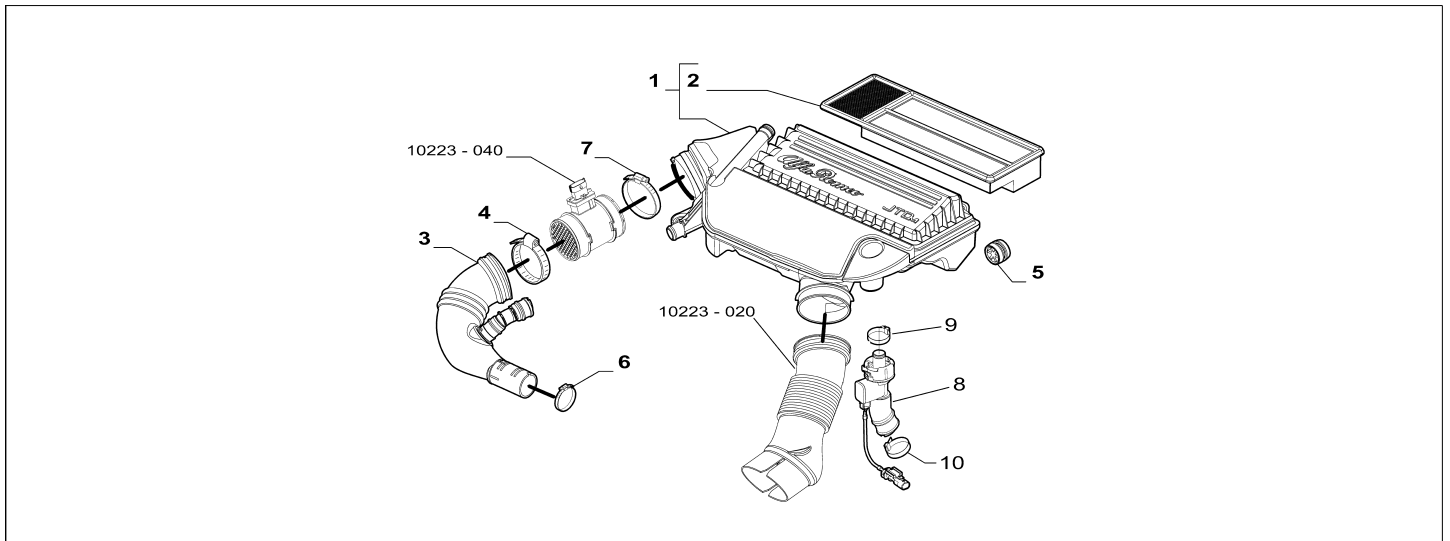
Catalogue	MITO 2013-2018	
Category	3.5 AIR CLEANER AND DUCTS	
Var.	02	1.4 + TURBO
Rev.	00	



Part Num.	Description	Compatibility	Modif.	Qty	Notes	Col.	Reman.
1	51796536 AIR CLEANER	120HP		1			
1	50514227 AIR CLEANER	135HP, 170HP, 140HP		1			
2	55184249 FILTERING ELEMENT	120HP		1			
2	51830174 FILTERING ELEMENT	135HP, 170HP, 140HP		1			
3	51751410 PAD	120HP		3			
3	51830176 PAD	135HP, 170HP		3			
4	50515513 SLEEVE	170HP+ITCT		1			
4	51822558 SLEEVE	120HP		1			
4	50528558 SLEEVE	135HP+ITCT		1			
4	50528559 SLEEVE	140HP+I129+I4UC, 170HP+EURO6+I129+I4UC	C19104	1			
4	50528559 SLEEVE	135HP+TCT	C19104	1			
4	50530986 SLEEVE	140HP+129, 170HP+EURO6+129	C19104	1			
4	50530986 SLEEVE	140HP+I129+4UC, 170HP+I129+4UC	C19104	1			
4	52012300 SLEEVE	TCT+135HP	D19104	1			
4	52012300 SLEEVE	(140HP, 170HP)+I129+I4UC+TCT+EURO6	D19104	1			
4	52012301 SLEEVE	(140HP, 170HP)+129+TCT+EURO6	D19104	1			
4	52012301 SLEEVE	(140HP, 170HP)+I129+TCT+4UC+EURO6	D19104	1			
5	13128570 COLLAR, DIAMETER 57			1			
5	13131570 COLLAR, DIAMETER 80			1			
6	51800472 SLEEVE	120HP		1			
7	51778317 CLIP	120HP		2			
8	51810011 COLLAR	120HP		2			

Legend	
129	ADAPTED FOR COLD COUNTRIES
TCT	SPECIFIC GEARBOX
4UC	ADAPTED FOR COLD COUNTRIES 2
TURBO	(ASPIRATED/TURBO):TURBO
1.4	HORSE POWER (MARKET):1370
EURO6	ECOLOGY:EURO 6
140HP	POWER:1.4 16V TURBO MULTIAIR 140 HP EURO 6
170HP	POWER:1.4 FIRE 16V TURBO MULTIAIR 170HP EURO 5
120HP	POWER:1.6 JTD EURO5 -1.4 FIRE TRB 120HP
135HP	POWER:1.4 FIRE 16V TURBO MULTIAIR 135 HP EURO 5
19104	New sleeve [DAT 17/06/2015]

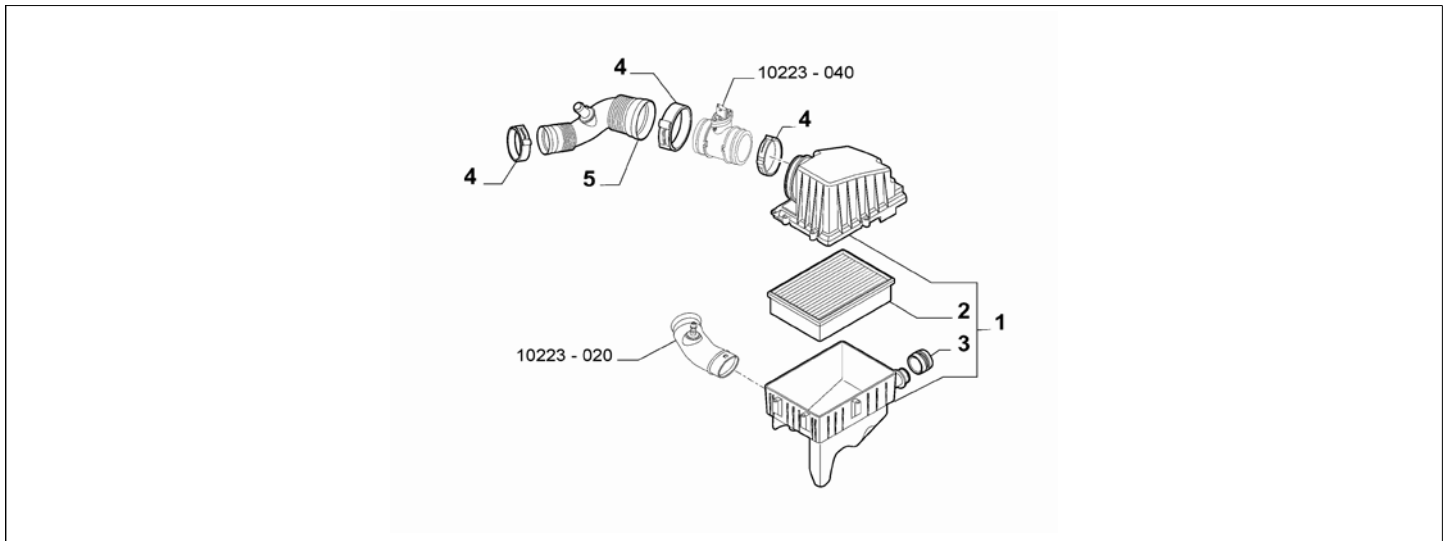
Catalogue	MITO 2013-2018	
Category	3.5 AIR CLEANER AND DUCTS	
Var.	03	1.3D + EURO5
Rev.	00	



Part Num.	Description	Compatibility	Modif.	Qty	Notes	Col.	Reman.
1	51922545 AIR CLEANER			1			
2	51920958 FILTERING ELEMENT			1			
3	51897510 SLEEVE	!129		1			
3	51904555 SLEEVE	129		1			
4	13129370 COLLAR, DIAMETER 75.5			1			
5	51818285 PAD			1			
5	51857340 PAD			2			
6	11417670 COLLAR, DIAMETER 30-45			1			
7	10323970 COLLAR, DIAMETER 73			1			
8	51904554 PIPE	129		1			
9	13129370 COLLAR			1			
10	13131270 COLLAR	!129		1			
10	10492370 COLLAR	129		1			

Legend	
129	ADAPTED FOR COLD COUNTRIES
1.3D	HORSE POWER (MARKET):
EURO5	ECOLOGY:LIM.ECC PHASE 5

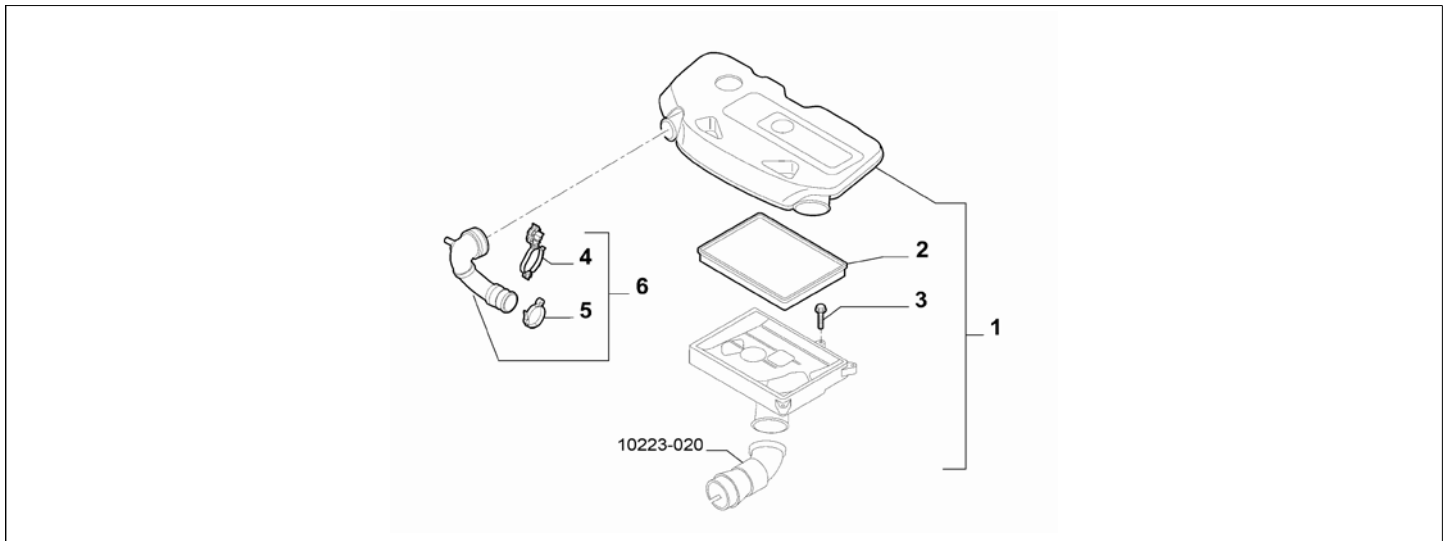
Catalogue	MITO 2013-2018	
Category	3.5 AIR CLEANER AND DUCTS	
Var.	04	1.6D, 1.3D + EURO6
Rev.	00	



Part Num.	Description	Compatibility	Modif.	Qty	Notes	Col.	Reman.
1	51830173 AIR CLEANER			1			
2	51830174 FILTERING ELEMENT			1			
3	51830176 PAD			3			
4	71714116 COLLAR, DIAMETER 55			1			
4	13129370 COLLAR, DIAMETER 75.5			2			
5	50510628 SLEEVE	1.6D		1			
5	52035172 SLEEVE	1.3D		1			

Legend	
1.3D	HORSE POWER (MARKET):
1.6D	HORSE POWER (MARKET):1598
EURO6	ECOLOGY:EURO 6

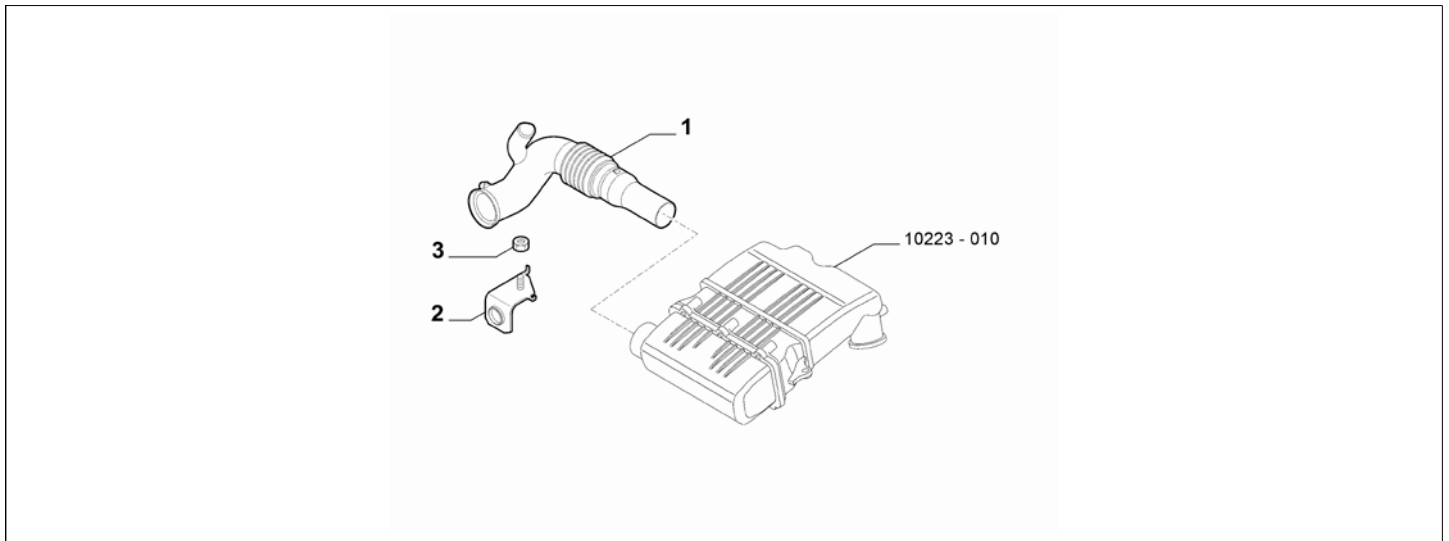
Catalogue	MITO 2013-2018	
Category	3.5 AIR CLEANER AND DUCTS	
Var.	05	875CC
Rev.	00	



Part Num.	Description	Compatibility	Modif.	Qty	Notes	Col.	Reman.
1	51921906 AIR CLEANER		C17105	1			
1	50530601 AIR CLEANER		D17105	1			
2	51881024 FILTERING ELEMENT			1			
3	51889410 SCREW AND WASHERASSY			6			
4	71714116 COLLAR, D50			1			
5	51916526 CLIP			1			
6	51929067 SLEEVE			1			

Legend	
875CC	HORSE POWER (MARKET):875
17105	NEW AIR CLEANER ASSEMBLY FOR 0.9CC [DAT 09/12/2013]

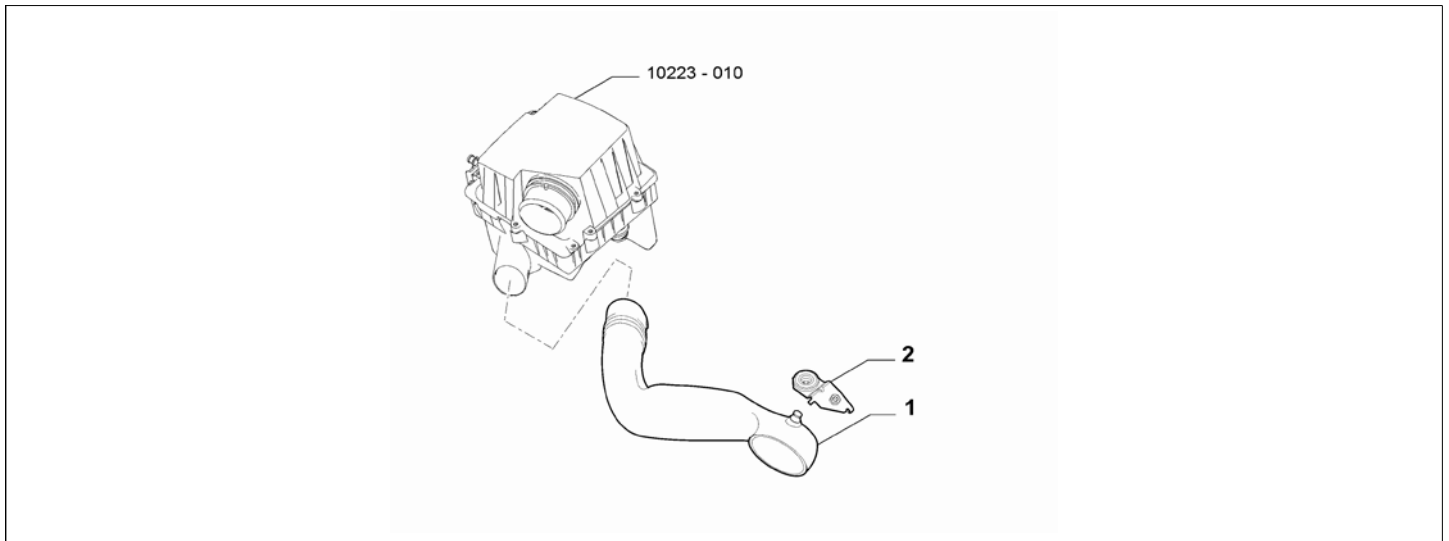
Catalogue	MITO 2013-2018	
Category	3.5 AIR CLEANER AND DUCTS	
Var.	01	1.4 + 8V
Rev.	00	



Part Num.	Description	Compatibility	Modif.	Qty	Notes	Col.	Reman.
1	51774994 AIR INTAKE			1			
2	51775002 BRACKET			1			
3	14059218 NUT, M6			1			

Legend	
1.4	HORSE POWER (MARKET):1370
8V	TOTAL NUMBER OF VALVES:8 VALVES

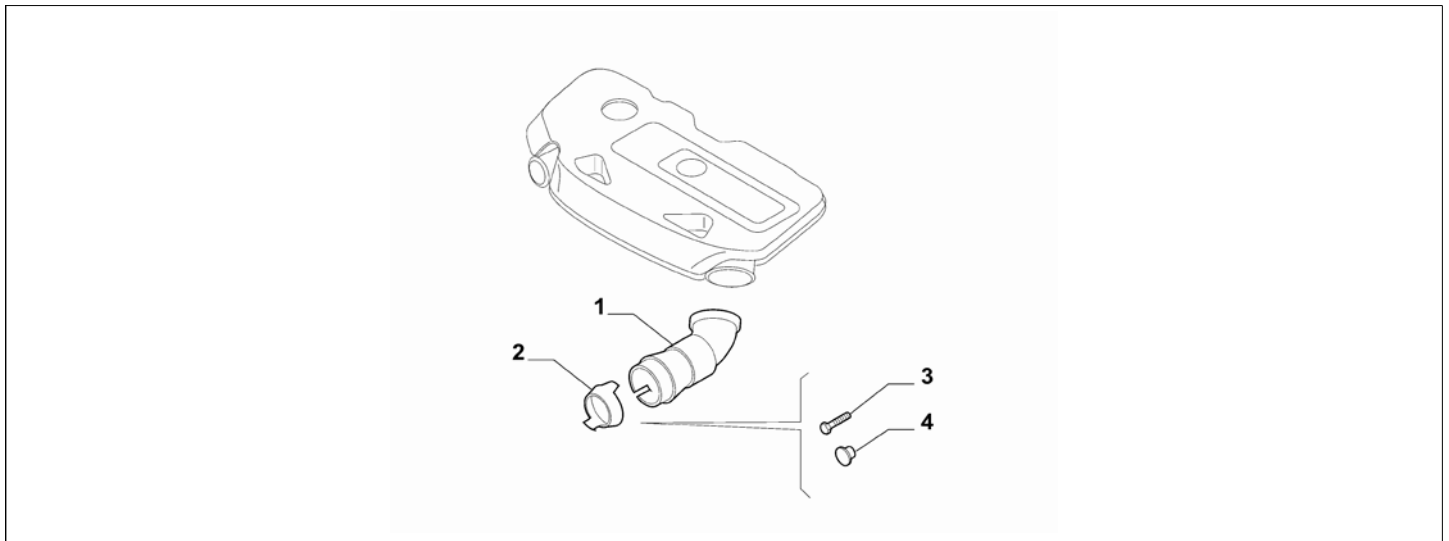
Catalogue	MITO 2013-2018	
Category	3.5 AIR CLEANER AND DUCTS	
Var.	02	1.4 + 16V, 1.3D, 1.6D
Rev.	00	



Part Num.	Description	Compatibility	Modif.	Qty	Notes	Col.	Reman.
1	50510629 AIR INTAKE	120HP		1			
1	50510629 AIR INTAKE	135HP, 170HP, 140HP		1			
1	51877463 AIR INTAKE	1.3D+EURO5		1			
1	50510629 AIR INTAKE	1.3D+EURO6		1			
1	50510629 AIR INTAKE	1.6D		1			
2	50515243 BRACKET			1			

Legend	
1.3D	HORSE POWER (MARKET):
1.4	HORSE POWER (MARKET):1370
1.6D	HORSE POWER (MARKET):1598
EURO5	ECOLOGY:LIM.ECC PHASE 5
EURO6	ECOLOGY:EURO 6
140HP	POWER:1.4 16V TURBO MULTIAIR 140 HP EURO 6
170HP	POWER:1.4 FIRE 16V TURBO MULTIAIR 170HP EURO 5
120HP	POWER:1.6 JTD EURO5 -1.4 FIRE TRB 120HP
135HP	POWER:1.4 FIRE 16V TURBO MULTIAIR 135 HP EURO 5
16V	TOTAL NUMBER OF VALVES:16 VALVES

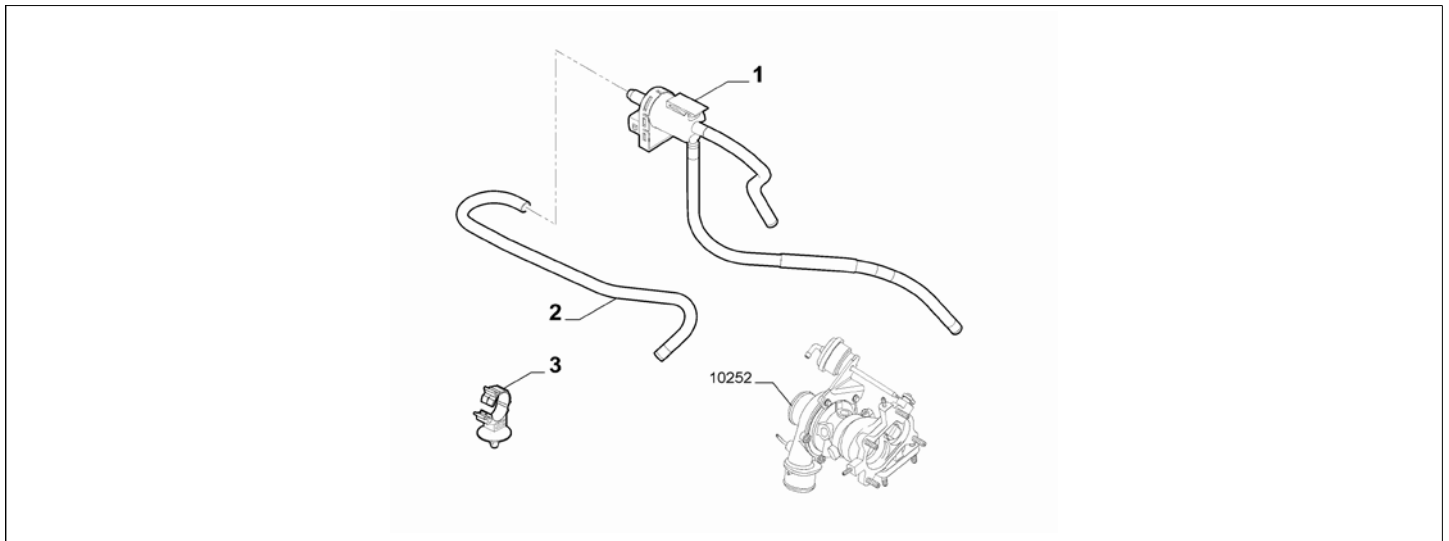
Catalogue	MITO 2013-2018	
Category	3.5 AIR CLEANER AND DUCTS	
Var.	03	875CC
Rev.	00	



Part Num.	Description	Compatibility	Modif.	Qty	Notes	Col.	Reman.
1	51963824 AIR INTAKE			1			
2	51877493 BRACKET			1			
3	15783207 SCREW, M4X12			1			
4	51879486 BUTTON			1			

Legend	
875CC	HORSE POWER (MARKET):875

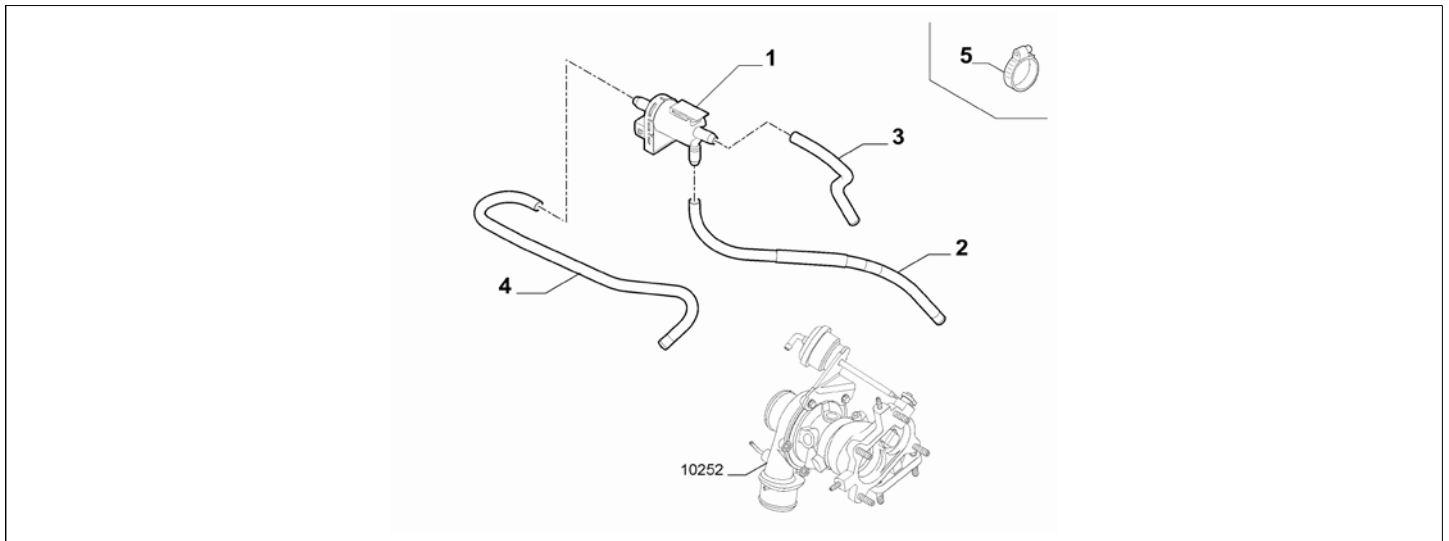
Catalogue	MITO 2013-2018	
Category	3.5 AIR CLEANER AND DUCTS	
Var.	01	1.4 + TURBO + 135HP, 1.4 + TURBO + 170HP, 1.4 + TURBO + 140HP
Rev.	00	



Part Num.	Description	Compatibility	Modif.	Qty	Notes	Col.	Reman.
1	50521319	ELECTRO-VALVE		1			
1	50525337	ELECTRO-VALVE		1			
1	50525337	ELECTRO-VALVE		1			
1	50525337	ELECTRO-VALVE		1			
2	50518353	SLEEVE		1			
2	50525340	SLEEVE		1			
2	50525340	SLEEVE		1			
2	50525340	SLEEVE		1			
2	50525340	SLEEVE		1			
3	50518289	CLIP		2			

Legend	
4MJ	SPECIFIC FOR LIGHT TROPICAL MARKET
5SF	SPECIFIC FOR SASO MARKET
TURBO	(ASPIRATED/TURBO):TURBO
1.4	HORSE POWER (MARKET):1370
140HP	POWER:1.4 16V TURBO MULTIAIR 140 HP EURO 6
170HP	POWER:1.4 FIRE 16V TURBO MULTIAIR 170HP EURO 5
135HP	POWER:1.4 FIRE 16V TURBO MULTIAIR 135 HP EURO 5

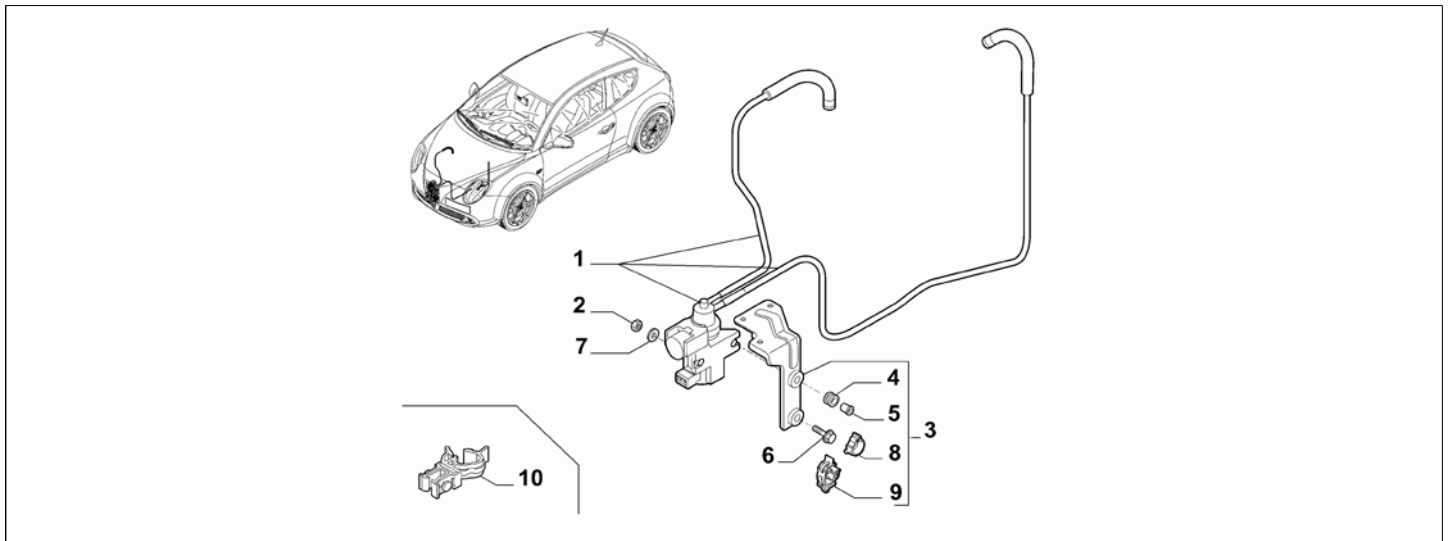
Catalogue	MITO 2013-2018	
Category	3.5 AIR CLEANER AND DUCTS	
Var.	02	TURBO + 1.4 + 120HP
Rev.	00	



Part Num.	Description	Compatibility	Modif.	Qty	Notes	Col.	Reman.
1	46813571 ELECTRO-VALVE			1			
2	51810327 HOSE			1			
3	51810328 HOSE			1			
4	51810329 HOSE			1			
5	13432570 COLLAR			3			

Legend	
TURBO	(ASPIRATED/TURBO):TURBO
1.4	HORSE POWER (MARKET):1370
120HP	POWER:1.6 JTD EURO5 -1.4 FIRE TRB 120HP

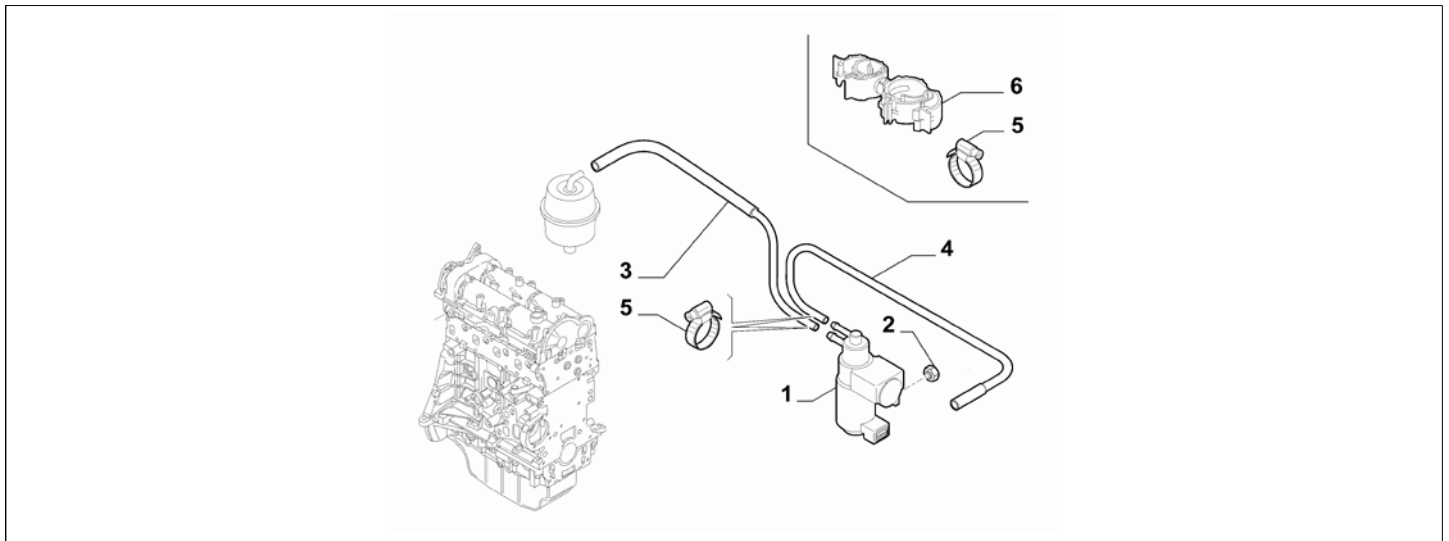
Catalogue	MITO 2013-2018	
Category	3.5 AIR CLEANER AND DUCTS	
Var.	03	TURBO + 1.6D + 120HP
Rev.	00	



Part Num.	Description	Compatibility	Modif.	Qty	Notes	Col.	Reman.
1	50518665 ELECTRO-VALVE			1			
2	55192176 NUT			1			
3	50518721 BRACKET			1			
4	46445134 SPACER			2			
5	4130912 PAD			2			
6	14114710 SCREW, M6X12			1			
7	12647721 PLANE WASHER, 6X21			1			
8	51719383 CLIP			1			
9	46817858 CLIP			1			
10	46458685 CLIP			3			

Legend	
TURBO	(ASPIRATED/TURBO):TURBO
1.6D	HORSE POWER (MARKET):1598
120HP	POWER:1.6 JTD EURO5 -1.4 FIRE TRB 120HP

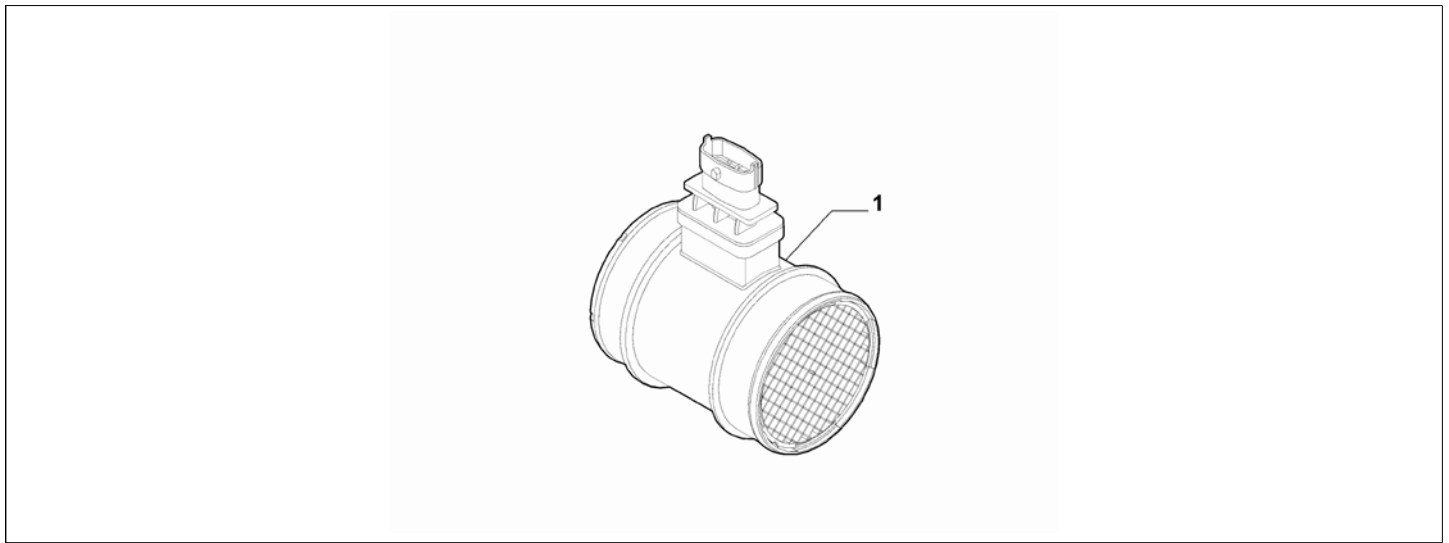
Catalogue	MITO 2013-2018	
Category	3.5 AIR CLEANER AND DUCTS	
Var.	04	1.3D
Rev.	00	



Part Num.	Description	Compatibility	Modif.	Qty	Notes	Col.	Reman.
1	55256638 ELECTRO-VALVE			1			
2	13046114 NUT, M6			2			
3	51816518 HOSE			1			
4	51879296 SLEEVE			1			
5	13432070 COLLAR			1			
6	46822100 CLIP			1			

Legend	
1.3D	HORSE POWER (MARKET):

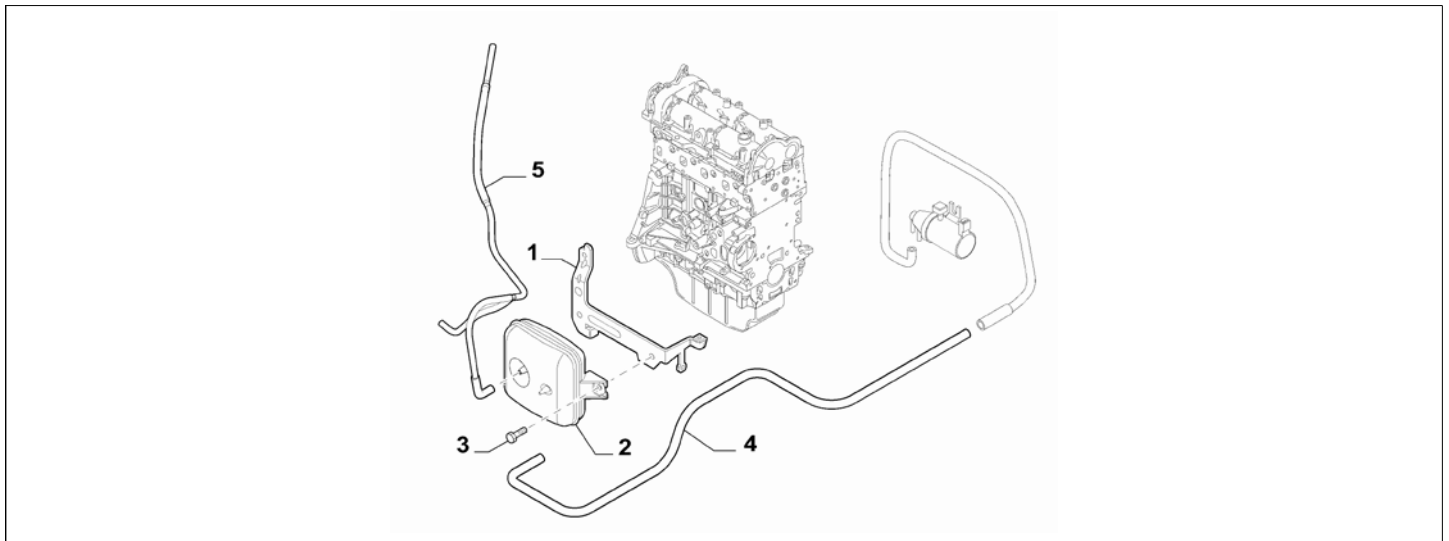
Catalogue	MITO 2013-2018	
Category	3.5 AIR CLEANER AND DUCTS	
Var.	01	DIESEL
Rev.	00	



Part Num.	Description	Compatibility	Modif.	Qty	Notes	Col.	Reman.
1	51831050	CAPACITY MEASURER	1.3D				71795057
1	51831050	CAPACITY MEASURER	1.6D				71795057

Legend	
1.3D	HORSE POWER (MARKET):
1.6D	HORSE POWER (MARKET):1598
DIESEL	FUEL:DIESEL

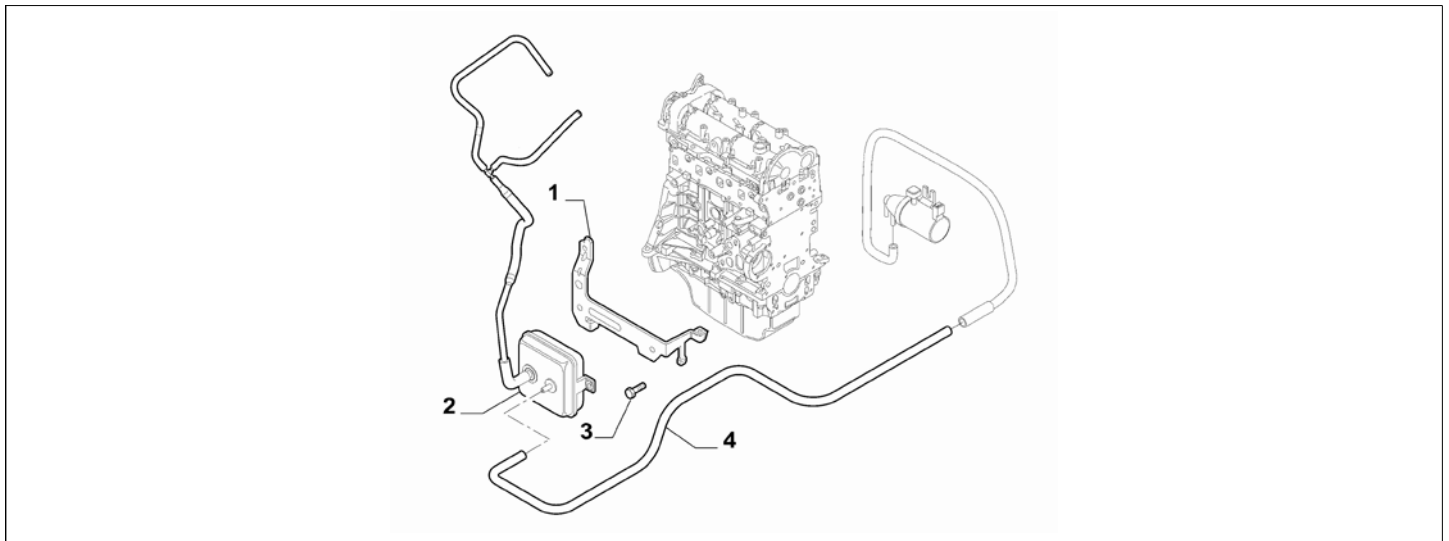
Catalogue	MITO 2013-2018	
Category	3.5 AIR CLEANER AND DUCTS	
Var.	01	1.3D + EURO5
Rev.	00	



Part Num.	Description	Compatibility	Modif.	Qty	Notes	Col.	Reman.
1	51868878 BRACKET			1			
2	51877651 VACUUM TANK			1			
3	16287021 SCREW, M8X16			2			
4	55269332 SLEEVE			1			
5	51877652 SLEEVE			1			

Legend	
1.3D	HORSE POWER (MARKET):
EURO5	ECOLOGY:LIM.ECC PHASE 5

Catalogue	MITO 2013-2018	
Category	3.5 AIR CLEANER AND DUCTS	
Var.	02	1.3D + EURO6
Rev.	00	



Part Num.	Description	Compatibility	Modif.	Qty	Notes	Col.	Reman.
1	51868878 BRACKET			1			
2	55252049 VACUUM TANK			1			
3	16287021 SCREW			1			
4	55269332 SLEEVE			1			

Legend	
1.3D	HORSE POWER (MARKET):
EURO6	ECOLOGY:EURO 6