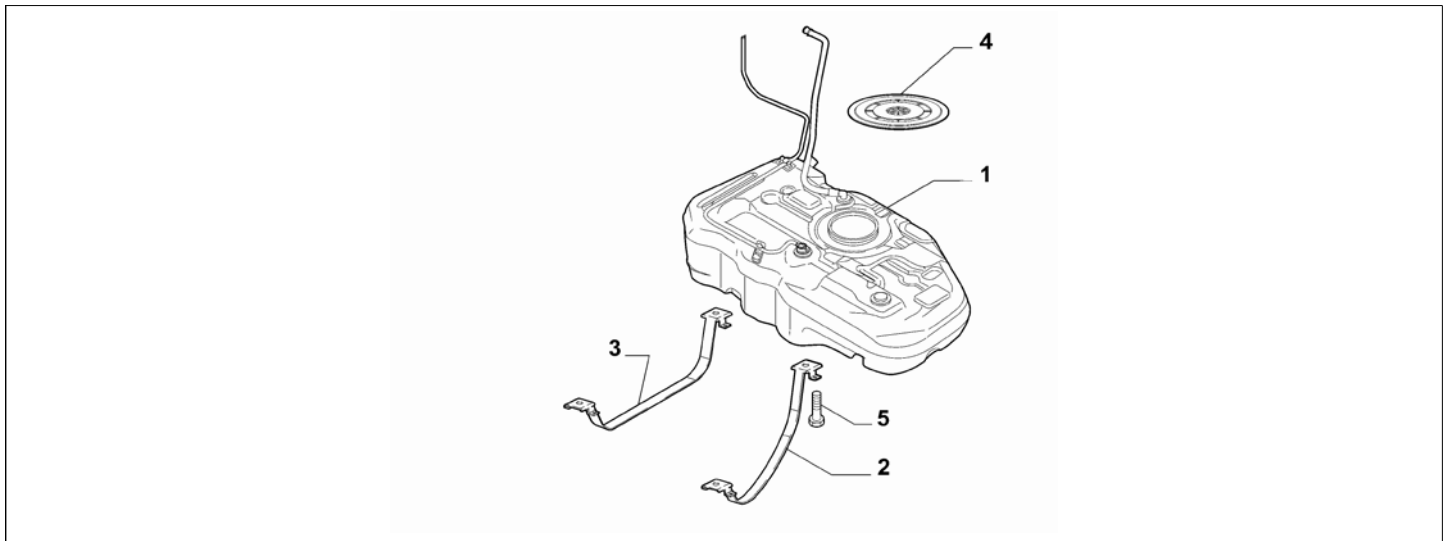


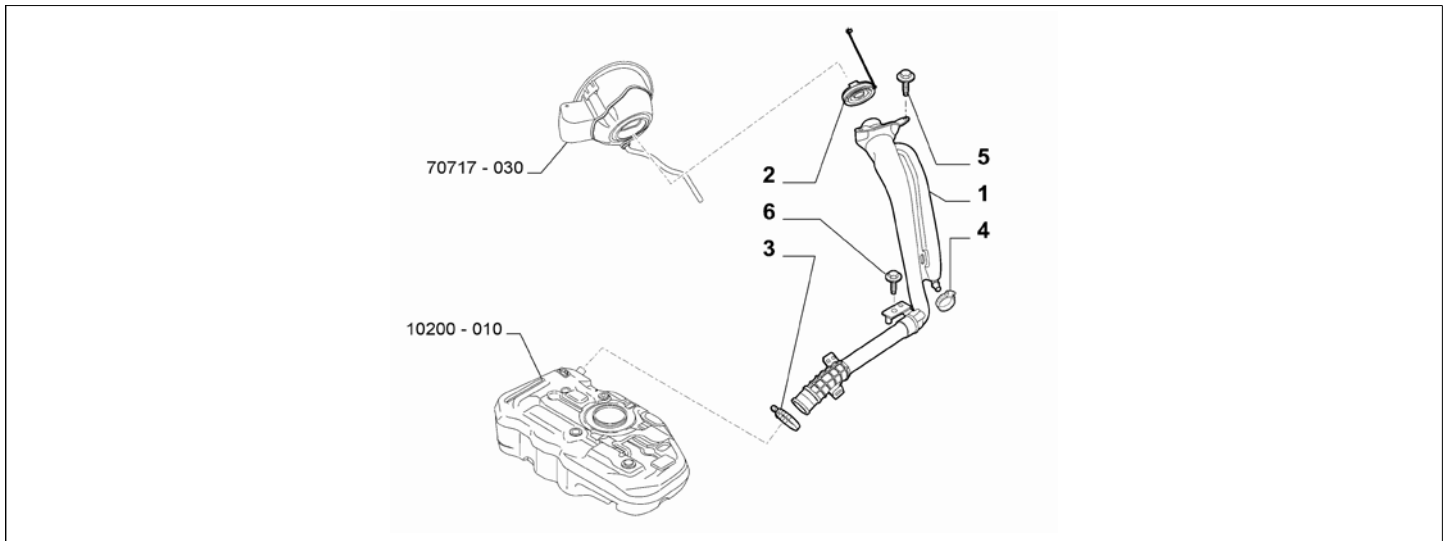
Catalogue	MITO 2013-2018	
Category	3.1 FUEL TANK	
Var.	01	
Rev.	00	



Part Num.	Description	Compatibility	Modif.	Qty	Notes	Col.	Reman.
1	51802205 FUEL TANK	1.3D, 1.6D	C18802	1	ONLY PARTS ARE SUPPLIED		
1	50516880 FUEL TANK	1.3D, 1.6D	D18802	1	ONLY PARTS ARE SUPPLIED		
1	50518560 FUEL TANK	NOTURBO+1.4		1	ONLY PARTS ARE SUPPLIED		
1	50518636 FUEL TANK	(875CC, 1.4)+TURBO		1	ONLY PARTS ARE SUPPLIED		
2	55700363 BRACKET, RIGHT			1			
3	55700364 BRACKET, LEFT			1			
4	51739855 COVER			1			
5	7760269 SCREW, M8X30			4			

Legend	
NOTURBO	(ASPIRATED/TURBO):EXHAUST FAN
TURBO	(ASPIRATED/TURBO):TURBO
875CC	HORSE POWER (MARKET):875
1.3D	HORSE POWER (MARKET):
1.4	HORSE POWER (MARKET):1370
1.6D	HORSE POWER (MARKET):1598
18802	New tank [DAT 25/07/2014]

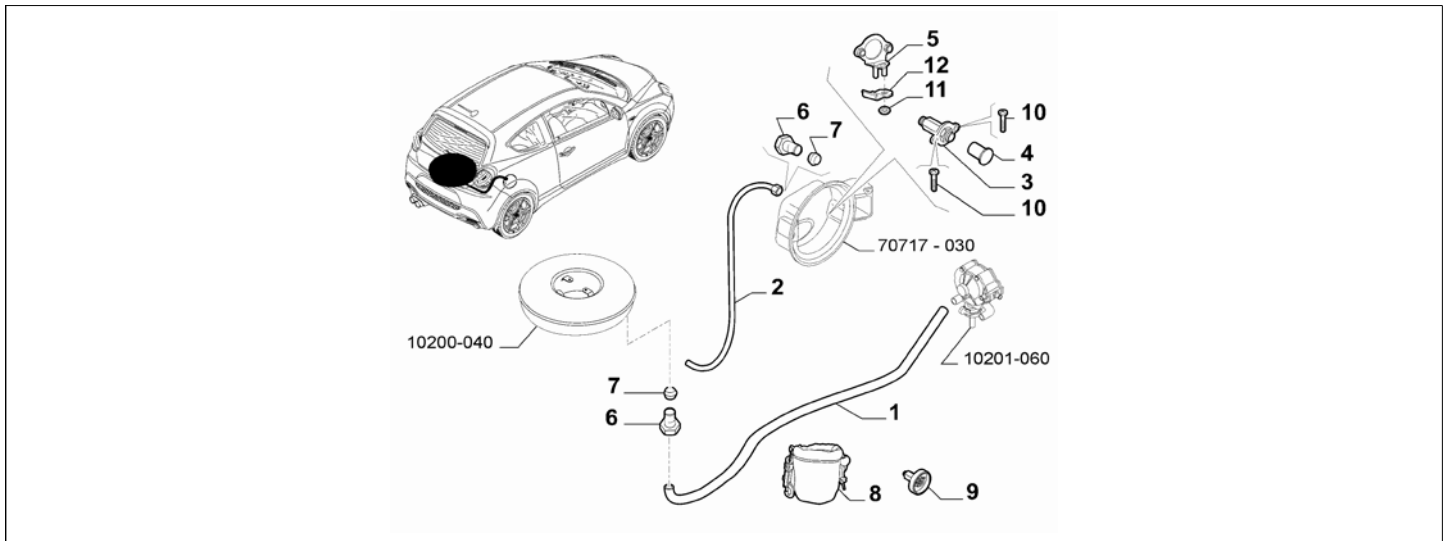
Catalogue	MITO 2013-2018	
Category	3.1 FUEL TANK	
Var.	01	
Rev.	00	



Part Num.	Description	Compatibility	Modif.	Qty	Notes	Col.	Reman.
1	50508464	FILLER TUBE	PETROL+AM00, PETROL+AM23, PETROL+AM47, PETROL+AM87		1		
1	50508463	FILLER TUBE	DIESEL+AM00, DIESEL+AM23, DIESEL+AM47, DIESEL+AM87		1		
1	50516882	FILLER TUBE	AM26		1		
2	46785426	CAP	DIESEL		1		
2	46820586	CAP	PETROL		1		
3	13097490	COLLAR			1		
4	13126170	COLLAR			1		
5	46415697	SCREW			2		
6	7760269	SCREW			1		

Legend	
AM00	MARKET VERSION:ITALY/CENTRAL EUROPE
AM23	MARKET VERSION:AUSTRALIA
AM26	MARKET VERSION:JAPAN
AM47	MARKET VERSION:MEXICO
AM87	MARKET VERSION:UK/EIRE
PETROL	FUEL:PETROL
DIESEL	FUEL:DIESEL

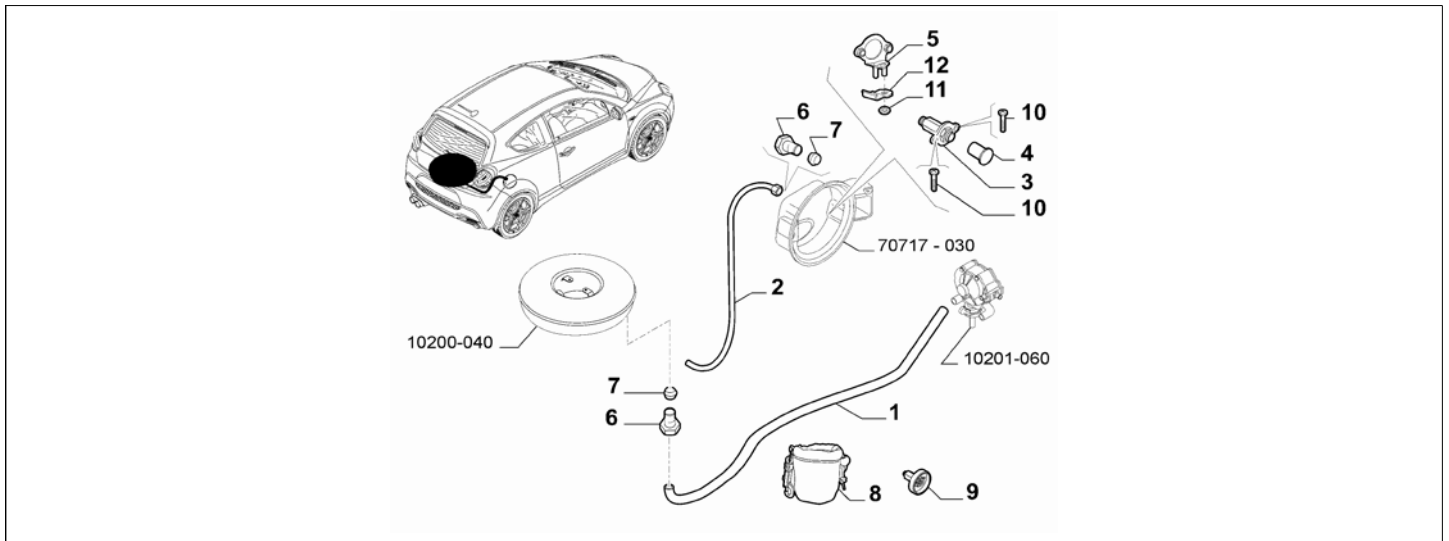
Catalogue	MITO 2013-2018	
Category	3.1 FUEL TANK	
Var.	01	LPG + EURO5
Rev.	00	



Part Num.	Description	Compatibility	Modif.	Qty	Notes	Col.	Reman.
1	71753503	PIPE, METRI 6 - 6X1		1			
2	71753504	PIPE, METRI 2 - 8X1		1			
3	71769842	UNION		1			
4	52026620	PLUG		1			
5	71771652	BRACKET		1			
6	71753636	CONNECTION, 8 mm		1			
7	71753635	SLEEVE, 8 mm		1			
8	71753631	CONTAINER		1			
9	71769866	ADAPTER		1	ITALY, FRANCE, DENMARK, GREECE, HUNGARY, CROATIA, ESTONIA, LITHUANIA, MACEDONIA, POLAND, PORTUGAL, SWEDEN, ROMANIA, SLOVAKIA, SLOVENIA, TURKEY, UKRAINE		
9	71773331	ADAPTER		1	GERMANY, BELGIUM, LUXEMBOURG, AUSTRIA, IRELAND		
9	71773333	ADAPTER		1	ENGLAND, SPAIN, NETHERLANDS, SWITZERLAND, NORWAY		
10	71753478	SCREW, M5X12		1			
11	71754622	NUT, M5		2			
12	71771653	BRACKET		1			

Legend	
LPG	LPG FUELING (ITALY STANDARD)
EURO5	ECOLOGY:LIM.ECC PHASE 5

Catalogue	MITO 2013-2018	
Category	3.1 FUEL TANK	
Var.	02	LPG + EURO6
Rev.	00	

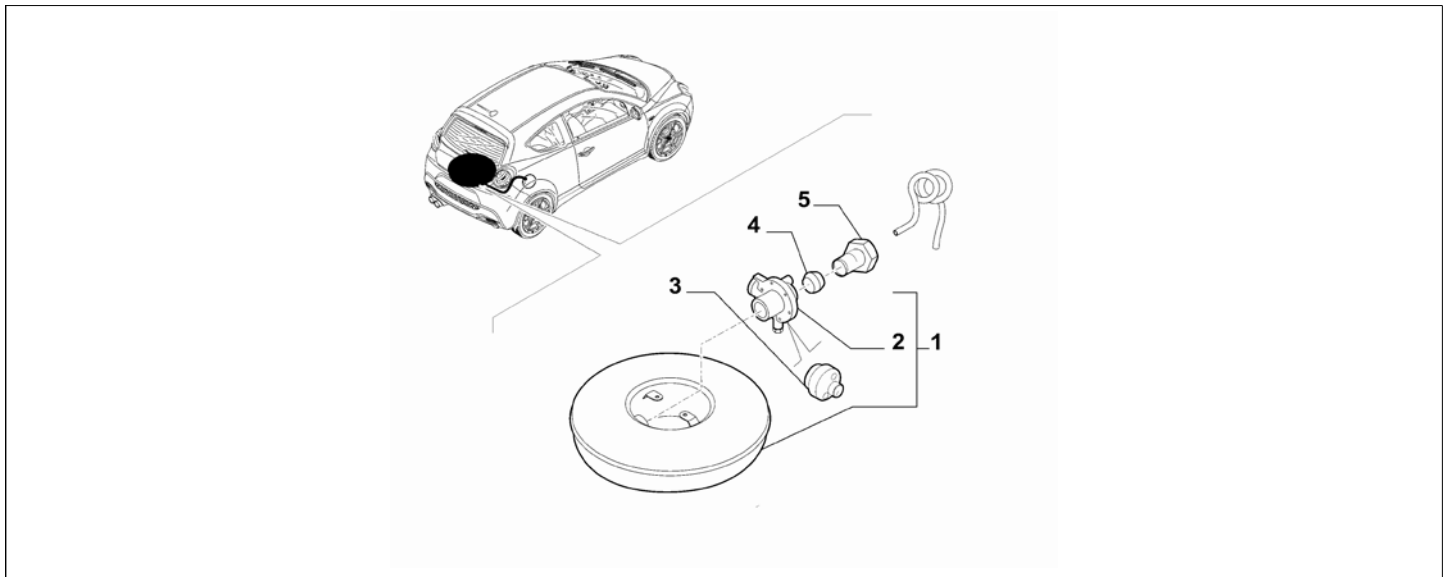


Part Num.	Description	Compatibility	Modif.	Qty	Notes	Col.	Reman.
1	71753503 PIPE, METRI 6 - 6X1			1			
2	71753504 PIPE, METRI 2 - 8X1			1			
3	71769842 UNION		C17822	1			
3	50531863 UNION		D17822, C17982	1			
3	52024844 UNION		D17982	1			
4	71769843 PLUG		C17822	1			
4	50529390 PLUG		D17822, C17982	1			
4	52026620 PLUG		D17982	1			
5	71771652 BRACKET			1			
6	71753636 CONNECTION, 8 mm			1			
7	71753635 SLEEVE, 8 mm			1			
8	71753631 CONTAINER			1			
9	71769866 ADAPTER		C17822	1	ITALY, FRANCE, DENMARK, GREECE, HUNGARY, CROATIA, ESTONIA, LITHUANIA, MACEDONIA, POLAND, PORTUGAL, SWEDEN, ROMANIA, SLOVAKIA, SLOVENIA, TURKEY, UKRAINE		
9	71773331 ADAPTER		C17822	1	GERMANY, BELGIUM, LUXEMBOURG, AUSTRIA, IRELAND		
9	71773333 ADAPTER		C17822	1	ENGLAND, SPAIN, NETHERLANDS, SWITZERLAND, NORWAY		
9	50531865 ADAPTER		D17822, C17982	1	ITALY, FRANCE, DENMARK, GREECE, HUNGARY, CROATIA, ESTONIA, LITHUANIA, MACEDONIA, POLAND, PORTUGAL, SWEDEN, ROMANIA, SLOVAKIA, SLOVENIA, TURKEY, UKRAINE		

9	50529280	ADAPTER	I6G4+I6G5	D17982	1	ITALY, FRANCE, DENMARK, GREECE, HUNGARY, CROATIA, ESTONIA, LITHUANIA, MACEDONIA, POLAND, PORTUGAL, SWEDEN, ROMANIA, SLOVAKIA, SLOVENIA, TURKEY, UKRAINE		
9	51931473	ADAPTER		D17822, C17982	1	GERMANY, BELGIUM, LUXEMBOURG, AUSTRIA, IRELAND		
9	50537072	ADAPTER	6G5	D17982	1	GERMANY, BELGIUM, LUXEMBOURG, AUSTRIA, IRELAND		
9	50526305	ADAPTER		D17822, C17982	1	ENGLAND, SPAIN, NETHERLANDS, SWITZERLAND, NORWAY		
9	50537071	ADAPTER	6G4	D17982	1	ENGLAND, SPAIN, NETHERLANDS, SWITZERLAND, NORWAY		
10	71753478	SCREW, M5X12			1			
11	71754622	NUT, M5			2			
12	71771653	BRACKET			1			

Legend	
LPG	LPG FUELING (ITALY STANDARD)
6G4	LPG FUEL NOZZLE ADAPTER FOR HOLLAND MARKET
6G5	LPG FUEL NOZZLE ADAPTER FOR BELGIUM MARKET
EURO6	ECOLOGY:EURO 6
17822	New adaptors and LPG intake [TEL X019197]
17982	New charge inlet [TEL X031243]

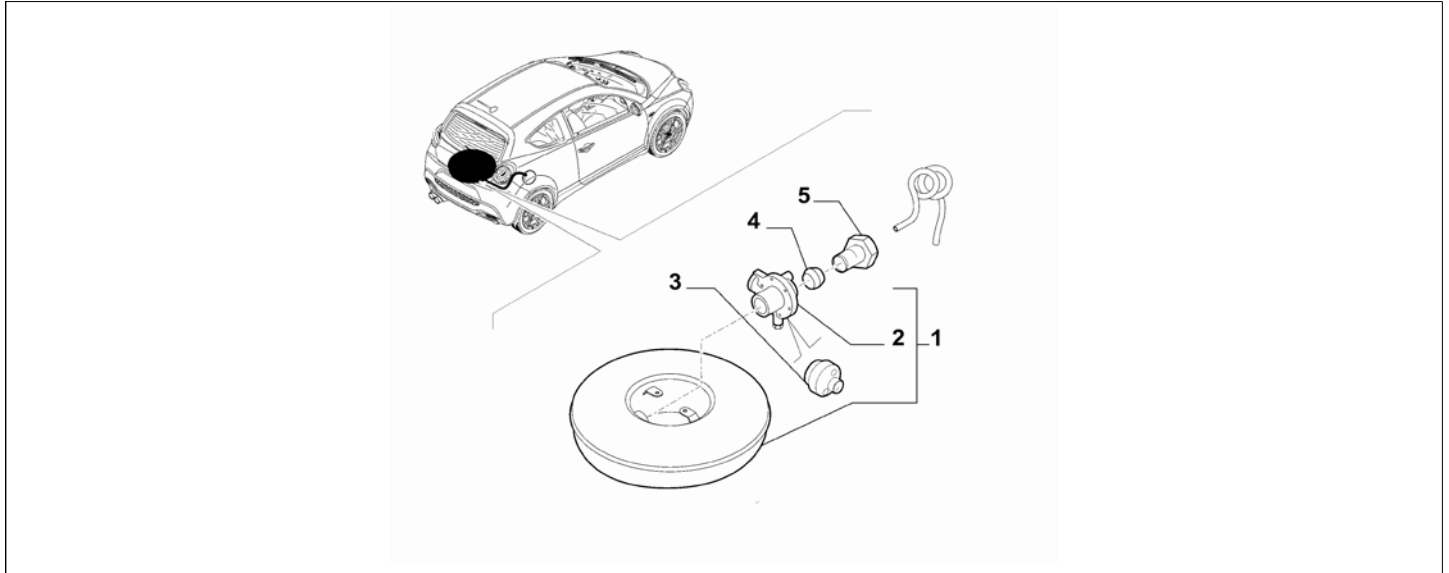
Catalogue	MITO 2013-2018	
Category	3.1 FUEL TANK	
Var.	01	LPG + EURO5
Rev.	00	



Part Num.	Description	Compatibility	Modif.	Qty	Notes	Col.	Reman.
1	71771859 GAS CYLINDER			1			
2	71771860 COIL			1			
3	71771621 LEVEL GAUGE			1			
4	71753487 SLEEVE, 6 mm			1			
5	71753488 CONNECTION			1			

Legend	
LPG	LPG FUELING (ITALY STANDARD)
EURO5	ECOLOGY:LIM.ECC PHASE 5

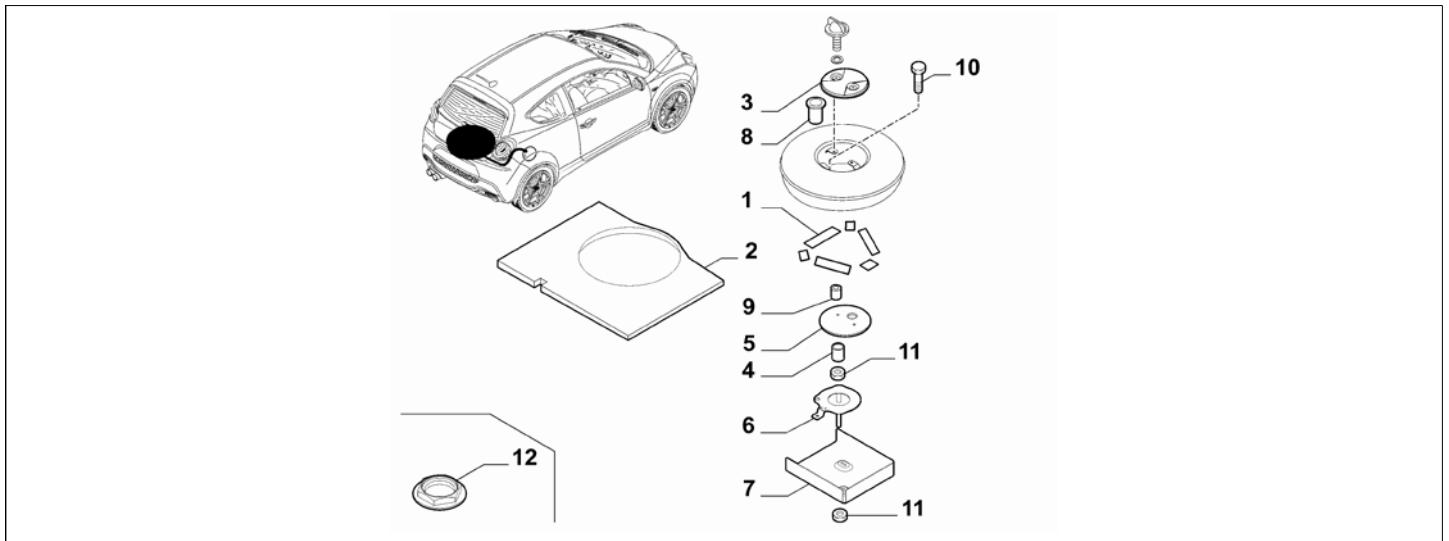
Catalogue	MITO 2013-2018	
Category	3.1 FUEL TANK	
Var.	02	LPG + EURO6
Rev.	00	



Part Num.	Description	Compatibility	Modif.	Qty	Notes	Col.	Reman.
1	71765799 GAS CYLINDER			1			
2	71771860 COIL			1			
3	71775693 LEVEL GAUGE			1			
4	71753487 SLEEVE, 6 mm			1			
5	71753488 CONNECTION			1			

Legend	
LPG	LPG FUELING (ITALY STANDARD)
EURO6	ECOLOGY:EURO 6

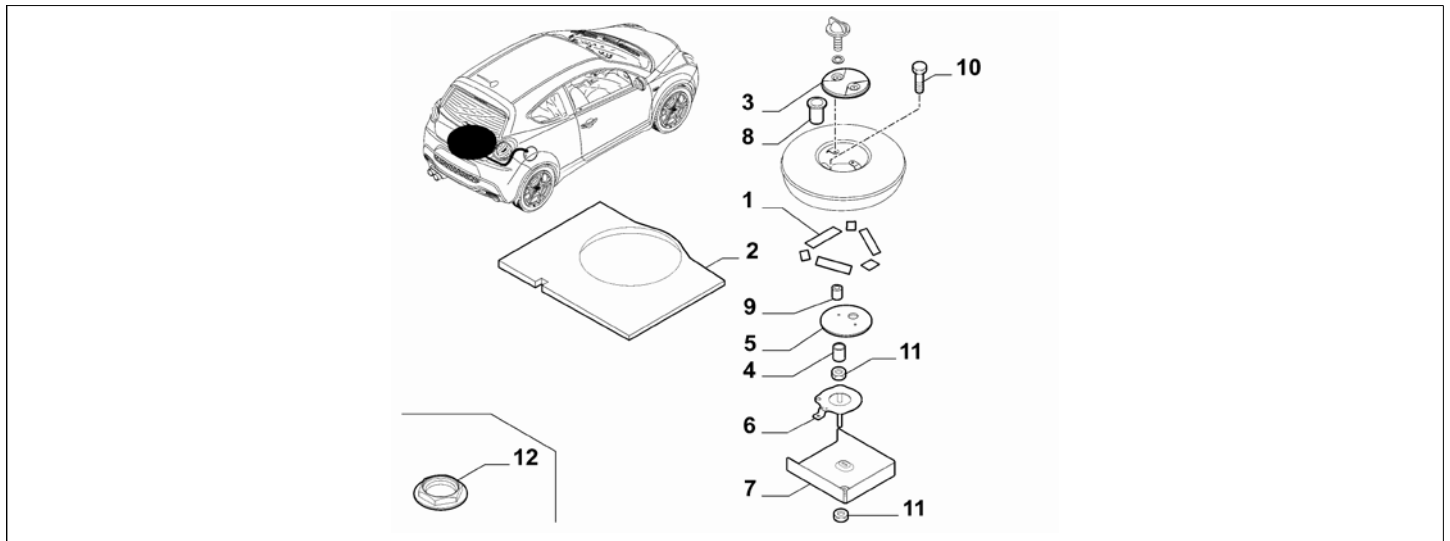
Catalogue	MITO 2013-2018	
Category	3.1 FUEL TANK	
Var.	01	LPG + EURO5
Rev.	00	



Part Num.	Description	Compatibility	Modif.	Qty	Notes	Col.	Reman.
1	71771861	KIT		1			
2	71754625	INSULATOR		1			
3	71753614	COVER		1			
4	71753477	BUSH		2			
5	71753473	BRACKET		1			
6	51888969	PLATE		1			
7	51887604	PROTECTION		1			
8	71753525	CONNECTION		1			
9	71753476	BUSH, 30X12X50		2			
10	71753517	SCREW, M10X1,5X120		2			
11	18750224	SCREW, M16X16		1			
12	51888968	PLUG		1			

Legend	
LPG	LPG FUELING (ITALY STANDARD)
EURO5	ECOLOGY:LIM.ECC PHASE 5

Catalogue	MITO 2013-2018	
Category	3.1 FUEL TANK	
Var.	02	LPG + EURO6
Rev.	00	



Part Num.	Description	Compatibility	Modif.	Qty	Notes	Col.	Reman.
1	71771861	KIT		1			
2	71754625	INSULATOR		1			
3	71753614	COVER		1			
4	71753477	BUSH		2			
5	71753473	BRACKET		1			
6	51888969	PLATE		1			
7	51887604	PROTECTION		1			
8	71753525	CONNECTION		1			
9	71753476	BUSH, 30X12X50		2			
10	71753517	SCREW, M10X1,5X120		2			
11	18750224	SCREW, M16X16		1			
12	51888968	PLUG		1			

Legend	
LPG	LPG FUELING (ITALY STANDARD)
EURO6	ECOLOGY:EURO 6