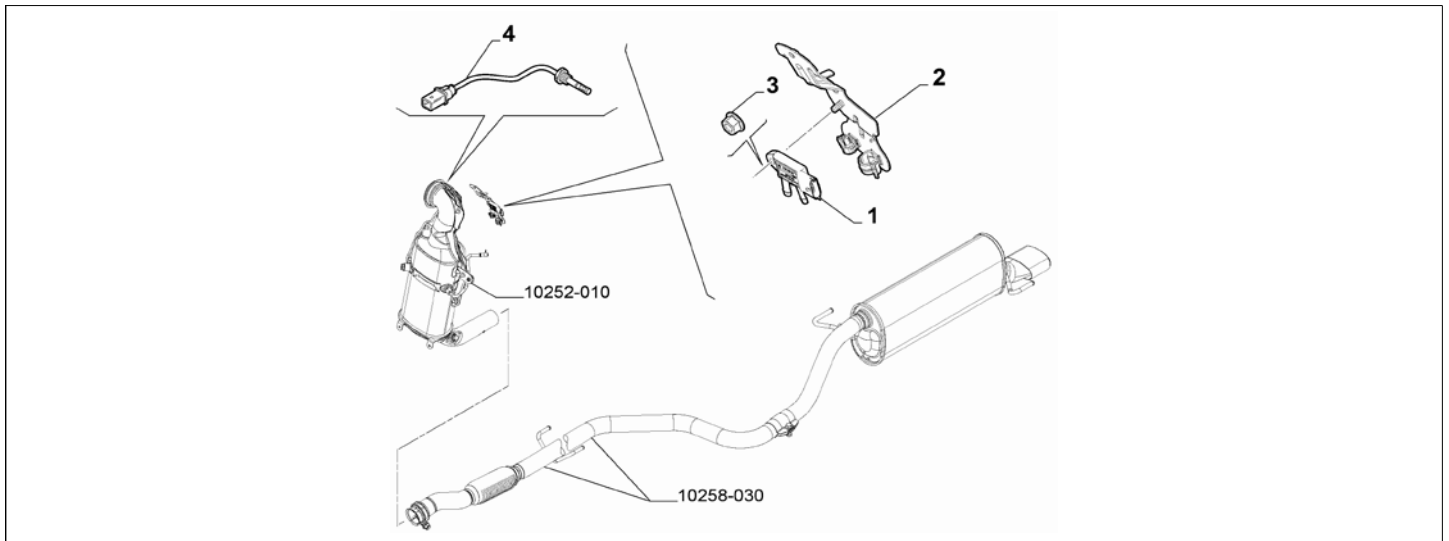


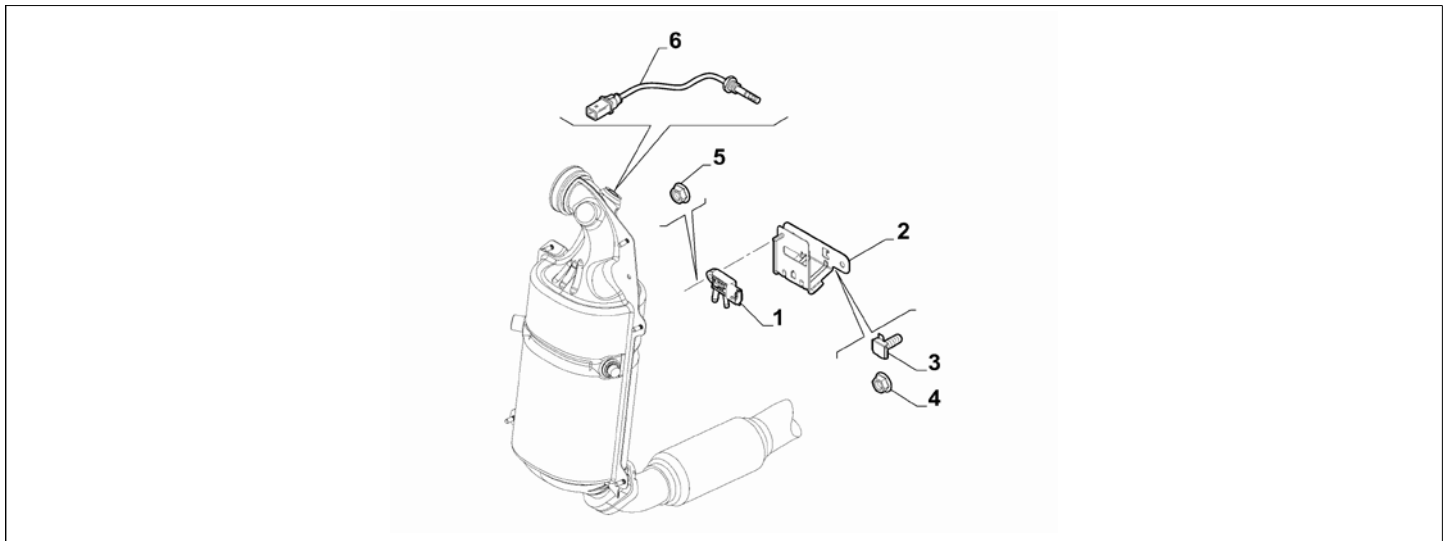
Catalogue	MITO 2013-2018	
Category	3.14 ANTI POLLUTION SYSTEM	
Var.	01	1.3D
Rev.	00	



Part Num.	Description	Compatibility	Modif.	Qty	Notes	Col.	Reman.
1	51908411 SENSOR			1			
2	51816521 BRACKET	EURO5		1			
3	811900439 NUT	EURO5		3			
4	51825680 SENSOR			1			

Legend	
1.3D	HORSE POWER (MARKET):
EURO5	ECOLOGY:LIM.ECC PHASE 5

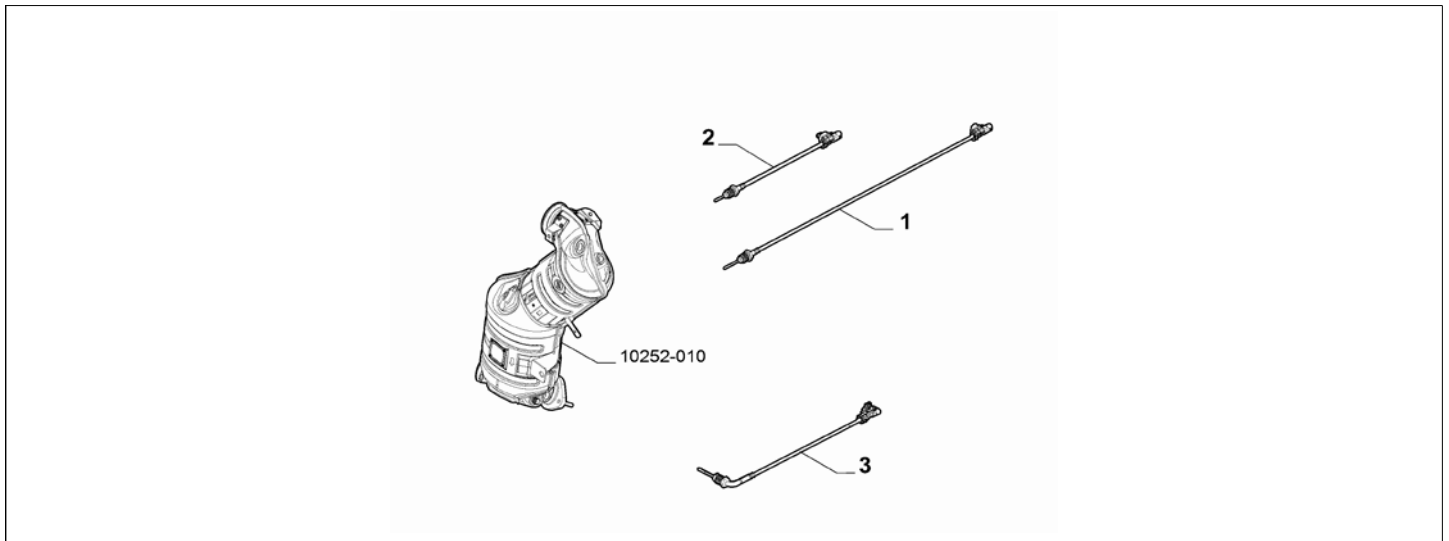
Catalogue	MITO 2013-2018	
Category	3.14 ANTI POLLUTION SYSTEM	
Var.	02	1.6D
Rev.	00	



Part Num.	Description	Compatibility	Modif.	Qty	Notes	Col.	Reman.
1	51908411 SENSOR			1			
2	50517563 BRACKET			1			
3	14662690 SCREW			1			
4	14059211 NUT			1			
5	14059210 NUT			1			
6	51825677 SENSOR, EXHAUST GAS TEMPERATURE			1			

Legend	
1.6D	HORSE POWER (MARKET):1598

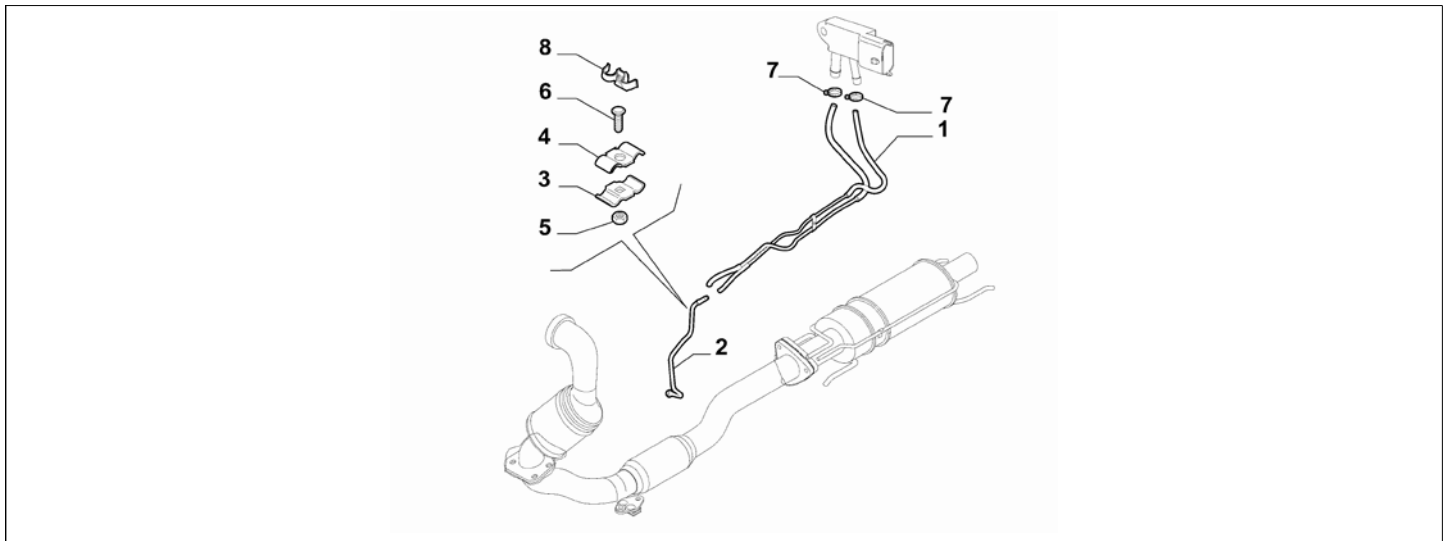
Catalogue	MITO 2013-2018	
Category	3.14 ANTI POLLUTION SYSTEM	
Var.	03	1.3D + EURO6
Rev.	00	



Part Num.	Description	Compatibility	Modif.	Qty	Notes	Col.	Reman.
1	55272466	SENSOR, UPSTREAM DPF	C19803	1			
1	55276888	SENSOR, UPSTREAM DPF	D19803	1			
2	55272465	SENSOR, DOC UPSTREAM	C19803	1			
2	55276887	SENSOR, DOC UPSTREAM	D19803	1			
3	55272467	SENSOR, DOWNSTREAM DPF	C19803	1			
3	55276889	SENSOR, DOWNSTREAM DPF	D19803, C20160	1			
3	55279113	SENSOR, DOWNSTREAM DPF	D20160	1			

Legend	
1.3D	HORSE POWER (MARKET):
EURO6	ECOLOGY:EURO 6
19803	NEW TEMPERATURE SENSORS [DAT 02/09/2016]
20160	New DPF temperature sensor [DAT 14/10/2016]

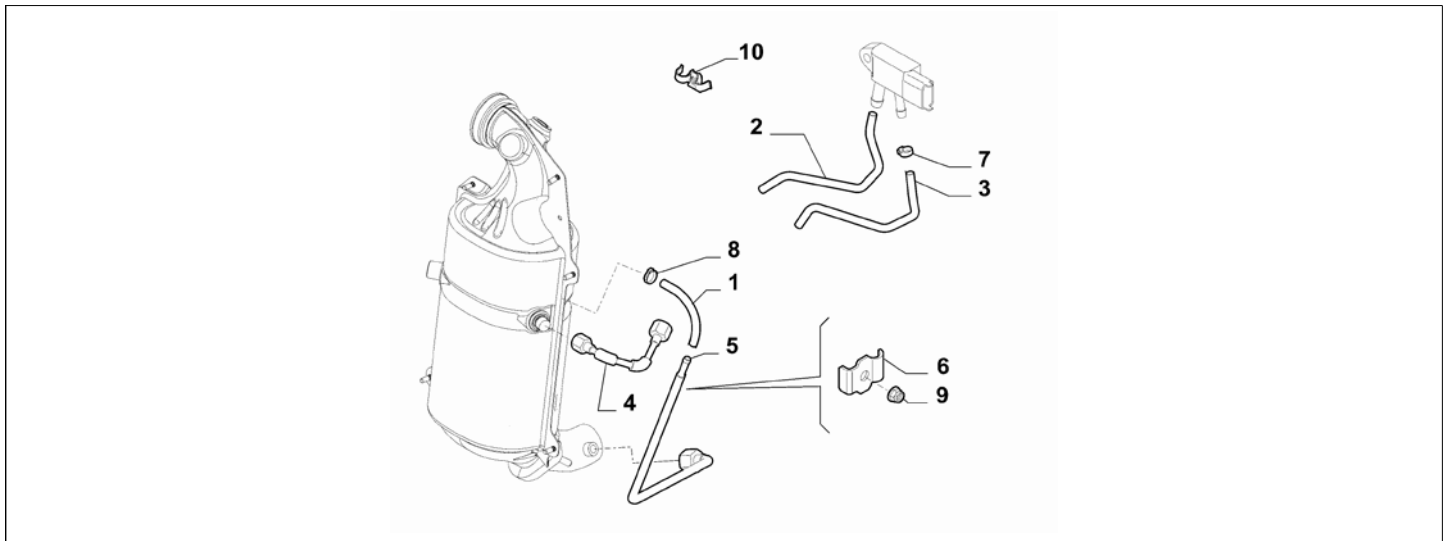
Catalogue	MITO 2013-2018	
Category	3.14 ANTI POLLUTION SYSTEM	
Var.	01	1.3D
Rev.	00	



Part Num.	Description	Compatibility	Modif.	Qty	Notes	Col.	Reman.
1	51908674 HOSE	EURO5		1			
1	52002900 HOSE	EURO6		1			
2	51868879 PIPE	EURO5		1			
2	51969296 PIPE	EURO6		1			
3	1357724080 BRACKET	EURO5		1			
4	1357725080 BRACKET	EURO5		1			
4	52028501 BRACKET	EURO6		1			
5	14058311 NUT			1			
6	11612824 SCREW AND WASHER ASSY			2			
7	13125170 COLLAR, DIAM 10-12,5			2			
7	13125370 COLLAR, DIAM. 12-13			2			
8	50517816 CLIP	EURO6		1			

Legend	
1.3D	HORSE POWER (MARKET):
EURO5	ECOLOGY:LIM.ECC PHASE 5
EURO6	ECOLOGY:EURO 6

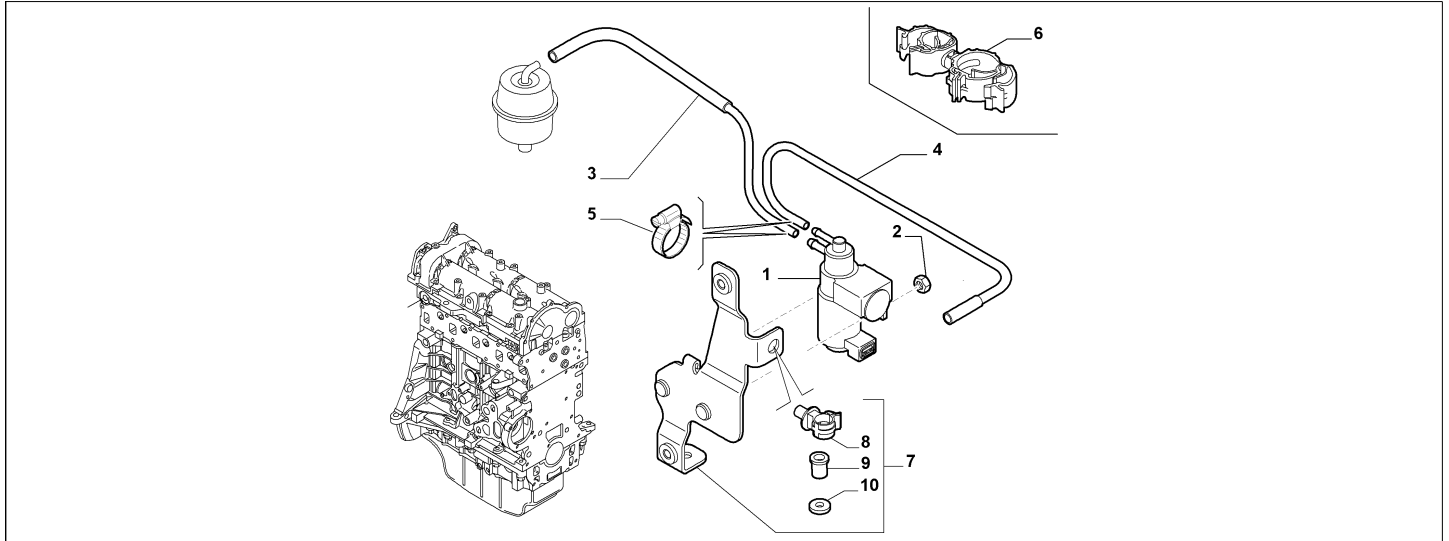
Catalogue	MITO 2013-2018	
Category	3.14 ANTI POLLUTION SYSTEM	
Var.	02	1.6D
Rev.	00	



Part Num.	Description	Compatibility	Modif.	Qty	Notes	Col.	Reman.
1	51822112 HOSE			1			
2	50517398 HOSE, INGRESSO			1			
3	50517397 HOSE, USCITA			1			
4	50527858 PIPE			1			
5	50527859 PIPE			1			
6	51779223 BRACKET			1			
7	13125370 COLLAR, DIAM. 12-13			2			
7	13125470 COLLAR, DIAM 13-14			2			
8	13125170 COLLAR, DIAM. 10-12.5			2			
9	14058311 NUT			1			
10	50517816 CLIP			1			

Legend	
1.6D	HORSE POWER (MARKET):1598

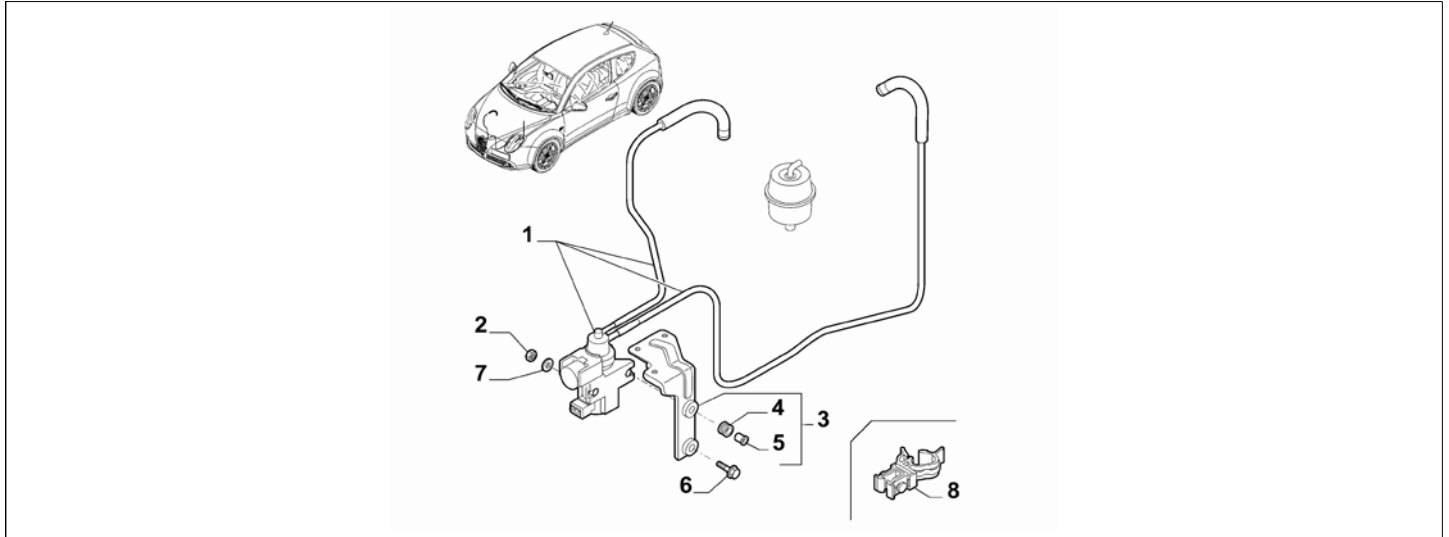
Catalogue	MITO 2013-2018	
Category	3.14 ANTI POLLUTION SYSTEM	
Var.	01	1.3D
Rev.	00	



Part Num.	Description	Compatibility	Modif.	Qty	Notes	Col.	Reman.
1	55256638	ELECTRO-VALVE		1			
2	13046114	NUT		2			
3	51816518	HOSE		1			
4	51879296	SLEEVE		1			
5	13432070	COLLAR, DIAM 13,3		1			
6	46822100	CLIP		1			
7	51816522	BRACKET	EURO5	1			
8	7723707	CLIP	EURO5	1			
9	46445134	SPACER	EURO5	2			
10	4130912	PAD	EURO5	2			

Legend	
1.3D	HORSE POWER (MARKET):
EURO5	ECOLOGY:LIM.ECC PHASE 5

Catalogue	MITO 2013-2018	
Category	3.14 ANTI POLLUTION SYSTEM	
Var.	02	1.6D
Rev.	00	



Part Num.	Description	Compatibility	Modif.	Qty	Notes	Col.	Reman.
1	50518665 ELECTRO-VALVE			1			
2	14059911 NUT			2			
3	50518721 BRACKET			1			
4	46445134 SPACER			2			
5	4130912 PAD			2			
6	16286324 SCREW			2			
7	12647721 PLANE WASHER			2			
8	46458685 CLIP			3			

Legend	
1.6D	HORSE POWER (MARKET):1598