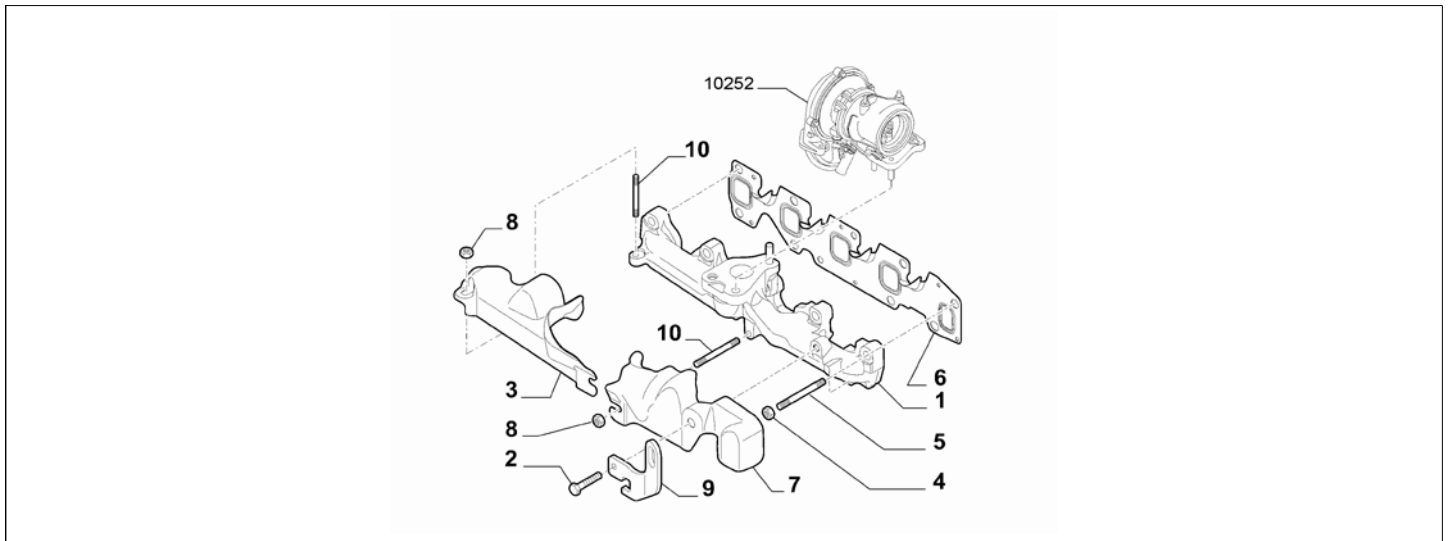


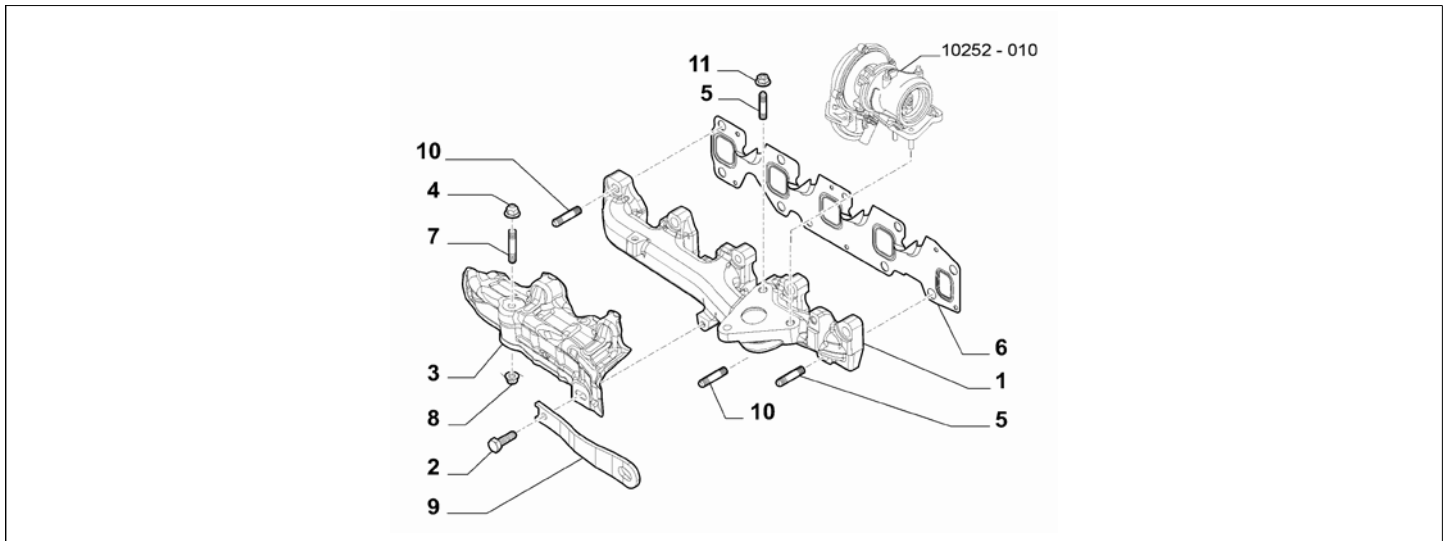
Catalogue	MITO 2013-2018	
Category	3.11 EXHAUST MANIFOLD	
Var.	01	1.3D + DIESEL + 85HP + EURO5
Rev.	00	



Part Num.	Description	Compatibility	Modif.	Qty	Notes	Col.	Reman.
1	55223907 EXHAUST MANIFOLD			01			
2	55192203 SCREW, M8X30			01			
3	55223745 PROTECTION, LH			01			
4	55206854 NUT, DIAM M8			10			
5	55211050 STUD, M8X12-30			10			
6	73500058 SEAL GASKET			01			
7	55223723 PROTECTION, RH			01			
8	14059911 NUT, DIAM M6			02			
9	55212071 BRACKET			01			
10	55222355 STUD, M6			02			

Legend	
1.3D	HORSE POWER (MARKET):
DIESEL	FUEL:DIESEL
EURO5	ECOLOGY:LIM.ECC PHASE 5
85HP	POWER:1.3 SDE 85HP EURO5

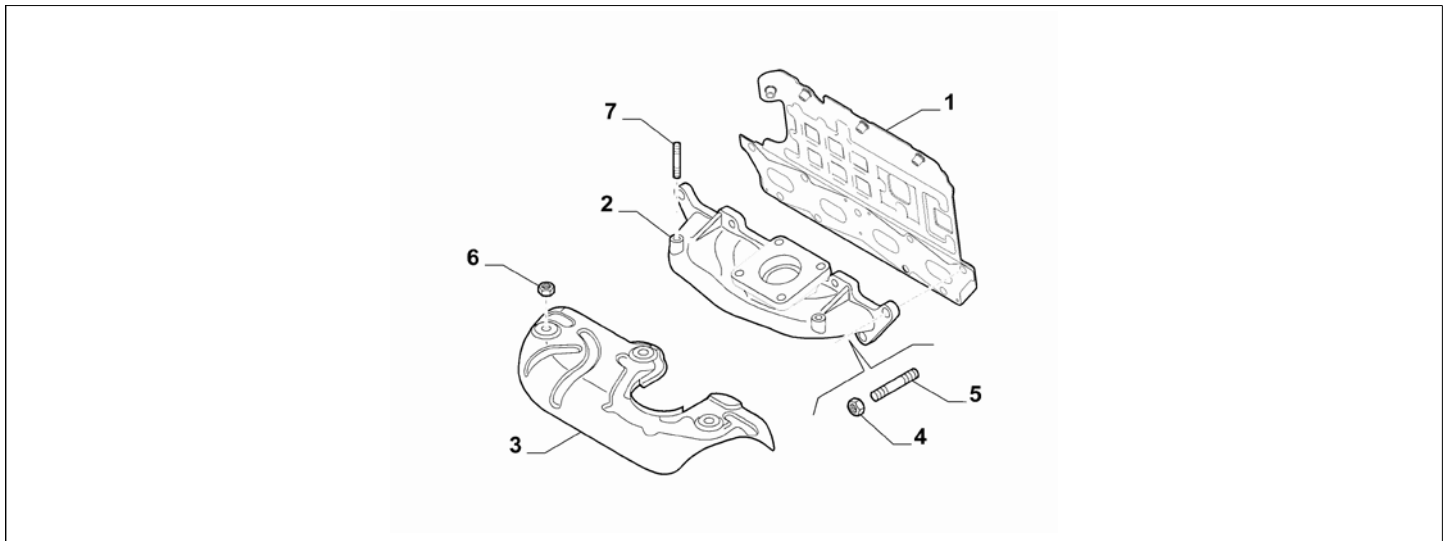
Catalogue	MITO 2013-2018	
Category	3.11 EXHAUST MANIFOLD	
Var.	02	1.3D + DIESEL + EURO6
Rev.	00	



Part Num.	Description	Compatibility	Modif.	Qty	Notes	Col.	Reman.
1	55249433 EXHAUST MANIFOLD			1			
2	55192203 SCREW, M8X30			1			
3	55254386 PROTECTION			1			
4	55206854 NUT, DIAM M8			10			
5	55205456 STUD, M8X12-25			2	TURBO FASTENING ON COLLAR		
6	73500058 SEAL GASKET			1			
7	55260717 STUD, M8X12-32			10	COLLAR FASTENING ON CH		
8	14059911 NUT, DIAM M6			2			
9	55274248 BRACKET			1			
10	55222355 STUD, M6			2			
11	55192175 NUT, M8			3			

Legend	
1.3D	HORSE POWER (MARKET):
DIESEL	FUEL:DIESEL
EURO6	ECOLOGY:EURO 6

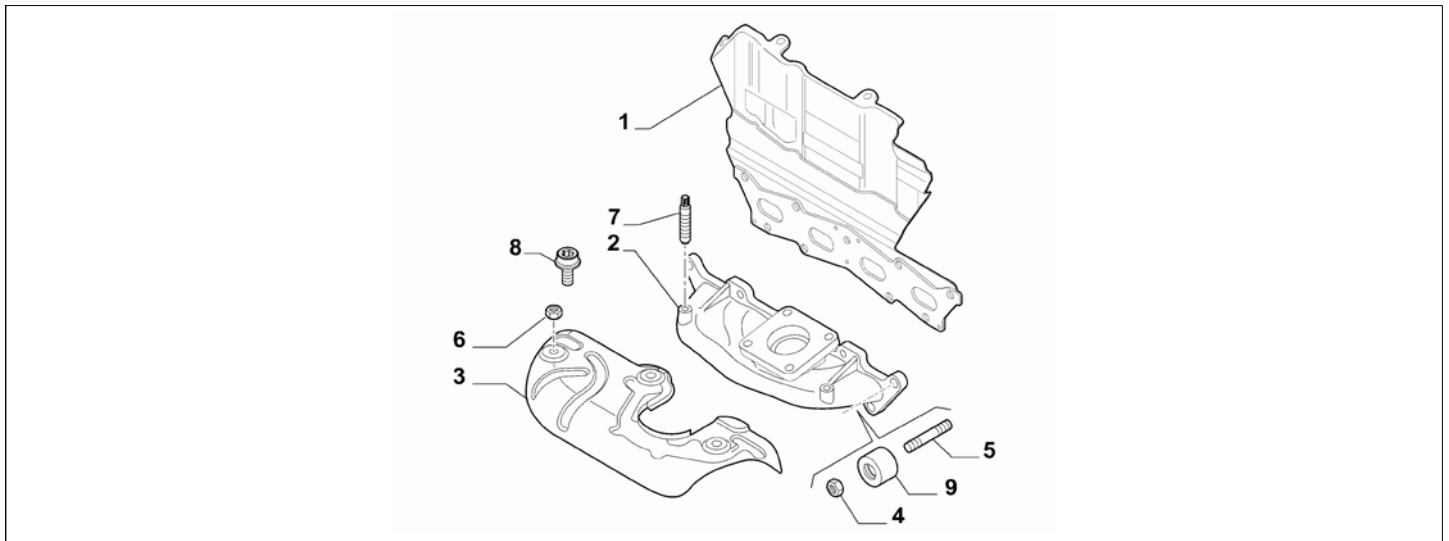
Catalogue	MITO 2013-2018	
Category	3.11 EXHAUST MANIFOLD	
Var.	03	1.4 + 16V + 120HP
Rev.	00	



Part Num.	Description	Compatibility	Modif.	Qty	Notes	Col.	Reman.
1	55222260 SEAL GASKET			01			
2	55213777 EXHAUST MANIFOLD			1			
3	55218947 PROTECTION			01			
4	55206854 NUT			09			
5	55210286 STUD, M6X9X12			09			
6	55192176 NUT, M6			03			
7	11500321 STUD, M6X9X12			03			

Legend	
1.4	HORSE POWER (MARKET):1370
120HP	POWER:1.6 JTD EURO5 -1.4 FIRE TRB 120HP
16V	TOTAL NUMBER OF VALVES:16 VALVES

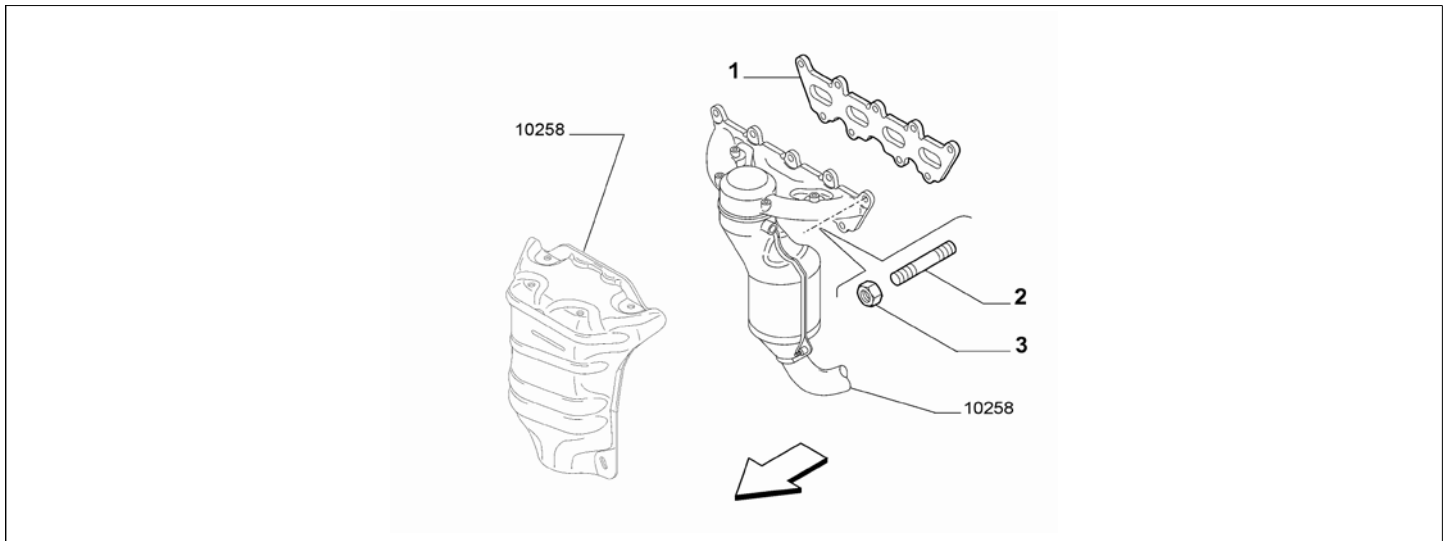
Catalogue	MITO 2013-2018	
Category	3.11 EXHAUST MANIFOLD	
Var.	04	1.4 + 16V + (135HP, 140HP, 170HP)
Rev.	00	



Part Num.	Description	Compatibility	Modif.	Qty	Notes	Col.	Reman.
1	55225376 SEAL GASKET	EURO5		01			
1	55278507 SEAL GASKET	EURO6		01			
2	55282011 EXHAUST MANIFOLD, ALTERNATIVE			01			
3	55248339 PROTECTION			01			
4	55206854 NUT		C17411	09			
4	55240796 NUT		D17411	09			
5	55248777 STUD			09			
6	55192176 NUT, M6			03			
7	55223857 STUD, M6X9X12			03			
8	55206778 SCREW			01			
9	55243007 SPACER			09			

Legend	
1.4	HORSE POWER (MARKET):1370
EURO5	ECOLOGY:LIM.ECC PHASE 5
EURO6	ECOLOGY:EURO 6
140HP	POWER:1.4 16V TURBO MULTIAIR 140 HP EURO 6
170HP	POWER:1.4 FIRE 16V TURBO MULTIAIR 170HP EURO 5
135HP	POWER:1.4 FIRE 16V TURBO MULTIAIR 135 HP EURO 5
16V	TOTAL NUMBER OF VALVES:16 VALVES
17411	New cylinder heads [DAT 30/08/2013]

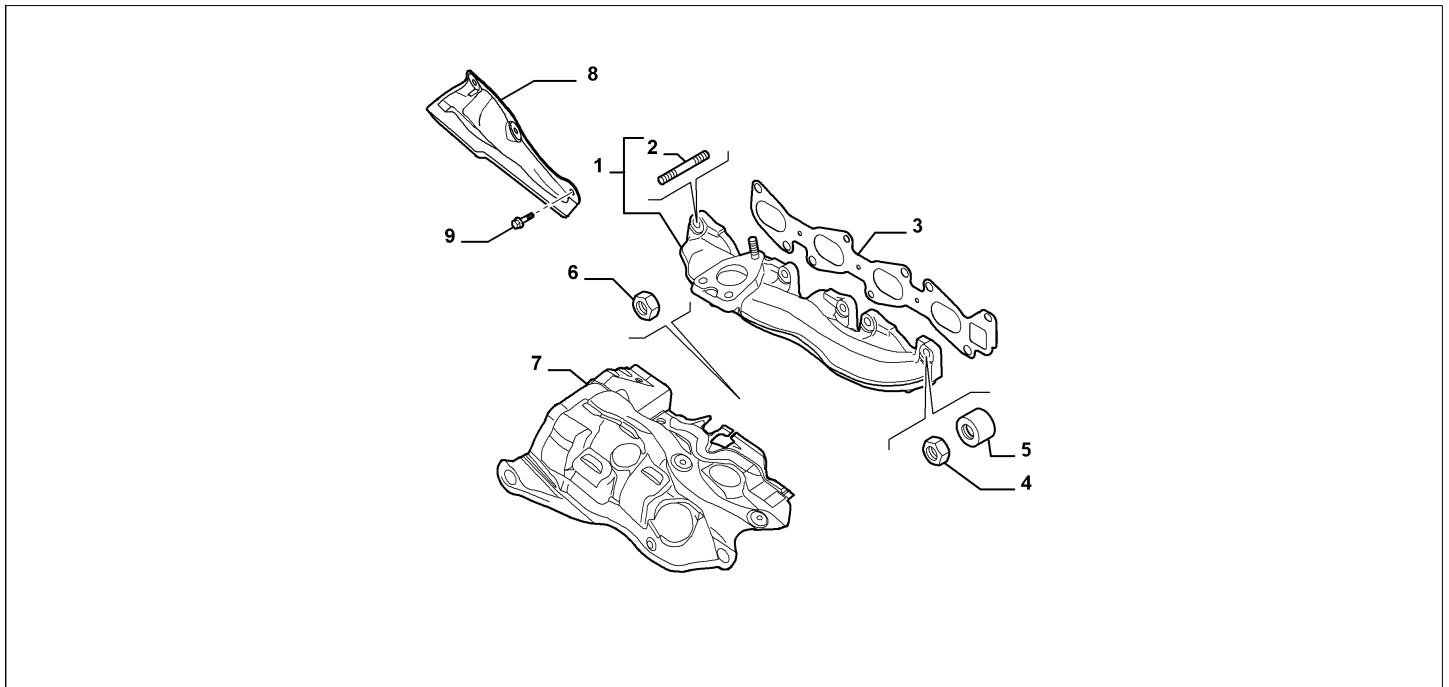
Catalogue	MITO 2013-2018	
Category	3.11 EXHAUST MANIFOLD	
Var.	05	1.4 + 8V + (70HP, 78HP)
Rev.	00	



Part Num.	Description	Compatibility	Modif.	Qty	Notes	Col.	Reman.
1	55199355 SEAL GASKET			1			
2	13588521 STUD, M8X30			8			
3	55192175 NUT			8			

Legend	
1.4	HORSE POWER (MARKET):1370
70HP	POWER:1.4 FIRE 8V 70HP EURO5-EURO6
78HP	POWER:1.4 FIRE 8V/16V 78HP EURO5
8V	TOTAL NUMBER OF VALVES:8 VALVES

Catalogue	MITO 2013-2018	
Category	3.11 EXHAUST MANIFOLD	
Var.	06	1.6D + DIESEL + 120HP
Rev.	00	



Part Num.	Description	Compatibility	Modif.	Qty	Notes	Col.	Reman.
1	55229728 EXHAUST MANIFOLD, COMPL			01			
2	55210641 STUD, M6X9-18			01			
3	55210879 SEAL GASKET			01			
4	55206854 NUT			09			
5	55243007 SPACER			09			
6	18750524 SCREW			02			
6	18750024 SCREW			02			
7	55259515 PROTECTION			01			
8	51822493 PROTECTION			01			
9	16296921 SCREW			03			
9	18750524 SCREW			02			
9	18750024 SCREW			02			

Legend	
1.6D	HORSE POWER (MARKET):1598
DIESEL	FUEL:DIESEL
120HP	POWER:1.6 JTD EURO5 -1.4 FIRE TRB 120HP