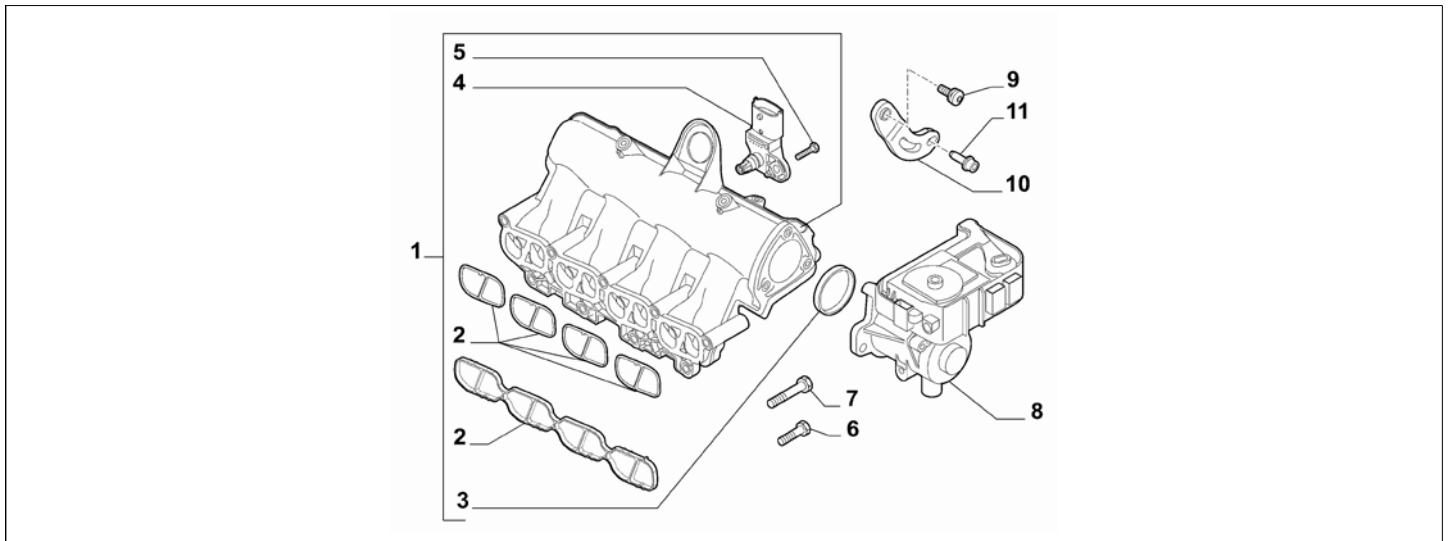


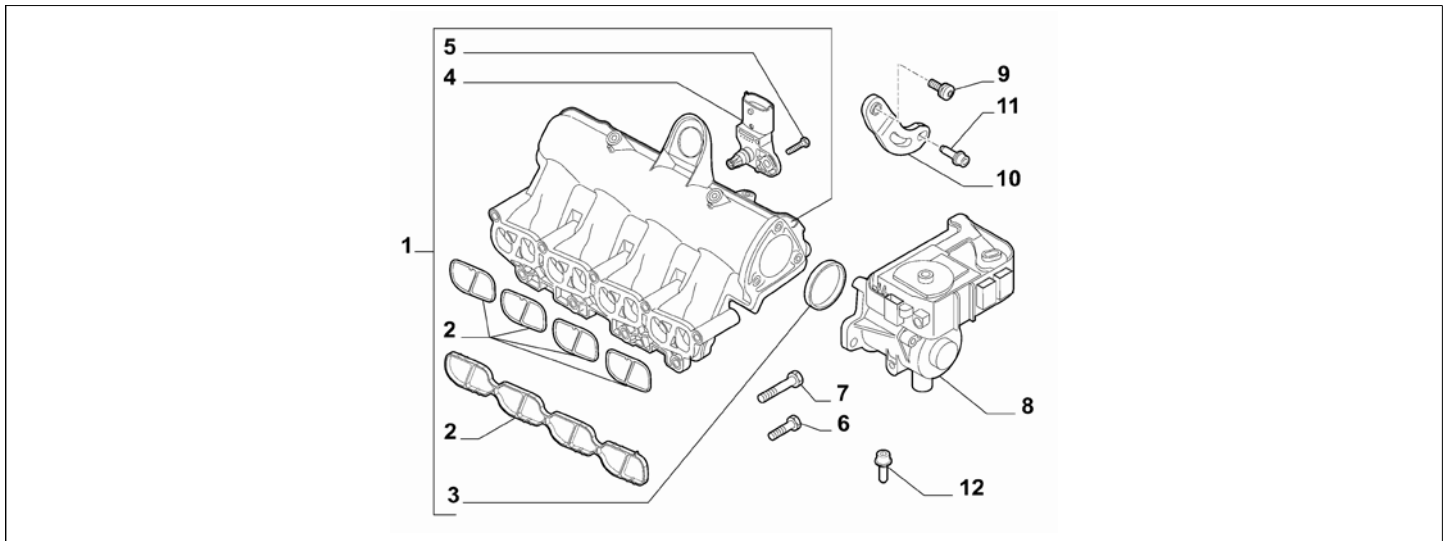
Catalogue	MITO 2013-2018	
Category	3.10 INTAKE MANIFOLD	
Var.	01	1.3D + DIESEL + 85HP + EURO5
Rev.	00	



	Part Num.	Description	Compatibility	Modif.	Qty	Notes	Col.	Reman.
1	55230898	INTAKE MANIFOLD			01			
2	71749369	SEAL GASKET, 4 PIECES			04	RED		
2	73501362	SEAL GASKET, ONE PIECE			04	GREEN		
3	71748758	SEAL GASKET			01			
4	55219298	SENDING UNIT			01			
5	71749370	SCREW			01			
6	55269765	SCREW AND WASHER ASSY, M8X30			04			
7	55269764	SCREW, M8X70			05			
8 A	55255919	RIGHT THROTTLE BODY		C22189	1			71796951
8 A	55261263	RIGHT THROTTLE BODY		D22189	1			71796954
9	51814493	SCREW			3			
10	55253785	BRACKET			1			
11	11568127	SCREW			1			
11	11568427	SCREW			1			

Legend	
1.3D	HORSE POWER (MARKET):
DIESEL	FUEL:DIESEL
EURO5	ECOLOGY:LIM.ECC PHASE 5
85HP	POWER:1.3 SDE 85HP EURO5
22189	NEW THROTTLED BODY [DAT 22/02/2018]

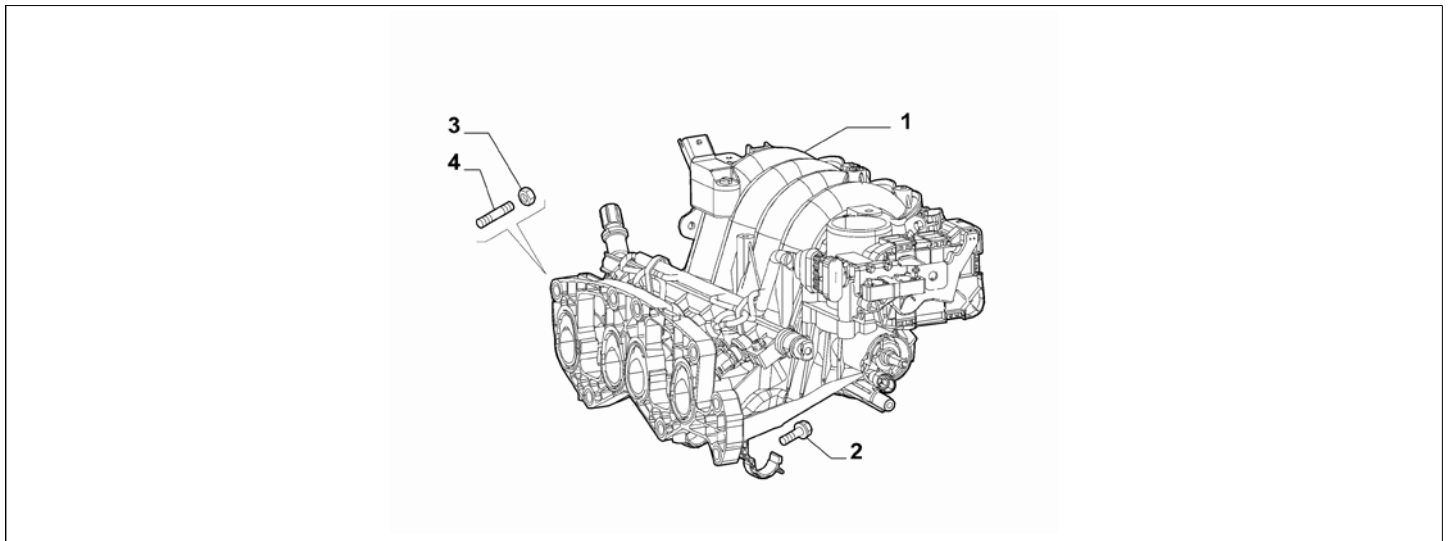
Catalogue	MITO 2013-2018	
Category	3.10 INTAKE MANIFOLD	
Var.	02	1.3D + DIESEL + EURO6
Rev.	00	



	Part Num.	Description	Compatibility	Modif.	Qty	Notes	Col.	Reman.
1	55230898	INTAKE MANIFOLD			1			
2	71749369	SEAL GASKET, 4 PIECES			1	RED		
2	73501362	SEAL GASKET, ONE PIECE			1	GREEN		
3	71748758	SEAL GASKET			1			
4	55219298	SENDING UNIT			1			
5	71749370	SCREW			1			
6	55269765	SCREW AND WASHER ASSY			4			
7	55269764	SCREW			5			
8	A 55255919	RIGHT THROTTLE BODY			1			71796951
8	A 55261263	RIGHT THROTTLE BODY			1			71796954
9	51814493	SCREW, M6X1X18			3			
10	55253785	BRACKET			1			
11	11568427	SCREW, M6X25			1			
11	11568127	SCREW, M6X20			1			
12	55270252	SCREW, M6X1X19			1			

Legend	
1.3D	HORSE POWER (MARKET):
DIESEL	FUEL:DIESEL
EURO6	ECOLOGY:EURO 6

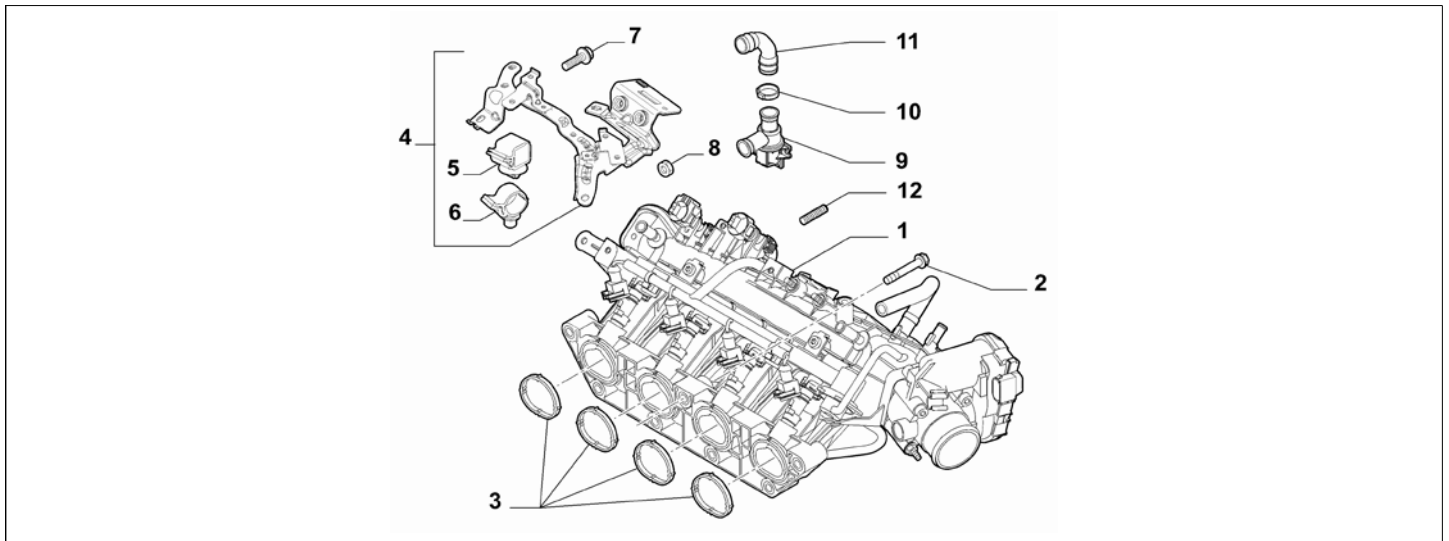
Catalogue	MITO 2013-2018	
Category	3.10 INTAKE MANIFOLD	
Var.	03	1.4 + 8V + (70HP, 78HP)
Rev.	00	



Part Num.	Description	Compatibility	Modif.	Qty	Notes	Col.	Reman.
1	71724729 AIR DUCT SYSTEM	EURO5	C13000	1	ONLY PARTS ARE SUPPLIED		
1	55224282 AIR DUCT SYSTEM	EURO5	D13000	1	ONLY PARTS ARE SUPPLIED		
1	55250530 AIR DUCT SYSTEM	EURO6	C19416	1	ONLY PARTS ARE SUPPLIED		
1	71797083 AIR DUCT SYSTEM	EURO6	D19416, C13000	1	ONLY PARTS ARE SUPPLIED		
1	55270185 AIR DUCT SYSTEM	EURO6	D13000	1	ONLY PARTS ARE SUPPLIED		
2	18752824 SCREW			2			
3	14059321 NUT			6			
4	46769313 STUD, M8X16X30			4			
4	46547237 STUD			2			

Legend	
1.4	HORSE POWER (MARKET):1370
EURO5	ECOLOGY:LIM.ECC PHASE 5
EURO6	ECOLOGY:EURO 6
70HP	POWER:1.4 FIRE 8V 70HP EURO5-EURO6
78HP	POWER:1.4 FIRE 8V/16V 78HP EURO5
8V	TOTAL NUMBER OF VALVES:8 VALVES
13000	TO MANAGE RECONDITIONED VEHICLES [DAT 31/03/2017]
19416	NEW P AND LPG INTAKE COLLECTORS [DAT 21/06/2016]

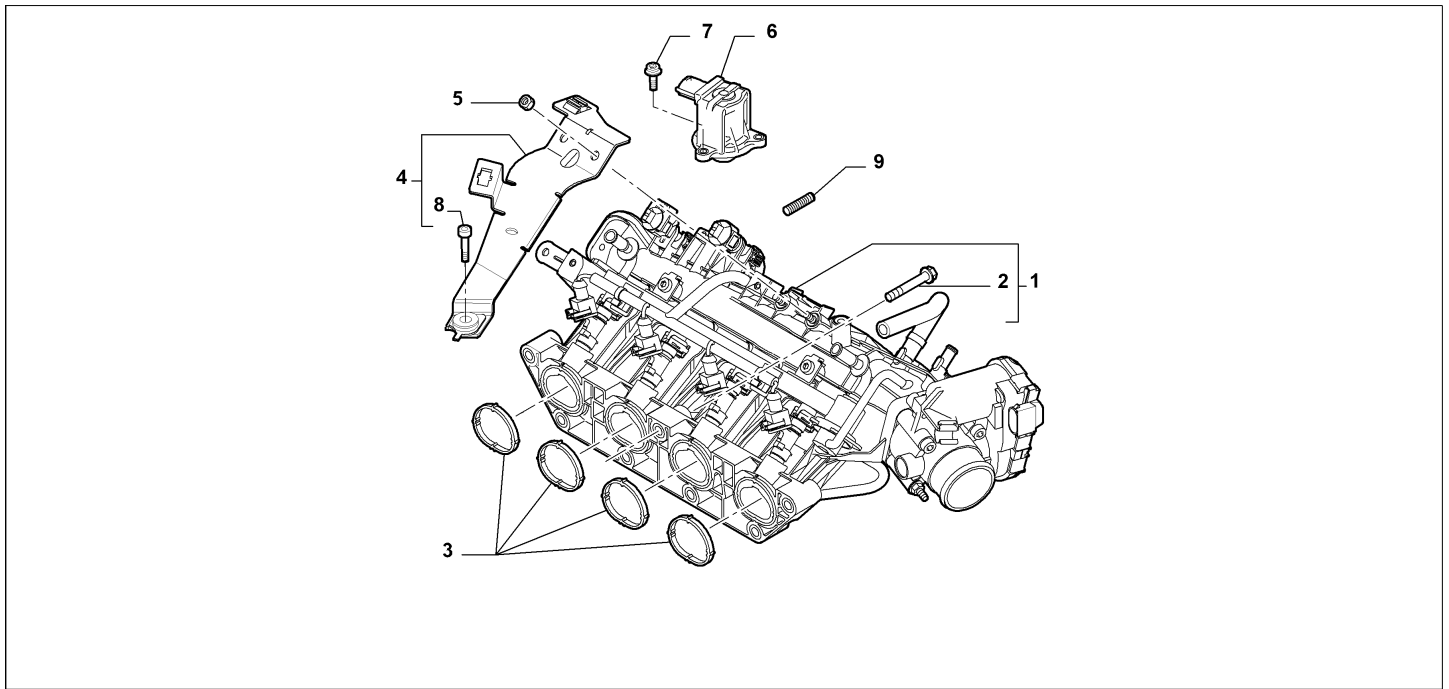
Catalogue	MITO 2013-2018	
Category	3.10 INTAKE MANIFOLD	
Var.	04	1.4 + 16V + 120HP
Rev.	00	



Part Num.	Description	Compatibility	Modif.	Qty	Notes	Col.	Reman.
1	55238469	AIR DUCT SYSTEM	EURO5	C16450	1	ONLY PARTS ARE SUPPLIED	
1	55245453	AIR DUCT SYSTEM	EURO5	D16450	1	ONLY PARTS ARE SUPPLIED	
1	55249514	AIR DUCT SYSTEM	EURO6	C17772	1	ONLY PARTS ARE SUPPLIED	
1	55259946	AIR DUCT SYSTEM	EURO6	D17772, C17773	1	ONLY PARTS ARE SUPPLIED	
1	55264155	AIR DUCT SYSTEM	EURO6	D17773, C21202	1	ONLY PARTS ARE SUPPLIED	
1	55284581	AIR DUCT SYSTEM	EURO6	D21202, C21786	1	ONLY PARTS ARE SUPPLIED	
1	46336340	AIR DUCT SYSTEM	EURO6	D21786	1	ONLY PARTS ARE SUPPLIED	
2	46747837	SCREW, M7X42			08		
2	55209800	SCREW			01		
3	77364551	REPAIR KIT			01		
4	55238470	BRACKET		C19241	01		
4	55256556	BRACKET		D19241	01		
5	7759253	CLIP			02		
6	60593367	CLIP			2		
7	55199486	SCREW			2		
8	14059911	NUT			3		
9	55257853	ELECTRO-VALVE			01		
10	51810011	COLLAR			02		
11	55211279	SLEEVE			01		
12	7795996	STUD, M7X21			02		

Legend	
1.4	HORSE POWER (MARKET):1370
EURO5	ECOLOGY:LIM.ECC PHASE 5
EURO6	ECOLOGY:EURO 6
120HP	POWER:1.6 JTD EURO5 -1.4 FIRE TRB 120HP
16V	TOTAL NUMBER OF VALVES:16 VALVES
16450	New intake manifold [MOT 178878]
17772	New intake manifold [DAT 30/07/2014]
17773	New intake manifold [DAT 01/01/2015]
19241	NEW BRACKET [DAT 20/02/2014]
21202	NEW ASPIRATION MANIFOLD [DAT 28/05/2017]
21786	New intake manifold [DAT 08/10/2017]

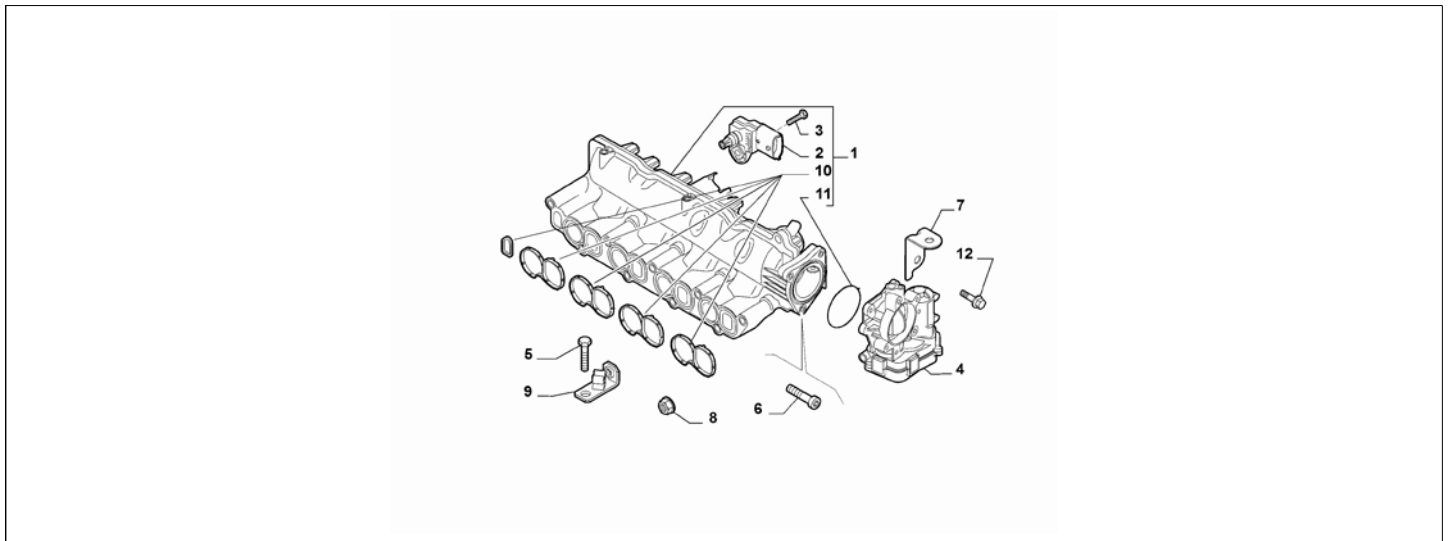
Catalogue	MITO 2013-2018	
Category	3.10 INTAKE MANIFOLD	
Var.	05	1.4 + 16V + (135HP, 170HP, 140HP)
Rev.	00	



Part Num.	Description	Compatibility	Modif.	Qty	Notes	Col.	Reman.
1	55225918	AIR DUCT SYSTEM, COMPL	EURO5	C21202	01	ONLY PARTS ARE SUPPLIED	
1	55284584	AIR DUCT SYSTEM, COMPL	EURO5	D21202	01	ONLY PARTS ARE SUPPLIED	
1	55251188	AIR DUCT SYSTEM	EURO6	C21202	1	ONLY PARTS ARE SUPPLIED	
1	55284584	AIR DUCT SYSTEM	EURO6	D21202	1	ONLY PARTS ARE SUPPLIED	
2	46747837	SCREW, M7X42			08		
2	55209800	SCREW			01		
3	71749160	SEAL GASKET			01		
4	55212258	BRACKET			01		
5	55192176	NUT			02		
6	55221800	ELECTRO-VALVE			01		
7	55225269	SCREW			03		
8	16286324	SCREW			01		
9	7795996	STUD, M7X21			02		

Legend	
1.4	HORSE POWER (MARKET):1370
EURO5	ECOLOGY:LIM.ECC PHASE 5
EURO6	ECOLOGY:EURO 6
140HP	POWER:1.4 16V TURBO MULTIAIR 140 HP EURO 6
170HP	POWER:1.4 FIRE 16V TURBO MULTIAIR 170HP EURO 5
135HP	POWER:1.4 FIRE 16V TURBO MULTIAIR 135 HP EURO 5
16V	TOTAL NUMBER OF VALVES:16 VALVES
21202	NEW ASPIRATION MANIFOLD [DAT 28/05/2017]

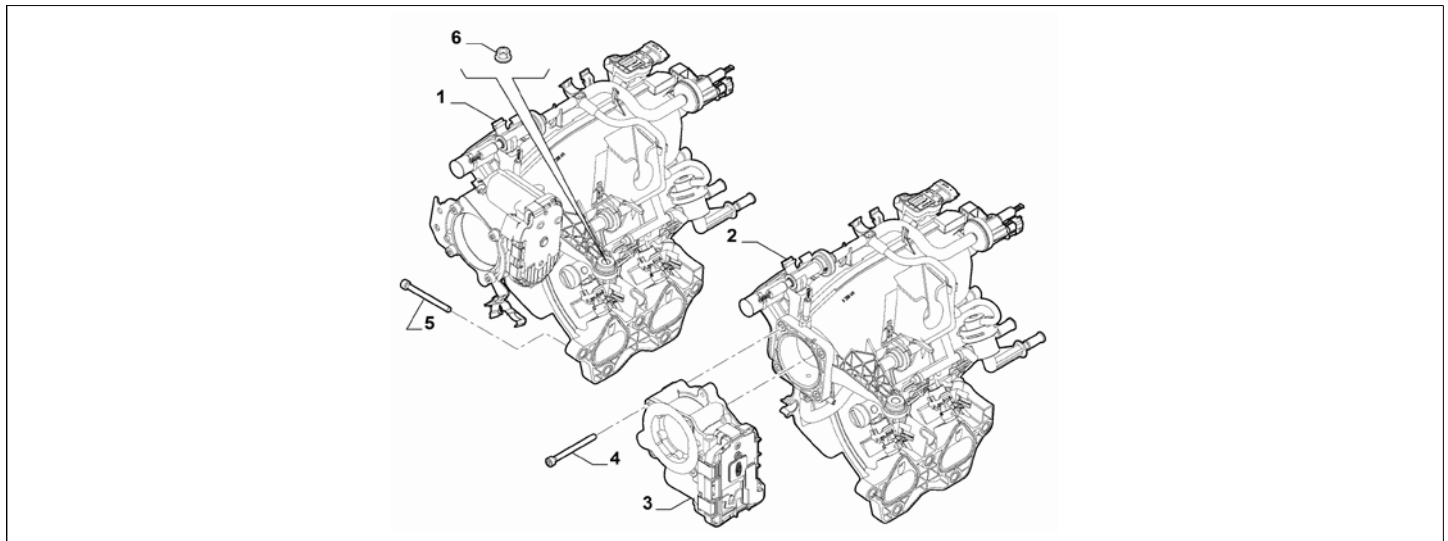
Catalogue	MITO 2013-2018	
Category	3.10 INTAKE MANIFOLD	
Var.	06	1.6D + DIESEL + 120HP
Rev.	00	



Part Num.	Description	Compatibility	Modif.	Qty	Notes	Col.	Reman.
1	55243670	INTAKE MANIFOLD, COMPLETE		01			
2	55219298	SENDING UNIT		1			
3	55217461	SCREW		01			
4	55220870	RIGHT THROTTLE BODY	C13000	01			71724187
4	55270589	RIGHT THROTTLE BODY	D13000	01			71795495
5	16288421	SCREW		01			
5	18750624	SCREW		01			
6	16297024	SCREW		02			
6	16286724	SCREW		01			
7	71754009	KIT		01			
8	55192175	NUT		09			
9	55210343	BRACKET		01			
10	71753077	SEAL GASKET		01			
11	55272058	SEAL GASKET		01			
12	60812928	SCREW		02			

Legend	
1.6D	HORSE POWER (MARKET):1598
DIESEL	FUEL:DIESEL
120HP	POWER:1.6 JTD EURO5 -1.4 FIRE TRB 120HP
13000	TO MANAGE RECONDITIONED VEHICLES [DAT 31/03/2017]

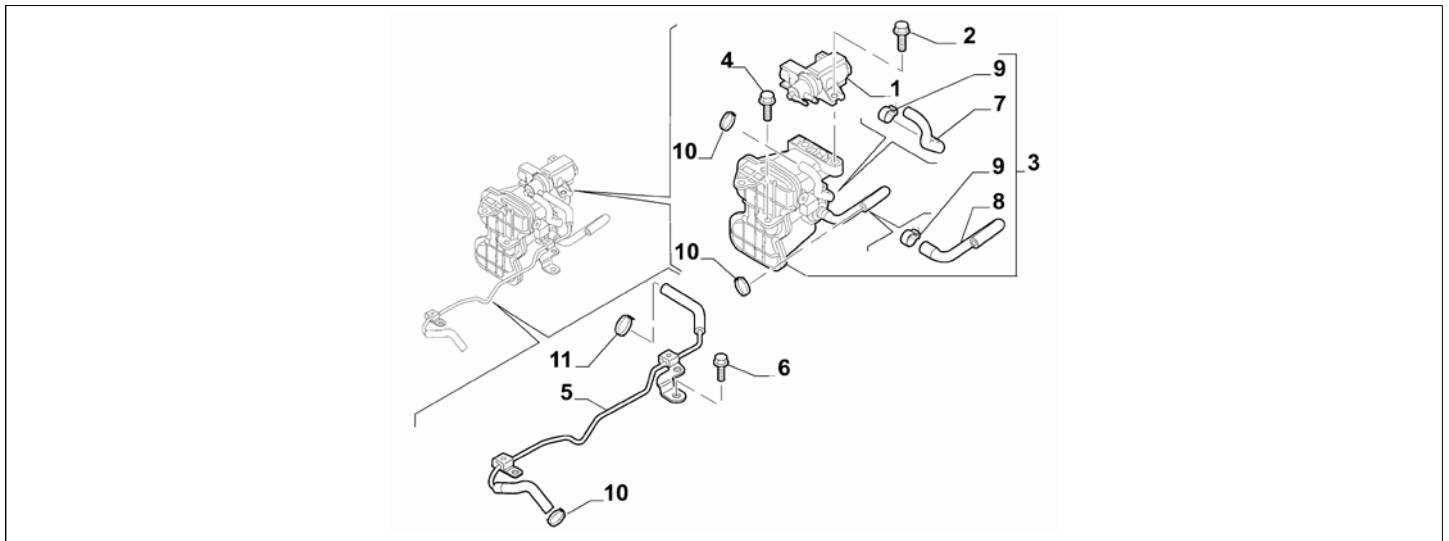
Catalogue	MITO 2013-2018	
Category	3.10 INTAKE MANIFOLD	
Var.	01	875CC + (85HP, 105HP) + TURBO + PETROL
Rev.	00	



Part Num.	Description	Compatibility	Modif.	Qty	Notes	Col.	Reman.
1	55246303 AIR DUCT SYSTEM		C17508	1	ONLY PARTS ARE SUPPLIED		
2	55268289 AIR DUCT SYSTEM		D17508, C21134	1	ONLY PARTS ARE SUPPLIED		
2	55283636 AIR DUCT SYSTEM		D21134	1	ONLY PARTS ARE SUPPLIED		
3	55255314 BZ THROTTLE BODY		D17508	1			71796945
4	55260832 SCREW		D17508	4			
5	18752821 SCREW			5			
6	12578118 NUT, M6			1			

Legend	
TURBO	(ASPIRATED/TURBO):TURBO
875CC	HORSE POWER (MARKET):875
PETROL	FUEL:PETROL
85HP	POWER:1.3 SDE 85HP EURO5
105HP	POWER:0.9 TWINAIR 105HP
17508	New engine control module + new throttle body + new engine wiring [DAT 09/05/2014, TEL X023623]
21134	NEW INTAKE MANIFOLD [DAT 21/04/2017]

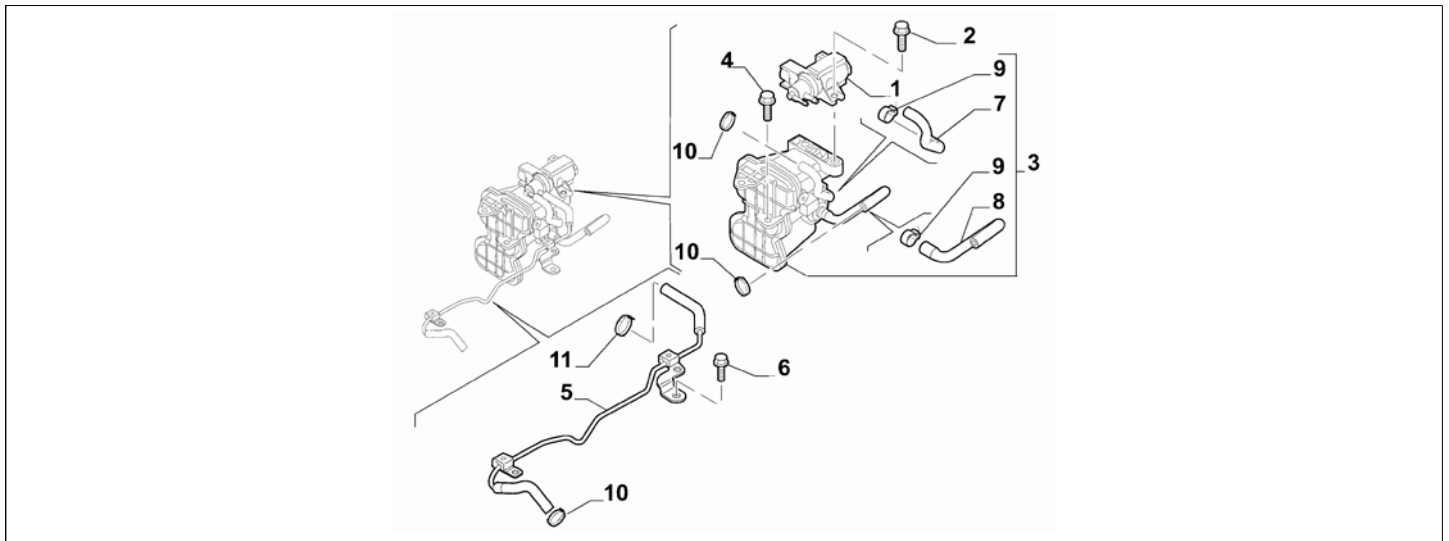
Catalogue	MITO 2013-2018	
Category	3.10 INTAKE MANIFOLD	
Var.	01	875CC + 85HP + TURBO + PETROL
Rev.	00	



Part Num.	Description	Compatibility	Modif.	Qty	Notes	Col.	Reman.
1	55203202 ELECTRO-VALVE			1			
2	16286024 SCREW			2			
3	55238645 TANK			1			
4	16286024 SCREW			2			
5	55233917 HOSE			1			
6	18750234 SCREW AND WASHER ASSY			1			
7	71769400 SLEEVE			1			
8	71769401 SLEEVE			1			
9	71769402 COLLAR			2			
10	13125070 COLLAR			3			
11	13127170 COLLAR			1			

Legend	
TURBO	(ASPIRATED/TURBO):TURBO
875CC	HORSE POWER (MARKET):875
PETROL	FUEL:PETROL
85HP	POWER:1.3 SDE 85HP EURO5

Catalogue	MITO 2013-2018	
Category	3.10 INTAKE MANIFOLD	
Var.	02	875CC + 105HP + TURBO + PETROL
Rev.	00	



Part Num.	Description	Compatibility	Modif.	Qty	Notes	Col.	Reman.
1	55256638 ELECTRO-VALVE			1			
2	16286024 SCREW			2			
3	55238645 TANK			1			
4	16286024 SCREW			2			
5	55233917 HOSE			1			
6	18750234 SCREW AND WASHER ASSY			1			
7	71769400 SLEEVE			1			
8	71769401 SLEEVE			1			
9	71769402 COLLAR			2			
10	13125070 COLLAR			3			
11	13127170 COLLAR			1			

Legend	
TURBO	(ASPIRATED/TURBO):TURBO
875CC	HORSE POWER (MARKET):875
PETROL	FUEL:PETROL
105HP	POWER:0.9 TWINAIR 105HP