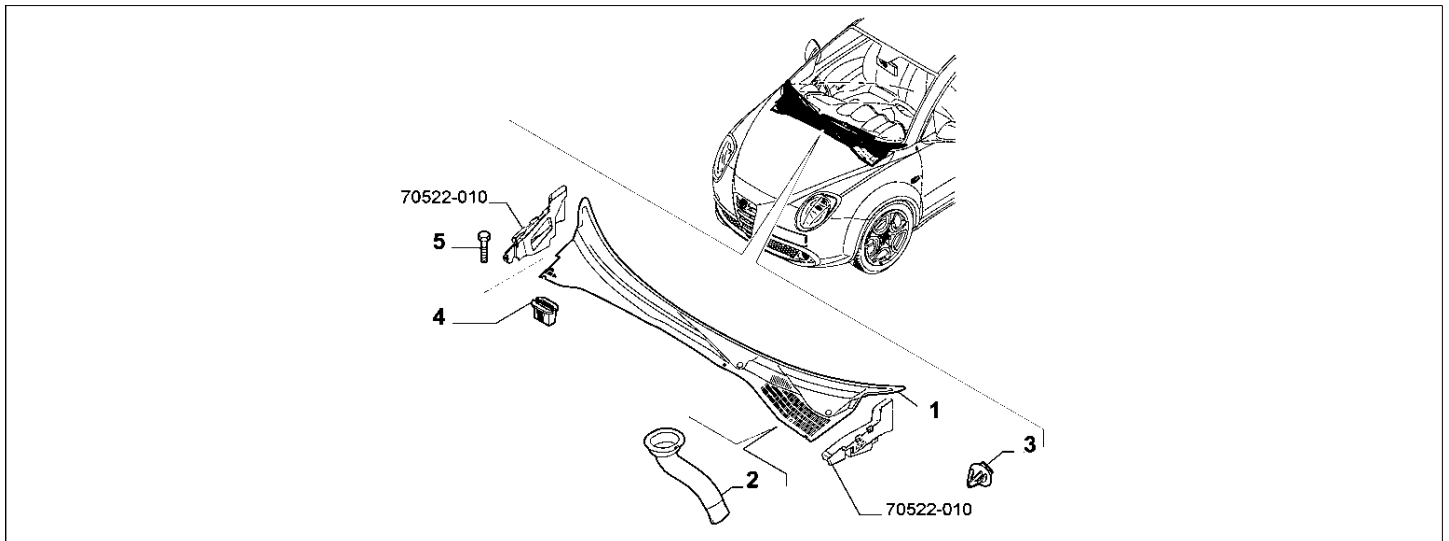


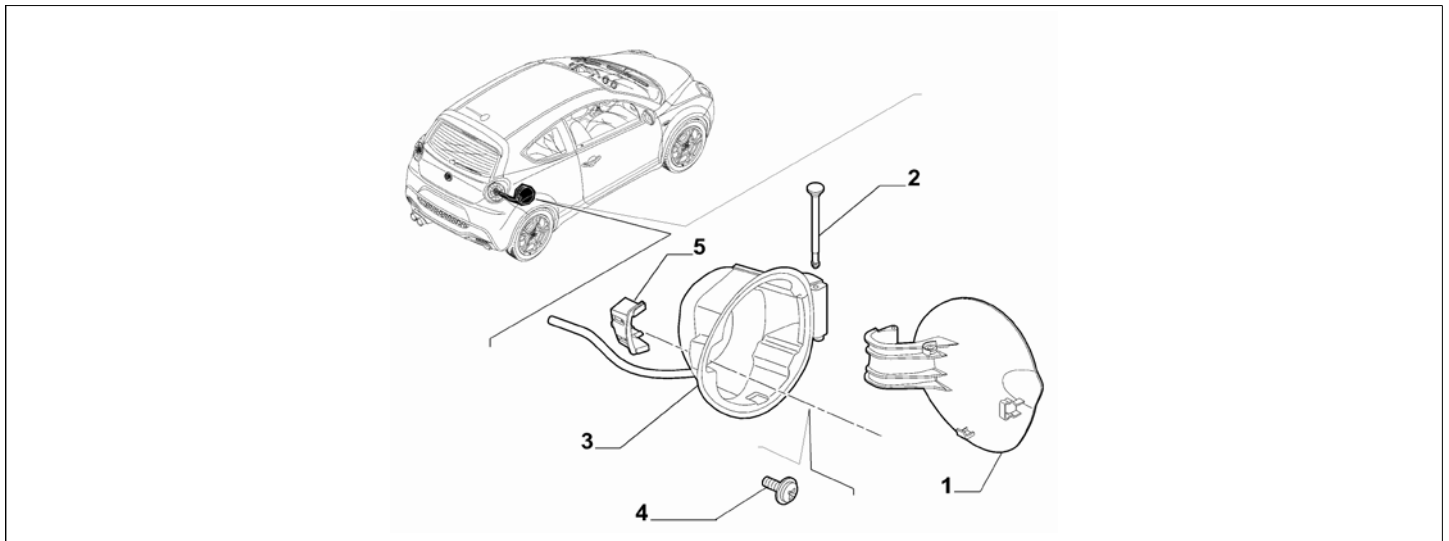
Catalogue	MITO 2013-2018	
Category	24.3 FRONT SCUTTLE AND FUEL FILLER CAP	
Var.	01	
Rev.	00	



Part Num.	Description	Compatibility	Modif.	Qty	Notes	Col.	Reman.
1	156099902	ORNAMENT	LHD	C18433	1		
1	156114022	ORNAMENT	LHD	D18433	1		
1	156099903	ORNAMENT	RHD	C18823	1		
1	156116046	ORNAMENT	RHD	D18823	1		
2	51885638	SLEEVE, RIGHT			1		
2	51810013	SLEEVE, LEFT			1		
3	51909780	PIN, LEFT			1		
3	51909781	PIN, RIGHT			1		
4	7754387	PAD			3		
5	15532209	SCREW, 8X19			3		

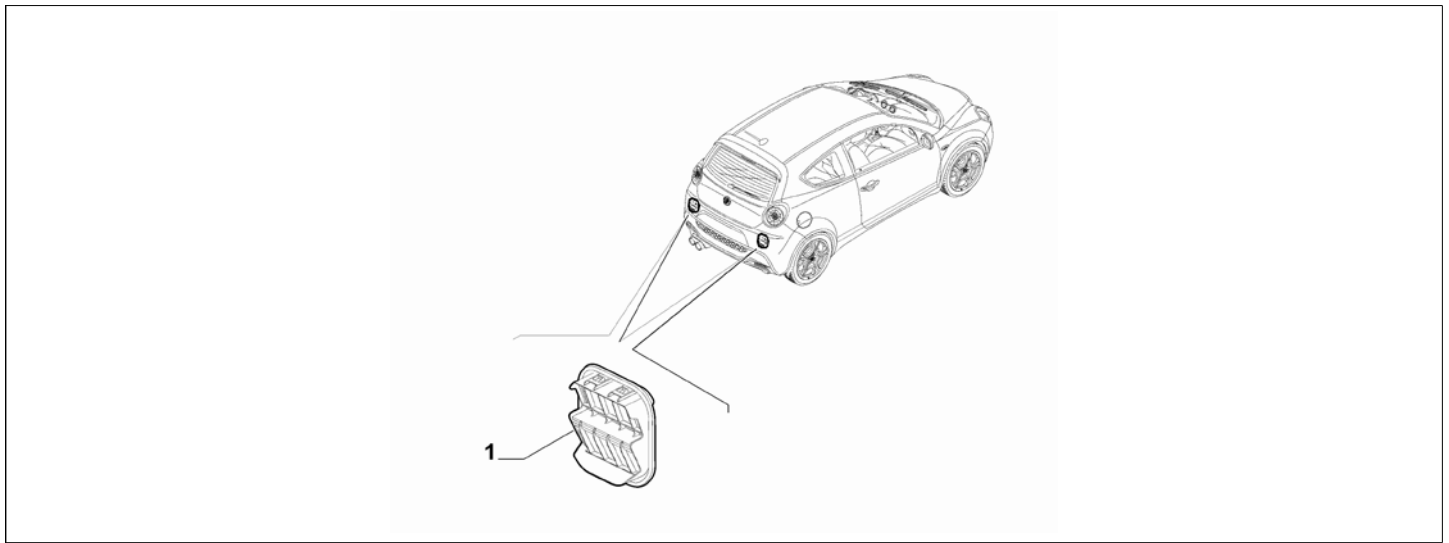
Legend	
RHD	STEERING:RIGHT
LHD	STEERING:LEFT
18433	new under-windshield trim [DAT 17/04/2015]
18823	regularise GR badge [DAT 08/01/2016]

Catalogue	MITO 2013-2018	
Category	24.3 FRONT SCUTTLE AND FUEL FILLER CAP	
Var.	01	
Rev.	00	



Part Num.	Description	Compatibility	Modif.	Qty	Notes	Col.	Reman.
1	156084719 LID			1	WITH PRIMER		
2	50508668 PIN			1			
3	50508667 END PLATE			1			
4	16083607 SCREW, 4X16			1			
5	50508669 STRIKER PLATE			1			

Catalogue	MITO 2013-2018	
Category	24.3 FRONT SCUTTLE AND FUEL FILLER CAP	
Var.	01	
Rev.	00	



Part Num.	Description	Compatibility	Modif.	Qty	Notes	Col.	Reman.
1	51826662 ORNAMENT			2			