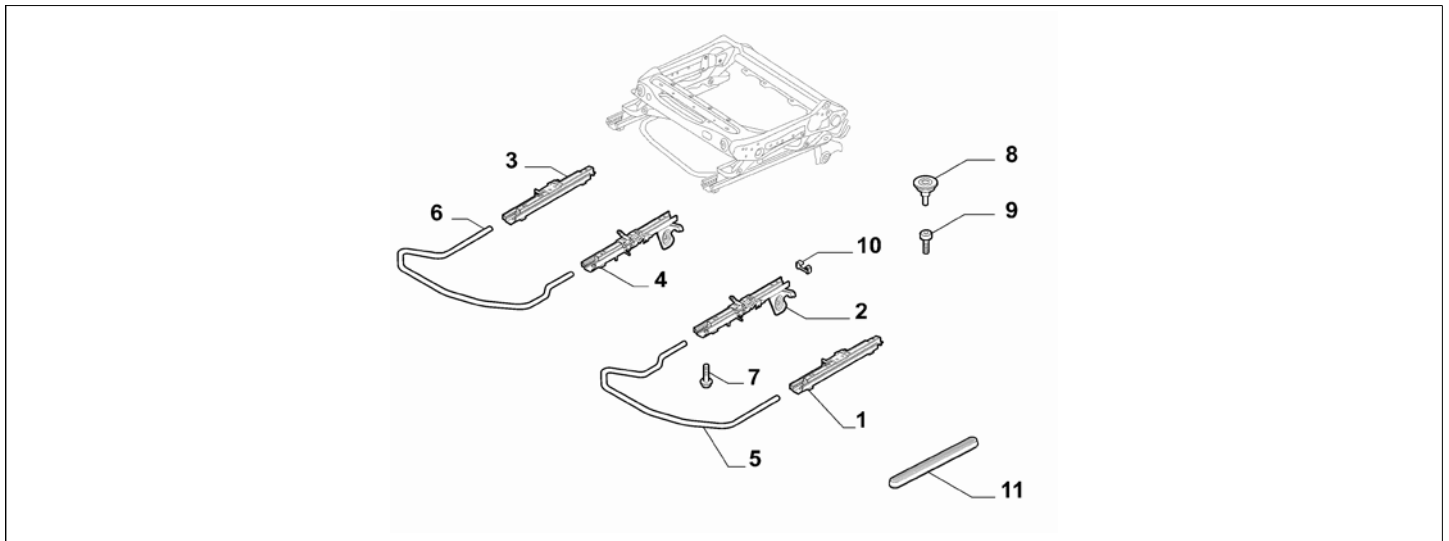


Catalogue	MITO 2013-2018	
Category	23.2 FRONT SEAT RAILS	
Var.	01	
Rev.	00	



Part Num.	Description	Compatibility	Modif.	Qty	Notes	Col.	Reman.
1	55701702	GUIDE, EXTERNAL LEFT		01			
1	71754451	GUIDE, EXTERNAL LEFT		01			
2	55703388	GUIDE, INTERNAL LEFT		01			
2	71754450	GUIDE, INTERNAL LEFT		01			
3	55701703	GUIDE, RIGHT EXTERNAL		01			
3	71754482	GUIDE, RIGHT EXTERNAL		01			
4	55703389	GUIDE, INTERNAL RIGHT		01			
4	71754481	GUIDE, INTERNAL RIGHT		01			
5	55703397	HANDLE, LEFT		01			
5	71754452	HANDLE, LEFT		01			
6	55703398	HANDLE, RIGHT		01			
6	71754483	HANDLE, RIGHT		01			
7	55702349	SCREW, M8X22		10			
8	55702070	PIN		02			
9	55702494	SCREW		04			
10	47303109	COVERING		04			
10	71754453	SHIELD		04			
11	71754444	COVERING, LEFT SIDE		02			
11	71754476	COVERING, RIGHT SIDE		02			

Legend	
180	SPORTS SEATS
4MZ	UPHOLSTERING EXTRA SERIES 6
LL0	TRIM LEVEL:PROGRESSION - MITO (EX ENERGY - EX BASIC)
LL1	TRIM LEVEL:VELOCE - QUADRIFOGLIO VERDE
LL2	TRIM LEVEL:DISTINCTIVE - SUPER (EX MOVE - EX ELEG.)
LL4	TRIM LEVEL:ESSENTIAL
LL5	TRIM LEVEL:SBK