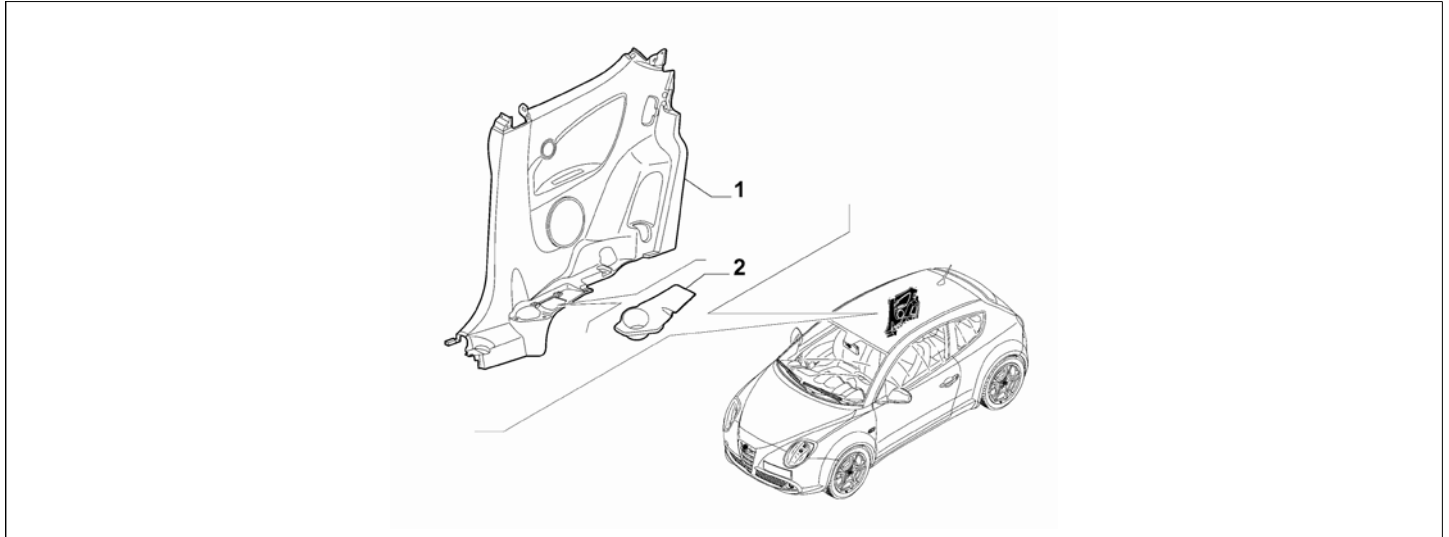


Catalogue	MITO 2013-2018	
Category	22.6 TRIMMING (PANELS)	
Var.	01	
Rev.	00	

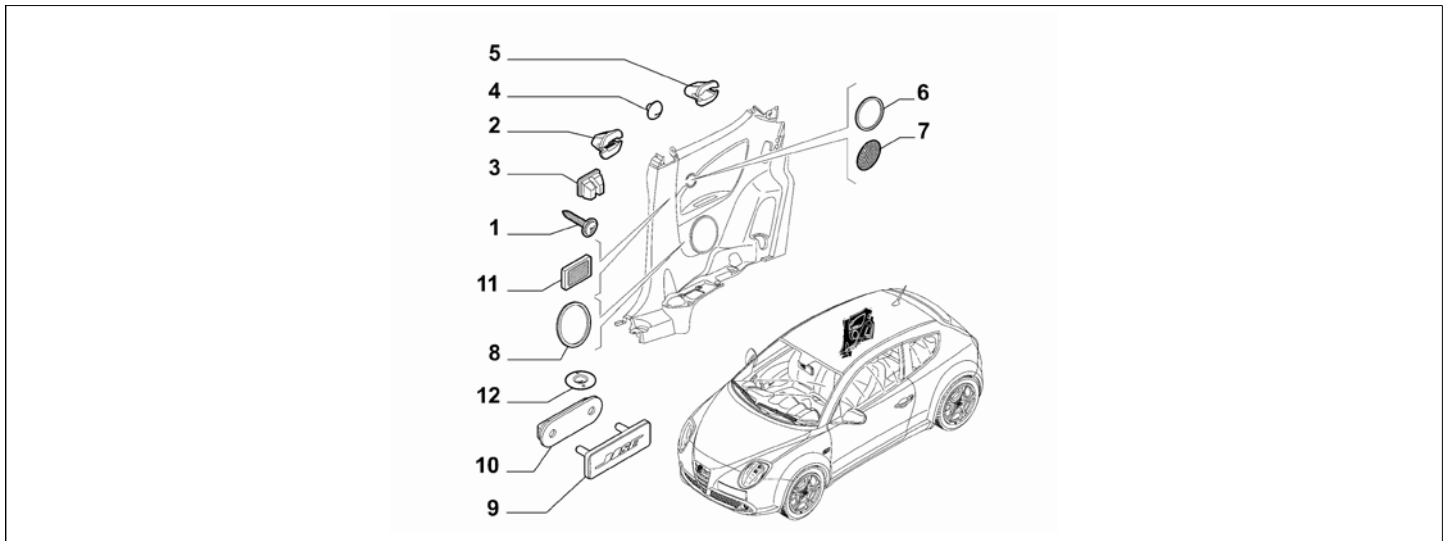


Part Num.	Description	Compatibility	Modif.	Qty	Notes	Col.	Reman.
1	156099534	COVERING, LEFT	LHD+(4N5, 727, 4HV, 4TF, 5ED, 180)	1		PLALM-808	
1	156099540	COVERING, LEFT	RHD+(4N5, 727, 4HV, 4TF, 5ED, 180)	1		PLALM-808	
1	156102446	COVERING, LEFT	LHD+(14N5+1727+14HV+14TF+15ED+1180+17WT)	1			
1	156102447	COVERING, LEFT	RHD+(14N5+1727+14HV+14TF+15ED+1180)	1			
1	156109208	COVERING, LEFT	LL2+7WT	1			
1	156099546	COVERING, RIGHT	LL1, LL5, 4TF, 180, 727, 4N5, 5ED, 4HV	1		PLALM-808	
1	156102450	COVERING, RIGHT	LL0+1180+14HV+14TF+15ED+17WT, LL2+1180+14HV+14N5+14TF+15ED+1727+17WT, LL4+14HV+14TF+15ED+17WT	1			
1	156109212	COVERING, RIGHT	LL2+7WT	1			
1	156099534	COVERING, LEFT	(LL0, LL2, LL4)+88R	1		PLALM-808	
1	156099534	COVERING, LEFT	212+6BG+LL2+MY16	1		PLALM-808	
1	156102446	COVERING, LEFT	(LL0, LL2, LL4)+1180+1212+14HV+14N5+14TF+15ED+16BG+1727+17WT+188R	1			
1	156102446	COVERING, LEFT	16BG+212+LL2	1			
1	156099546	COVERING, RIGHT	(LL0, LL2, LL4)+88R	1		PLALM-808	
1	156099546	COVERING, RIGHT	212+6BG+LL2+MY16	1		PLALM-808	
1	156102450	COVERING, RIGHT	(LL0, LL2, LL4)+1180+1212+14HV+14N5+14TF+15ED+16BG+1727+17WT+188R	1			
1	156102450	COVERING, RIGHT	16BG+212+LL2	1			
2	156084374	ORNAMENT, RIGHT		1			
2	156084358	ORNAMENT, LEFT		1			

Legend	
180	SPORTS SEATS
212	EXTRA SERIES 2 LEATHER UPHOLSTERY
4HV	UPHOLSTERY EXTRA SERIES 5
4N5	UPHOLSTERING EXTRA SERIES 7
4TF	UPHOLSTERING EXTRA SERIES 8
5ED	UPHOLSTERING EXTRA SERIES 9
6BG	EXTRA SERIES 2 DASHBOARD
727	UPHOLSTERING EXTRA SERIES 3
7WT	UPHOLSTERY EXTRA SERIES 11
88R	EXTRA SERIES SEATS 2
RHD	STEERING:RIGHT
LHD	STEERING:LEFT
LL0	TRIM LEVEL:PROGRESSION - MITO (EX ENERGY - EX BASIC)

LL1	TRIM LEVEL:VELOCE - QUADRIFOGLIO VERDE
LL2	TRIM LEVEL:DISTINCTIVE - SUPER (EX MOVE - EX ELEG.)
LL4	TRIM LEVEL:ESSENTIAL
LL5	TRIM LEVEL:SBK
MY16	MODEL YEAR:MCA 2016
PLALM-808	BLACK DASHBOARD

Catalogue	MITO 2013-2018	
Category	22.6 TRIMMING (PANELS)	
Var.	01	
Rev.	00	



Part Num.	Description	Compatibility	Modif.	Qty	Notes	Col.	Reman.
1	15691007 SCREW			10			
2	50512933 PAD			2			
3	51782438 PAD			4			
4	735410495 PLUG			2			
5	7754387 PAD			4			
6	71769035 SEAL GASKET			2			
7	71769036 GRILL			2			
8	71752130 SEAL GASKET			2	BLACK		
8	71752131 SEAL GASKET			2	TITANIUM		
9	156087233 ORNAMENT	718		2			
10	50513257 ORNAMENT	718		2			
11	71769034 PLUG			2			
12	7799951 BUTTON			2			

Legend	
718	HI-FI AUDIO SYSTEM