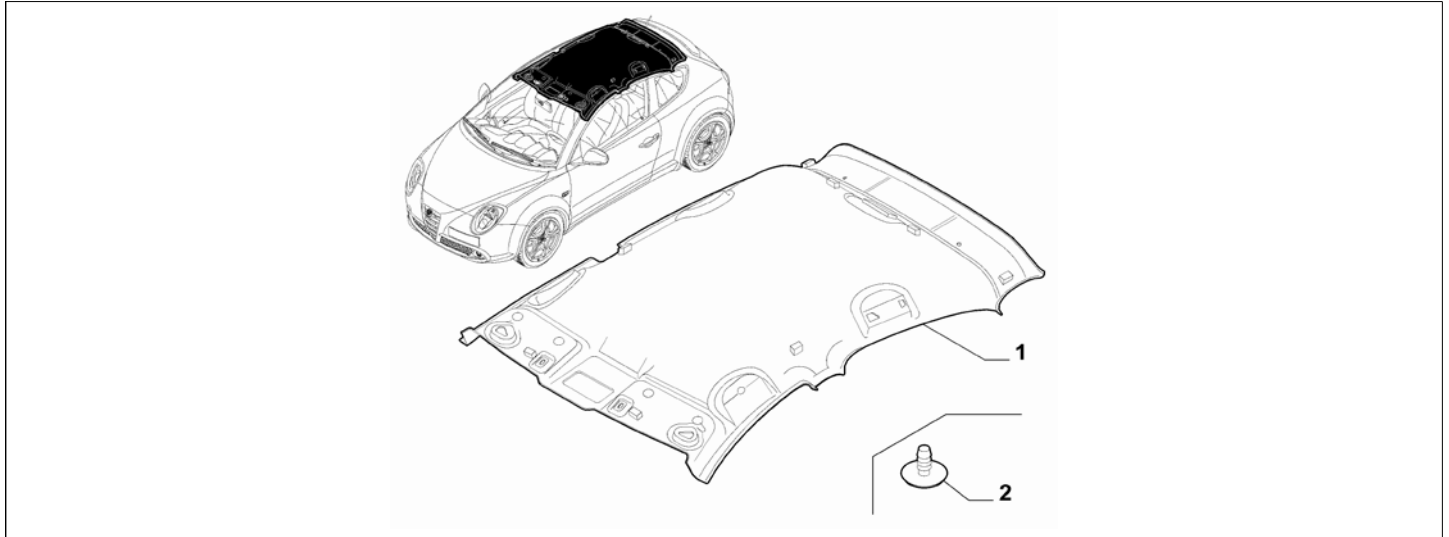


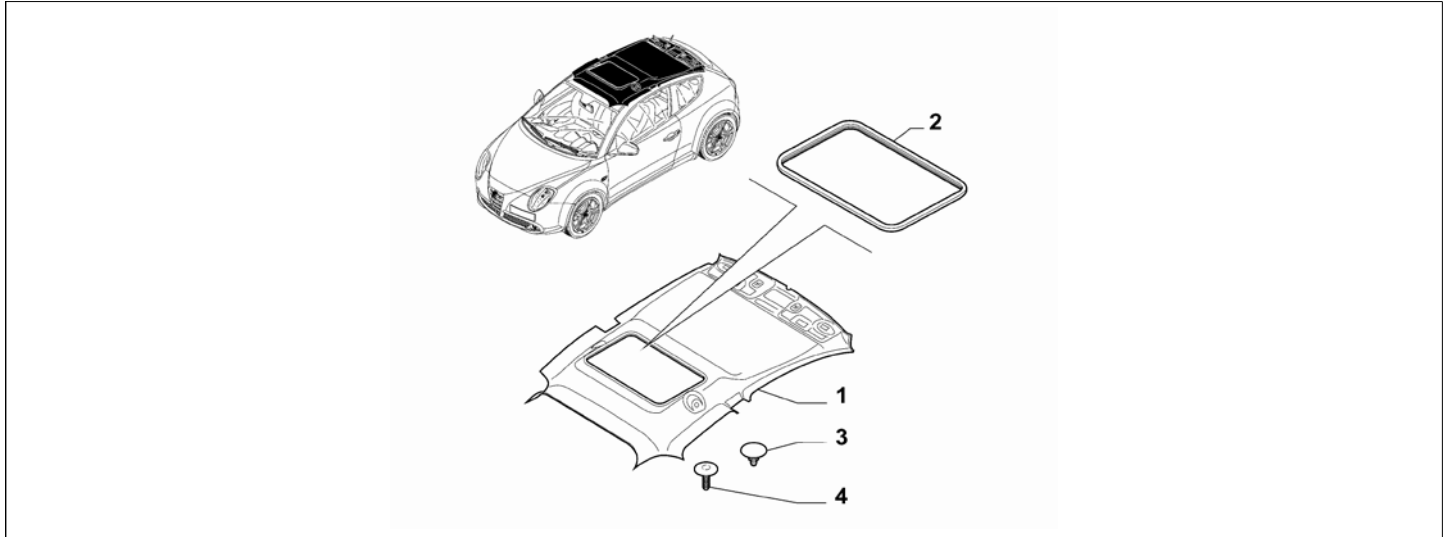
Catalogue	MITO 2013-2018	
Category	22.5 INTERIOR TRIM	
Var.	01	!400
Rev.	00	



Part Num.	Description	Compatibility	Modif.	Qty	Notes	Col.	Reman.
1	156101786	COVERING		1			
1	156101788	COVERING		1			
1	156101789	COVERING		1			
1	156101791	COVERING		1			
1	156101792	COVERING		1			
1	156101792	COVERING		1			
1	156101792	COVERING		1			
1	156101794	COVERING		1			
1	156101794	COVERING		1			
1	156101794	COVERING		1			
2	156087271	BUTTON		2	BEIGE COLOUR		
2	156092055	BUTTON		2	BLACK COLOUR		

Legend	
213	ALARM SYSTEM
400	LONG OPENABLE ELECTRIC SUNROOF
4I3	AESTHETIC KIT 8
5J3	INTERIOR KIT
7WT	UPHOLSTERY EXTRA SERIES 11
LL0	TRIM LEVEL:PROGRESSION - MITO (EX ENERGY - EX BASIC)
LL2	TRIM LEVEL:DISTINCTIVE - SUPER (EX MOVE - EX ELEG.)
LL4	TRIM LEVEL:ESSENTIAL
LL5	TRIM LEVEL:SBK

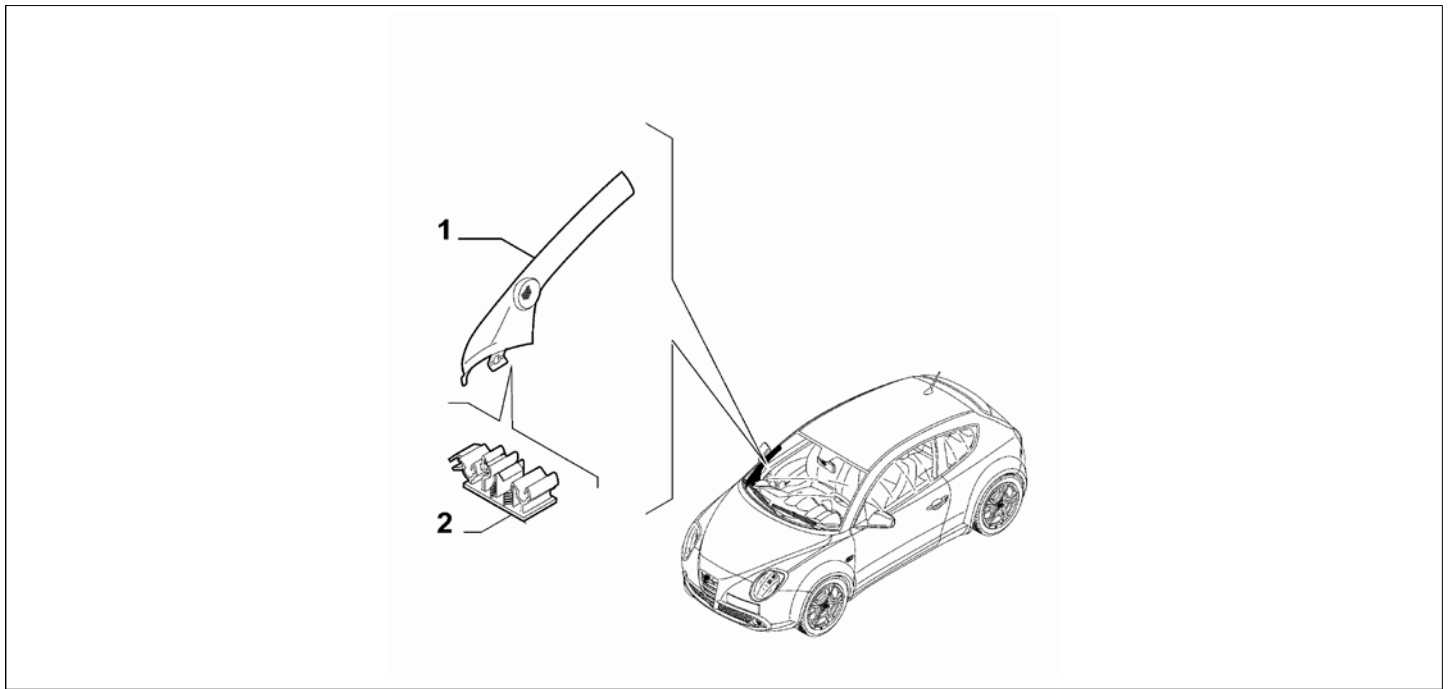
Catalogue	MITO 2013-2018	
Category	22.5 INTERIOR TRIM	
Var.	02	400
Rev.	00	



Part Num.	Description	Compatibility	Modif.	Qty	Notes	Col.	Reman.
1	156101787	COVERING		1			
1	156101790	COVERING		1			
1	156101793	COVERING		1			
1	156101793	COVERING		1			
1	156101793	COVERING		1			
2	156095279	COVERING		1			
2	156095279	COVERING		1			
2	156095279	COVERING		1			
2	156087864	COVERING		1			
3	156087271	BUTTON		2	BEIGE COLOUR		
3	156092055	BUTTON		2	BLACK COLOUR		
3	156087273	BUTTON		2	SLATE GREY COLOUR		
4	735470610	PLUG		1	BEIGE COLOUR		
4	735459581	PLUG		1	BLACK COLOUR		

Legend	
400	LONG OPENABLE ELECTRIC SUNROOF
4I3	AESTHETIC KIT 8
5J3	INTERIOR KIT
7WT	UPHOLSTERY EXTRA SERIES 11
LL0	TRIM LEVEL:PROGRESSION - MITO (EX ENERGY - EX BASIC)
LL2	TRIM LEVEL:DISTINCTIVE - SUPER (EX MOVE - EX ELEG.)
LL4	TRIM LEVEL:ESSENTIAL

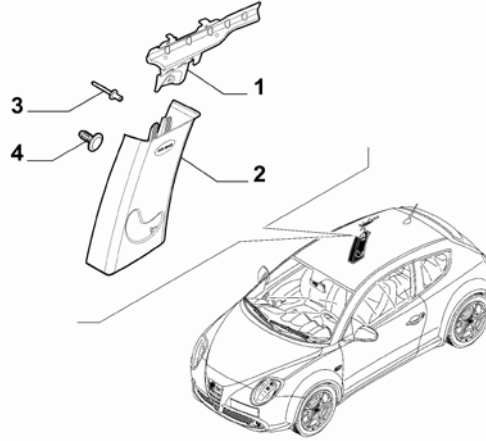
Catalogue	MITO 2013-2018	
Category	22.5 INTERIOR TRIM	
Var.	01	
Rev.	00	



Part Num.	Description	Compatibility	Modif.	Qty	Notes	Col.	Reman.
1	156099531 COVERING, RIGHT	!5J3+!7WT		1			
1	156099529 COVERING, LEFT	!5J3+!7WT		1			
1	156099530 COVERING, LEFT	!5J3+4!3		1			
1	156099530 COVERING, LEFT	!4!3+5J3		1			
1	156099530 COVERING, LEFT	7WT		1			
1	156099532 COVERING, RIGHT	!4!3+5J3		1			
1	156099532 COVERING, RIGHT	!5J3+4!3		1			
1	156099532 COVERING, RIGHT	7WT		1			
2	51805173 CLIP			4			

Legend	
4!3	AESTHETIC KIT 8
5J3	INTERIOR KIT
7WT	UPHOLSTERY EXTRA SERIES 11

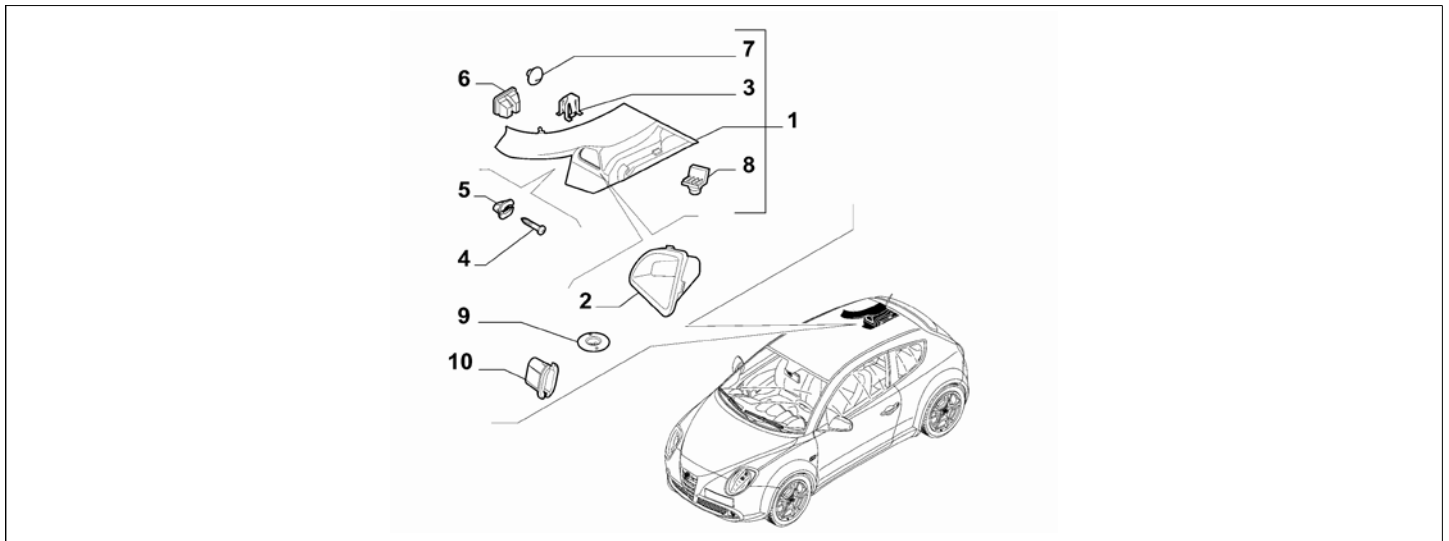
Catalogue	MITO 2013-2018	
Category	22.5 INTERIOR TRIM	
Var.	01	
Rev.	00	



Part Num.	Description	Compatibility	Modif.	Qty	Notes	Col.	Reman.
1	50508480	BRACKET, RIGHT		1			
1	50508481	BRACKET, LEFT		1			
2	156083287	COVERING, RIGHT	I5J3+I7WT	1			
2	156083285	COVERING, LEFT	I5J3+I7WT	1			
2	156092030	COVERING, RIGHT	I4I3+5J3	1			
2	156092030	COVERING, RIGHT	I5J3+4I3	1			
2	156092030	COVERING, RIGHT	7WT	1			
2	156092031	COVERING, LEFT	I4I3+5J3	1			
2	156092031	COVERING, LEFT	I5J3+4I3	1			
2	156092031	COVERING, LEFT	7WT	1			
3	11438491	RIVET		6			
4	71751452	BUTTON		4			

Legend	
4I3	AESTHETIC KIT 8
5J3	INTERIOR KIT
7WT	UPHOLSTERY EXTRA SERIES 11

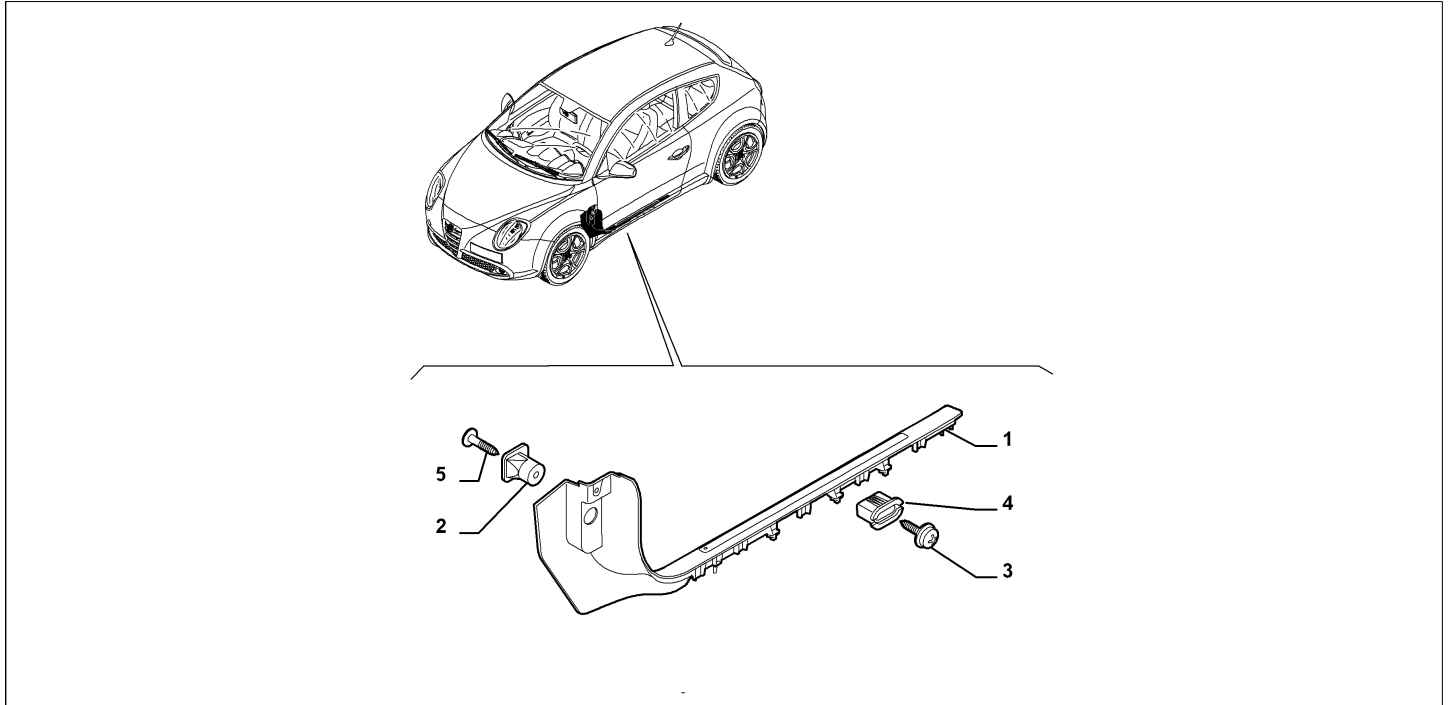
Catalogue	MITO 2013-2018	
Category	22.5 INTERIOR TRIM	
Var.	01	
Rev.	00	



Part Num.	Description	Compatibility	Modif.	Qty	Notes	Col.	Reman.
1	156088317	COVERING, RIGHT	I5J3+17WT		1		
1	156088318	COVERING, LEFT	I5J3+17WT		1		
1	156092026	COVERING, LEFT	I4I3+5J3		1		
1	156092026	COVERING, LEFT	I5J3+4I3		1		
1	156092026	COVERING, LEFT	7WT		1		
1	156092028	COVERING, RIGHT	I4I3+5J3		1		
1	156092028	COVERING, RIGHT	I5J3+4I3		1		
1	156092028	COVERING, RIGHT	7WT		1		
2	735410489	ORNAMENT, RIGHT			1		
2	735410490	ORNAMENT, LEFT			1		
3	50518227	CLIP			8		
4	15691007	SCREW			8		
5	50512933	PAD			2		
6	51782438	PAD			2		
7	735410495	PLUG			2		
7	735410495	PLUG			2		
8	71751451	PAD			2		
9	7799951	BUTTON			4		
10	7754387	PAD			4		

Legend	
4I3	AESTHETIC KIT 8
5J3	INTERIOR KIT
7WT	UPHOLSTERY EXTRA SERIES 11

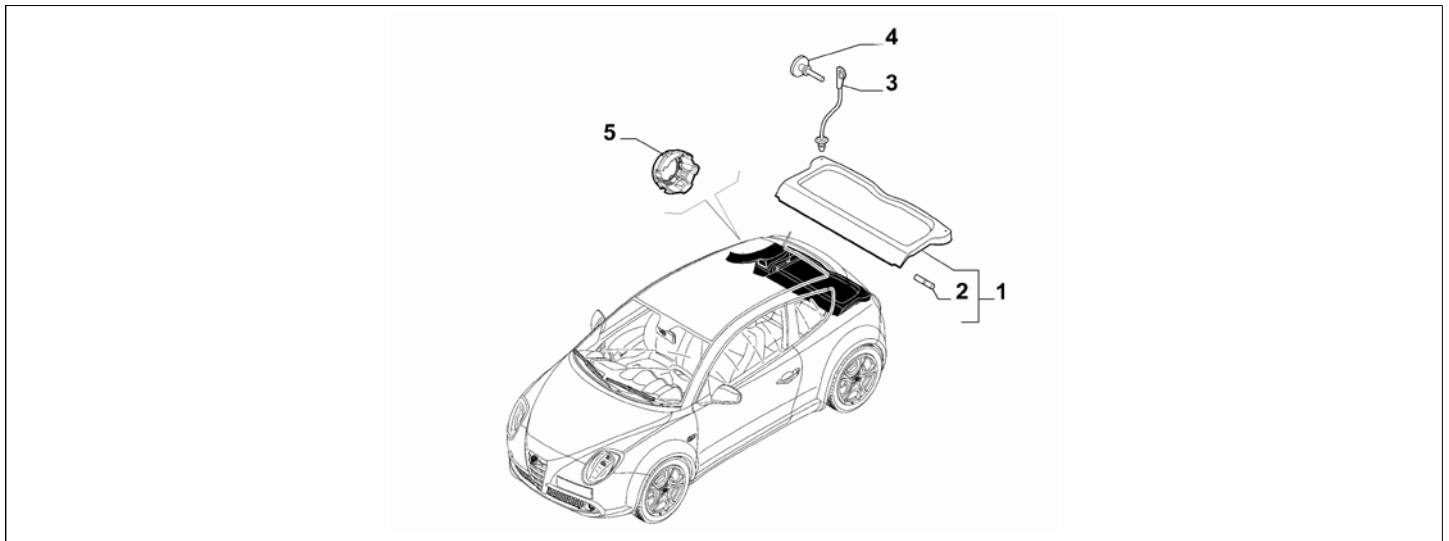
Catalogue	MITO 2013-2018	
Category	22.5 INTERIOR TRIM	
Var.	01	
Rev.	00	



Part Num.	Description	Compatibility	Modif.	Qty	Notes	Col.	Reman.
1	156083075	DOORSILL MOULDING, LEFT		1			
1	156083073	DOORSILL MOULDING, RIGHT		1			
1	156101698	DOORSILL MOULDING, LEFT		1			
1	156101698	DOORSILL MOULDING, LEFT		1			
1	156101698	DOORSILL MOULDING, LEFT		1			
1	156101699	DOORSILL MOULDING, RIGHT		1			
1	156101699	DOORSILL MOULDING, RIGHT		1			
1	156101699	DOORSILL MOULDING, RIGHT		1			
1	156083076	DOORSILL MOULDING, LEFT		1			
1	156083076	DOORSILL MOULDING, LEFT		1			
1	156083074	DOORSILL MOULDING, RIGHT		1			
1	156083074	DOORSILL MOULDING, RIGHT		1			
1	156083074	DOORSILL MOULDING, RIGHT		1			
2	51777226	PAD		2			
3	16083707	SCREW		2			
4	7754387	PAD		2			
5	15691007	SCREW		2			

Legend	
018	KICK PLATE
4I3	AESTHETIC KIT 8
4KX	SPORTIVE KIT 4
5RA	SPECIFIC ABBREVIATION
7KQ	SPECIFIC BADGE 5
LL0	TRIM LEVEL:PROGRESSION - MITO (EX ENERGY - EX BASIC)
LL1	TRIM LEVEL:VELOCE - QUADRIFOGLIO VERDE
LL2	TRIM LEVEL:DISTINCTIVE - SUPER (EX MOVE - EX ELEG.)
LL4	TRIM LEVEL:ESSENTIAL
LL5	TRIM LEVEL:SBK

Catalogue	MITO 2013-2018	
Category	22.5 INTERIOR TRIM	
Var.	01	
Rev.	00	



Part Num.	Description	Compatibility	Modif.	Qty	Notes	Col.	Reman.
1	156085449 HAT BOARD			1			
2	71741339 SEAL GASKET			1			
3	71751449 ROD			1			
4	7670683 PIN			1			
5	50522107 ORNAMENT	718		2			

Legend	
718	HI-FI AUDIO SYSTEM