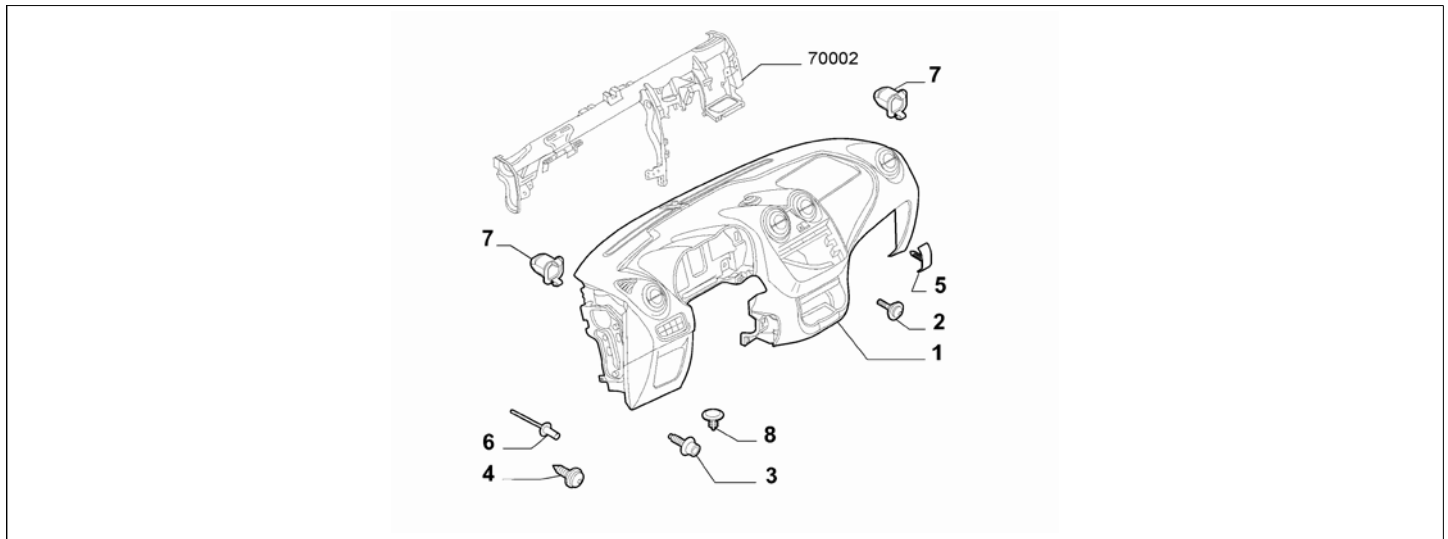


Catalogue	MITO 2013-2018	
Category	22.1 INSTRUMENT PANEL	
Var.	01	LHD
Rev.	00	



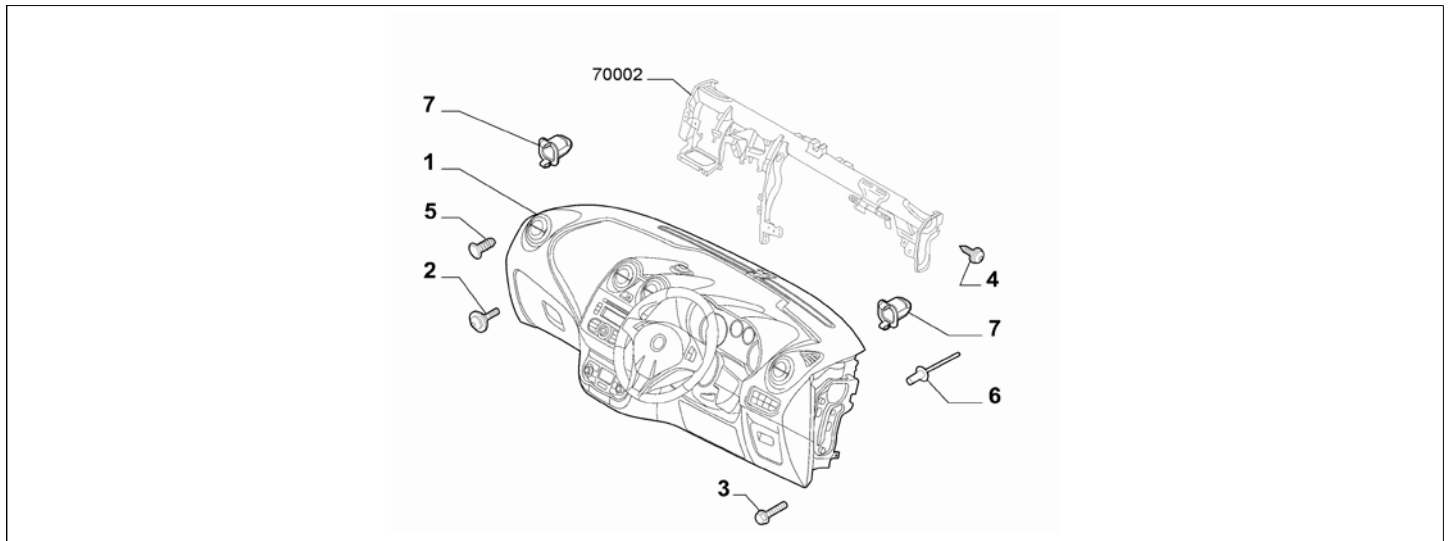
	Part Num.	Description	Compatibility	Modif.	Qty	Notes	Col.	Reman.
1	A	156085661	INSTRUMENT PANEL	(LL0, LL2)+6BG+(082, 08Y, 6SK)		1		PLALM-808
1	A	156085661	INSTRUMENT PANEL	4HV+(LL0, LL2, LL4+MYNO)		1		PLALM-808
1	A	156085661	INSTRUMENT PANEL	4N5		1		PLALM-808
1	A	156085661	INSTRUMENT PANEL	4TF		1		PLALM-808
1	A	156085661	INSTRUMENT PANEL	LL1+(08Y, 6SK)		1		PLALM-808
1	A	156085661	INSTRUMENT PANEL	LL1+MYNO		1		PLALM-808
1	A	156102457	INSTRUMENT PANEL	(LL0, LL2)+I6Q2+I6Q3+I6Q5+I6Q8+I6SK+6Q9+MY16		1		
1	A	156102457	INSTRUMENT PANEL	(LL0, LL2)+I6Q2+I6Q3+I6Q5+I6Q9+I6SK+6Q8+MY16		1		
1	A	156102457	INSTRUMENT PANEL	(LL0, LL2)+I6Q2+I6Q5+I6Q8+I6Q9+I6SK+6Q3+MY16		1		
1	A	156102457	INSTRUMENT PANEL	(LL0, LL2)+I6Q3+I6Q5+I6Q8+I6Q9+I6SK+6Q2+MY16		1		
1	A	156102457	INSTRUMENT PANEL	I082+I180+I41A+I6Q3+I6Q8+I6Q9+(LL0, I4HV+I4N5+I4TF+6Q2+I6Q5+I727+LHD+LL4+MYNO)		1		PLALM-808
1	A	156102457	INSTRUMENT PANEL	(LL0, LL2)+I082+I08Y+I6BG+I6SK		1		PLALM-808
1	A	156102457	INSTRUMENT PANEL	(LL0, LL4)+I082+I180+I41A+I4HV+I4N5+I4TF+I6Q3+I6Q5+I6Q8+I6Q9+I727+6Q2+MYNO		1		PLALM-808
1	A	156102457	INSTRUMENT PANEL	7WT+LL2+MYNO		1		PLALM-808
1	A	156102457	INSTRUMENT PANEL	LL0+I4HV+MYNO		1		PLALM-808
1	A	156102457	INSTRUMENT PANEL	LL2+52J+MYNO		1		PLALM-808
1	A	156102457	INSTRUMENT PANEL	LL2+7WT+MYNO		1		PLALM-808
1	A	156103095	INSTRUMENT PANEL	LL2+I4HV+I4N5+I4TF+I52J+MYNO		1		PLALM-690
1	A	156103099	INSTRUMENT PANEL	LL2+I4HV+I4N5+I4TF+I52J+MYNO		1		PLALM-111
1	A	156105518	INSTRUMENT PANEL	I6Q2+I6Q3+I6Q5+I6Q8+I6Q9+I6SK+LL0+MY16		1		
1	A	156105518	INSTRUMENT PANEL	(LL0, LL2)+I6Q2+I6Q3+I6Q5+I6Q8+I6Q9+6SK+MY16		1		
1	A	156105518	INSTRUMENT PANEL	I180+I4HV+I4N5+I4TF+I6Q2+I6Q3+I6Q5+I6Q8+I6Q9+I727+41A+52J+LL2+MYNO		1		PLALM-808
1	A	156105518	INSTRUMENT PANEL	(LL0, LL2)+I6BG+(082, 08Y, 6SK)		1		PLALM-808
1	A	156105518	INSTRUMENT PANEL	(LL0, LL4)+I082+I180+I4HV+I4N5+I4TF+I6Q2+I6Q3+I6Q5+I6Q8+I6Q9+I727+41A+MYNO		1		PLALM-808
1	A	156105518	INSTRUMENT PANEL	(LL0, LL4)+I180+I41A+I4HV+I4N5+I4TF+I6Q2+I6Q3+I6Q5+I6Q8+I6Q9+I6SK+I727+082+MYNO		1		PLALM-808
1	A	156105522	INSTRUMENT PANEL	I212+I4MZ+6BG+88R+LL2+MY16		1		
1	A	156105522	INSTRUMENT PANEL	I212+I88R+4MZ+6BG+LL2+MY16		1		
1	A	156105522	INSTRUMENT PANEL	I4MZ+I88R+212+6BG+LL2+MY16		1		
1	A	156105522	INSTRUMENT PANEL	LL1+MY16		1		
1	A	156105522	INSTRUMENT PANEL	(LL0, LL2)+6BG+I082+I08Y+I6SK		1		PLALM-808
1	A	156105522	INSTRUMENT PANEL	(LL0, LL2, LL4)+I082+I41A+I4HV+I4N5+I4TF+I6Q3+I6Q5+I6Q8+I6Q9+I727+180+6Q2+MYNO		1		PLALM-808
1	A	156105522	INSTRUMENT PANEL	(LL1, LL5)+I082+I180+I41A+I6Q3+I6Q5+I6Q8+I6Q9+I727+6Q2+MYNO		1		PLALM-808

A

1	A	156105522	INSTRUMENT PANEL	LL1+108Y+16SK		1		PLALM-808	
2		51866681	SCREW			8			
3		46755828	SCREW, M6X22			2			
4		46558583	SCREW			2			
5		735290437	BUTTON			2			
6		14644990	RIVET, 6,4X12,8			9			
7		50527291	BOOT			2			
8		735493588	BUTTON			1			

Legend	
082	RADIO SET-UP
08Y	RADIO ALPINE 7"
180	SPORTS SEATS
212	EXTRA SERIES 2 LEATHER UPHOLSTERY
41A	CD RADIO WITH MP3 PLAYER
4HV	UPHOLSTERY EXTRA SERIES 5
4MZ	UPHOLSTERING EXTRA SERIES 6
4N5	UPHOLSTERING EXTRA SERIES 7
4TF	UPHOLSTERING EXTRA SERIES 8
52J	UPHOLSTERING EXTRA SERIES 4
6BG	EXTRA SERIES 2 DASHBOARD
6Q2	VP2 - RADIO 5" TOUCHSCREEN WITH BLUETOOTH (WITHOUT DAB)
6Q3	VP2 - RADIO 5" TOUCHSCREEN WITH BLUETOOTH AND DAB
6Q5	VP2 - RADIO 5" TOUCHSCREEN WITH BLUETOOTH FOR JAPAN MARKET
6Q8	VP2 - RADIO 5" TOUCHSCREEN WITH BLUETOOTH AND NAV (WITHOUT DAB)
6Q9	VP2 - RADIO 5" TOUCHSCREEN WITH BLUETOOTH WITH NAV AND DAB
6SK	RADIO SETUP 2
727	UPHOLSTERING EXTRA SERIES 3
7WT	UPHOLSTERY EXTRA SERIES 11
88R	EXTRA SERIES SEATS 2
LHD	STEERING:LEFT
LL0	TRIM LEVEL:PROGRESSION - MITO (EX ENERGY - EX BASIC)
LL1	TRIM LEVEL:VELOCE - QUADRIFOGLIO VERDE
LL2	TRIM LEVEL:DISTINCTIVE - SUPER (EX MOVE - EX ELEG.)
LL4	TRIM LEVEL:ESSENTIAL
LL5	TRIM LEVEL:SBK
MY16	MODEL YEAR:MCA 2016
MYNO	MODEL YEAR:MISSING
PLALM-111	SHADED RED DASHBOARD
PLALM-690	SHADED TITANIUM DASHBOARD
PLALM-808	BLACK DASHBOARD

Catalogue	MITO 2013-2018	
Category	22.1 INSTRUMENT PANEL	
Var.	02	RHD
Rev.	00	

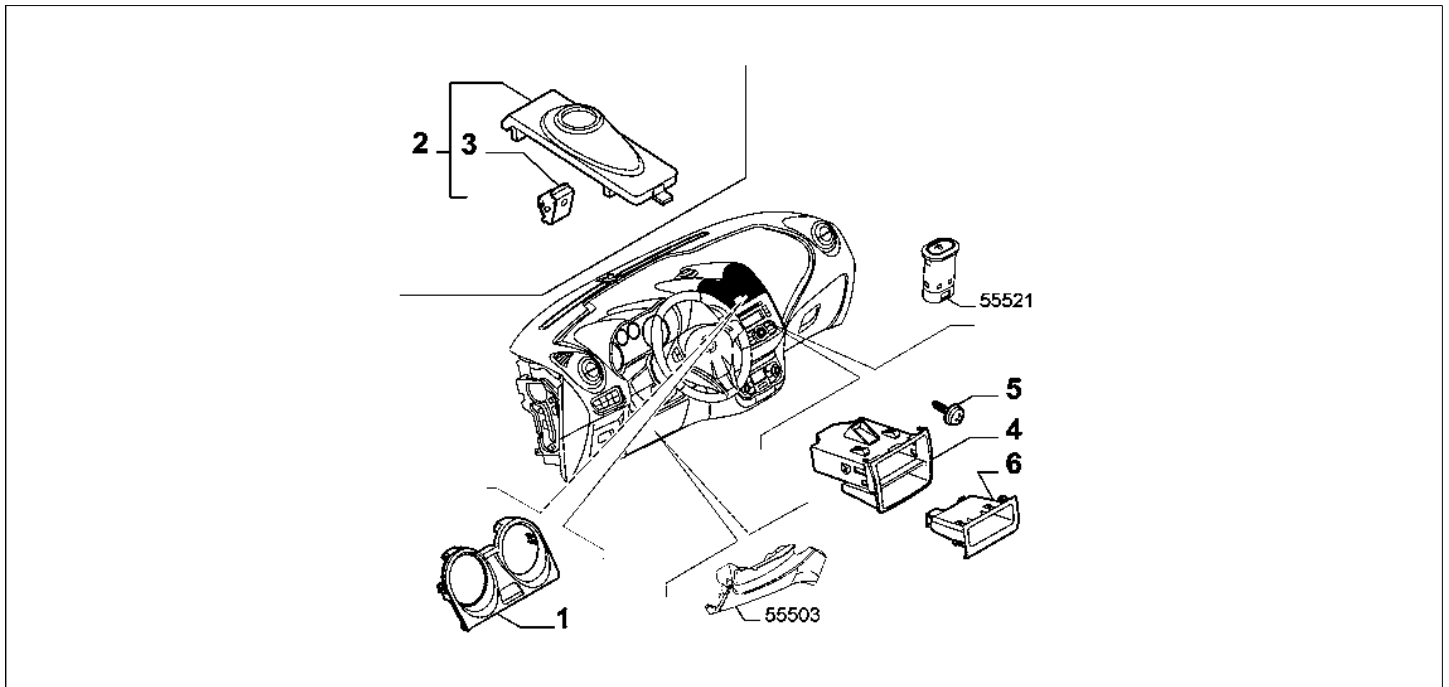


Part Num.	Description	Compatibility	Modif.	Qty	Notes	Col.	Reman.
1	156085658	INSTRUMENT PANEL	(LL1, LL5)+I082+I180+I41A+I6Q2+I6Q3+I6Q5+I6Q8+I6Q9+I727+6SK		1	PLALM-808	
1	156085658	INSTRUMENT PANEL	(LL0, LL2, LL4)+I180+I41A+I6Q2+I6Q3+I6Q5+I6Q8+I6Q9+I6SK+I727+082+4HV+MYNO		1	PLALM-808	
1	156085658	INSTRUMENT PANEL	(LL0, LL2, LL4)+I082+I180+I6Q2+I6Q3+I6Q5+I6Q8+I6Q9+I727+41A+4HV+MYNO		1	PLALM-808	
1	156085658	INSTRUMENT PANEL	(LL0, LL2, LL4)+I082+I180+I6Q2+I6Q3+I6Q5+I6Q8+I6Q9+I727+41A+4N5+MYNO		1	PLALM-808	
1	156085658	INSTRUMENT PANEL	(LL0, LL2, LL4)+I082+I180+I6Q2+I6Q3+I6Q5+I6Q8+I6Q9+I727+41A+4TF+MYNO		1	PLALM-808	
1	156085658	INSTRUMENT PANEL	(LL0, LL2, LL4)+I082+I4HV+I4N5+I4TF+I6Q2+I6Q3+I6Q5+I6Q8+I6Q9+I727+180+41A+MYNO		1	PLALM-808	
1	156085658	INSTRUMENT PANEL	(LL0, LL2, LL4)+I082+I180+I4HV+I4N5+I4TF+I6Q2+I6Q3+I6Q5+I6Q8+I6Q9+41A+727+MYNO		1	PLALM-808	
1	156085658	INSTRUMENT PANEL	(LL0, LL2, LL4)+I082+I180+I41A+I6Q2+I6Q3+I6Q8+I6Q9+I727+4HV+6SK+MYNO		1	PLALM-808	
1	156085658	INSTRUMENT PANEL	(LL0, LL2, LL4)+I082+I180+I41A+I6Q2+I6Q3+I6Q8+I6Q9+I727+4N5+6SK+MYNO		1	PLALM-808	
1	156085658	INSTRUMENT PANEL	(LL0, LL2, LL4)+I082+I180+I41A+I6Q2+I6Q3+I6Q8+I6Q9+I727+4TF+6SK+MYNO		1	PLALM-808	
1	156085658	INSTRUMENT PANEL	(LL0, LL2, LL4)+I082+I180+I41A+I4HV+I4N5+I4TF+I6Q2+I6Q3+I6Q5+I6Q8+I6Q9+I727+6SK+MYNO		1	PLALM-808	
1	156085658	INSTRUMENT PANEL	(LL0, LL2, LL4)+I180+I41A+I4HV+I4N5+I4TF+I6Q2+I6Q3+I6Q5+I6Q8+I6Q9+I6SK+I727+082+5ED+MYNO		1	PLALM-808	
1	156085658	INSTRUMENT PANEL	(LL0, LL2, LL4)+I082+I180+I4HV+I4N5+I4TF+I6Q2+I6Q3+I6Q5+I6Q8+I6Q9+I6SK+I727+41A+5ED+MYNO		1	PLALM-808	
1	156085658	INSTRUMENT PANEL	(LL0, LL2, LL4)+I082+I180+I41A+I4HV+I4N5+I4TF+I6Q2+I6Q3+I6Q5+I6Q8+I6Q9+I727+5ED+6SK+MYNO		1	PLALM-808	
1	156085658	INSTRUMENT PANEL	I6Q2+I6Q3+I6Q5+I6Q8+I6Q9+I6SK+LL0+MY16		1	PLALM-808	
1	156085658	INSTRUMENT PANEL	LL1+(08Y, 6SK)		1	PLALM-808	
1	156085658	INSTRUMENT PANEL	(LL1, LL2)+6BG+(082, 08Y, 6SK)		1	PLALM-808	
1	156103431	INSTRUMENT PANEL	I180+I41A+I4HV+I4N5+I4TF+I52J+I5ED+I6Q3+I6Q5+I6Q8+I6Q9+I727+6Q2+LL2+MYNO		1	PLALM-690	
1	156103435	INSTRUMENT PANEL	I180+I41A+I4HV+I4N5+I4TF+I52J+I5ED+I6Q3+I6Q5+I6Q8+I6Q9+I727+6Q2+LL2+MYNO		1	PLALM-111	
1	156103439	INSTRUMENT PANEL	(LL0, LL4)+I082+I180+I41A+I4HV+I4N5+I4TF+I6Q3+I6Q5+I6Q8+I6Q9+I727+6Q2		1	PLALM-808	
1	156103439	INSTRUMENT PANEL	7WT+LL2+MYNO		1	PLALM-808	
1	156103439	INSTRUMENT PANEL	(LL0, LL2)+I6Q3+I6Q5+I6Q8+I6Q9+I6SK+6Q2+MY16		1	PLALM-808	
1	156103439	INSTRUMENT PANEL	(LL0, LL2)+I6Q2+I6Q5+I6Q8+I6Q9+I6SK+6Q3+MY16		1	PLALM-808	
1	156103439	INSTRUMENT PANEL	(LL0, LL2)+I6Q2+I6Q3+I6Q5+I6Q9+I6SK+6Q8+MY16		1	PLALM-808	
1	156103439	INSTRUMENT PANEL	(LL0, LL2)+I6Q2+I6Q3+I6Q5+I6Q8+I6SK+6Q9+MY16		1	PLALM-808	
1	156103439	INSTRUMENT PANEL	(LL0, LL2)+I082+I08Y+I6BG+I6SK		1	PLALM-808	
1	156105549	INSTRUMENT PANEL	(LL0, LL4)+I180+I41A+I4HV+I4N5+I4TF+I6Q2+I6Q3+I6Q5+I6Q8+I6Q9+I6SK+I727+082+MYNO		1	PLALM-808	
1	156105549	INSTRUMENT PANEL	(LL0, LL4)+I082+I180+I4HV+I4N5+I4TF+I6Q2+I6Q3+I6Q5+I6Q8+I6Q9+I727+41A+MYNO		1	PLALM-808	

1	156105549	INSTRUMENT PANEL	!180+14HV+14N5+14TF+16Q2+16Q3+16Q5+16Q8+16Q9+1727+41A+52J+LL2+MYNO	1		PLALM-808
1	156105549	INSTRUMENT PANEL	(LL0, LL4)+1082+1180+141A+14HV+14N5+14TF+15ED+16Q2+16Q3+16Q5+16Q8+16Q9+1727+6SK+MYNO	1		PLALM-808
1	156105549	INSTRUMENT PANEL	(LL0, LL2)+16Q2+16Q3+16Q5+16Q8+16Q9+6SK+MY16	1		PLALM-808
1	156105549	INSTRUMENT PANEL	(LL0, LL2)+16BG+(082, 08Y, 6SK)	1		PLALM-808
1	156105554	INSTRUMENT PANEL	!212+14MZ+6BG+88R+LL2+MY16	1		PLALM-808
1	156105554	INSTRUMENT PANEL	!4MZ+!88R+212+6BG+LL2+MY16	1		PLALM-808
1	156105554	INSTRUMENT PANEL	!212+!88R+4MZ+6BG+LL2+MY16	1		PLALM-808
1	156105554	INSTRUMENT PANEL	LL1+MY16	1		PLALM-808
1	156105554	INSTRUMENT PANEL	LL1+108Y+16SK	1		PLALM-808
1	156105554	INSTRUMENT PANEL	(LL1, LL2)+1082+108Y+16SK+6BG	1		PLALM-808
1	156105545	INSTRUMENT PANEL	!180+14HV+14N5+14TF+152J+15ED+16Q2+16Q3+16Q5+16Q8+16Q9+1727+41A+LL2+MYNO	1		PLALM-111
1	156105514	INSTRUMENT PANEL	!180+14HV+14N5+14TF+152J+15ED+16Q2+16Q3+16Q5+16Q8+16Q9+1727+41A+LL2+MYNO	1		PLALM-690
2	51866681	SCREW		8		
3	46755828	SCREW, M6X22		2		
4	46558583	SCREW		2		
5	14591887	BUTTON		2		
6	14644990	RIVET, 6,4X12,8		9		
7	50527291	BOOT		2		

Legend	
082	RADIO SET-UP
08Y	RADIO ALPINE 7"
180	SPORTS SEATS
212	EXTRA SERIES 2 LEATHER UPHOLSTERY
41A	CD RADIO WITH MP3 PLAYER
4HV	UPHOLSTERY EXTRA SERIES 5
4MZ	UPHOLSTERING EXTRA SERIES 6
4N5	UPHOLSTERING EXTRA SERIES 7
4TF	UPHOLSTERING EXTRA SERIES 8
52J	UPHOLSTERING EXTRA SERIES 4
5ED	UPHOLSTERING EXTRA SERIES 9
6BG	EXTRA SERIES 2 DASHBOARD
6Q2	VP2 - RADIO 5" TOUCHSCREEN WITH BLUETOOTH (WITHOUT DAB)
6Q3	VP2 - RADIO 5" TOUCHSCREEN WITH BLUETOOTH AND DAB
6Q5	VP2 - RADIO 5" TOUCHSCREEN WITH BLUETOOTH FOR JAPAN MARKET
6Q8	VP2 - RADIO 5" TOUCHSCREEN WITH BLUETOOTH AND NAV (WITHOUT DAB)
6Q9	VP2 - RADIO 5" TOUCHSCREEN WITH BLUETOOTH WITH NAV AND DAB
6SK	RADIO SETUP 2
727	UPHOLSTERING EXTRA SERIES 3
7WT	UPHOLSTERY EXTRA SERIES 11
88R	EXTRA SERIES SEATS 2
RHD	STEERING:RIGHT
LL0	TRIM LEVEL:PROGRESSION - MITO (EX ENERGY - EX BASIC)
LL1	TRIM LEVEL:VELOCE - QUADRIFOGLIO VERDE
LL2	TRIM LEVEL:DISTINCTIVE - SUPER (EX MOVE - EX ELEG.)
LL4	TRIM LEVEL:ESSENTIAL
LL5	TRIM LEVEL:SBK
MY16	MODEL YEAR:MCA 2016
MYNO	MODEL YEAR:MISSING
PLALM-111	SHADED RED DASHBOARD
PLALM-690	SHADED TITANIUM DASHBOARD
PLALM-808	BLACK DASHBOARD

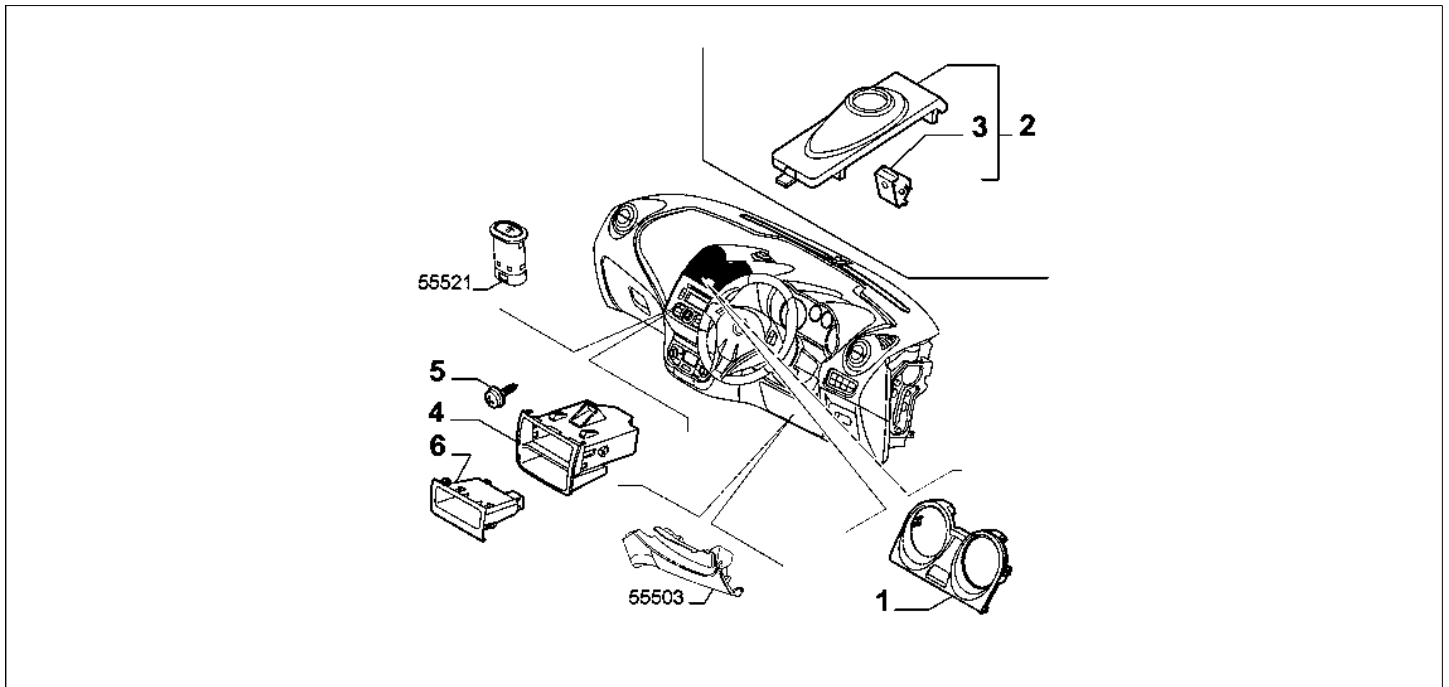
Catalogue	MITO 2013-2018	
Category	22.1 INSTRUMENT PANEL	
Var.	01	LHD
Rev.	00	



Part Num.	Description	Compatibility	Modif.	Qty	Notes	Col.	Reman.
1	156097743	ORNAMENT		1			
1	156097743	ORNAMENT	!082+!41A+!6Q2+!6Q3+!6Q8+!6Q9	1			
1	156097743	ORNAMENT	082+!41A+!6Q2+!6Q3+!6Q8+!6Q9+!6SK+!08Y	1			
1	156097743	ORNAMENT	!41A+!6Q2+!6Q3+!6Q5+!6Q8+!6Q9+!6SK	1			
1	156103308	ORNAMENT	08Y	1			
1	156103308	ORNAMENT	!082+!41A+!6Q2+!6Q3+!6Q8+!6Q9	1			
2	156083522	ORNAMENT		1			
3	50511777	CLIP		2			
4	156099975	ORNAMENT	!41A+!6Q2+!6Q3+!6Q5+!6Q8+!6Q9+!6SK	1			
4	156099975	ORNAMENT	!41A+!6Q5+!6SK	1			
5	46558583	SCREW		3			
6	156097749	ORNAMENT	!41A+!6Q2+!6Q3+!6Q5+!6Q8+!6Q9+!6SK	1			
6	156097749	ORNAMENT	!41A+!6Q5+!6SK	1			

Legend	
082	RADIO SET-UP
08Y	RADIO ALPINE 7"
41A	CD RADIO WITH MP3 PLAYER
6Q2	VP2 - RADIO 5" TOUCHSCREEN WITH BLUETOOTH (WITHOUT DAB)
6Q3	VP2 - RADIO 5" TOUCHSCREEN WITH BLUETOOTH AND DAB
6Q5	VP2 - RADIO 5" TOUCHSCREEN WITH BLUETOOTH FOR JAPAN MARKET
6Q8	VP2 - RADIO 5" TOUCHSCREEN WITH BLUETOOTH AND NAV (WITHOUT DAB)
6Q9	VP2 - RADIO 5" TOUCHSCREEN WITH BLUETOOTH WITH NAV AND DAB
6SK	RADIO SETUP 2
LHD	STEERING:LEFT

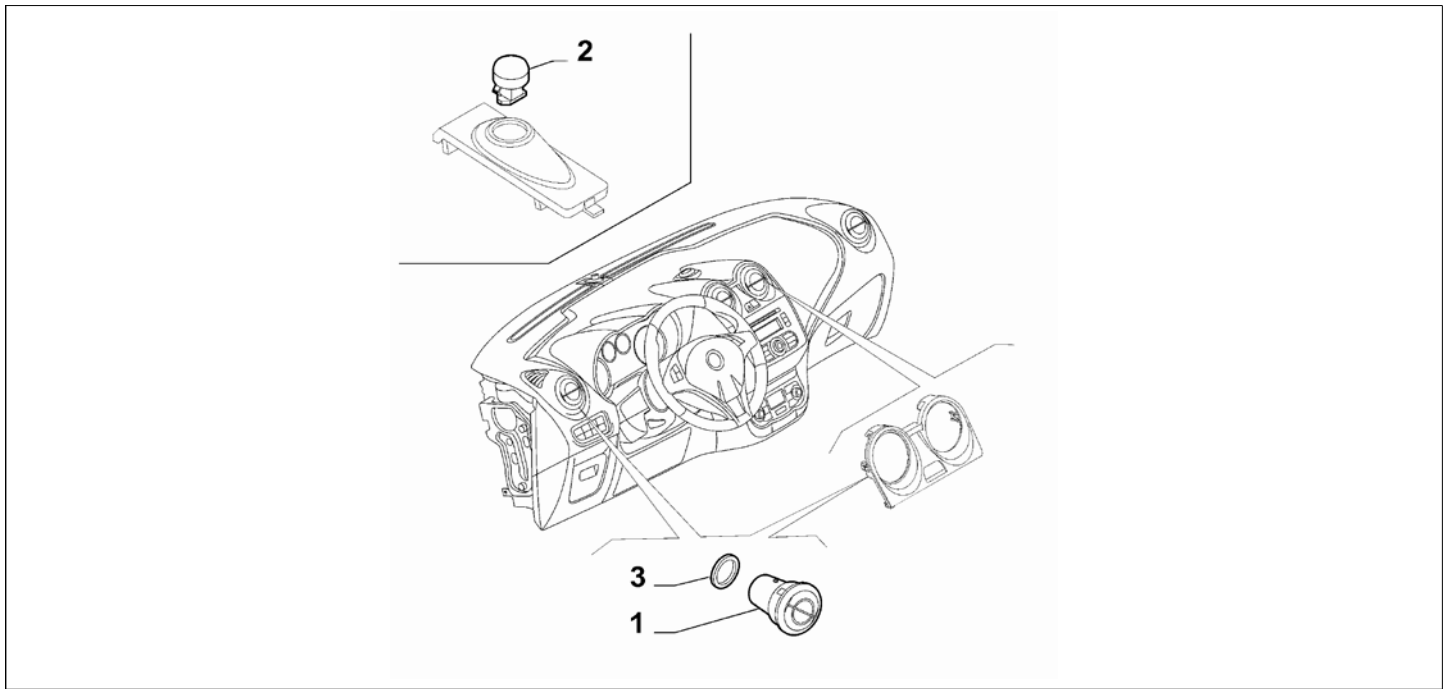
Catalogue	MITO 2013-2018	
Category	22.1 INSTRUMENT PANEL	
Var.	02	RHD
Rev.	00	



Part Num.	Description	Compatibility	Modif.	Qty	Notes	Col.	Reman.
1	156097743	ORNAMENT		1			
1	156097743	ORNAMENT		1			
1	156097743	ORNAMENT		1			
1	156103308	ORNAMENT		1			
2	156083522	ORNAMENT		1			
3	50511777	CLIP		2			
4	156099975	ORNAMENT		1			
4	156099975	ORNAMENT		1			
5	46558583	SCREW		3			
6	156097749	ORNAMENT		1			
6	156097749	ORNAMENT		1			

Legend	
082	RADIO SET-UP
41A	CD RADIO WITH MP3 PLAYER
6Q2	VP2 - RADIO 5" TOUCHSCREEN WITH BLUETOOTH (WITHOUT DAB)
6Q3	VP2 - RADIO 5" TOUCHSCREEN WITH BLUETOOTH AND DAB
6Q5	VP2 - RADIO 5" TOUCHSCREEN WITH BLUETOOTH FOR JAPAN MARKET
6Q8	VP2 - RADIO 5" TOUCHSCREEN WITH BLUETOOTH AND NAV (WITHOUT DAB)
6Q9	VP2 - RADIO 5" TOUCHSCREEN WITH BLUETOOTH WITH NAV AND DAB
6SK	RADIO SETUP 2
RHD	STEERING:RIGHT

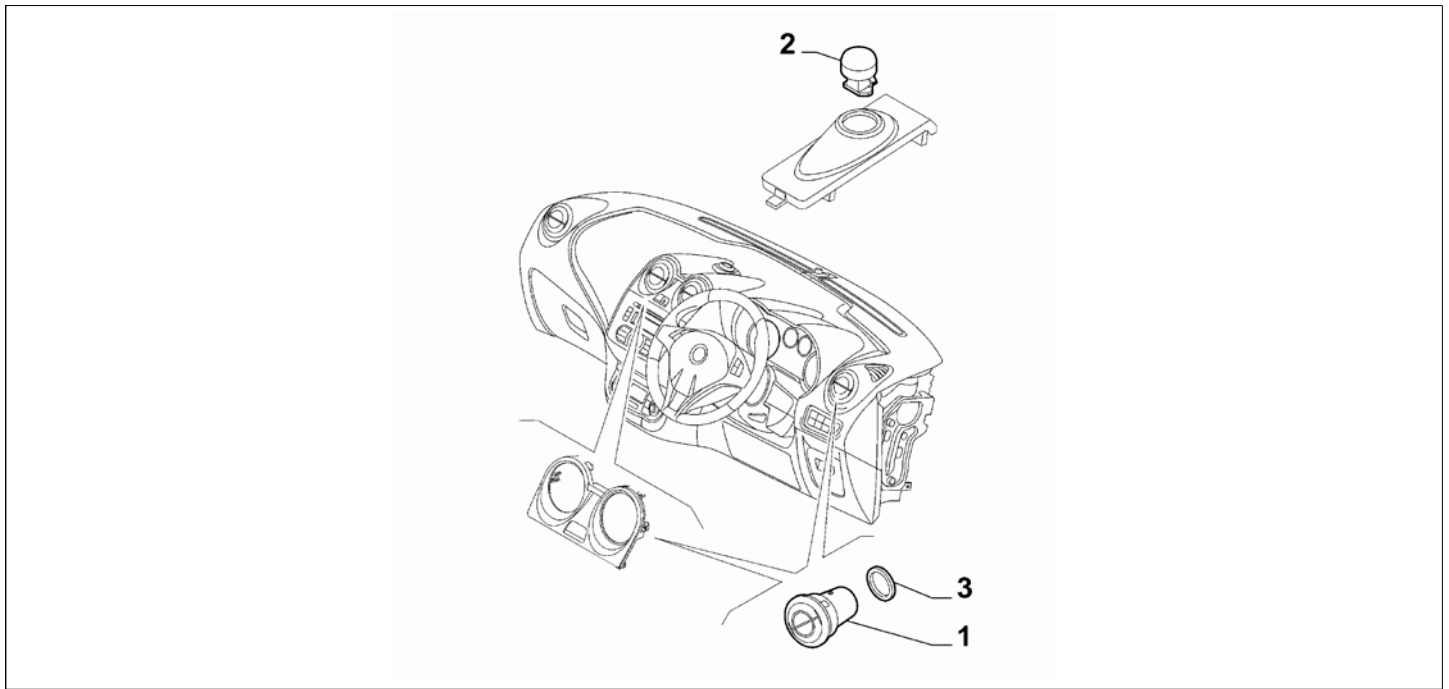
Catalogue	MITO 2013-2018	
Category	22.1 INSTRUMENT PANEL	
Var.	01	LHD
Rev.	00	



Part Num.	Description	Compatibility	Modif.	Qty	Notes	Col.	Reman.
1	156088245 DIFFUSER			2			
2	735407581 PLUG	!140		1			
3	50511712 SEAL GASKET			4			

Legend	
140	CLIMATE CONTROL 2
LHD	STEERING:LEFT

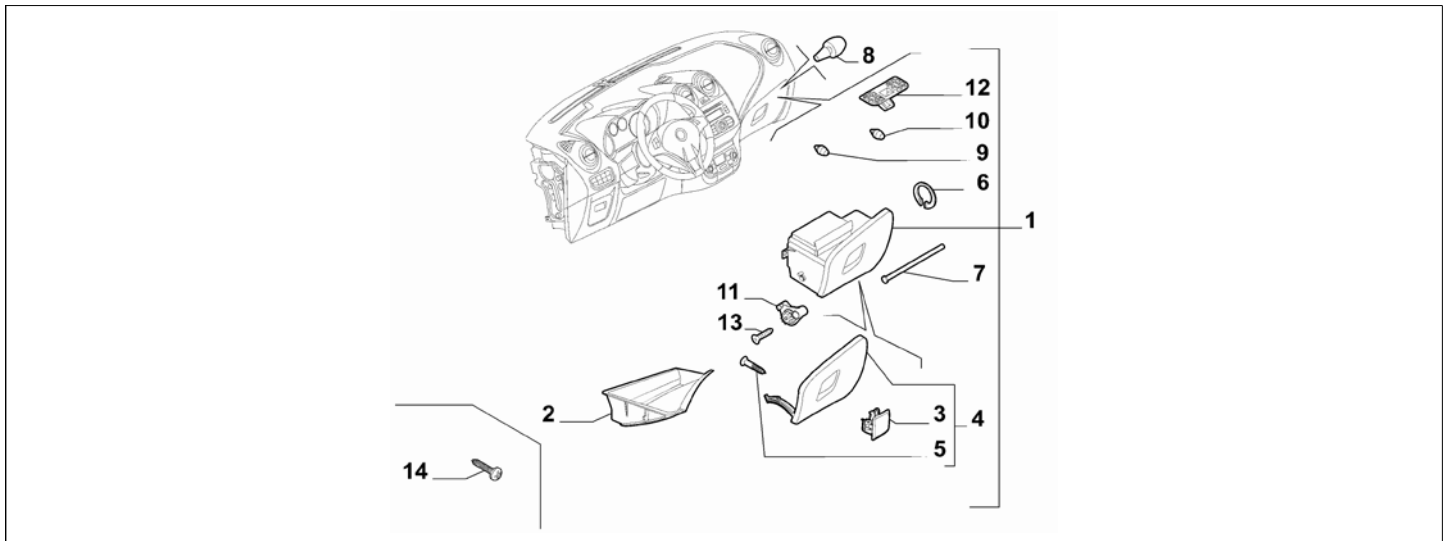
Catalogue	MITO 2013-2018	
Category	22.1 INSTRUMENT PANEL	
Var.	02	RHD
Rev.	00	



Part Num.	Description	Compatibility	Modif.	Qty	Notes	Col.	Reman.
1	156088245 DIFFUSER			4			
2	735407581 PLUG	!140		1			
3	50511712 SEAL GASKET			4			

Legend	
140	CLIMATE CONTROL 2
RHD	STEERING:RIGHT

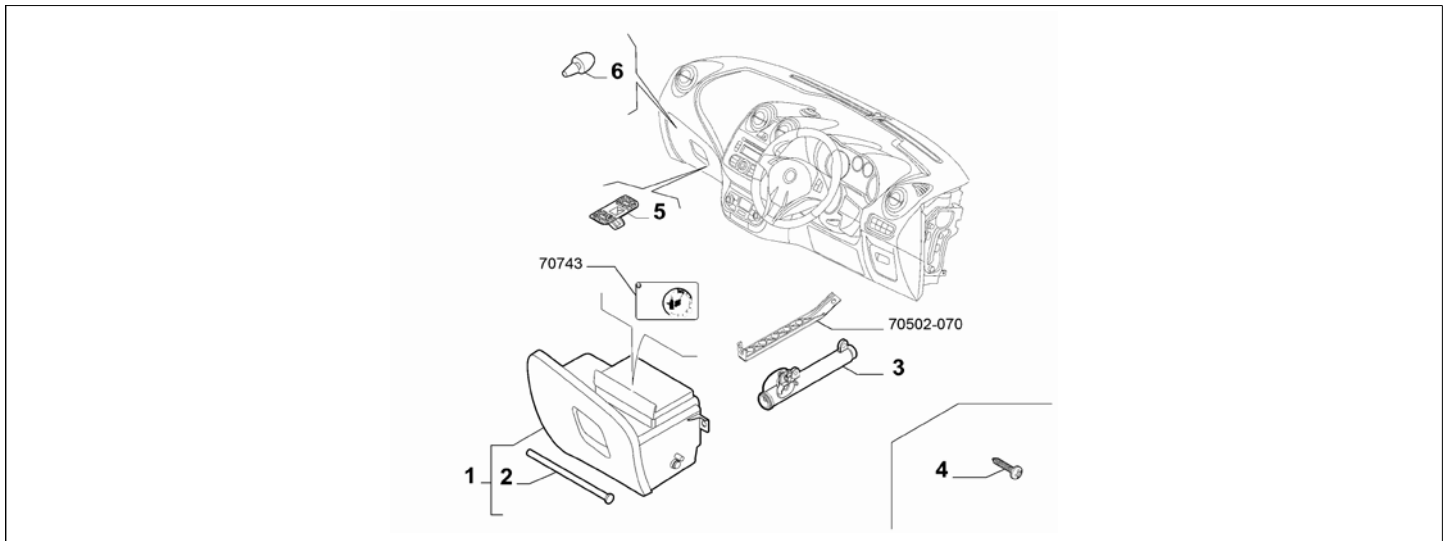
Catalogue	MITO 2013-2018	
Category	22.1 INSTRUMENT PANEL	
Var.	01	LHD
Rev.	00	



Part Num.	Description	Compatibility	Modif.	Qty	Notes	Col.	Reman.
1	156100519 DRAWER	LHD		1			
2	156083593 GLOVE COMPARTMENT			1			
3	156097748 LOCK			1			
4	156097747 LID			1			
5	16083607 SCREW			3			
6	11087676 LOCKRING			1			
7	50511734 PIN			1			
8	50521967 PAD			1			
9	50514986 BUMPER			2			
10	735416854 PAD			2			
11	50516233 POSITIONING DEVICE		C22063	1			
12	50513706 STRIKER PLATE			1			
13	15783301 SCREW		C22063	1			
14	15690807 SCREW			8			

Legend	
LHD	STEERING:LEFT
22063	STOPPED USE OF CLUTCH BOX AND FASTENER [DAT 22/12/2017]

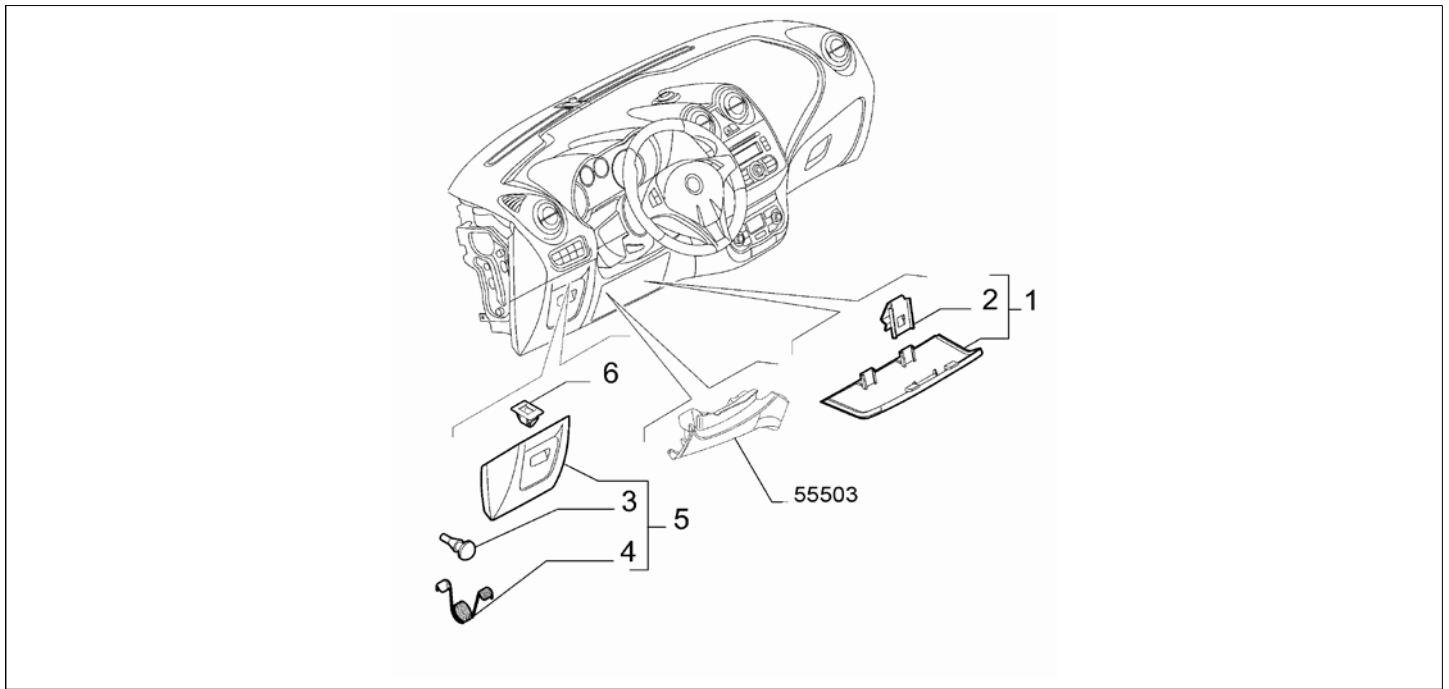
Catalogue	MITO 2013-2018	
Category	22.1 INSTRUMENT PANEL	
Var.	02	RHD
Rev.	00	



Part Num.	Description	Compatibility	Modif.	Qty	Notes	Col.	Reman.
1	156097755 DRAWER			1			
2	50513631 PIN			1			
3	50517146 POSITIONING DEVICE			1			
4	15690807 SCREW			2			
5	50513706 STRIKER PLATE			1			
6	50521967 PAD			1			

Legend	
RHD	STEERING:RIGHT

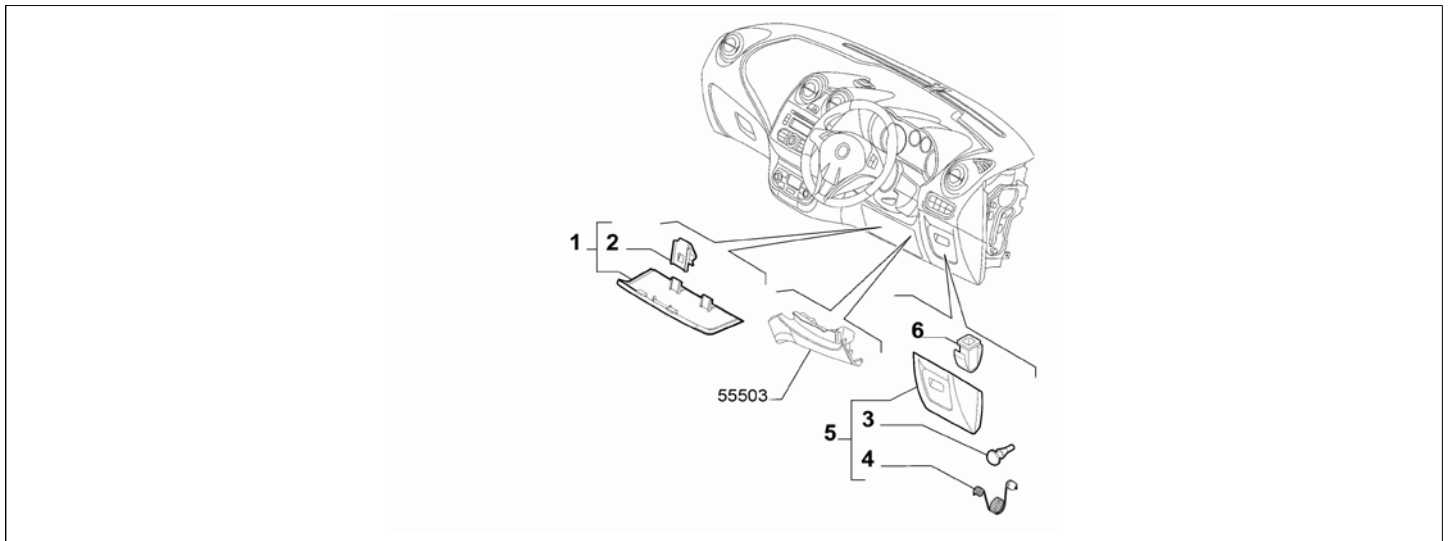
Catalogue	MITO 2013-2018	
Category	22.1 INSTRUMENT PANEL	
Var.	01	LHD
Rev.	00	



Part Num.	Description	Compatibility	Modif.	Qty	Notes	Col.	Reman.
1	156083526 PLUG			1			
2	60677995 CLIP			2			
3	82412405 BUMPER			2			
4	50512624 SPRING			1			
5	156101973 DRAWER	LHD		1			
6	60507674 PAD			2			

Legend	
LHD	STEERING:LEFT

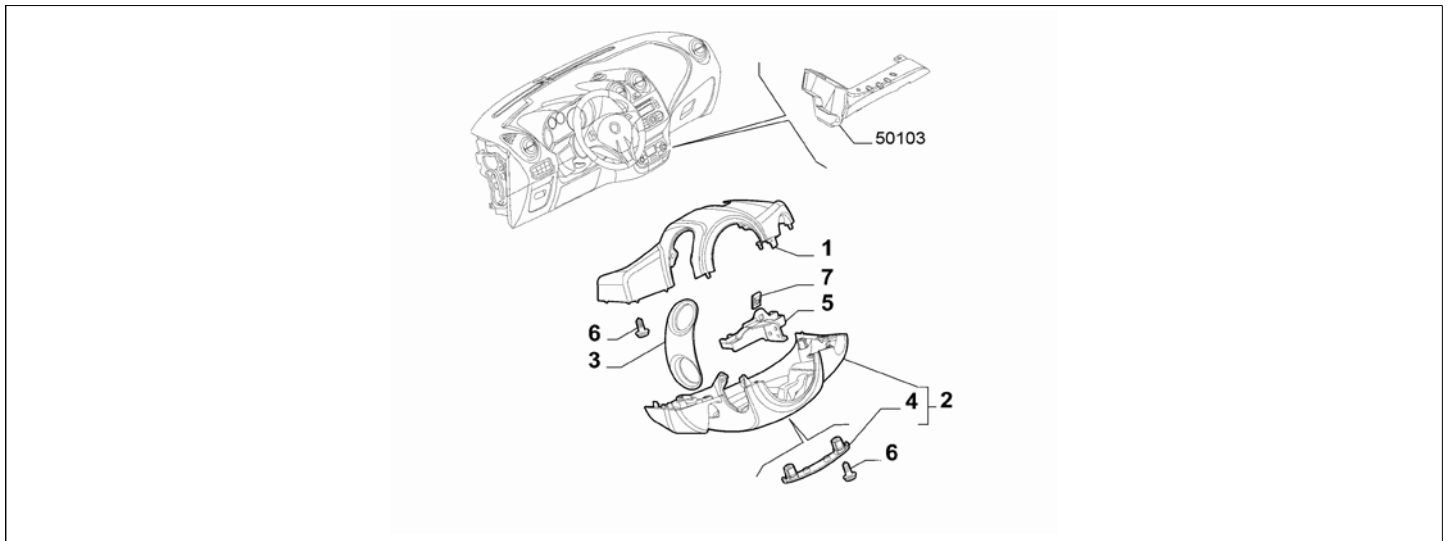
Catalogue	MITO 2013-2018	
Category	22.1 INSTRUMENT PANEL	
Var.	02	RHD
Rev.	00	



Part Num.	Description	Compatibility	Modif.	Qty	Notes	Col.	Reman.
1	156083526 PLUG			1			
2	60677995 CLIP			2			
3	82412405 BUMPER			1			
4	50513719 SPRING			1			
5	156087108 LID			1			
6	60507674 PAD			1			

Legend	
RHD	STEERING:RIGHT

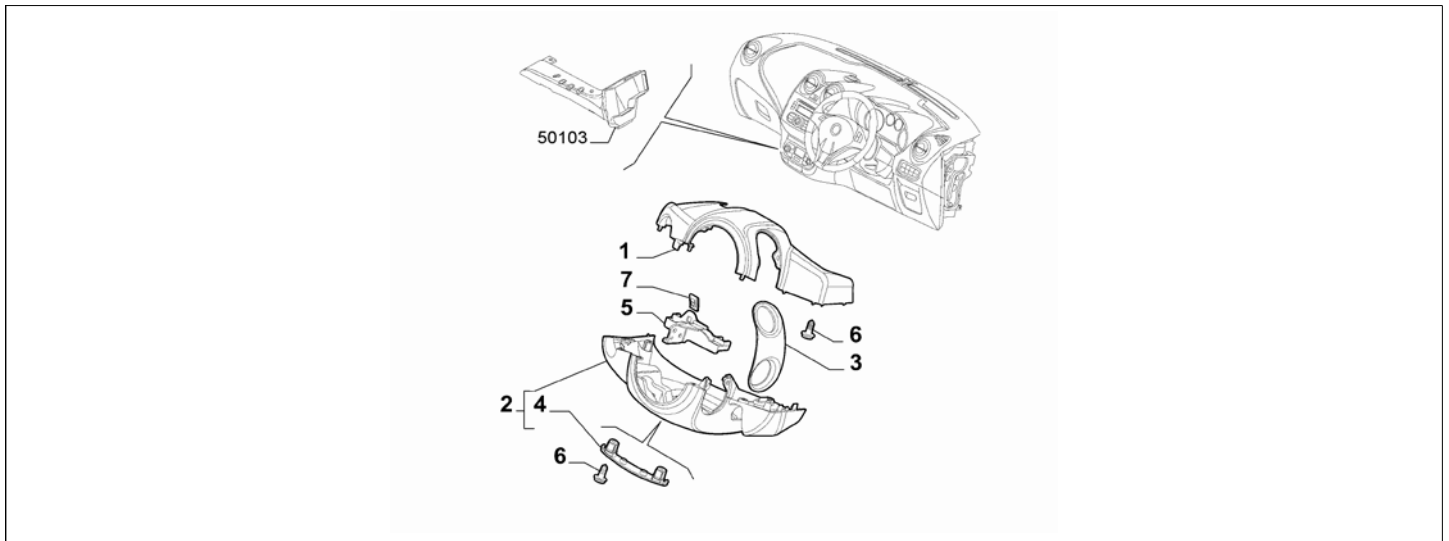
Catalogue	MITO 2013-2018	
Category	22.1 INSTRUMENT PANEL	
Var.	01	LHD
Rev.	00	



Part Num.	Description	Compatibility	Modif.	Qty	Notes	Col.	Reman.
1	156083392 PROTECTION, SUPERIORE			1			
2	156091313 PROTECTION, INFERIORE	!TCT		1			
2	156100042 PROTECTION	TCT		1			
3	735410520 PROTECTION	416		1			
3	735410521 ORNAMENT	!416		1			
4	735410488 INSERT			1			
5	50518634 BRACKET			1			
6	46544662 SCREW			8			
7	7784831 BRACKET			2			

Legend	
TCT	SPECIFIC GEARBOX
416	CRUISE CONTROL
LHD	STEERING:LEFT

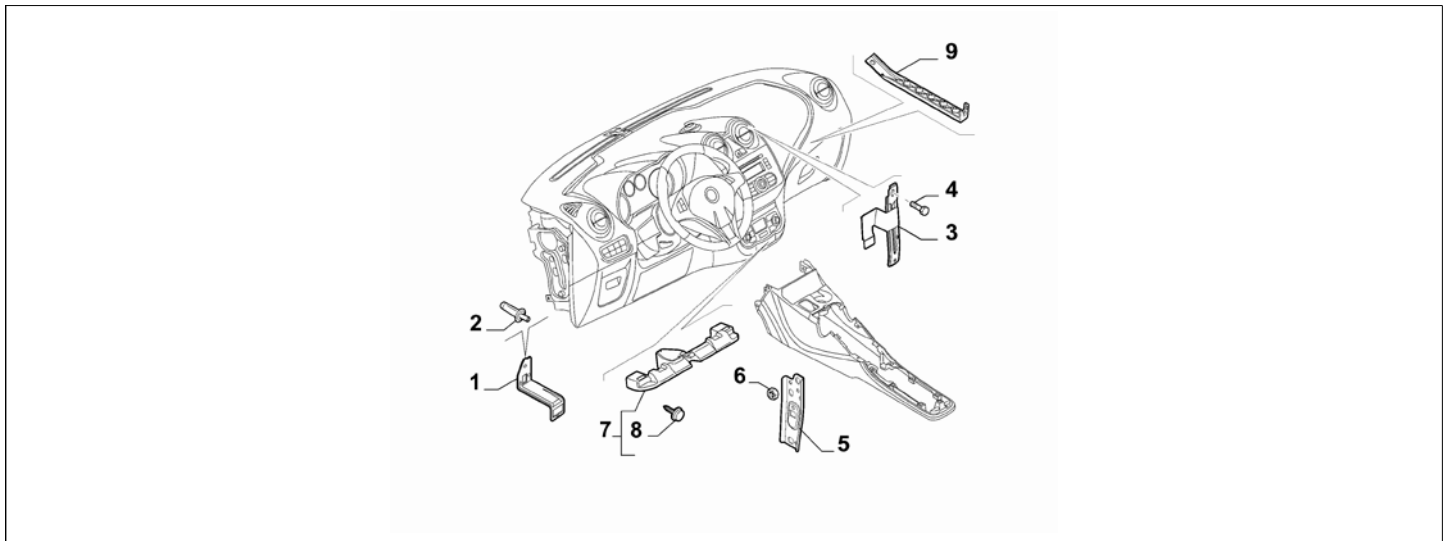
Catalogue	MITO 2013-2018	
Category	22.1 INSTRUMENT PANEL	
Var.	02	RHD
Rev.	00	



Part Num.	Description	Compatibility	Modif.	Qty	Notes	Col.	Reman.
1	156083391 PROTECTION, SUPERIORE			1			
2	156091313 PROTECTION, INFERIORE	!TCT		1			
2	156100042 PROTECTION	TCT		1			
3	735410520 PROTECTION	416		1			
3	735410521 ORNAMENT	!416		1			
4	735410488 INSERT			1			
5	50518634 BRACKET			1			
6	46544662 SCREW			8			
7	7784831 BRACKET			2			

Legend	
TCT	SPECIFIC GEARBOX
416	CRUISE CONTROL
RHD	STEERING:RIGHT

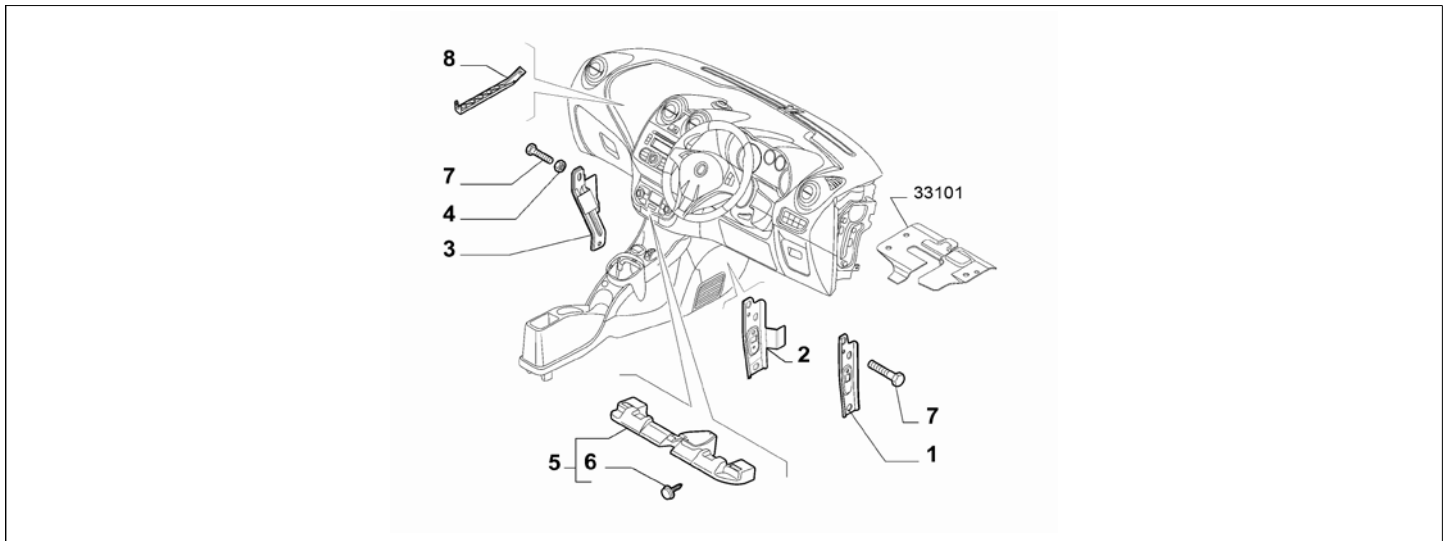
Catalogue	MITO 2013-2018	
Category	22.1 INSTRUMENT PANEL	
Var.	01	LHD
Rev.	00	



Part Num.	Description	Compatibility	Modif.	Qty	Notes	Col.	Reman.
1	50510442 BRACKET			1			
2	14261691 RIVET, 6,4X8,5			2			
3	51886484 BRACKET			1			
4	811900172 SCREW			1			
5	51849051 BRACKET			1			
6	811900440 NUT			1			
7	50511705 BRACKET			1			
8	46558583 SCREW			1			
9	50518743 REINFORCEMENT			1			

Legend	
LHD	STEERING:LEFT

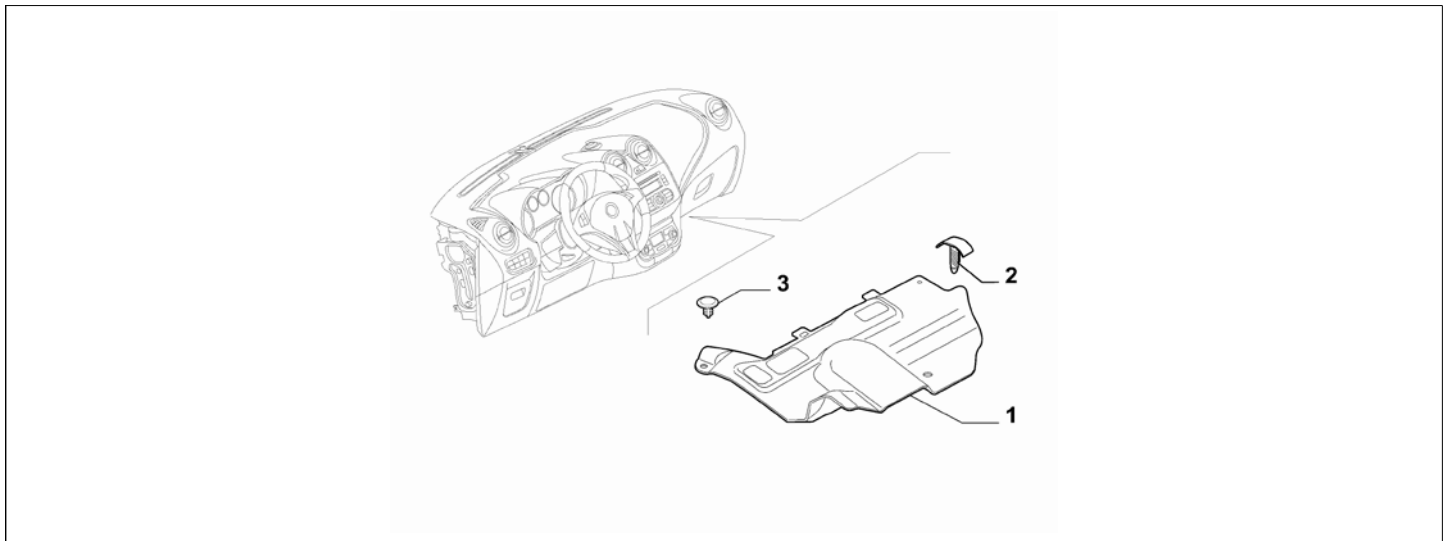
Catalogue	MITO 2013-2018	
Category	22.1 INSTRUMENT PANEL	
Var.	02	RHD
Rev.	00	



Part Num.	Description	Compatibility	Modif.	Qty	Notes	Col.	Reman.
1	51861124 BRACKET			1			
2	51786733 BRACKET			1			
3	51886485 BRACKET			1			
4	811900440 NUT			1			
5	50511705 BRACKET			1			
6	46558583 SCREW			2			
7	811900172 SCREW, M8X16			3			
8	50518743 REINFORCEMENT			1			

Legend	
RHD	STEERING:RIGHT

Catalogue	MITO 2013-2018	
Category	22.1 INSTRUMENT PANEL	
Var.	01	
Rev.	00	



Part Num.	Description	Compatibility	Modif.	Qty	Notes	Col.	Reman.
1	51811771 SOUNDPROOFING	LHD		1			
2	735290437 BUTTON	LHD		2			
3	735493588 BUTTON	LHD		1			

Legend	
LHD	STEERING:LEFT