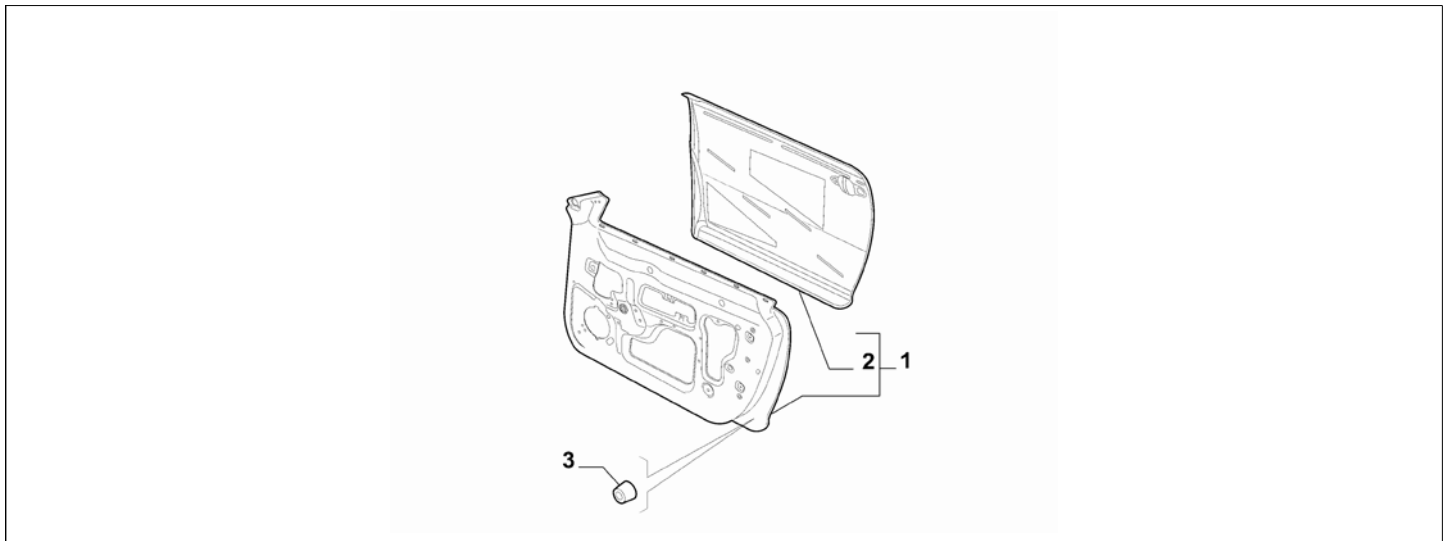
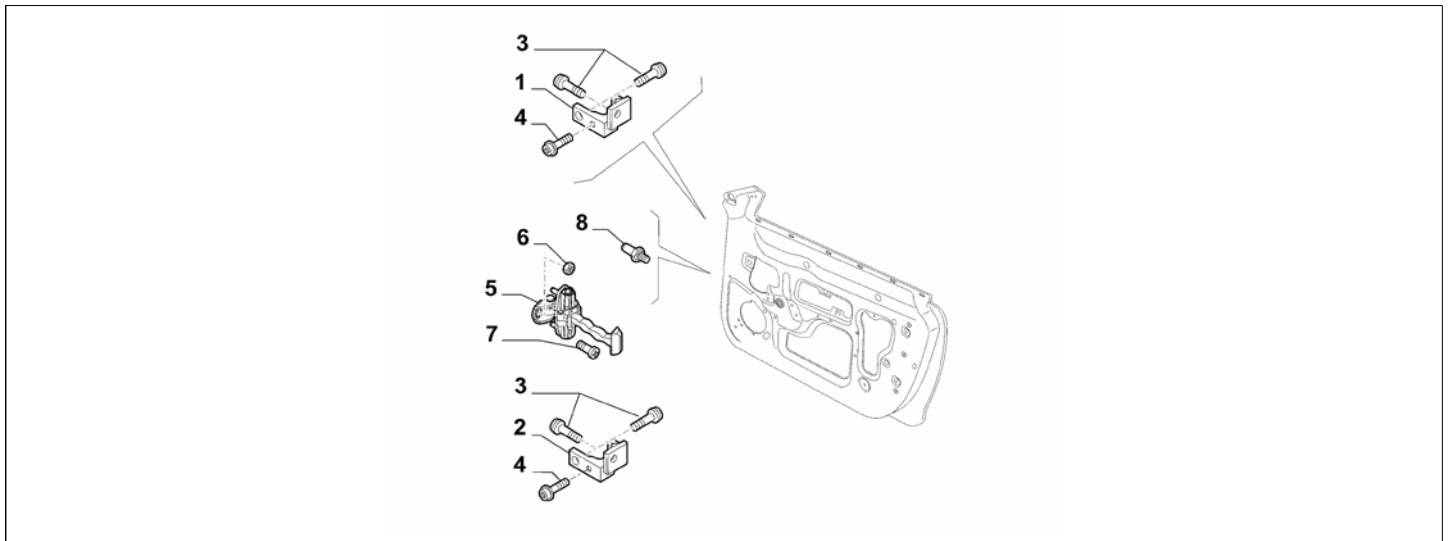


| | | |
|-----------|------------------|--|
| Catalogue | MITO 2013-2018 | |
| Category | 21.3 FRONT DOORS | |
| Var. | 02 | |
| Rev. | 00 | |



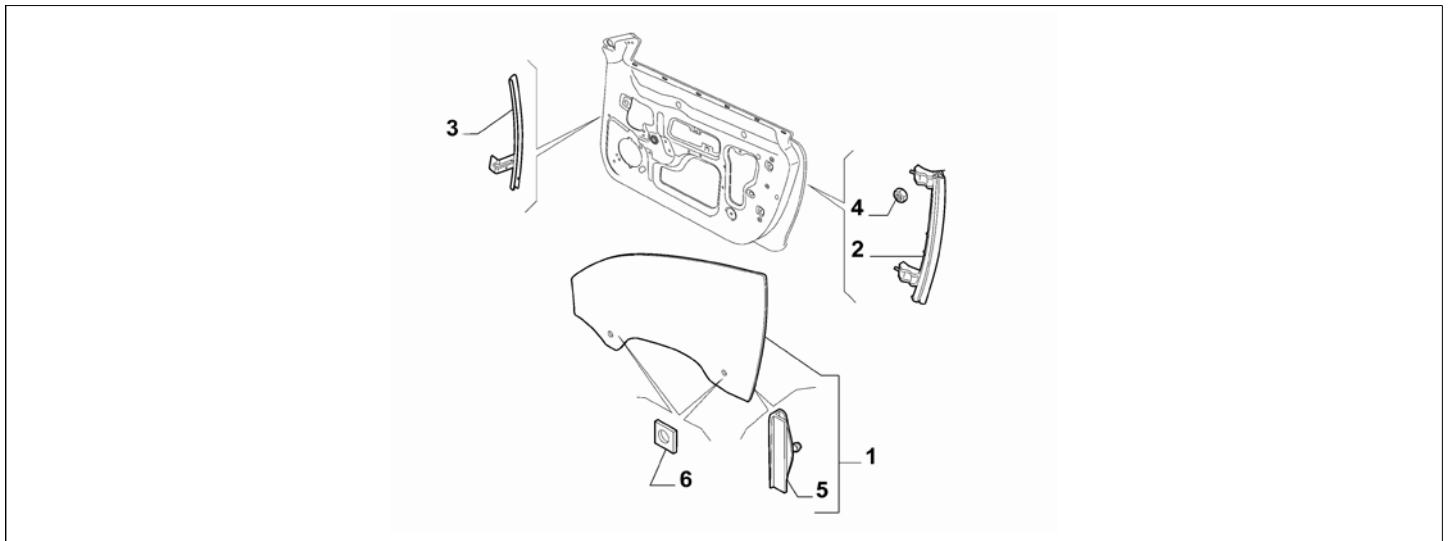
| Part Num. | Description | Compatibility | Modif. | Qty | Notes | Col. | Reman. |
|-----------|------------------------------|---------------|--------|-----|-------|------|--------|
| 1 | 50520896 DOOR, RIGHT | | | 1 | | | |
| 1 | 50520897 DOOR, LEFT | | | 1 | | | |
| 2 | 50509101 METAL LINING, RIGHT | | | 1 | | | |
| 2 | 50509125 METAL LINING, LEFT | | | 1 | | | |
| 3 | 46516811 WICK | | | 2 | | | |

| | | |
|-----------|------------------|--|
| Catalogue | MITO 2013-2018 | |
| Category | 21.3 FRONT DOORS | |
| Var. | 01 | |
| Rev. | 00 | |



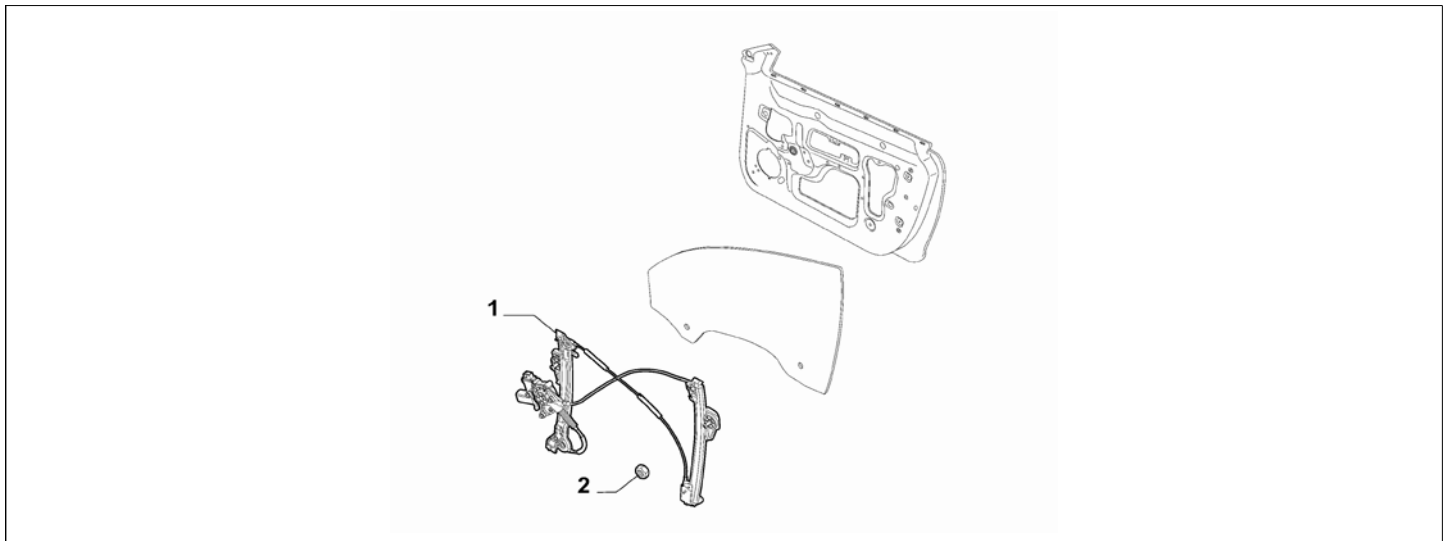
| Part Num. | Description | Compatibility | Modif. | Qty | Notes | Col. | Reman. |
|-----------|-----------------------------|---------------|--------|-----|-------|------|--------|
| 1 | 51825646 HINGE, UPPER RIGHT | | | 1 | | | |
| 1 | 51825647 HINGE, UPPER LEFT | | | 1 | | | |
| 2 | 51825648 HINGE, LOWER RIGHT | | | 1 | | | |
| 2 | 51825649 HINGE, LOWER LEFT | | | 1 | | | |
| 3 | 18782134 SCREW, M8X30 | | | 8 | | | |
| 3 | 18754324 SCREW, M10X32 | | | 4 | | | |
| 4 | 18750134 SCREW, M6X14 | | | 4 | | | |
| 5 | 50509095 DOOR CHECK | | | 2 | | | |
| 6 | 12578118 NUT, M6 | | | 4 | | | |
| 7 | 51793352 SCREW, M8X30 | | | 2 | | | |
| 8 | 51712110 PIN | | | 2 | | | |

| | | |
|-----------|------------------|--|
| Catalogue | MITO 2013-2018 | |
| Category | 21.3 FRONT DOORS | |
| Var. | 01 | |
| Rev. | 00 | |



| Part Num. | Description | Compatibility | Modif. | Qty | Notes | Col. | Reman. |
|-----------|-------------|-----------------------------|--------|-----|-------|------|--------|
| 1 | 50516421 | ATHERMAL CRYSTAL, RIGHT | | 1 | | | |
| 1 | 50516422 | ATHERMAL CRYSTAL, LEFT | | 1 | | | |
| 2 | 50509149 | GLASS RUN, REAR RIGHT | | 1 | | | |
| 2 | 50509150 | GLASS RUN, REAR LEFT | | 1 | | | |
| 3 | 50509117 | GLASS RUN, ANTERIORE DESTRO | | 1 | | | |
| 3 | 50509137 | GLASS RUN, FRONT LEFT | | 1 | | | |
| 4 | 13046118 | NUT, M6 | | 4 | | | |
| 5 | 7798609 | PAD | | 2 | | | |
| 6 | 51813788 | FELT | | 2 | | | |

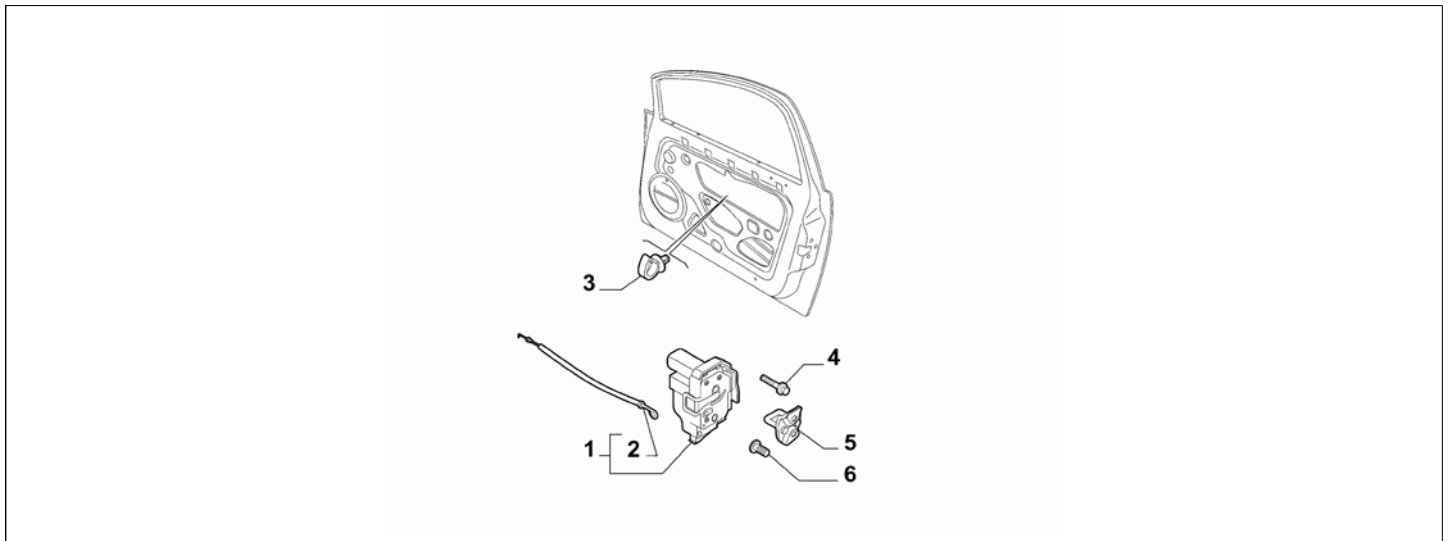
| | | |
|-----------|------------------|--|
| Catalogue | MITO 2013-2018 | |
| Category | 21.3 FRONT DOORS | |
| Var. | 01 | |
| Rev. | 00 | |



| Part Num. | Description | Compatibility | Modif. | Qty | Notes | Col. | Reman. |
|-----------|----------------------------------|---------------|--------|-----|-------|------|--------|
| 1 | 50526658 WINDOW REGULATOR, RIGHT | LHD, RHD | C17252 | 1 | | | |
| 1 | 51983414 WINDOW REGULATOR, RIGHT | LHD, RHD | D17252 | 1 | | | |
| 1 | 50526659 WINDOW REGULATOR, LEFT | LHD, RHD | C17252 | 1 | | | |
| 1 | 51983415 WINDOW REGULATOR, LEFT | LHD, RHD | D17252 | 1 | | | |
| 2 | 13046118 NUT, M6 | | | 14 | | | |

| Legend | |
|--------|--|
| RHD | STEERING:RIGHT |
| LHD | STEERING:LEFT |
| 17252 | New RH/LH window regulator [TEL X019517] |

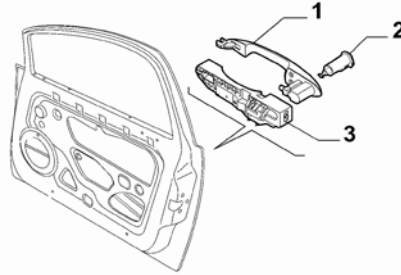
| | | |
|-----------|------------------|--|
| Catalogue | MITO 2013-2018 | |
| Category | 21.3 FRONT DOORS | |
| Var. | 01 | |
| Rev. | 00 | |



| Part Num. | Description | Compatibility | Modif. | Qty | Notes | Col. | Reman. |
|-----------|-------------|-----------------------|----------|--------|-------|------|--------|
| 1 | 50521836 | LOCK, RIGHT | LHD+1064 | C16714 | 1 | | |
| 1 | 50522847 | LOCK | LHD+1064 | D16714 | 1 | | |
| 1 | 50521841 | LOCK, RIGHT | LHD+064 | C16714 | 1 | | |
| 1 | 50522848 | LOCK, RIGHT | LHD+064 | D16714 | 1 | | |
| 1 | 50521842 | LOCK, RIGHT | RHD+064 | C16714 | 1 | | |
| 1 | 50522849 | LOCK, RIGHT | RHD+064 | D16714 | 1 | | |
| 1 | 50521844 | LOCK, RIGHT | RHD+1064 | C16714 | 1 | | |
| 1 | 50522850 | LOCK, RIGHT | RHD+1064 | D16714 | 1 | | |
| 1 | 50521845 | LOCK, LEFT | LHD+1064 | C16714 | 1 | | |
| 1 | 50522855 | LOCK, LEFT | LHD+1064 | D16714 | 1 | | |
| 1 | 50521843 | LOCK, LEFT | LHD+064 | C16714 | 1 | | |
| 1 | 50522856 | LOCK, LEFT | LHD+064 | D16714 | 1 | | |
| 1 | 50521840 | LOCK, LEFT | RHD+064 | C16714 | 1 | | |
| 1 | 50522857 | LOCK, LEFT | RHD+064 | D16714 | 1 | | |
| 1 | 50521838 | LOCK, LEFT | RHD+1064 | C16714 | 1 | | |
| 1 | 50522858 | LOCK, LEFT | RHD+1064 | D16714 | 1 | | |
| 2 | 50521837 | WIRE, RIGHT | LHD+1064 | | 1 | | |
| 2 | 50521839 | WIRE, LEFT | LHD+1064 | | 1 | | |
| 3 | 14573280 | CLIP | | | 2 | | |
| 4 | 46401657 | SCREW AND WASHER ASSY | | | 3 | | |
| 5 | 50512981 | STRIKER PLATE | | C18822 | 2 | | |
| 5 | 50541749 | STRIKER PLATE | | D18822 | 1 | | |
| 6 | 51805249 | SCREW, M8X23 | | | 4 | | |

| Legend | |
|--------|---------------------------------------|
| 064 | SAFE LOCK (SUPERLOCKING) |
| RHD | STEERING:RIGHT |
| LHD | STEERING:LEFT |
| 16714 | New front door locks [DAT 06/09/2013] |
| 18822 | mould refacing [DAT 31/07/2015] |

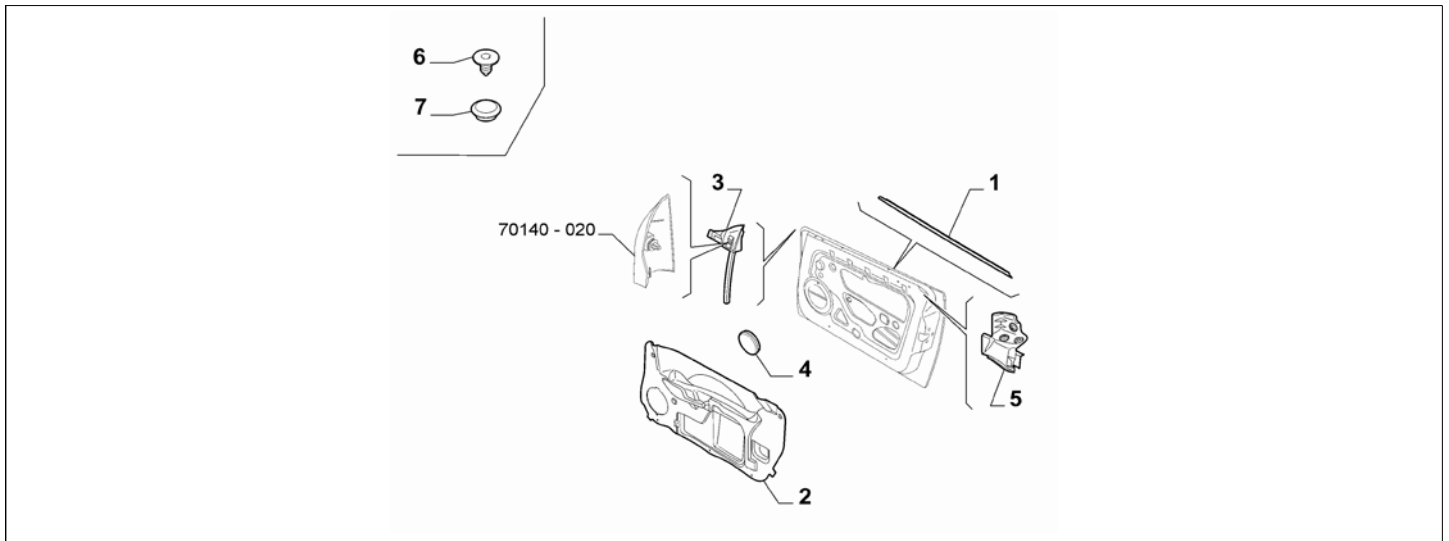
| | | |
|-----------|------------------|--|
| Catalogue | MITO 2013-2018 | |
| Category | 21.3 FRONT DOORS | |
| Var. | 01 | |
| Rev. | 00 | |



| Part Num. | Description | Compatibility | Modif. | Qty | Notes | Col. | Reman. |
|-----------|-------------|---------------|-------------------------|-----|-------|------|--------|
| 1 | 156099955 | HANDLE, LEFT | | 1 | | | |
| 1 | 156099954 | HANDLE, LEFT | !0C5+I59A+5IX+I61A+LHD | 1 | | | |
| 1 | 156106675 | HANDLE, LEFT | !0C5+I59A+5IX+I61A+RHD | 1 | | | |
| 1 | 156106675 | HANDLE, LEFT | !0C5+59A+I5IX+I61A+LHD | 1 | | | |
| 1 | 156106675 | HANDLE, LEFT | 0C5+I59A+I5IX+I61A+LHD | 1 | | | |
| 1 | 156106674 | HANDLE, LEFT | !0C5+I59A+I5IX+I61A+RHD | 1 | | | |
| 1 | 156106674 | HANDLE, LEFT | 0C5+I59A+I5IX+I61A+RHD | 1 | | | |
| 1 | 156099957 | HANDLE, LEFT | !0C5+I59A+I5IX+61A+LHD | 1 | | | |
| 1 | 156099957 | HANDLE, LEFT | !0C5+I59A+I5IX+I61A+LHD | 1 | | | |
| 1 | 156099956 | HANDLE, LEFT | !0C5+I59A+I5IX+61A+RHD | 1 | | | |
| 1 | 156099956 | HANDLE, LEFT | !0C5+I59A+I5IX+I61A+RHD | 1 | | | |
| 1 | 156099954 | HANDLE, RIGHT | !0C5+I59A+5IX+I61A+LHD | 1 | | | |
| 1 | 156099955 | HANDLE, RIGHT | !0C5+I59A+5IX+I61A+RHD | 1 | | | |
| 1 | 156106674 | HANDLE, RIGHT | !0C5+59A+I5IX+I61A+LHD | 1 | | | |
| 1 | 156106674 | HANDLE, RIGHT | 0C5+I59A+I5IX+I61A+LHD | 1 | | | |
| 1 | 156106675 | HANDLE, RIGHT | !0C5+59A+I5IX+I61A+RHD | 1 | | | |
| 1 | 156106675 | HANDLE, RIGHT | 0C5+I59A+I5IX+I61A+RHD | 1 | | | |
| 1 | 156099956 | HANDLE, RIGHT | !0C5+I59A+I5IX+61A+LHD | 1 | | | |
| 1 | 156099956 | HANDLE, RIGHT | !0C5+I59A+I5IX+I61A+LHD | 1 | | | |
| 1 | 156099957 | HANDLE, RIGHT | !0C5+I59A+I5IX+61A+RHD | 1 | | | |
| 1 | 156099957 | HANDLE, RIGHT | !0C5+I59A+I5IX+I61A+RHD | 1 | | | |
| 2 | 51751769 | LOCK | LHD | 1 | | | |
| 2 | 51751864 | LOCK | RHD | 1 | | | |
| 3 | 50522663 | BODY, RIGHT | LHD | 1 | | | |
| 3 | 50522665 | BODY, RIGHT | RHD | 1 | | | |
| 3 | 50522664 | BODY, LEFT | | 1 | | | |

| Legend | |
|--------|-------------------------------|
| 0C5 | CARBON KIT |
| 59A | ESTHETIC KIT |
| 5IX | SPECIFIC DOOR HANDLES |
| 61A | PAINTED EXTERNAL DOOR HANDLES |
| RHD | STEERING:RIGHT |
| LHD | STEERING:LEFT |

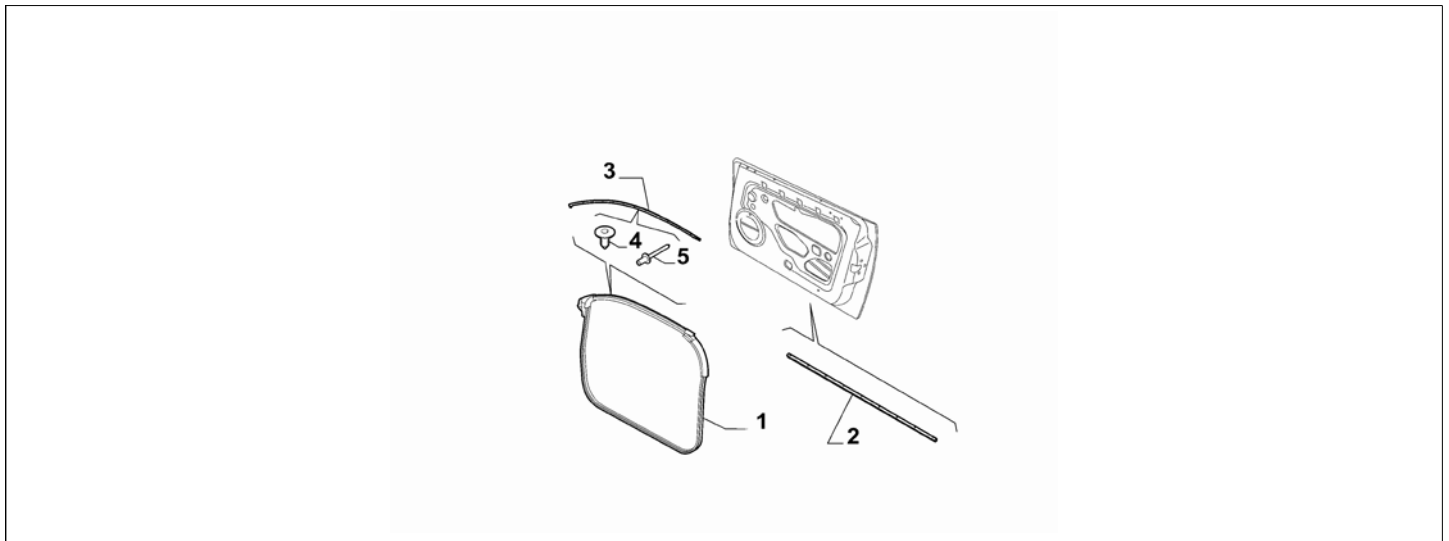
| | | |
|-----------|------------------|--|
| Catalogue | MITO 2013-2018 | |
| Category | 21.3 FRONT DOORS | |
| Var. | 01 | |
| Rev. | 00 | |



| Part Num. | Description | Compatibility | Modif. | Qty | Notes | Col. | Reman. |
|-----------|-------------|--------------------|----------|-----|-------|------|--------|
| 1 | 50509147 | SEAL GASKET, RIGHT | 6Z6 | | 0 | | |
| 1 | 50509147 | SEAL GASKET, RIGHT | 4BJ | | 0 | | |
| 1 | 50511586 | SEAL GASKET, RIGHT | 4BJ+16Z6 | | 0 | | |
| 1 | 50509148 | SEAL GASKET, LEFT | 6Z6 | | 0 | | |
| 1 | 50509148 | SEAL GASKET, LEFT | 4BJ | | 0 | | |
| 1 | 50511587 | SEAL GASKET, LEFT | 4BJ+16Z6 | | 0 | | |
| 2 | 52017654 | PROTECTION, RIGHT | | | 1 | | |
| 2 | 52017655 | PROTECTION, LEFT | | | 1 | | |
| 3 | 50527583 | SEAL GASKET, RIGHT | | | 1 | | |
| 3 | 50527584 | SEAL GASKET, LEFT | | | 1 | | |
| 4 | 50513985 | BUTTON | | | 1 | | |
| 5 | 50520467 | BRACKET, RIGHT | | | 1 | | |
| 5 | 50520468 | BRACKET, LEFT | | | 1 | | |
| 6 | 14506987 | PLUG | | | 1 | | |
| 7 | 4316521 | PLUG | | | 1 | | |

| Legend | |
|--------|------------------|
| 4BJ | MOLDINGS |
| 6Z6 | MOLDING DISCOUNT |

| | | |
|-----------|------------------|--|
| Catalogue | MITO 2013-2018 | |
| Category | 21.3 FRONT DOORS | |
| Var. | 01 | |
| Rev. | 00 | |



| Part Num. | Description | Compatibility | Modif. | Qty | Notes | Col. | Reman. |
|-----------|--------------------------------------|---------------|--------|-----|-------|------|--------|
| 1 | 50518261 RUBBER WEATHER_STRIP, RIGHT | | C19774 | 1 | | | |
| 1 | 50542858 RUBBER WEATHER_STRIP, RIGHT | | D19774 | 1 | | | |
| 1 | 50518262 RUBBER WEATHER_STRIP, LEFT | | C19774 | 1 | | | |
| 1 | 50542859 RUBBER WEATHER_STRIP, LEFT | | D19774 | 1 | | | |
| 2 | 50509163 SEAL GASKET | | | 2 | | | |
| 3 | 50510669 MOULDING, RIGHT | | | 1 | | | |
| 3 | 50510671 MOULDING, LEFT | | | 1 | | | |
| 4 | 735423216 BUTTON | | | 2 | | | |
| 5 | 11438492 RIVET | | | 11 | | | |

| Legend | |
|--------|--|
| 19774 | NEW DOOR SPACE FINISHINGS [DAT 01/07/2016] |