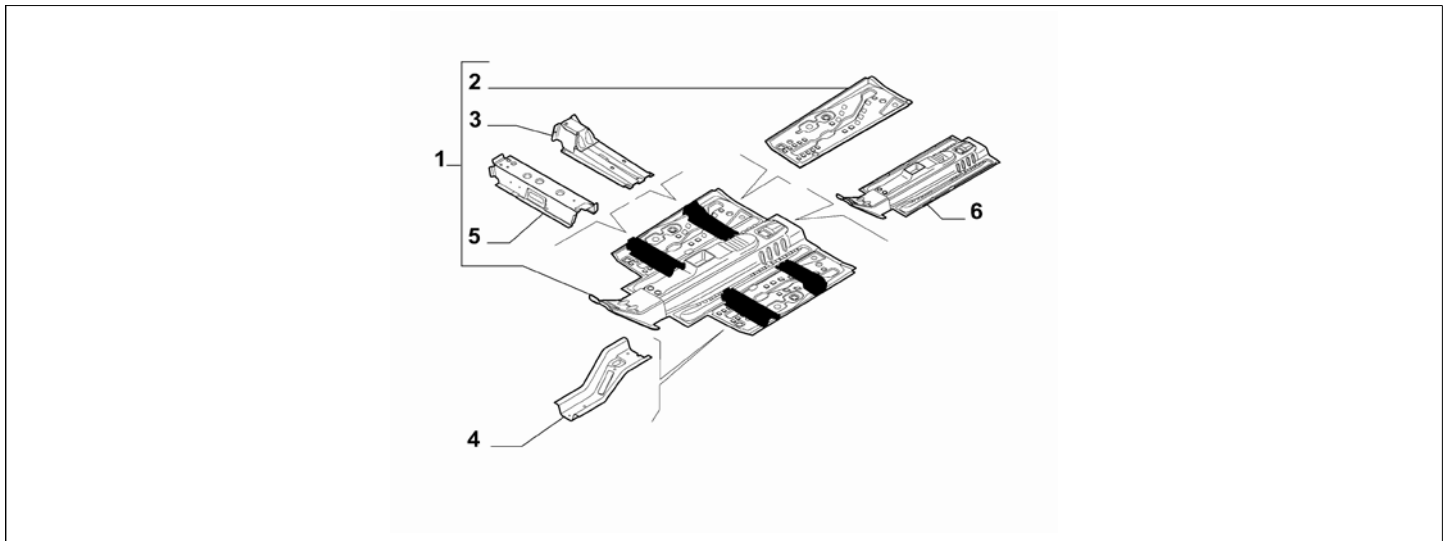
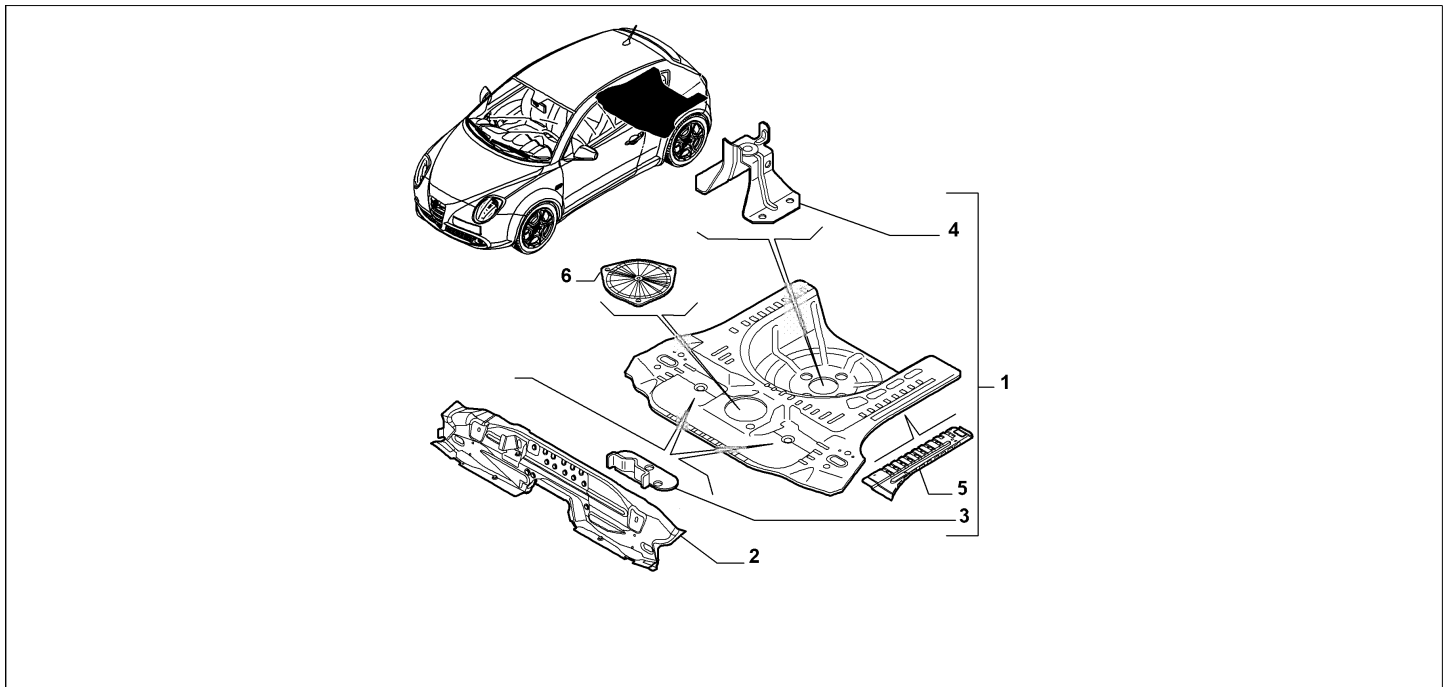


Catalogue	MITO 2013-2018	
Category	20.5 FLOOR PANNEL	
Var.	02	
Rev.	00	



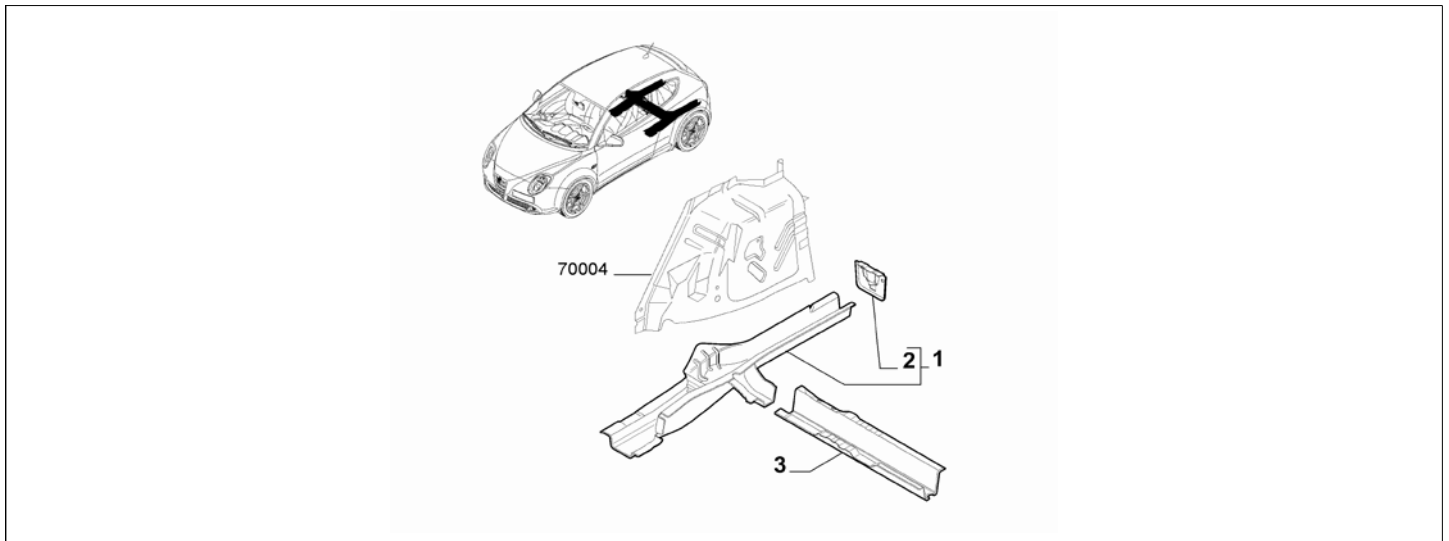
Part Num.	Description	Compatibility	Modif.	Qty	Notes	Col.	Reman.
1	50511142 FLOOR PAN, ANTERIORE			1			
2	55703531 FLOOR PAN, RIGHT			1			
2	55703532 FLOOR PAN, LEFT			1			
3	51858865 CROSSRAIL, RIGHT			1			
3	51858868 CROSSRAIL, LEFT			1			
4	55703704 SIDE MEMBER, RIGHT			1			
4	55703701 SIDE MEMBER, LEFT			1			
5	55700052 CROSSRAIL, RIGHT			1			
5	55700053 CROSSRAIL, LEFT			1			
6	50518717 FLOOR PAN			1			

Catalogue	MITO 2013-2018	
Category	20.5 FLOOR PANNEL	
Var.	01	
Rev.	00	



Part Num.	Description	Compatibility	Modif.	Qty	Notes	Col.	Reman.
1	55700025 FLOOR PAN, REAR			1			
2	55703534 CROSSRAIL			1			
3	55702496 BRACKET			2			
4	55702205 BRACKET			1			
5	55700308 BOXED PANEL			1			
6	51739855 COVER			1			

Catalogue	MITO 2013-2018	
Category	20.5 FLOOR PANNEL	
Var.	01	
Rev.	00	



Part Num.	Description	Compatibility	Modif.	Qty	Notes	Col.	Reman.
1	51923137 SIDE MEMBER, RIGHT			1			
1	51923138 SIDE MEMBER, LEFT			1			
2	50511474 PLATE, RIGHT			1			
2	50511471 PLATE, LEFT			1			
3	55700274 CROSSRAIL			1			