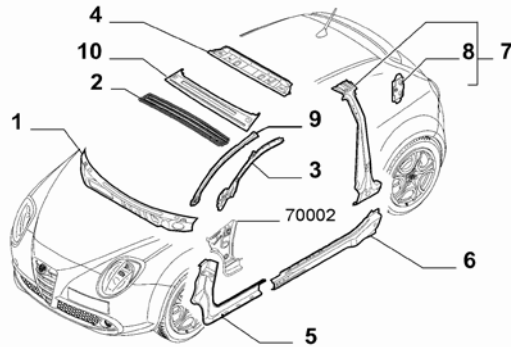


Catalogue	MITO 2013-2018	
Category	20.3 BODYSHELL STRUCTURE (CENTRAL PART)	
Var.	01	
Rev.	00	



Part Num.	Description	Compatibility	Modif.	Qty	Notes	Col.	Reman.
1	50522027	CROSSRAIL	LHD	1			
1	50522028	CROSSRAIL	RHD	1			
2	50542862	CROSSRAIL, SUPERIORE	!400	1			
2	50509062	CROSSRAIL, SUPERIORE	400	C17092	1		
2	50526456	CROSSRAIL, SUPERIORE	400	D17092	1		
3	50549577	SIDE RAIL, RIGHT		1			
3	50549579	SIDE RAIL, LEFT		1			
4	50508723	BOW	!400	1			
4	50509069	BOW	400	1			
5	50508737	METAL LINING, RIGHT		1			
5	50508753	METAL LINING, LEFT		1			
6	50510279	SIDE MEMBER, RIGHT		1			
6	50510280	SIDE MEMBER, LEFT		1			
7	50509204	REINFORCEMENT, RIGHT		1			
7	50509209	REINFORCEMENT, LEFT		1			
8	46827849	REINFORCEMENT		2			
9	50549581	SIDE RAIL, RIGHT		1			
9	50549584	SIDE RAIL, LEFT		1			
10	50509047	BOXED PANEL	400	1			

Legend	
400	LONG OPENABLE ELECTRIC SUNROOF
RHD	STEERING:RIGHT
LHD	STEERING:LEFT
17092	NEW UPPER WINDSCREEN CROSSMEMBER [TEL X023461]