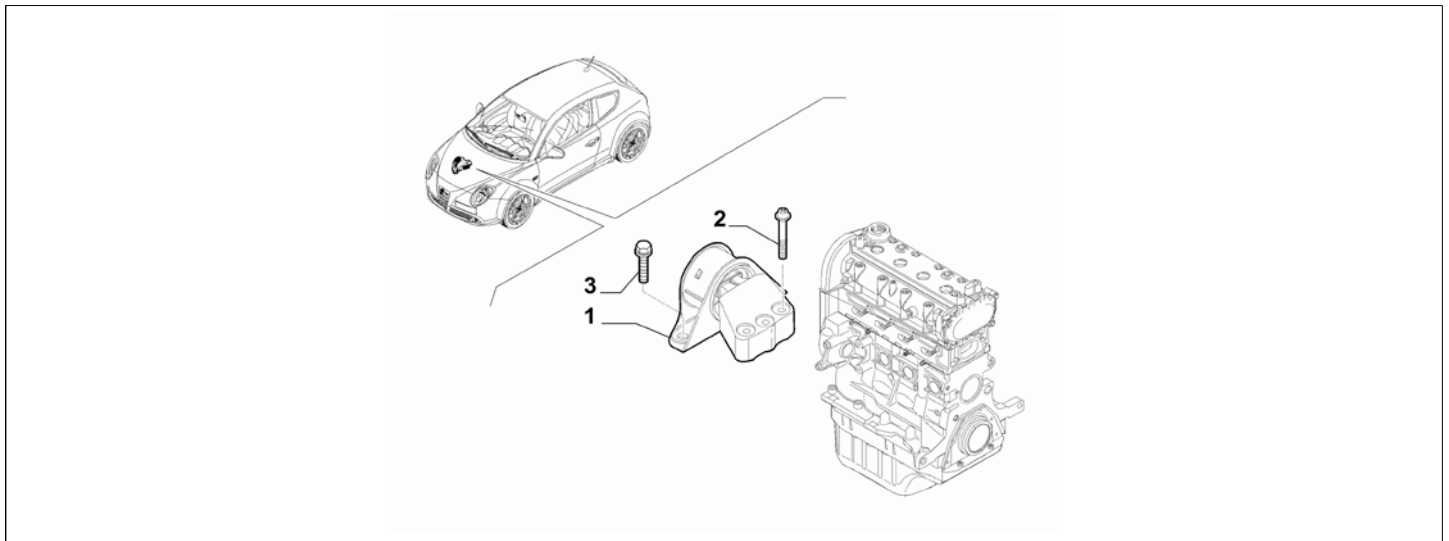


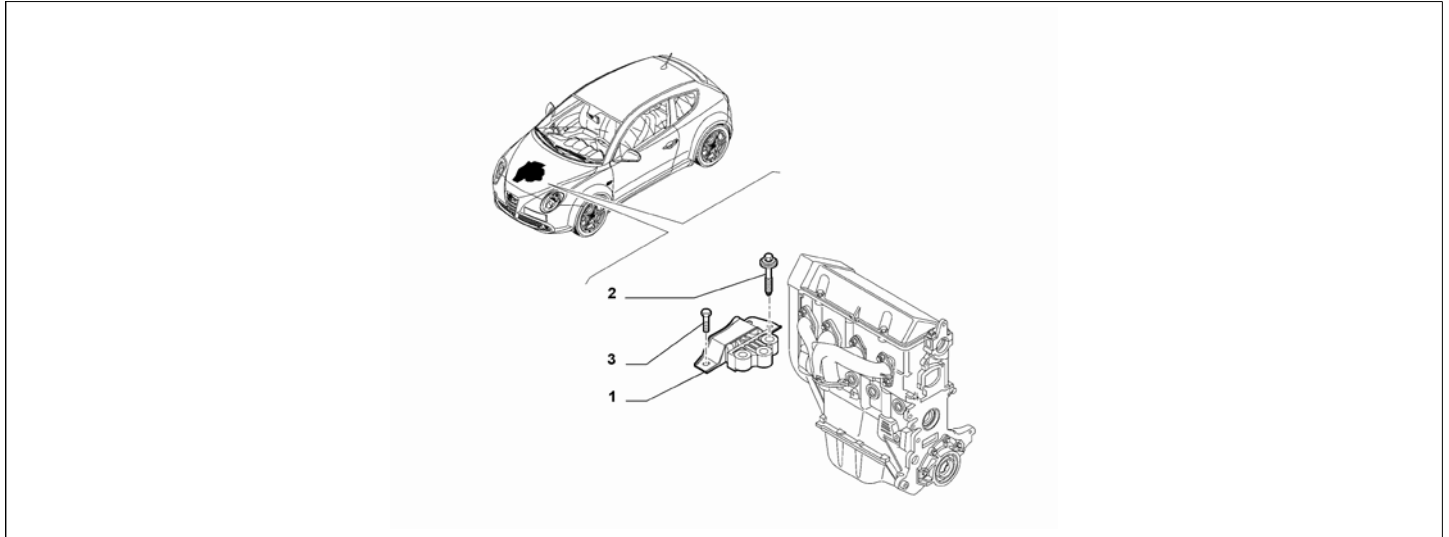
Catalogue	MITO 2013-2018	
Category	1.2 POWER PLANT SUSPENSIONS	
Var.	01	1.3D, 1.6D
Rev.	00	



Part Num.	Description	Compatibility	Modif.	Qty	Notes	Col.	Reman.
1	50508653 PAD	1.6D		1			
1	55703651 PAD	1.3D+EURO5		1			
1	52035775 PAD	1.3D+EURO6		1			
2	55701884 SCREW AND WASHER ASSY, M12X1,75X50			3			
3	811900027 SCREW, M10X1,5X30			3			

Legend	
1.3D	HORSE POWER (MARKET):
1.6D	HORSE POWER (MARKET):1598
EURO5	ECOLOGY:LIM.ECC PHASE 5
EURO6	ECOLOGY:EURO 6

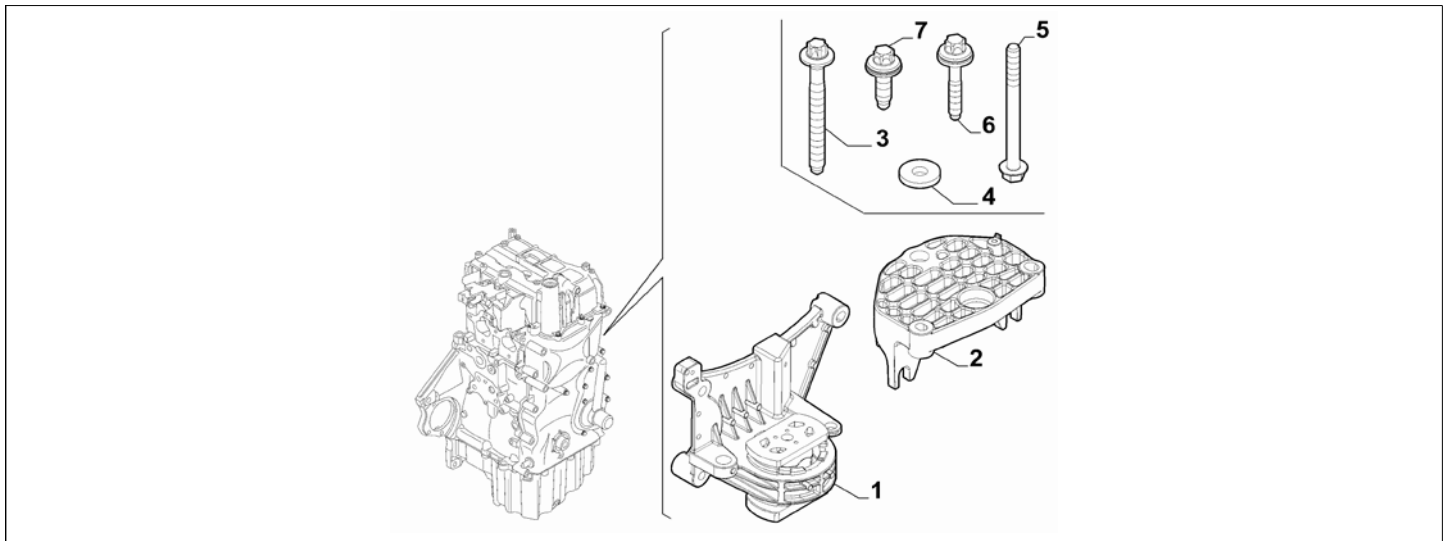
Catalogue	MITO 2013-2018	
Category	1.2 POWER PLANT SUSPENSIONS	
Var.	02	1.4
Rev.	00	



Part Num.	Description	Compatibility	Modif.	Qty	Notes	Col.	Reman.
1	51813198	PAD		1			
1	50515482	PAD		1			
1	51813198	PAD		1			
1	51813198	PAD		1			
1	51816525	PAD		1			
2	55701882	SCREW, M10X1,55X55		3			
3	811900027	SCREW, M10X1,5X30		3			

Legend	
TCT	SPECIFIC GEARBOX
NOTURBO	(ASPIRATED/TURBO):EXHAUST FAN
1.4	HORSE POWER (MARKET):1370
170HP	POWER:1.4 FIRE 16V TURBO MULTIAIR 170HP EURO 5
120HP	POWER:1.6 JTD EURO5 -1.4 FIRE TRB 120HP
135HP	POWER:1.4 FIRE 16V TURBO MULTIAIR 135 HP EURO 5

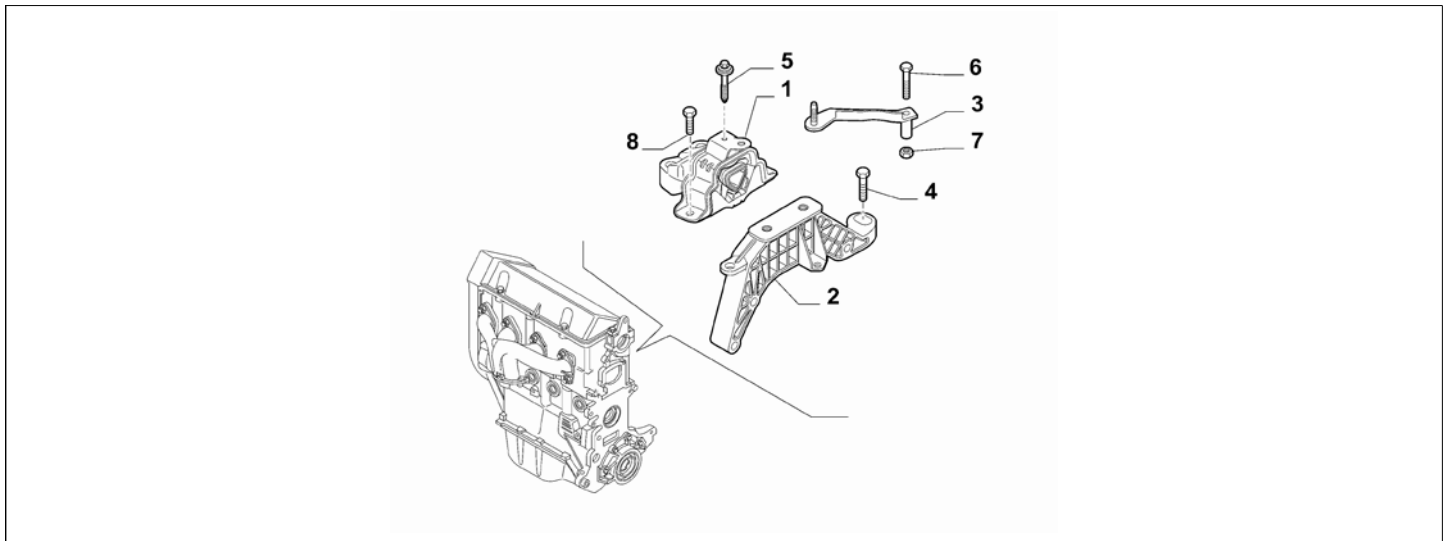
Catalogue	MITO 2013-2018	
Category	1.2 POWER PLANT SUSPENSIONS	
Var.	03	875CC
Rev.	00	



Part Num.	Description	Compatibility	Modif.	Qty	Notes	Col.	Reman.
1	51934811 PAD			1			
2	51889978 SUPPORT			1			
3	51771379 SCREW			1			
4	51839115 LOCK WASHER, 35X5X12			1			
5	55199811 SCREW, M10X1.25X115			4			
6	51921200 SCREW			2			
7	51921201 SCREW			2			

Legend	
875CC	HORSE POWER (MARKET):875

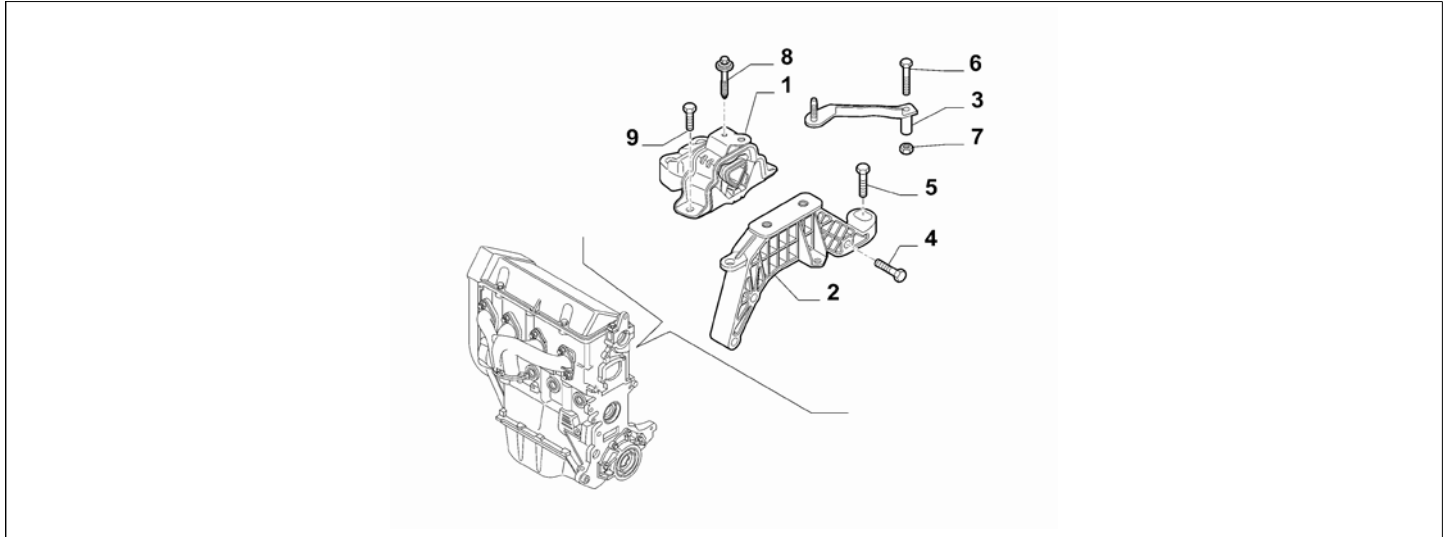
Catalogue	MITO 2013-2018	
Category	1.2 POWER PLANT SUSPENSIONS	
Var.	01	1.3D
Rev.	00	



Part Num.	Description	Compatibility	Modif.	Qty	Notes	Col.	Reman.
1	55702833 PAD	1.3D+PCC510		1			
2	55702834 SUPPORT	1.3D+PCC510		1			
3	55702838 BRACKET			1			
4	16289221 SCREW AND WASHER ASSY, M10X1,25X65	1.3D+PCC510		3			
5	55701885 SCREW, M12X1,75X70	1.3D+PCC510		2			
6	16287521 SCREW, M8X40			1			
7	12578211 NUT, M8			1			
8	811900042 SCREW, M12X1,75X40			2			

Legend	
1.3D	HORSE POWER (MARKET):
PCC510	GEARBOX DESIGN:MANUAL GEARBOX

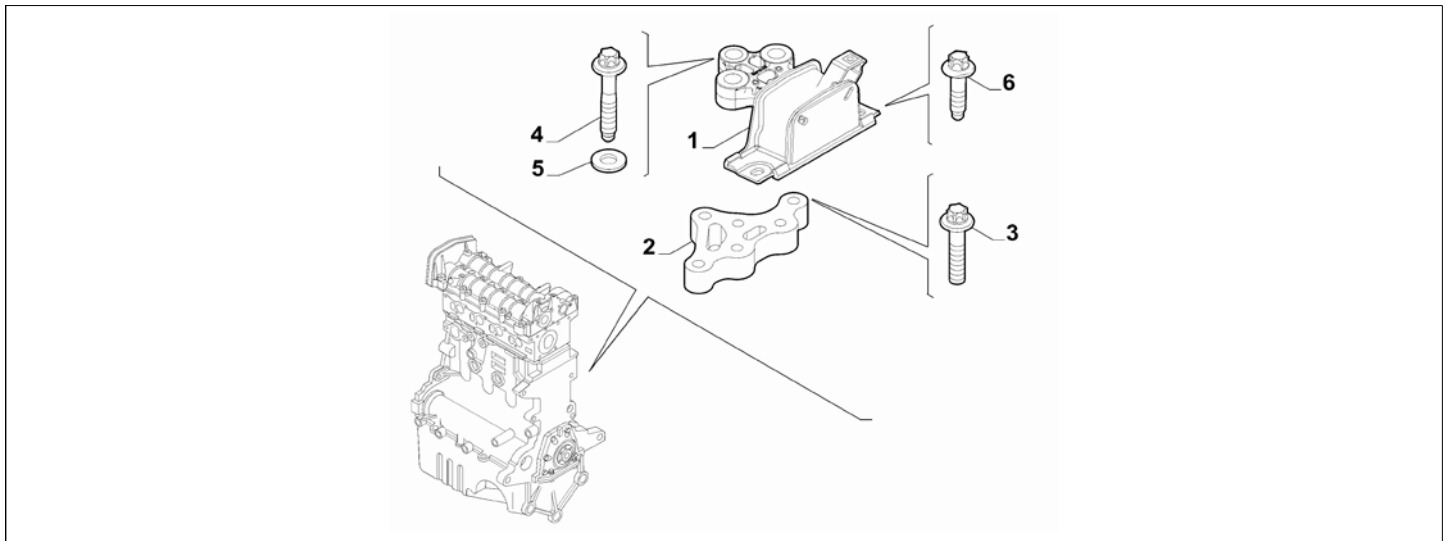
Catalogue	MITO 2013-2018	
Category	1.2 POWER PLANT SUSPENSIONS	
Var.	02	1.4
Rev.	00	



Part Num.	Description	Compatibility	Modif.	Qty	Notes	Col.	Reman.
1	50518779	PAD	135HP+PCC510		1		
1	50518779	PAD	105HP		1		
1	55700434	PAD	70HP, 78HP		1		
1	55702833	PAD	120HP		1		
1	50515483	PAD	PCC635		1		
2	51838886	SUPPORT	135HP+PCC510	C15329	1		
2	51927278	SUPPORT	135HP+PCC510	D15329	1		
2	50515484	SUPPORT	135HP+PCC635		1		
2	50515477	SUPPORT	PCC635+ITCT		1		
2	51843101	SUPPORT	120HP		1		
2	55700437	SUPPORT	PCC514		1		
3	55702838	BRACKET	120HP		1		
3	51838889	BRACKET	135HP+PCC510		1		
4	51794076	SCREW, M10X1,25X60	PCC514		3		
4	51794076	SCREW, M10X1,25X60	PCC510		3		
4	55223053	SCREW, M12X1,75X55	PCC635		3		
5	811900014	SCREW, M8X30	PCC514		1		
6	16287521	SCREW, M8X40	135HP+PCC510		1		
6	18752524	SCREW, M8X28	135HP+PCC510		1		
6	16287521	SCREW, M8X40	120HP		1		
7	12578211	NUT, M8	120HP		1		
8	55701885	SCREW, M12X1,75X70	PCC510, PCC514		2		
9	811900042	SCREW, M12X1,75X40			2		

Legend	
TCT	SPECIFIC GEARBOX
1.4	HORSE POWER (MARKET):1370
70HP	POWER:1.4 FIRE 8V 70HP EURO5-EURO6
78HP	POWER:1.4 FIRE 8V/16V 78HP EURO5
105HP	POWER:0.9 TWINAIR 105HP
120HP	POWER:1.6 JTD EURO5 -1.4 FIRE TRB 120HP
135HP	POWER:1.4 FIRE 16V TURBO MULTIAIR 135 HP EURO 5
PCC510	GEARBOX DESIGN:MANUAL GEARBOX
PCC514	GEARBOX DESIGN:MANUAL GEARBOX
PCC635	GEARBOX DESIGN:GEARBOX 35 KGM
15329	GEARBOX CONTROL MANOEUVRABILITY IMPROVEMENT [DAT 08/06/2012]

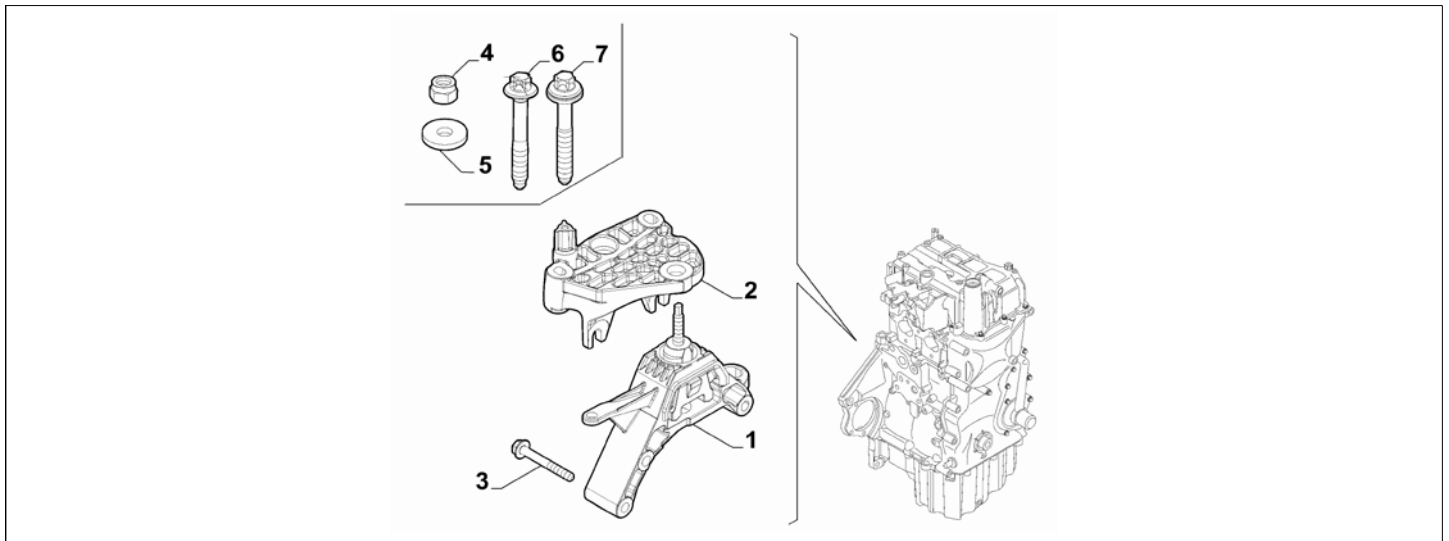
Catalogue	MITO 2013-2018	
Category	1.2 POWER PLANT SUSPENSIONS	
Var.	03	1.6D
Rev.	00	



Part Num.	Description	Compatibility	Modif.	Qty	Notes	Col.	Reman.
1	50515483 PAD	PCC635		1			
2	50515477 SUPPORT	PCC635		1			
3	55223053 SCREW, M12X1,75X55	PCC635		3			
4	811900045 SCREW, M12X1,75X60	PCC635		3			
5	12646921 PLANE WASHER	PCC635		3			
6	811900042 SCREW, M12X1,75X40			2			

Legend	
1.6D	HORSE POWER (MARKET):1598
PCC635	GEARBOX DESIGN:GEARBOX 35 KGM

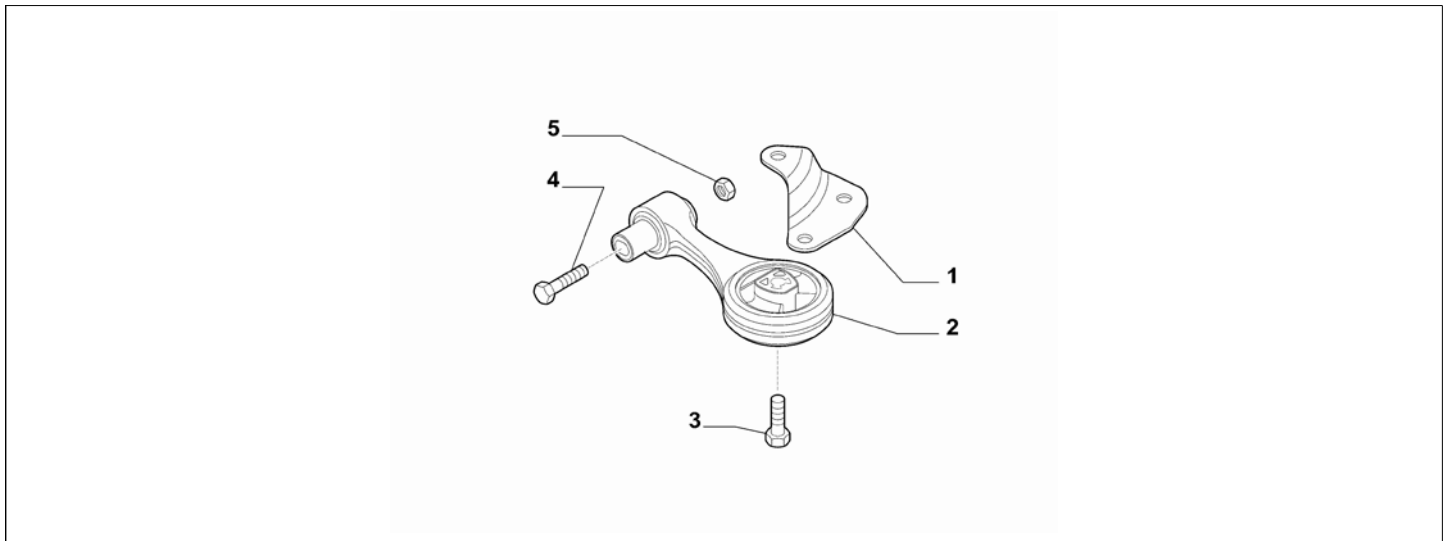
Catalogue	MITO 2013-2018	
Category	1.2 POWER PLANT SUSPENSIONS	
Var.	04	875CC
Rev.	00	



Part Num.	Description	Compatibility	Modif.	Qty	Notes	Col.	Reman.
1	51889974 PAD			1			
2	51889975 SUPPORT			1			
3	51894460 SCREW, M10			3			
4	811900442 NUT			1			
5	51839115 LOCK WASHER			1			
6	51921200 SCREW, M10X1,5X55			2			
7	55701888 SCREW AND WASHER ASSY, M12X1,75X80			2			

Legend	
875CC	HORSE POWER (MARKET):875

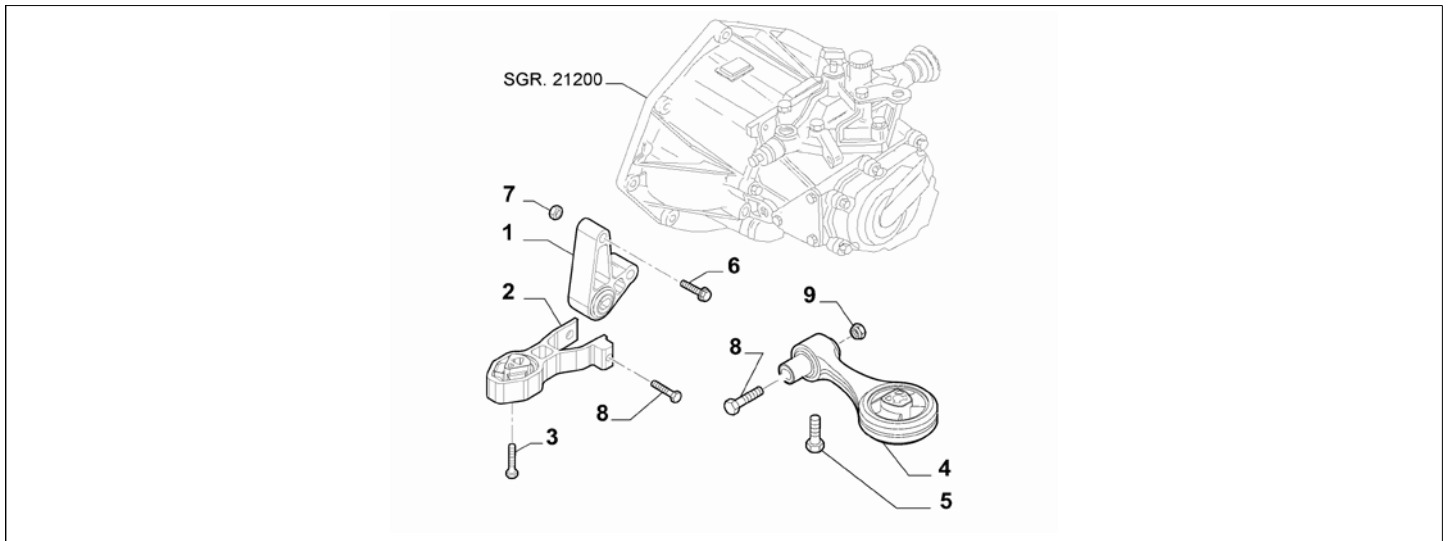
Catalogue	MITO 2013-2018	
Category	1.2 POWER PLANT SUSPENSIONS	
Var.	01	1.3D + PCC510
Rev.	00	



Part Num.	Description	Compatibility	Modif.	Qty	Notes	Col.	Reman.
1	55702835 SUPPORT			1			
2	55702836 ROD			1			
3	46814640 SCREW, M12X1,25X35			2			
4	55701512 SCREW, M12X1,75X130			1			
5	811900442 NUT, M12X1,75			1			

Legend	
1.3D	HORSE POWER (MARKET):
PCC510	GEARBOX DESIGN:MANUAL GEARBOX

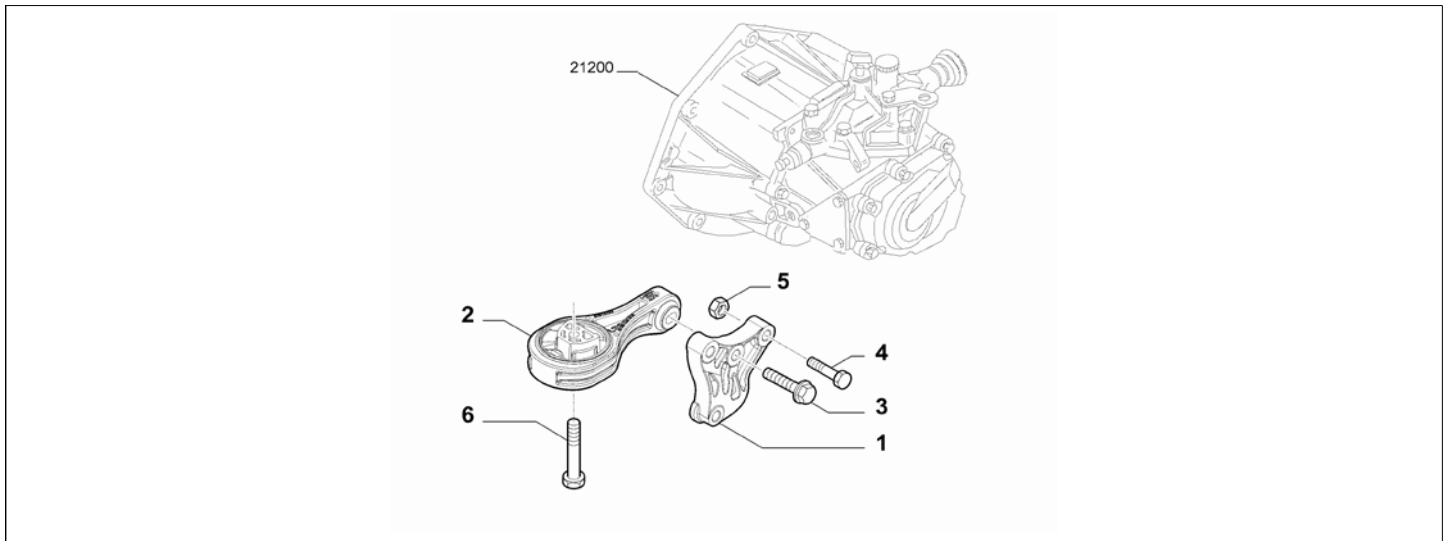
Catalogue	MITO 2013-2018	
Category	1.2 POWER PLANT SUSPENSIONS	
Var.	02	1.4
Rev.	00	



Part Num.	Description	Compatibility	Modif.	Qty	Notes	Col.	Reman.
1	55700439 SUPPORT	PCC514		1			
1	51794077 SUPPORT	120HP		1			
1	51838891 SUPPORT	135HP+PCC510		1			
1	50515485 SUPPORT	135HP+PCC635		1			
1	50515478 SUPPORT	PCC635+ITCT,		1			
2	55700441 ROD	PCC514		1			
2	50515486 ROD	PCC635		1			
3	55701888 SCREW AND WASHER ASSY, M12X1,75X80			2			
4	51794078 ROD	PCC510		1			
5	46814640 SCREW, M12X1,25X35	120HP		2			
5	46831165 SCREW AND WASHER ASSY	135HP+PCC510		2			
6	55701892 SCREW, M12X1,75X50	PCC635		3			
6	811900048 SCREW, M12X1,75X90	PCC514		2			
7	811900442 NUT, M12X1,75	PCC514		2			
7	811900442 NUT, M12X1,75	PCC635		1			
8	51794079 SCREW, M12X1,75X145	PCC510		1			
8	73503831 SCREW, M12X1,75X90	PCC635		1			
9	811900442 NUT, M12X1,75	PCC510		1			

Legend	
TCT	SPECIFIC GEARBOX
1.4	HORSE POWER (MARKET):1370
120HP	POWER:1.6 JTD EURO5 -1.4 FIRE TRB 120HP
135HP	POWER:1.4 FIRE 16V TURBO MULTIAIR 135 HP EURO 5
PCC510	GEARBOX DESIGN:MANUAL GEARBOX
PCC514	GEARBOX DESIGN:MANUAL GEARBOX
PCC635	GEARBOX DESIGN:GEARBOX 35 KGM

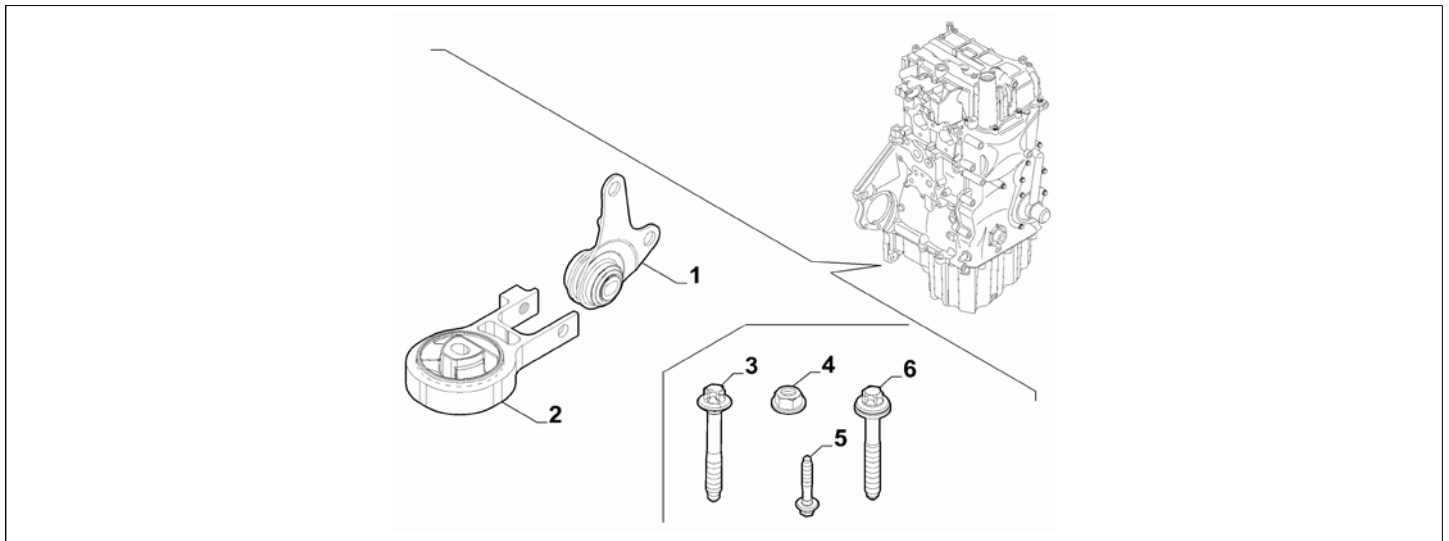
Catalogue	MITO 2013-2018	
Category	1.2 POWER PLANT SUSPENSIONS	
Var.	03	1.6D
Rev.	00	



Part Num.	Description	Compatibility	Modif.	Qty	Notes	Col.	Reman.
1	50515478 SUPPORT			1			
2	50515486 ROD			1			
3	55701892 SCREW, M12X1,75X50			3			
4	73503831 SCREW, M12X1,75X50			1			
5	811900442 NUT, M12X1,75			1			
6	55701888 SCREW AND WASHER ASSY, M12X1,75X80			1			

Legend	
1.6D	HORSE POWER (MARKET):1598

Catalogue	MITO 2013-2018	
Category	1.2 POWER PLANT SUSPENSIONS	
Var.	04	875CC
Rev.	00	



Part Num.	Description	Compatibility	Modif.	Qty	Notes	Col.	Reman.
1	51889976 SUPPORT			1			
2	51891460 ROD		C17078	1			
2	51937189 ROD		D17078	1			
3	811900047 SCREW, M12X1,75X80			1			
4	811900442 NUT, M12X1,75			2			
5	55701885 SCREW, M12X1,75X70			2			
6	55701888 SCREW AND WASHER ASSY, M12X1,75X80			1			

Legend	
875CC	HORSE POWER (MARKET):875
17078	New rod [DAT 22/11/2013]