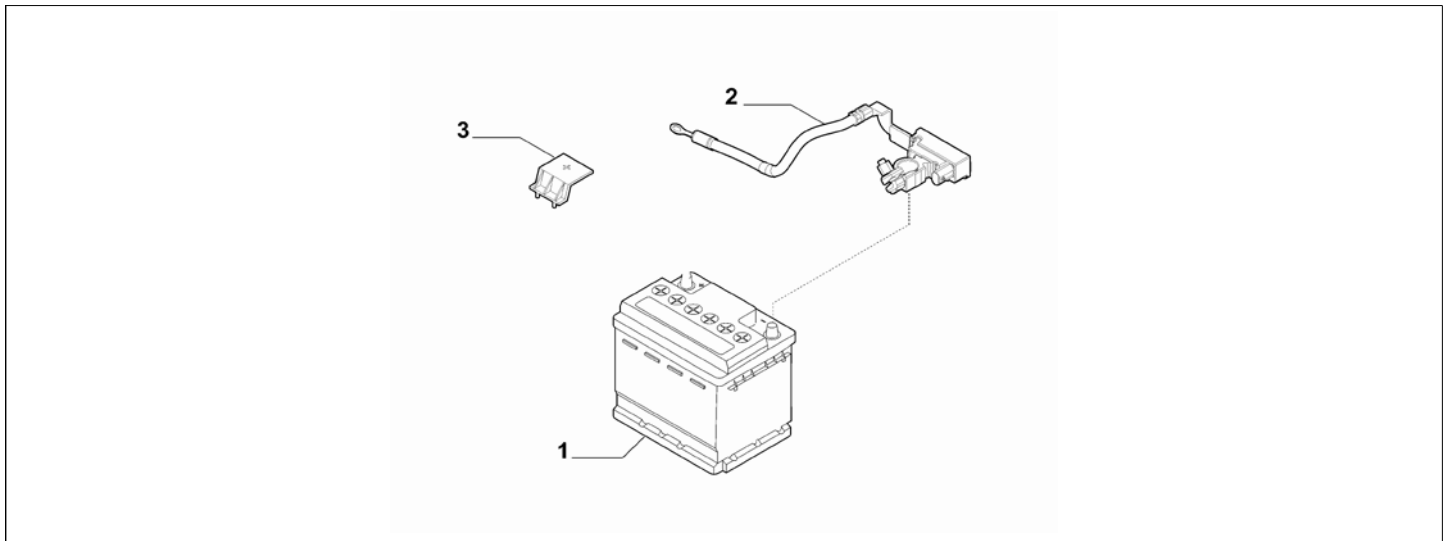


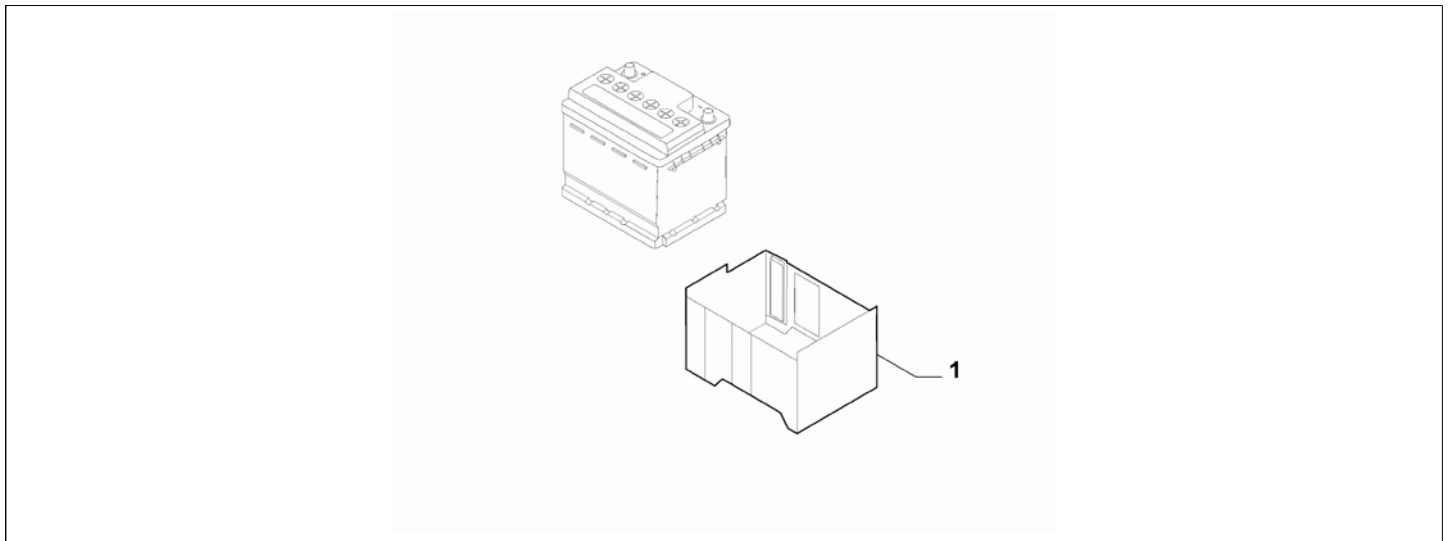
Catalogue	MITO 2013-2018	
Category	16.1 BATTERY	
Var.	01	
Rev.	00	



Part Num.	Description	Compatibility	Modif.	Qty	Notes	Col.	Reman.
1	6000627544	BATTERY, 50AH/420(EN)	!129+!S/S	1			
1	6000627546	BATTERY, 60AH/600 (EN)	129+!S/S	1			
1	71765419	BATTERY	1.6D	1			
1	6000628789	BATTERY	875CC, 1.3D, 1.4+S/S	1			
2	51962915	BRANCH CONTROL UNIT	S/S	1			
3	46835554	PROTECTION		1			

Legend	
129	ADAPTED FOR COLD COUNTRIES
S/S	STOP&START
875CC	HORSE POWER (MARKET):875
1.3D	HORSE POWER (MARKET):
1.4	HORSE POWER (MARKET):1370
1.6D	HORSE POWER (MARKET):1598

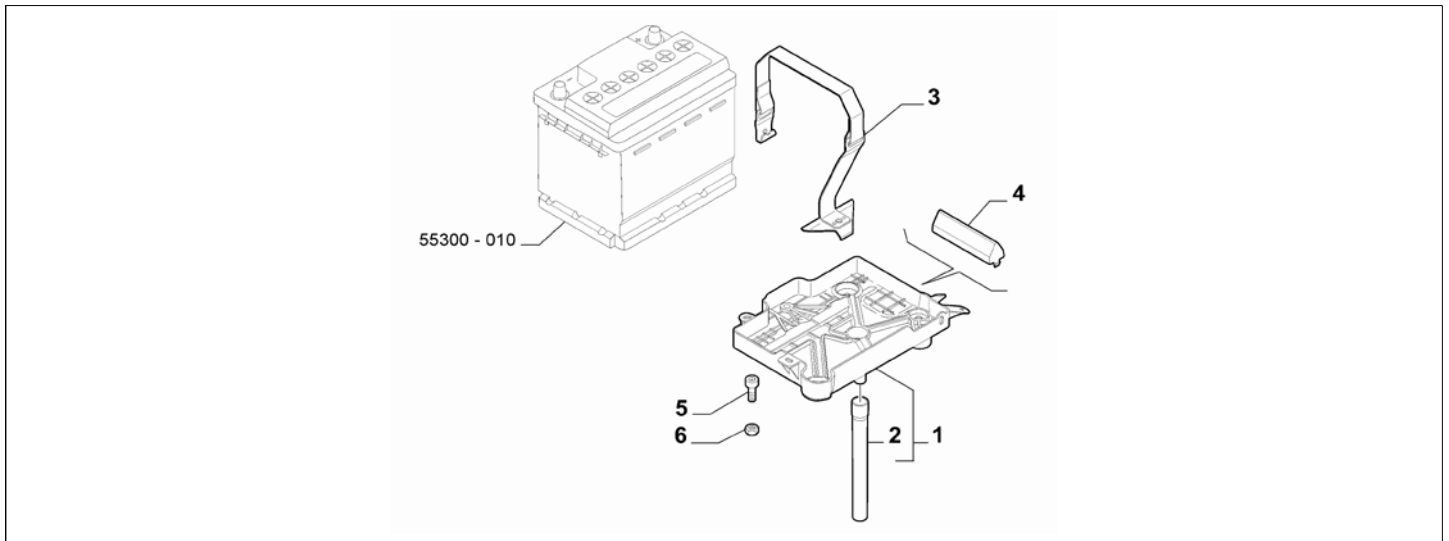
Catalogue	MITO 2013-2018	
Category	16.1 BATTERY	
Var.	01	
Rev.	00	



Part Num.	Description	Compatibility	Modif.	Qty	Notes	Col.	Reman.
1	51963838	PROTECTION	1.4+TURBO+14MJ	1			
1	51963839	PROTECTION	875CC	1			
1	51963839	PROTECTION	4MJ	1			

Legend	
4MJ	SPECIFIC FOR LIGHT TROPICAL MARKET
TURBO	(ASPIRATED/TURBO):TURBO
875CC	HORSE POWER (MARKET):875
1.4	HORSE POWER (MARKET):1370

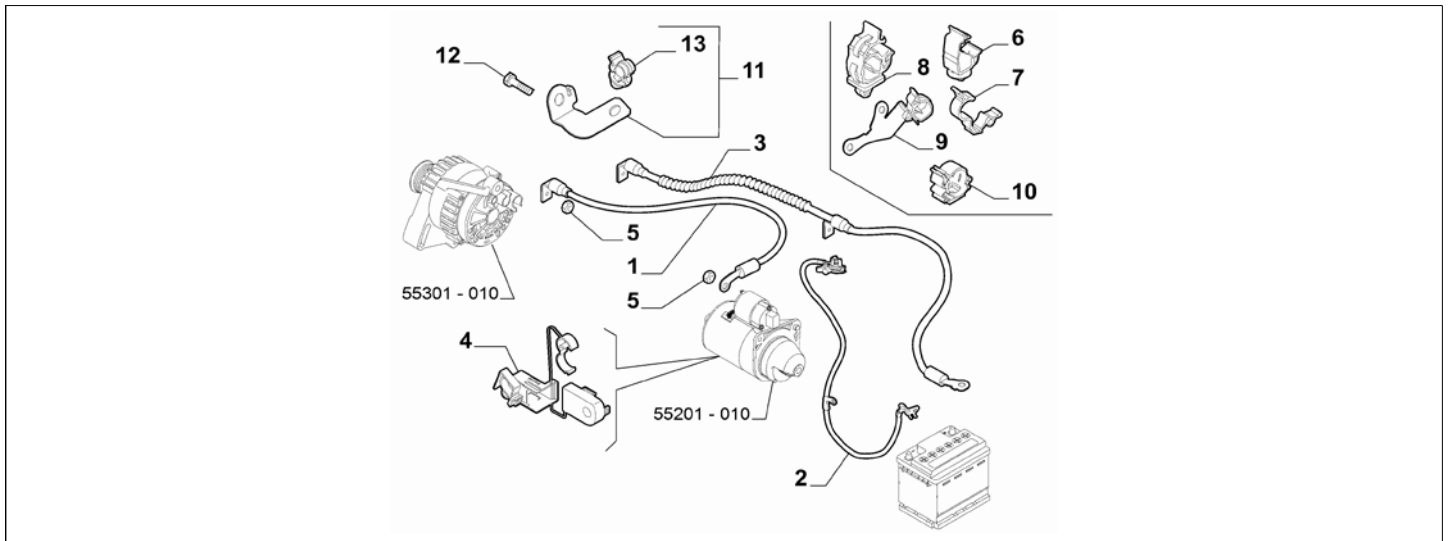
Catalogue	MITO 2013-2018	
Category	16.1 BATTERY	
Var.	01	
Rev.	00	



Part Num.	Description	Compatibility	Modif.	Qty	Notes	Col.	Reman.
1	51888056	CARRIER	16V+IS/S	1			
1	50518764	CARRIER	16V+S/S	1			
1	51888056	CARRIER	8V+IS/S	1			
1	50518764	CARRIER	1.4+8V+S/S	1			
1	50518764	CARRIER	875CC	1			
2	55703562	HOSE	!129+IS/S	1			
2	55703562	HOSE	129+IS/S	1			
2	50517256	HOSE	S/S	1			
3	50522764	BRACKET		1			
4	46791083	SPACER	1.4+!129	1			
4	46791083	SPACER	875CC+!129	1			
4	46791083	SPACER	1.3D+EURO6	1			
5	811900330	SCREW, M8X30	!129+IS/S	3			
5	811900330	SCREW, M8X30	129+IS/S	3			
5	15213334	SCREW, M8X35	S/S	3			
6	811900440	NUT, M8		1			

Legend	
129	ADAPTED FOR COLD COUNTRIES
S/S	STOP&START
875CC	HORSE POWER (MARKET):875
1.3D	HORSE POWER (MARKET):
1.4	HORSE POWER (MARKET):1370
EURO6	ECOLOGY:EURO 6
16V	TOTAL NUMBER OF VALVES:16 VALVES
8V	TOTAL NUMBER OF VALVES:8 VALVES

Catalogue	MITO 2013-2018	
Category	16.1 BATTERY	
Var.	01	
Rev.	00	



Part Num.	Description	Compatibility	Modif.	Qty	Notes	Col.	Reman.
1	50518050	ELECTRIC CABLE	1.6D	C21194	1		
1	51923916	ELECTRIC CABLE	875CC		1		
2	50521602	GROUND CABLE	1.4+120HP		1		
2	50517114	GROUND CABLE	70HP	C21194	1		
2	50522488	GROUND CABLE	1.3D		1		
2	50522483	GROUND CABLE	85HP, 105HP		1		
2	50522486	GROUND CABLE	135HP+TCT, 170HP+TCT		1		
2	50522483	GROUND CABLE	78HP+S/S		1		
2	50522484	GROUND CABLE	170HP+ITCT		1		
2	50522485	GROUND CABLE	135HP+ITCT		1		
2	50522487	GROUND CABLE	1.6D	C21194	1		
3	50514632	ELECTRIC CABLE	70HP	C21194	1		
3	50515934	ELECTRIC CABLE	78HP+S/S		1		
3	50515935	ELECTRIC CABLE	135HP+ITCT		1		
3	50515936	ELECTRIC CABLE	135HP+TCT		1		
3	50515936	ELECTRIC CABLE	170HP		1		
3	50521996	ELECTRIC CABLE	85HP, 105HP		1		
3	50521601	ELECTRIC CABLE	1.4+120HP		1		
3	50515938	ELECTRIC CABLE	1.3D		1		
3	50521435	ELECTRIC CABLE	1.6D	C21194	1		
4	51855380	SHIELD	1.3D		1		
4	46554401	SHIELD	875CC		1		
5	14076511	NUT, M8			1		
5	14075611	NUT, M5			1		
6	7759253	CLIP			1		
7	51790498	CLIP	1.3D, 1.4, 1.6D		1		
8	46817858	CLIP	1.6D		1		
9	51890539	BRACKET	170HP+EURO5		1		
10	51930556	CLIP	875CC		1		
11	50520127	BRACKET	1.6D+S/S		1		
12	16296921	SCREW, M6X15			1		
13	7723707	CLIP	S/S+1.6D		1		

Legend	
TCT	SPECIFIC GEARBOX

S/S	STOP&START
875CC	HORSE POWER (MARKET):875
1.3D	HORSE POWER (MARKET):
1.4	HORSE POWER (MARKET):1370
1.6D	HORSE POWER (MARKET):1598
EURO5	ECOLOGY:LIM.ECC PHASE 5
170HP	POWER:1.4 FIRE 16V TURBO MULTIAIR 170HP EURO 5
70HP	POWER:1.4 FIRE 8V 70HP EURO5-EURO6
78HP	POWER:1.4 FIRE 8V/16V 78HP EURO5
85HP	POWER:1.3 SDE 85HP EURO5
105HP	POWER:0.9 TWINAIR 105HP
120HP	POWER:1.6 JTD EURO5 -1.4 FIRE TRB 120HP
135HP	POWER:1.4 FIRE 16V TURBO MULTIAIR 135 HP EURO 5
21194	REMOVED CABLES [DAT 02/04/2017]