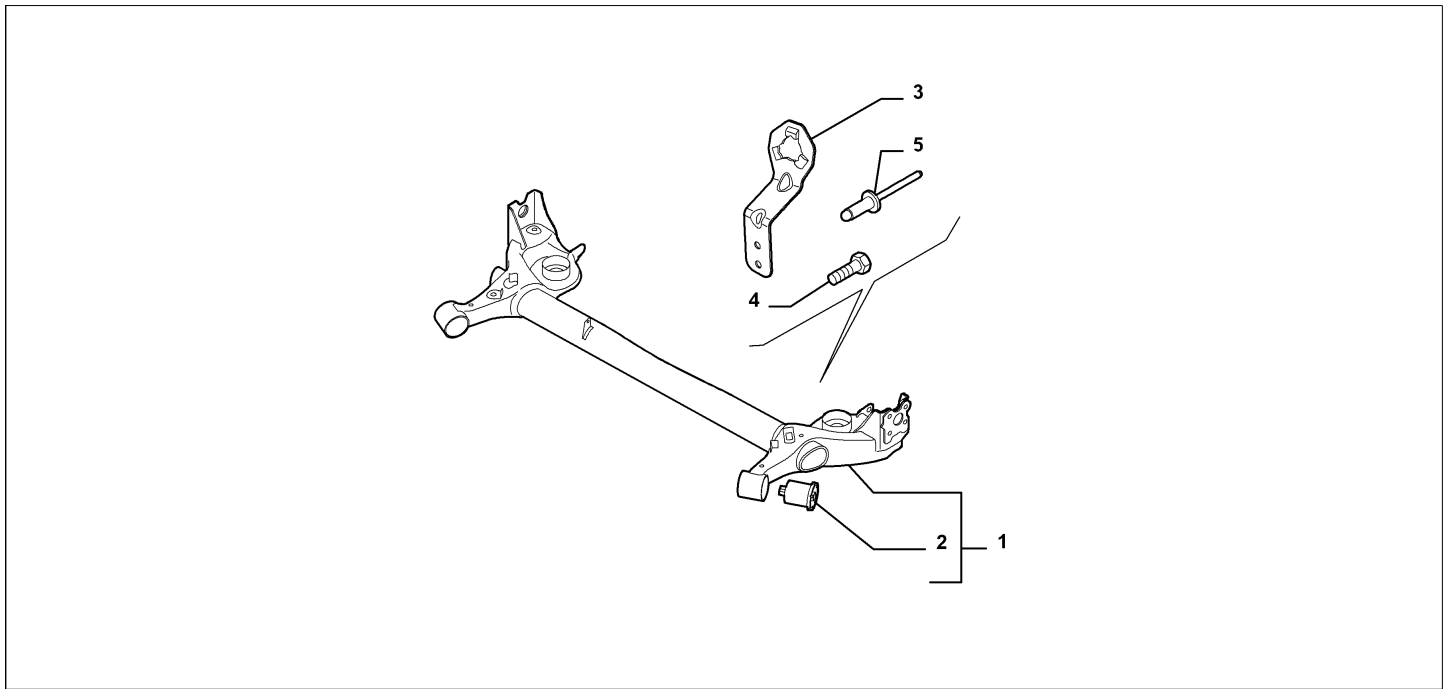
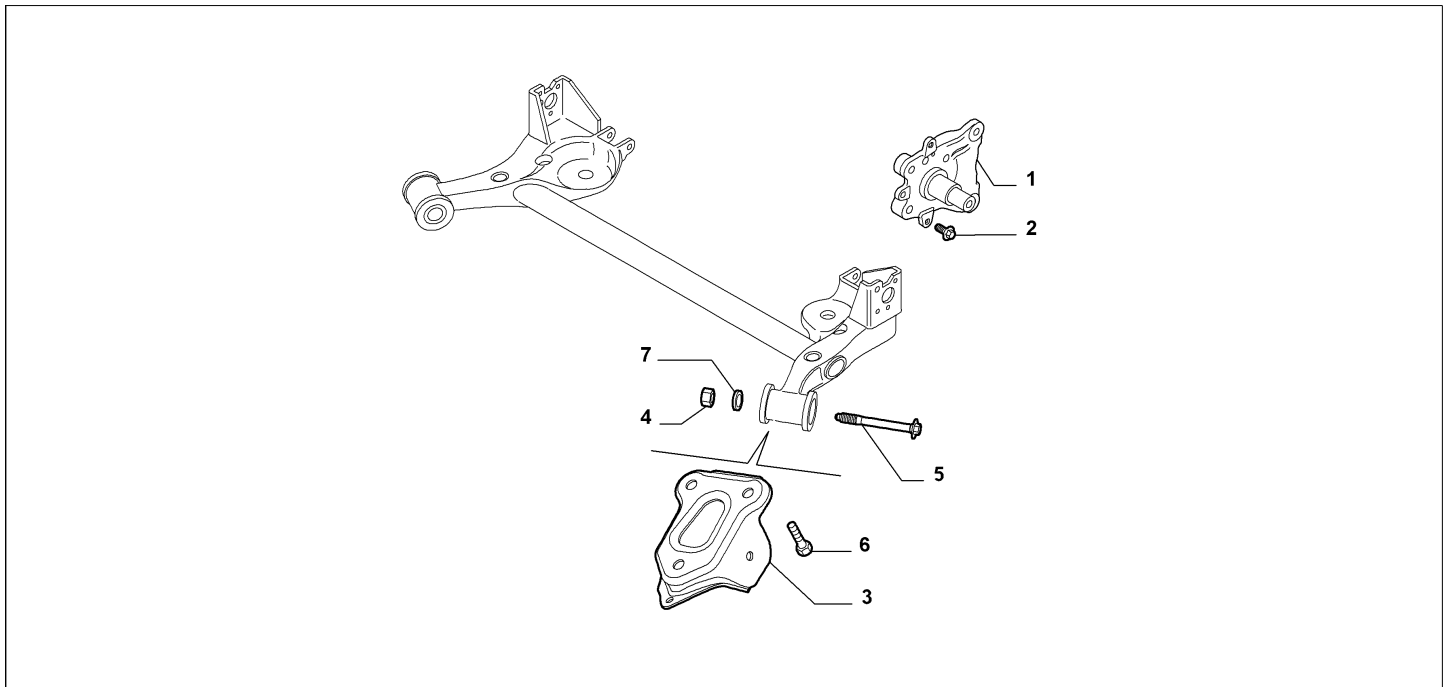


Catalogue	MITO 2013-2018	
Category	12.2 REAR SUSPENSION	
Var.	01	
Rev.	00	



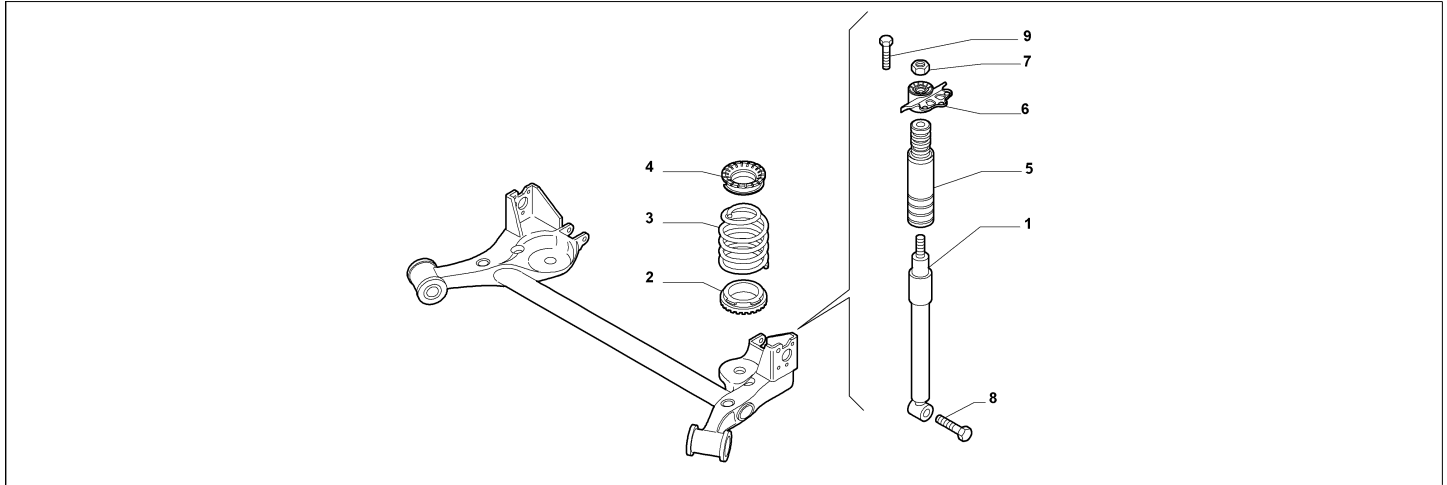
Part Num.	Description	Compatibility	Modif.	Qty	Notes	Col.	Reman.
1	51804555 FRAME			1			
2	51804552 RESILIENT BUSH			2			
3	51865485 BRACKET, RIGHT			1			
3	51865486 BRACKET, LEFT			1			
4	811900330 SCREW			2			
5	14642691 RIVET			6			

Catalogue	MITO 2013-2018	
Category	12.2 REAR SUSPENSION	
Var.	02	
Rev.	00	



Part Num.	Description	Compatibility	Modif.	Qty	Notes	Col.	Reman.
1	50511778 STEERING KNUCKLE, LEFT			1			
1	50511779 STEERING KNUCKLE, RIGHT			1			
2	55702024 SCREW			8			
3	55703447 BRACKET, LEFT			1			
3	55703448 BRACKET, RIGHT			1			
4	811900442 NUT			2			
5	55701512 SCREW			2			
6	55701536 SCREW			6			
7	14496724 PLANE WASHER			2			

Catalogue	MITO 2013-2018	
Category	12.2 REAR SUSPENSION	
Var.	01	
Rev.	00	



Part Num.	Description	Compatibility	Modif.	Qty	Notes	Col.	Reman.
1	50521274	SHOCK ABSORBER, RIGHT	1.4+TURBO+1002+1518, 1.6D		1		
1	50521023	SHOCK ABSORBER, RIGHT	NOTURBO		1		
1	50521023	SHOCK ABSORBER, RIGHT	1.3D		1		
1	50513819	SHOCK ABSORBER, RIGHT	002		1		
1	50521023	SHOCK ABSORBER, RIGHT	875CC+1518		1		
1	50531466	SHOCK ABSORBER, RIGHT	875CC+518		1		
1	50531466	SHOCK ABSORBER, RIGHT	1.4+518		1		
1	50513821	SHOCK ABSORBER, LEFT	002		1		
1	50521023	SHOCK ABSORBER, LEFT	NOTURBO		1		
1	50521023	SHOCK ABSORBER, LEFT	1.3D		1		
1	50521023	SHOCK ABSORBER, LEFT	875CC+1518		1		
1	50521274	SHOCK ABSORBER, LEFT	1.4+TURBO+1002+1518, 1.6D		1		
1	50531466	SHOCK ABSORBER, LEFT	875CC+518		1		
1	50531466	SHOCK ABSORBER, LEFT	1.4+518		1		
2	55703699	THRUST RING			2		
3	50546746	SPRING	+1518		2		
3	51800012	SPRING	518		2		
4	55700710	THRUST RING			2		
5	50508844	WICK	NOTURBO		2		
5	50508844	WICK	1.3D		2		
5	50513823	WICK	002		2		
5	50513823	WICK	1.4+TURBO+1002+1518, 1.6D		2		
5	50508844	WICK	875CC+1518		2		
5	50513823	WICK	875CC+518, 1.4+518		2		
6	51803172	PAD, RIGHT			1		
6	51803173	PAD, LEFT			1		
7	811900441	NUT			2		
8	811900047	SCREW			2		
9	55701536	SCREW			4		

Legend	
002	SUSPENSION WITH DAMPING CONTROL
518	RUSSIA KIT
NOTURBO	(ASPIRATED/TURBO):EXHAUST FAN
TURBO	(ASPIRATED/TURBO):TURBO
875CC	HORSE POWER (MARKET):875
1.3D	HORSE POWER (MARKET):
1.4	HORSE POWER (MARKET):1370
1.6D	HORSE POWER (MARKET):1598