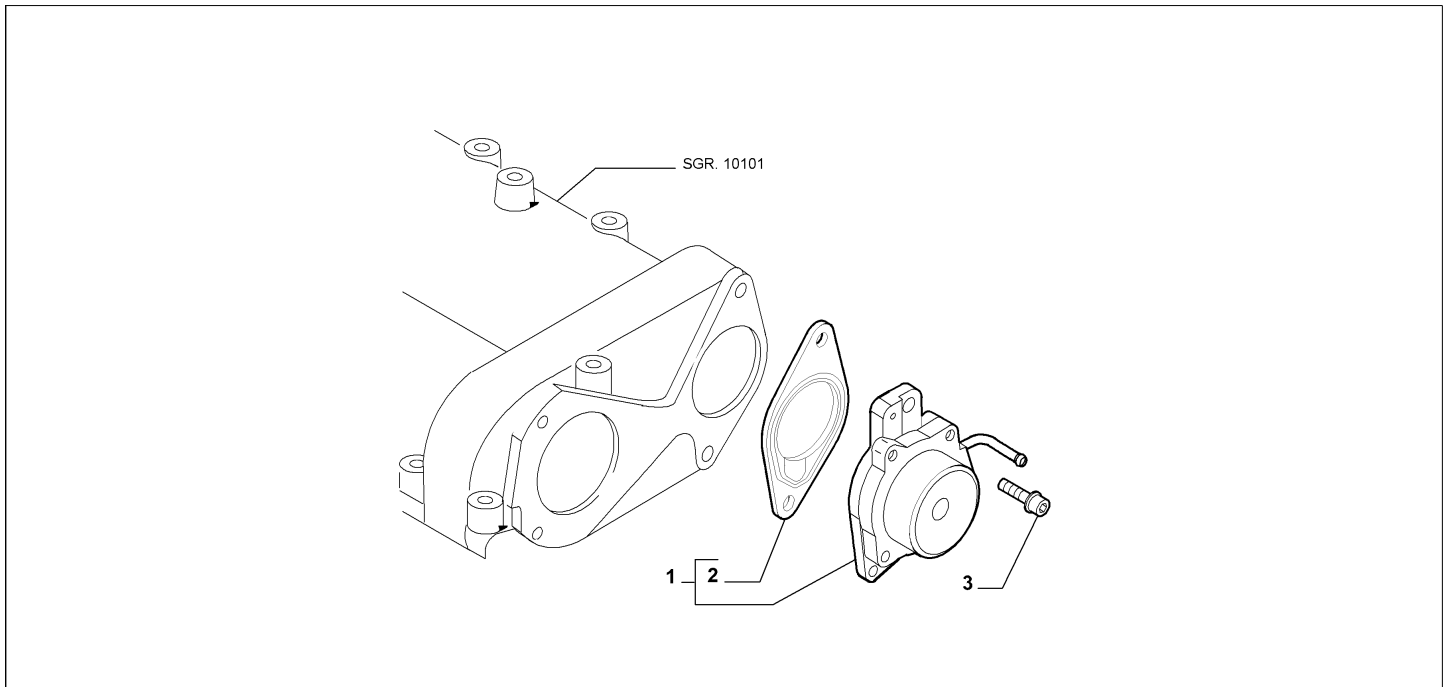


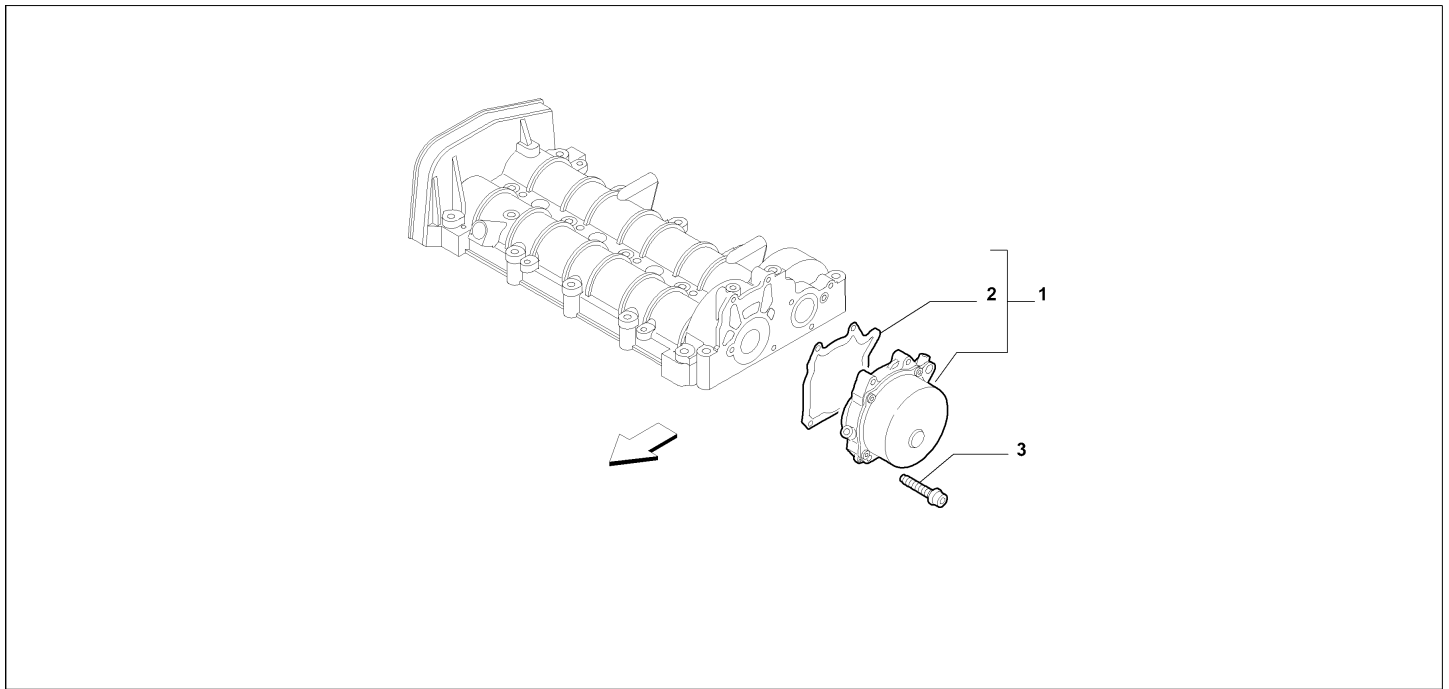
Catalogue	MITO 2011-2013	
Category	9.3 BRAKE VACUUM SYSTEM	
Var.	01	1.3D + DIESEL + (95HP, 85HP) + EURO5
Rev.	00	



Part Num.	Description	Compatibility	Modif.	Qty	Notes	Col.	Reman.
1	55268636 VACUUM PUMP, COMPL			01			
2	71778655 SEAL GASKET			01			
3	73502591 SCREW, M8X22			02			

Legend	
1.3D	HORSE POWER (MARKET):1.3
DIESEL	FUEL:DIESEL
EURO5	ECOLOGY:LIM.ECC PHASE 5
85HP	POWER:1.3 SDE 85HP EURO5
95HP	POWER:1.3 SDE 95HP EURO5

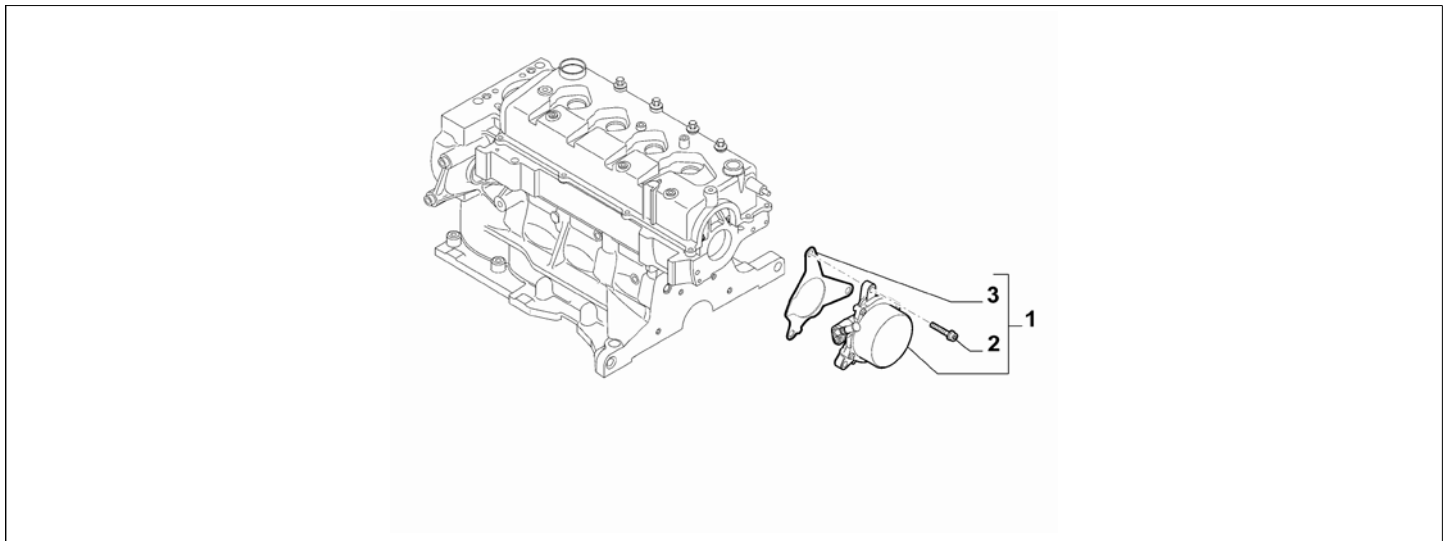
Catalogue	MITO 2011-2013	
Category	9.3 BRAKE VACUUM SYSTEM	
Var.	02	1.6D + DIESEL + 120HP
Rev.	00	



Part Num.	Description	Compatibility	Modif.	Qty	Notes	Col.	Reman.
1	55269802 VACUUM PUMP			01			
2	71779194 SEAL GASKET			01			
3	55184920 SCREW, M6X35			04			

Legend	
1.6D	HORSE POWER (MARKET):1598
DIESEL	FUEL:DIESEL
120HP	POWER:1.6 JTD EURO5 -1.4 FIRE TRB EURO4 120CV

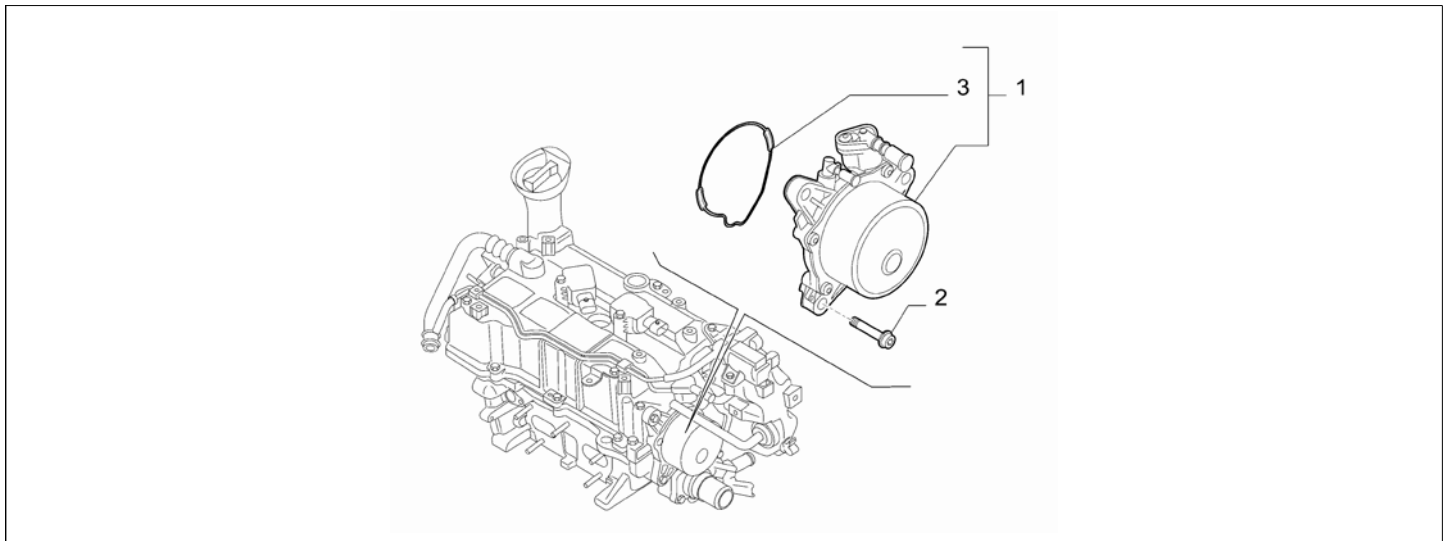
Catalogue	MITO 2011-2013	
Category	9.3 BRAKE VACUUM SYSTEM	
Var.	03	1.4 + 16V + (105HP, 135HP, 170HP)
Rev.	00	



Part Num.	Description	Compatibility	Modif.	Qty	Notes	Col.	Reman.
1	55221559 VACUUM PUMP			1			
2	73502574 SCREW AND WASHER ASSY			3			
3	55233645 SEAL GASKET			1			

Legend	
1.4	HORSE POWER (MARKET):1370
170HP	POWER:1.4 FIRE 16V TURBO MULTIAIR 170HP EURO 5
105HP	POWER:1.4 FIRE 16V MULTIAIR 105HP (EURO 5)
135HP	POWER:1.4 FIRE 16V TURBO MULTIAIR 135 HP EURO 5
16V	TOTAL NUMBER OF VALVES:16 VALVES

Catalogue	MITO 2011-2013	
Category	9.3 BRAKE VACUUM SYSTEM	
Var.	04	875CC + 85HP + TURBO + PETROL
Rev.	00	



Part Num.	Description	Compatibility	Modif.	Qty	Notes	Col.	Reman.
1	55268125 VACUUM PUMP			1			
2	73502574 SCREW AND WASHER ASSY			3			
3	71769211 SEAL GASKET			1			

Legend	
TURBO	(ASPIRATED/TURBO):TURBO
875CC	HORSE POWER (MARKET):875
PETROL	FUEL:PETROL
85HP	POWER:1.3 SDE 85HP EURO5