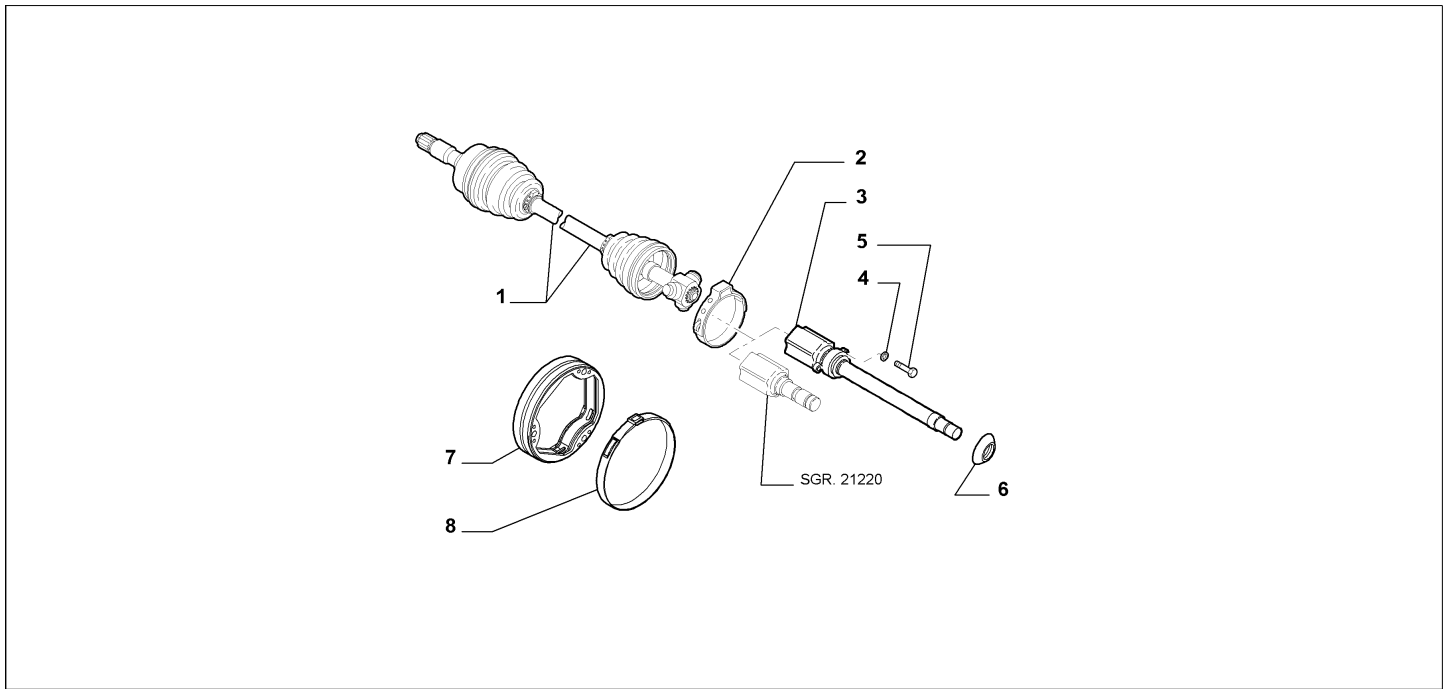


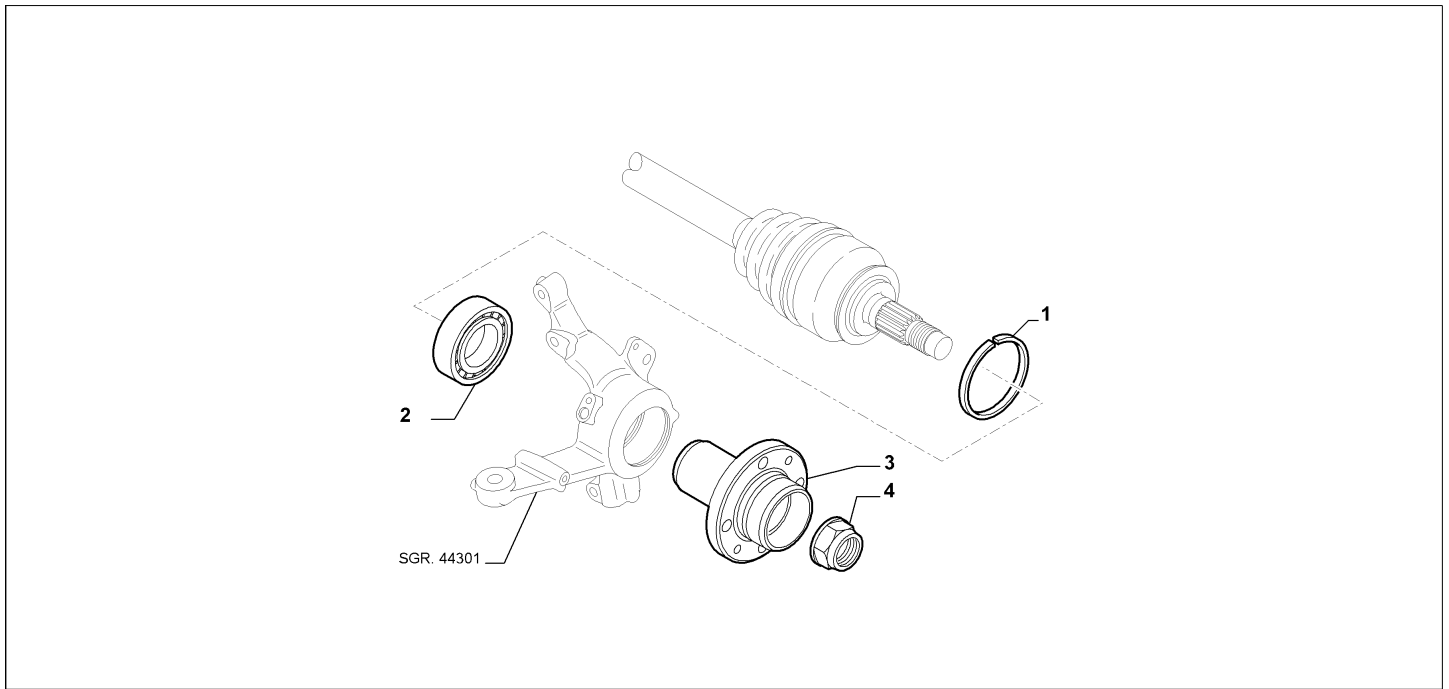
Catalogue	MITO 2011-2013	
Category	8.2 AXLE SHAFTS	
Var.	01	
Rev.	00	



Part Num.	Description	Compatibility	Modif.	Qty	Notes	Col.	Reman.
1	50515474	SHAFT	1.4+PCC635+ITCT, 1.6D		2		
1	50515480	SHAFT, RIGHT	TCT		1		71794372
1	50517838	SHAFT	1.4+PCC510		2		71794369
1	51807675	SHAFT, RIGHT	105HP		1		
1	51827229	SHAFT, RIGHT	1.3D		1		
1	55700559	SHAFT, RIGHT	70HP, 78HP		1		71791082
1	50515481	SHAFT, LEFT	TCT		1		71794375
1	51807676	SHAFT, LEFT	105HP		1		
1	51827230	SHAFT, LEFT	1.3D		1		
1	55700562	SHAFT, LEFT	70HP, 78HP		1		71791285
1	51905706	SHAFT, RIGHT	875CC		1		
1	51905707	SHAFT, LEFT	875CC	C15913	1		
1	51927069	SHAFT, LEFT	875CC	D15913	1		
2	51794549	COLLAR	PCC510		2		
2	13435408	COLLAR	NOTURBO		2		
2	13435408	COLLAR	875CC		2		
3	55207526	SHAFT, RIGHT	1.4+PCC510		1		
3	55209968	SHAFT, RIGHT	1.3D		1		
3	55214684	SHAFT, RIGHT	PCC635+ITCT		1		
3	55228822	SHAFT, RIGHT	TCT		1		
4	14499401	PLANE WASHER	1.6D		3		
4	14499401	PLANE WASHER	1.4+PCC635		3		
4	11194379	LOCK WASHER	PCC510		3		
5	14306824	SCREW	1.6D		3		
5	14359324	SCREW	1.4+PCC635		3		
5	10903624	SCREW	PCC510		3		
6	46527403	PROTECTION, RIGHT	PCC510		1		
7	46308572	ADAPTER	1.4+PCC635, 1.6D		2		
8	46308573	COLLAR	1.4+PCC635, 1.6D		2		

Legend	
TCT	SPECIFIC GEARBOX
NOTURBO	(ASPIRATED/TURBO):EXHAUST FAN
875CC	HORSE POWER (MARKET):875
1.3D	HORSE POWER (MARKET):1.3
1.4	HORSE POWER (MARKET):1370
1.6D	HORSE POWER (MARKET):1598
70HP	POWER:1.4 FIRE 8V 70HP EURO5
78HP	POWER:1.4 FIRE 8V/16V 78HP EURO5
105HP	POWER:1.4 FIRE 16V MULTIAIR 105HP (EURO 5)
PCC510	GEARBOX DESIGN:GEARBOX
PCC635	GEARBOX DESIGN:GEARBOX 35 KGM
15913	ADOPTION OF NEW LEFT DRIVESHAFT WITH DAMPING MASS [DAT 24/08/2012]

Catalogue	MITO 2011-2013	
Category	8.2 AXLE SHAFTS	
Var.	01	
Rev.	00	



Part Num.	Description	Compatibility	Modif.	Qty	Notes	Col.	Reman.
1	7669120 LOCKRING			2			
2	71745046 BEARING	NOTURBO		2			
2	71745047 BEARING	1.3D, 1.4+TURBO, 1.6D		2			
2	71745046 BEARING	875CC		2			
3	51881464 HUB	NOTURBO		2			
3	51881465 HUB	1.3D, 1.4+TURBO, 1.6D		2			
3	51881464 HUB	875CC		2			
4	46541344 NUT	1.4+TURBO		2			
4	46541344 NUT	1.3D, 1.6D		2			
4	7759428 NUT	NOTURBO		2			
4	7759428 NUT	875CC		2			

Legend	
NOTURBO	(ASPIRATED/TURBO):EXHAUST FAN
TURBO	(ASPIRATED/TURBO):TURBO
875CC	HORSE POWER (MARKET):875
1.3D	HORSE POWER (MARKET):1.3
1.4	HORSE POWER (MARKET):1370
1.6D	HORSE POWER (MARKET):1598