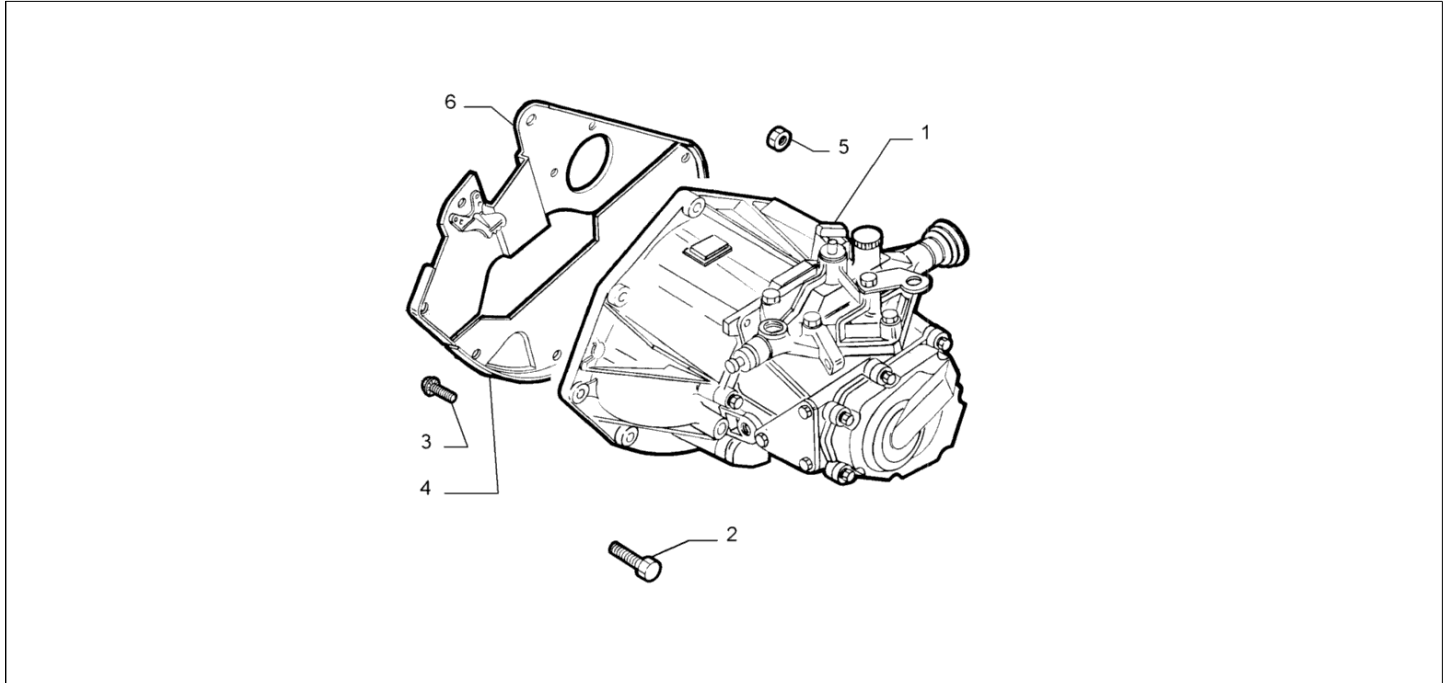


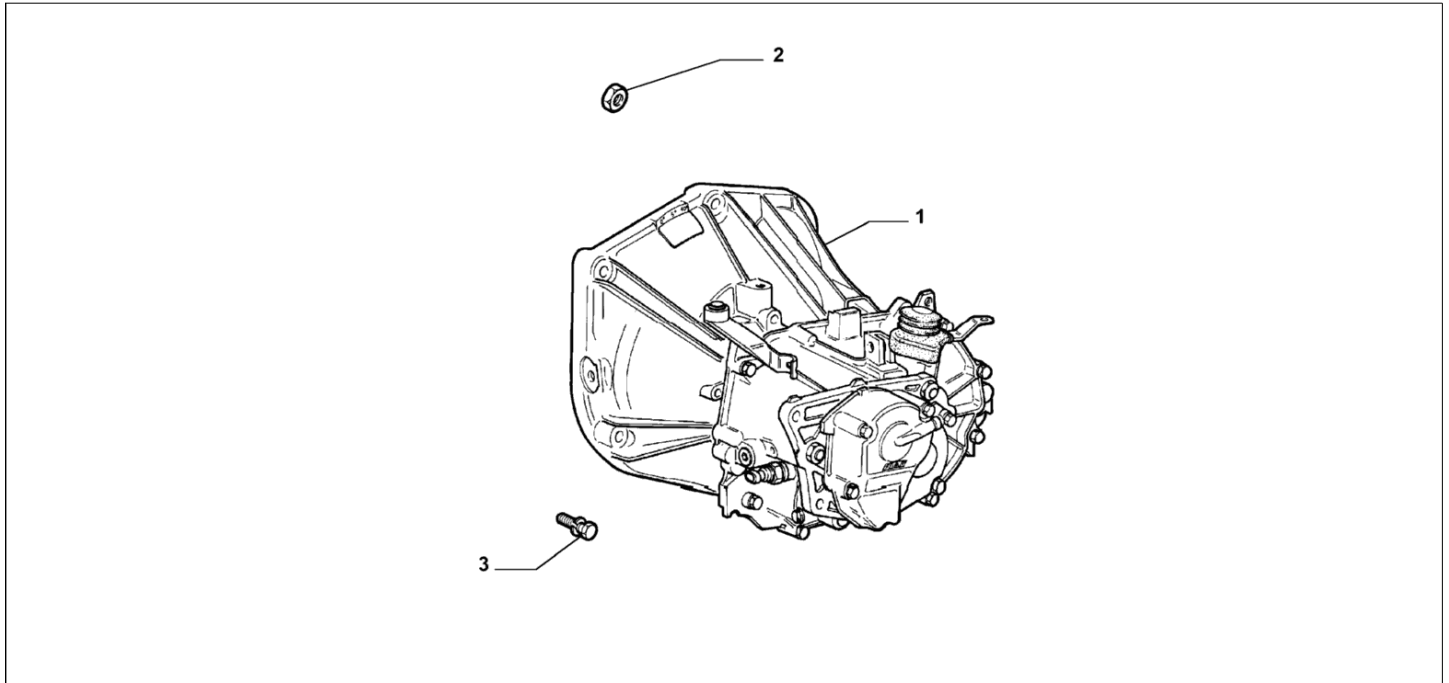
Catalogue	MITO 2011-2013	
Category	7.1 TRANSMISSION	
Var.	01	1.4 + PETROL + PCC514 + (70HP, 78HP, 105HP)
Rev.	00	



Part Num.	Description	Compatibility	Modif.	Qty	Notes	Col.	Reman.
1	55205268	TRANSMISSION AND DIFF	I005	C15590	01		71791010
1	55239945	TRANSMISSION AND DIFF	I005	D15990	01		71794929
1	55231969	TRANSMISSION AND DIFF	005	C15990	01		71724926
1	55239901	TRANSMISSION AND DIFF	005	D15990	01		71794904
1	55248144	TRANSMISSION AND DIFF	005	D15990	01		71794905
2	55198572	SCREW, M12X1, 25X65	16V		03		
2	16289121	SCREW	16V		02		
2	55198572	SCREW	8V		01		
3	16285924	SCREW	16V		02		
3	55208833	SCREW	16V		01		
3	16285924	SCREW	8V		01		
3	16288421	SCREW	8V		01		
4	55181631	COVER	16V		01		
4	55181632	COVER	8V		01		
5	55169041	NUT	16V		01		
5	55196041	NUT	8V		03		
6	7785269	PROTECTION			01		

Legend	
1.4	HORSE POWER (MARKET):1370
PETROL	FUEL:PETROL
70HP	POWER:1.4 FIRE 8V 70HP EURO5
78HP	POWER:1.4 FIRE 8V/16V 78HP EURO5
105HP	POWER:1.4 FIRE 16V MULTIAIR 105HP (EURO 5)
PCC514	GEARBOX DESIGN:GEARBOX
005	5-SPEED GEARBOX

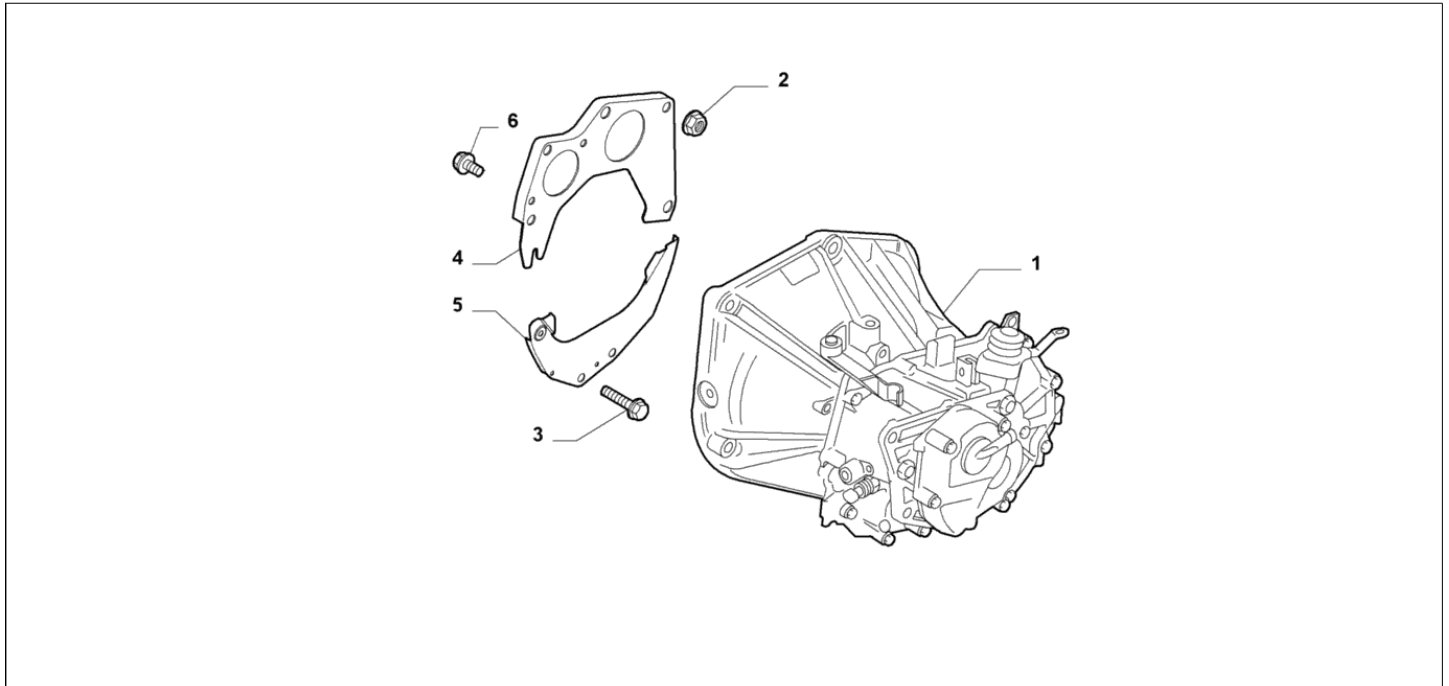
Catalogue	MITO 2011-2013	
Category	7.1 TRANSMISSION	
Var.	02	1.3D + DIESEL + PCC510 + (95HP, 85HP)
Rev.	00	



Part Num.	Description	Compatibility	Modif.	Qty	Notes	Col.	Reman.
1	55219868	TRANSMISSION AND DIFF	95HP + 15KQ				71724474
1	55231427	TRANSMISSION AND DIFF	95HP + 5KQ				71724476
1	71773200	TRANSMISSION AND DIFF	85HP + 15KQ				71795681
2	55196041	NUT					
3	55198571	SCREW, M12X100					
3	16289121	SCREW, M10X60					
3	55198572	SCREW, M12X65					

Legend	
1.3D	HORSE POWER (MARKET):1.3
DIESEL	FUEL:DIESEL
5KQ	ECO KIT 1
85HP	POWER:1.3 SDE 85HP EURO5
95HP	POWER:95HP
PCC510	GEARBOX DESIGN:GEARBOX

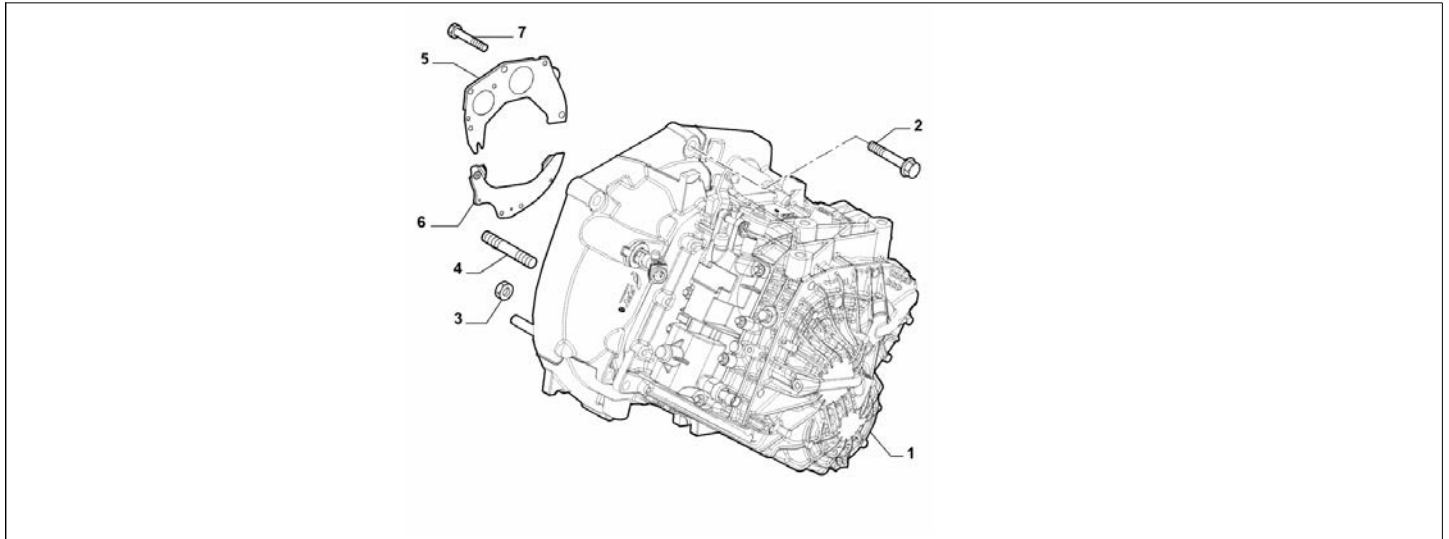
Catalogue	MITO 2011-2013	
Category	7.1 TRANSMISSION	
Var.	03	1.4 + PETROL + PCC510 + (120HP, 135HP)
Rev.	00	



Part Num.	Description	Compatibility	Modif.	Qty	Notes	Col.	Reman.
1	55212671	TRANSMISSION AND DIFF	120HP				71792733
1	55225905	TRANSMISSION AND DIFF	135HP				71724478
2	55196041	NUT, M12					
3	55209201	SCREW, M12X120					
3	55198572	SCREW, M12X65					
3	16288821	SCREW, M10X45					
4	55213802	PROTECTION					
5	55213803	COVER					
6	16285924	SCREW					
6	55208833	SCREW					

Legend	
1.4	HORSE POWER (MARKET):1370
PETROL	FUEL:PETROL
120HP	POWER:120HP
135HP	POWER:1.4 FIRE 16V TURBO MULTIAIR 135 HP EURO 5
PCC510	GEARBOX DESIGN:GEARBOX

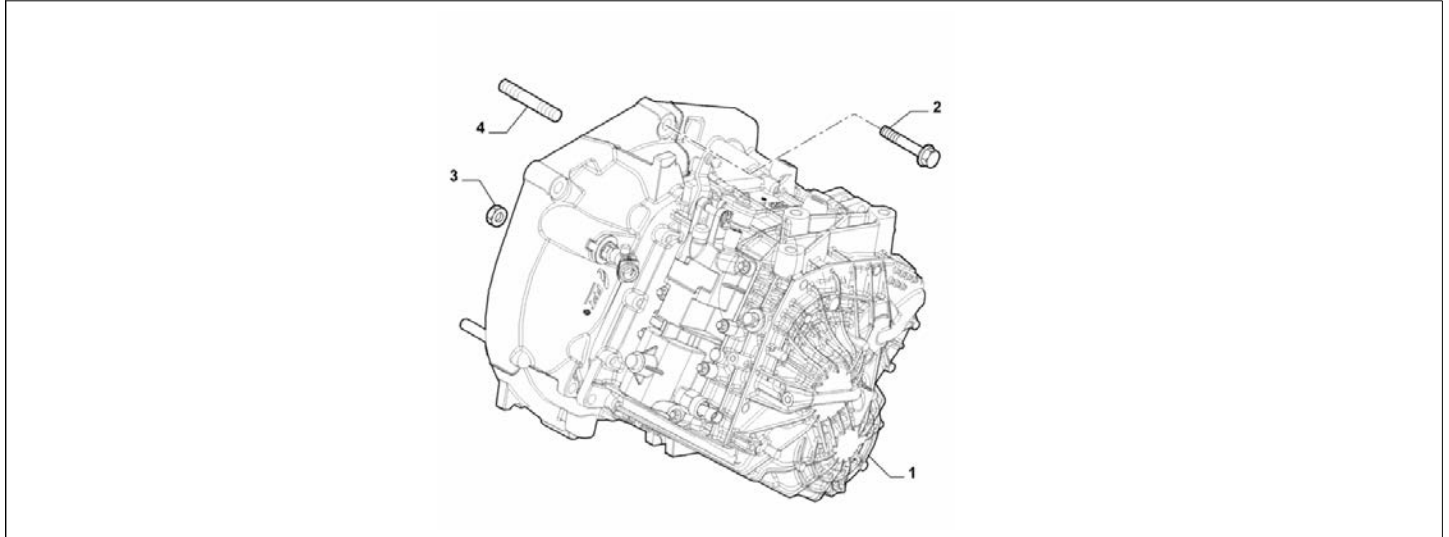
Catalogue	MITO 2011-2013	
Category	7.1 TRANSMISSION	
Var.	04	1.4 + PETROL + 170HP + PCC635
Rev.	00	



Part Num.	Description	Compatibility	Modif.	Qty	Notes	Col.	Reman.
1	55235815	TRANSMISSION AND DIFF	C15104	01			71795733
1	55239621	TRANSMISSION AND DIFF	D15104	01			71724416
2	55198572	SCREW, M12X1.25X65		02			
2	55227969	SCREW		02			
2	55225086	SCREW		01			
3	55196041	NUT, M12X1.25		01			
4	13591921	STUD, M12X1.25		01			
5	55223054	PROTECTION		01			
6	55223055	COVER		01			
7	16285924	SCREW		03			
7	55208833	SCREW		01			

Legend	
1.4	HORSE POWER (MARKET):1370
PETROL	FUEL:PETROL
170HP	POWER:1.4 FIRE 16V TURBO MULTIAIR 170HP EURO 5
PCC635	GEARBOX DESIGN:GEARBOX 35 KGM
C15104/D15104	New synchroniser rings and sleeves: Tel 1159078, 1166911, 1174831

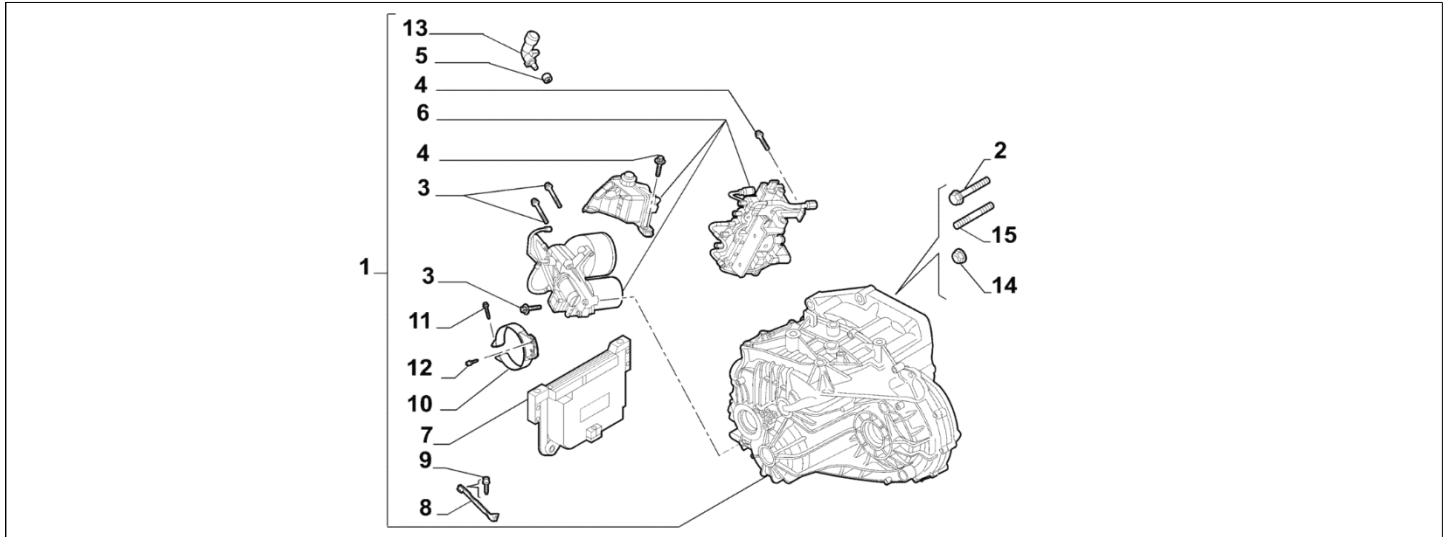
Catalogue	MITO 2011-2013	
Category	7.1 TRANSMISSION	
Var.	05	1.6D + DIESEL + 120HP + PCC635
Rev.	00	



Part Num.	Description	Compatibility	Modif.	Qty	Notes	Col.	Reman.
1	55231321	TRANSMISSION AND DIFF	C15104	01			
1	55239627	TRANSMISSION AND DIFF	D15104	01			
2	55198572	SCREW, M12X1.25X65		02			
2	16289121	SCREW, M10X1.25X60		02			
3	55196041	NUT, M12X1.25		02			
4	13591921	STUD, M12X1.25X24X60		02			

Legend	
1.6D	HORSE POWER (MARKET):1598
DIESEL	FUEL:DIESEL
120HP	POWER:120HP
PCC635	GEARBOX DESIGN:GEARBOX 35 KGM
C15104/D15104	New synchroniser rings and sleeves: Tel 1159078, 1166911, 1174831

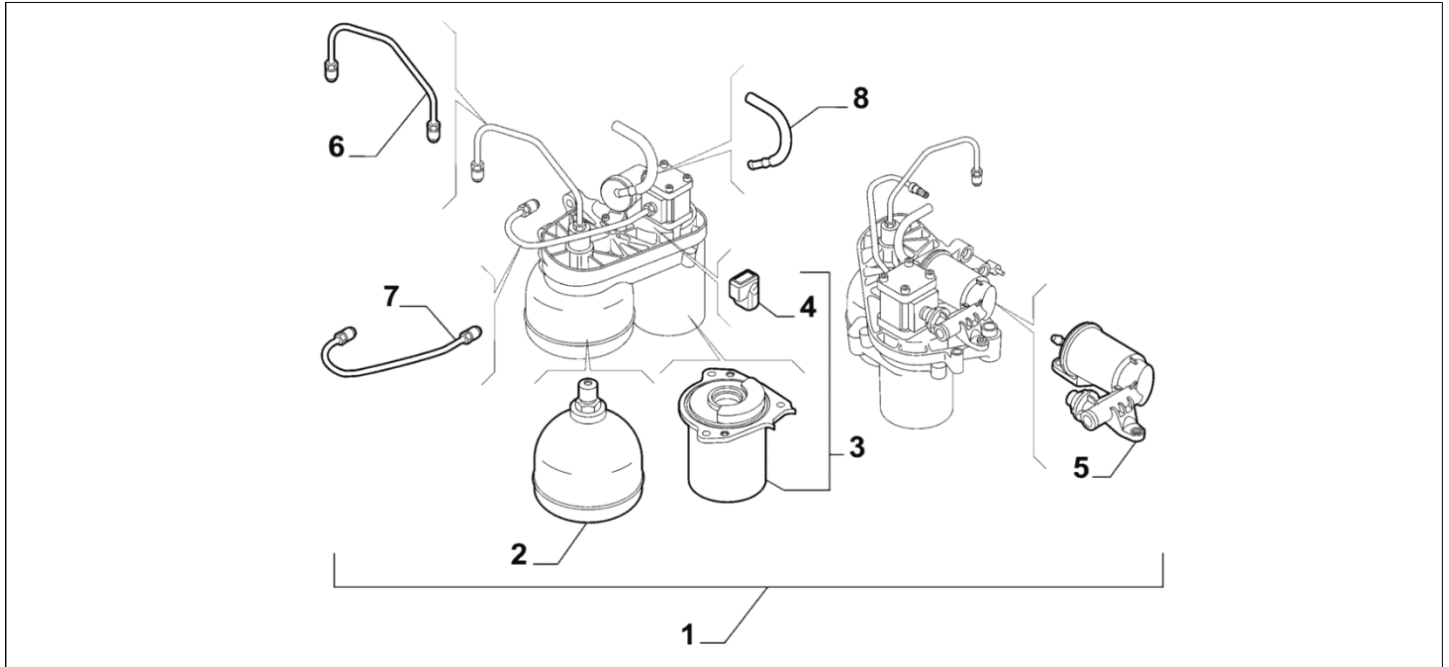
Catalogue	MITO 2011-2013	
Category	7.1 TRANSMISSION	
Var.	06	1.4 + PETROL + 135HP + TCT
Rev.	00	



Part Num.	Description	Compatibility	Modif.	Qty	Notes	Col.	Reman.
1	55234681	TRANSMISSION AND DIFF		01			71724936
2	55227968	SCREW, M12X50		01			
2	55227969	SCREW, M10X45		01			
2	16290721	SCREW, M12X1.25X80		01			
3	55215535	SCREW, M8		03			
4	73500179	SCREW, M8X30		08			
5	55207598	PLUG		01			
6	55234499	ACTUATOR	C15850	01			
6	55242029	ACTUATOR	D15850	01			
7	51890610	ELECTRONIC CONTROL UNIT	C15577	01			
7	51890610	ELECTRONIC CONTROL UNIT	D15577	01			
8	55232044	BRACKET		01			
9	55189543	SCREW AND WASHER ASSY		01			
10	55239362	BRACKET		01			
11	55240544	SCREW		01			
12	55246635	SCREW		02			
13	55241550	VENT PIPE		01			
14	55196041	NUT		02			
15	13591921	STUD		02			

Legend	
TCT	SPECIFIC GEARBOX
1.4	HORSE POWER (MARKET):1370
PETROL	FUEL:PETROL
135HP	POWER:1.4 FIRE 16V TURBO MULTIAIR 135 HP EURO 5
C15850/D15850	New actuation assembly (CAS): CAM 396038, DAT 13/4/2012
C15577/D15577	New gearbox with new control unit and new engine management unit DAT 25/10/2011 Tel 1179814

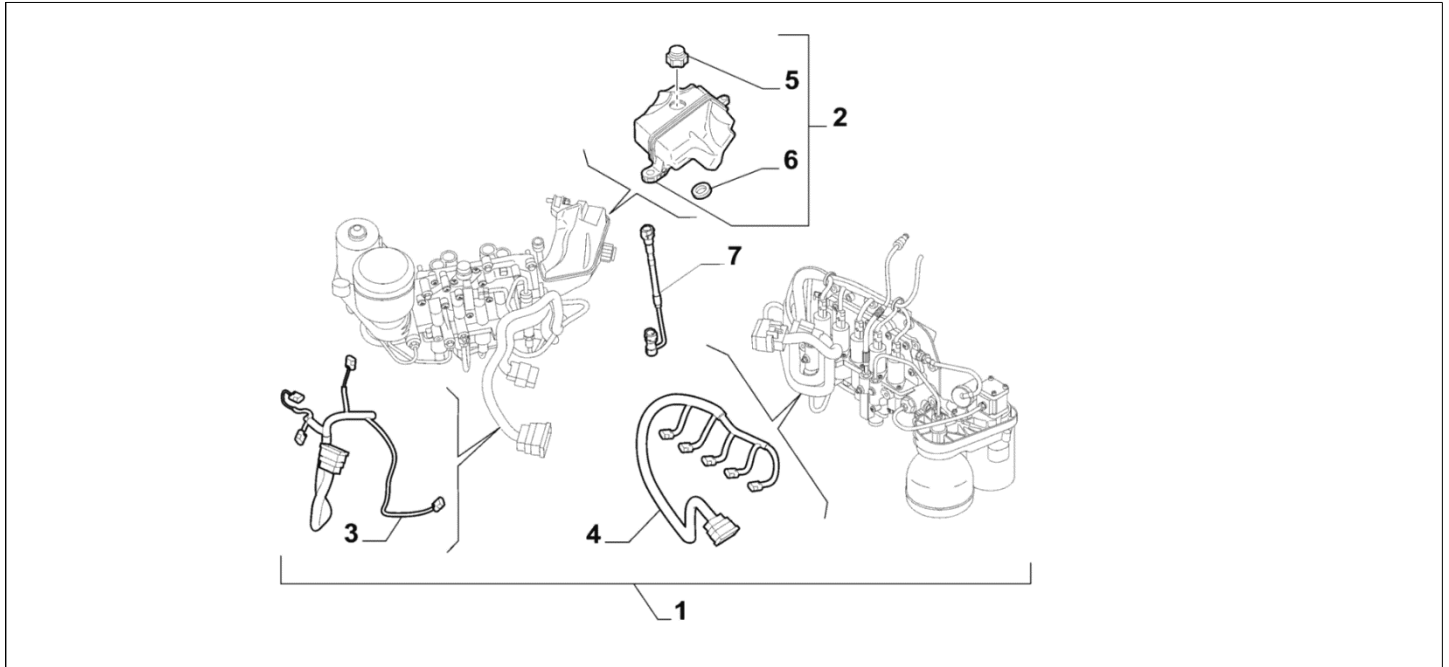
Catalogue	MITO 2011-2013	
Category	7.1 TRANSMISSION	
Var.	06.1	1.4 + PETROL + 135HP + TCT
Rev.	00	



Part Num.	Description	Compatibility	Modif.	Qty	Notes	Col.	Reman.
1	71769627 VESSEL			01			
2	71771103 HYDRAULIC ACCUMULATOR			01			
3	71769629 ELECTRIC MOTOR			01			
4	71771104 COUPLING			01			
5	71769628 FILTER			01			
6	55232046 PIPE			01			
7	55232045 PIPE			01			
8	55226110 HOSE			01			

Legend	
TCT	SPECIFIC GEARBOX
1.4	HORSE POWER (MARKET):1370
PETROL	FUEL:PETROL
135HP	POWER:1.4 FIRE 16V TURBO MULTIAIR 135 HP EURO 5

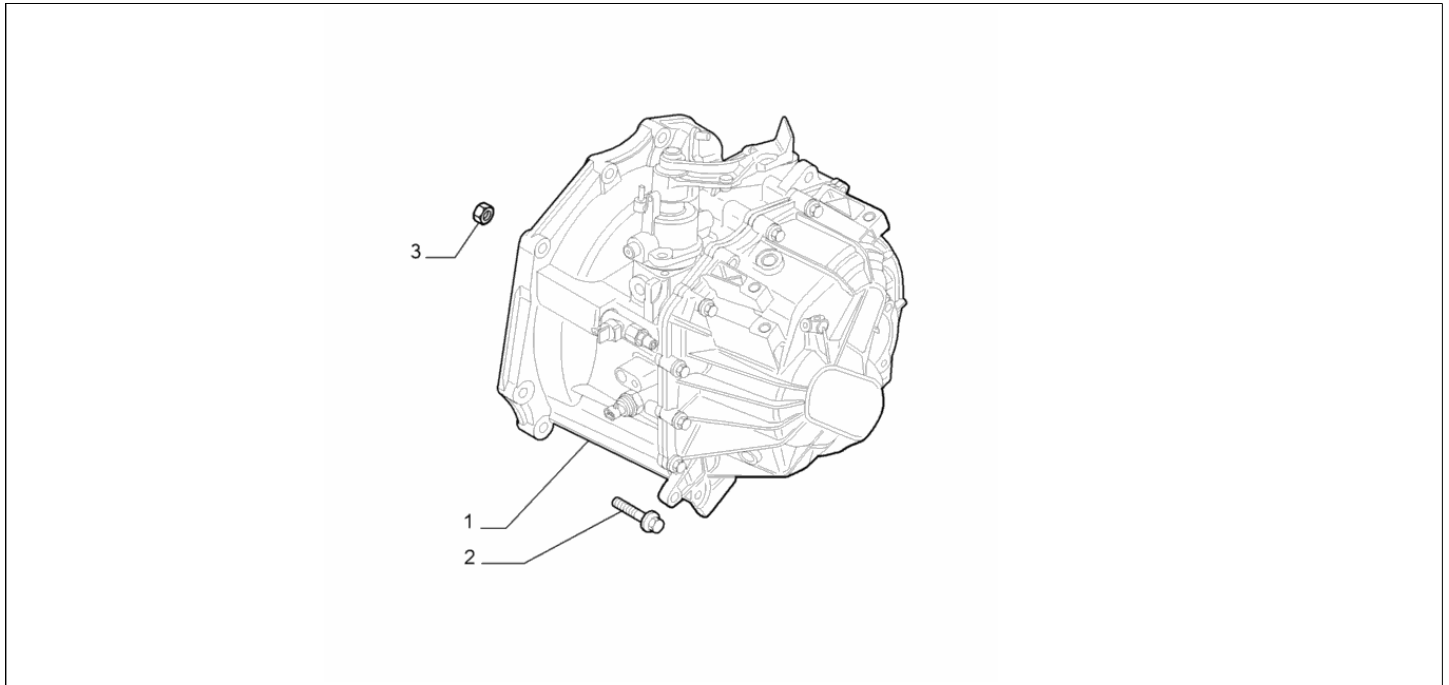
Catalogue	MITO 2011-2013	
Category	7.1 TRANSMISSION	
Var.	06.2	1.4 + PETROL + 135HP + TCT
Rev.	00	



Part Num.	Description	Compatibility	Modif.	Qty	Notes	Col.	Reman.
1	55234499 ACTUATOR		C15850	01			
1	55242029 ACTUATOR		D15850	01			
2	71775404 OIL TANK			01			
3	71769632 CABLE HARNESS		C15850	03			
3	71771107 CABLE HARNESS		D15850	03			
4	71769631 CABLE HARNESS		C15850	08			
4	71771097 CABLE HARNESS		D15850	08			
5	71779432 TANK			01			
6	71771965 SEAL GASKET			01			
7	55256154 PIPE, CSC EVEN CLUTCH			01			

Legend	
TCT	SPECIFIC GEARBOX
1.4	HORSE POWER (MARKET):1370
PETROL	FUEL:PETROL
135HP	POWER:1.4 FIRE 16V TURBO MULTIAIR 135 HP EURO 5
C15850/D15850	New actuation assembly (CAS): CAM 396038, DAT 13/4/2012

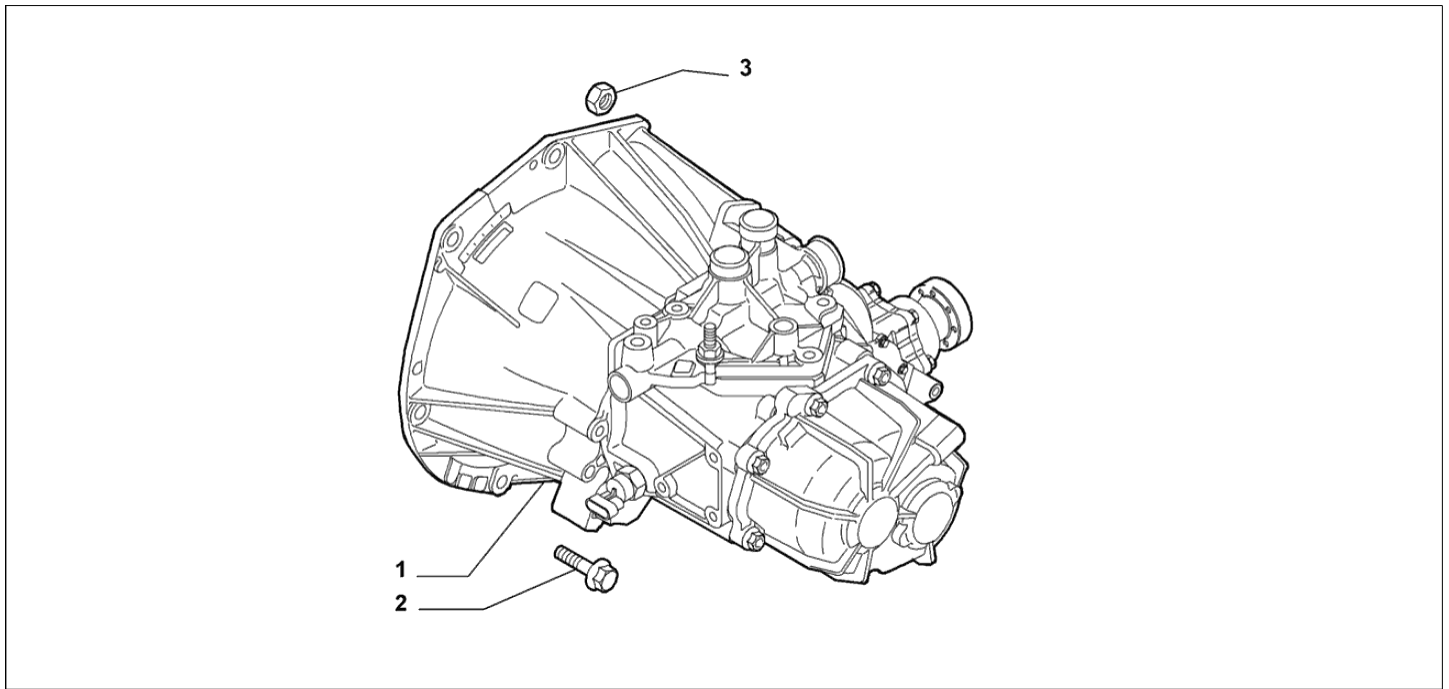
Catalogue	MITO 2011-2013	
Category	7.1 TRANSMISSION	
Var.	07	1.6D + DIESEL + PCC544 + 076
Rev.	00	C14156



Part Num.	Description	Compatibility	Modif.	Qty	Notes	Col.	Reman.
1	55219613 TRANSMISSION AND DIFF			01			71794342
2	55196041 NUT			02			
3	55196040 SCREW/WASHER, M12X55			02			
3	16289134 SCREW, M10X60			02			

Legend	
076	GEARBOX 6 M
1.6D	HORSE POWER (MARKET):1598
DIESEL	FUEL:DIESEL
PCC544	GEARBOX DESIGN:GEARBOX 20/28 KGM (M20/M28 3H)
14156	C542 -C544 GEARBOX MANUFATURING DISCONTINUED [DAT 26/02/2011]

Catalogue	MITO 2011-2013	
Category	7.1 TRANSMISSION	
Var.	08	875CC + PCC514
Rev.	00	



Part Num.	Description	Compatibility	Modif.	Qty	Notes	Col.	Reman.
1	55241350	TRANSMISSION AND DIFF	875CC	C15991	01		71795672
1	55248167	TRANSMISSION AND DIFF	875CC	D15991	01		71795673
2	55198572	SCREW, M12X1.25X65	875CC		03		
2	16289024	SCREW, M10X1.25X55	875CC		02		
3	55196041	NUT, M12X1.25	875CC		01		

Legend	
PCC514	GEARBOX DESIGN: GEARBOX
875CC	HORSE POWER (MARKET):875
C15991/D15991	NEW GEARBOX FOR C514 MANOURVERABILITY IMPROVEMENT STEP 2 DAT 14/9/2012