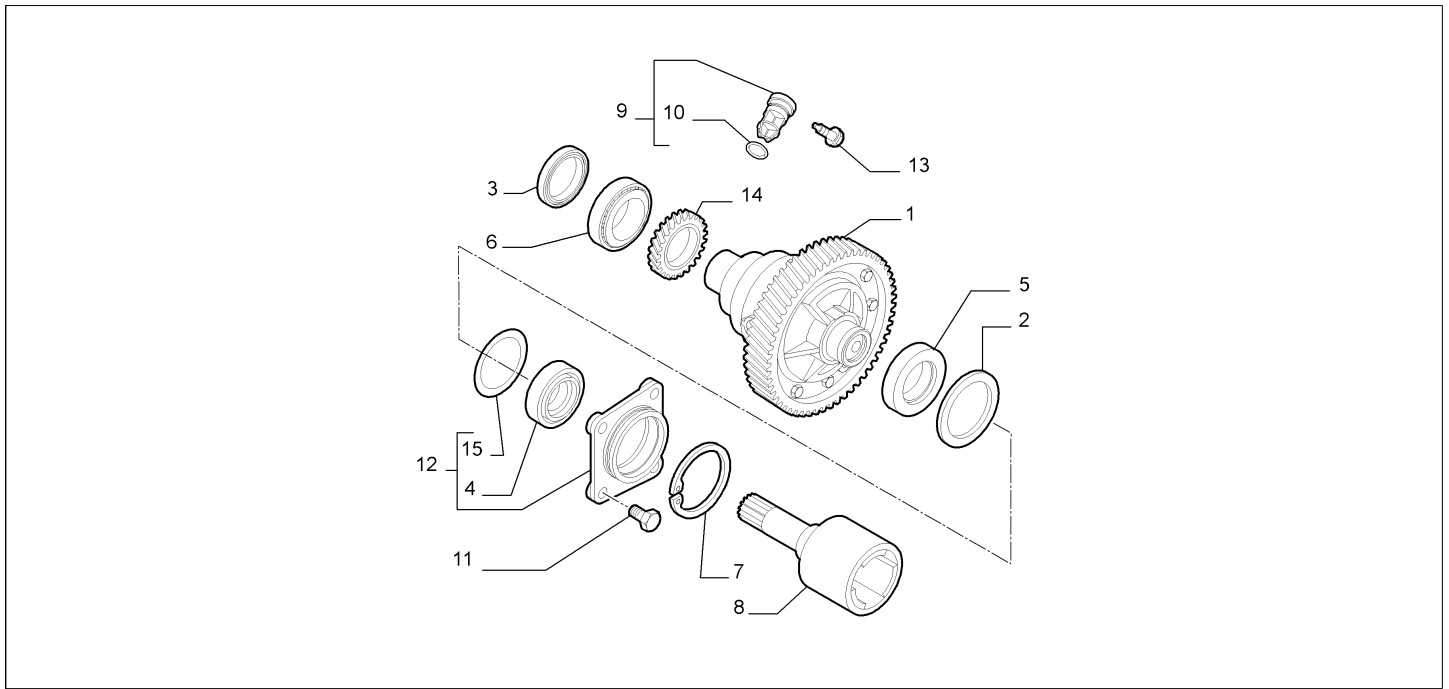


Catalogue	MITO 2011-2013	
Category	7.5 DIFFERENTIAL GEARS	
Var.	01	1.4 + NOTURBO + PETROL + (70HP, 78HP, 105HP) + PCC514
Rev.	00	

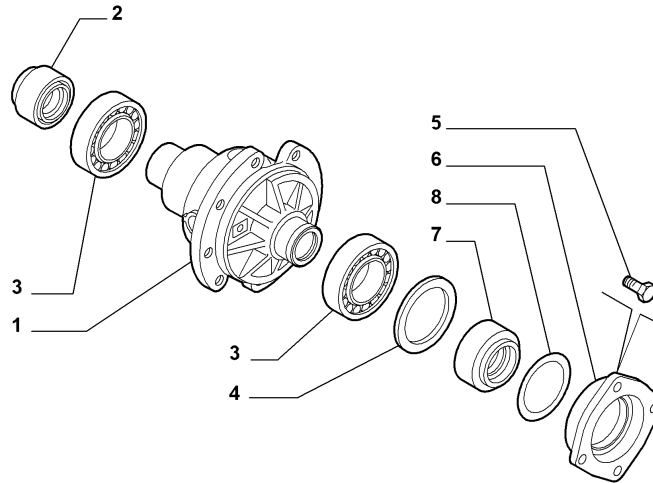


	Part Num.	Description	Compatibility	Modif.	Qty	Notes	Col.	Reman.
1	A 46810252	GEARS AND CASE, RAPP 14/57	1005		01			
1	A 6000100061	GEARS AND CASE, RAPP 14/57	1005		01			
1	A 46819486	GEARS AND CASE, RAPP 15/56	005		01			
1	A 6000100057	GEARS AND CASE, RAPP 15/56	005		01			
2	7788475	RING, SP 1,75			01			
2	7788476	RING, SP 1,80			01			
2	7788477	RING, SP 1,85			01			
2	7788478	RING, SP 1,90			01			
2	7788479	RING, SP 1,95			01			
2	7667648	RING, SP 2,00			01			
2	7788480	RING, SP 2,05			01			
2	7667649	RING, SP 2,10			01			
2	7788481	RING, SP 2,15			01			
2	7667650	RING, SP 2,20			01			
2	7788482	RING, SP 2,25			01			
2	7667651	RING, SP 2,30			01			
2	7788483	RING, SP 2,35			01			
2	7667653	RING, SP 2,40			01			
2	7788484	RING, SP 2,45			01			
2	7667654	RING, SP 2,50			01			
2	7788485	RING, SP 2,55			01			
2	7667655	RING, SP 2,60			01			
2	7788486	RING, SP 2,65			01			
2	7667656	RING, SP 2,70			01			
2	7788555	RING, SP 2,75			01			
2	7667657	RING, SP 2,80			01			

2	7667658	RING, SP 2,90			01			
2	7667659	RING, SP 3,00			01			
3	40005030	SEAL GASKET			01			
4	40004620	SEAL GASKET			01			
5	55225251	BEARING, RH			01			
6	55225248	BEARING, LH			01			
7	46533000	RETAINER			02			
8 A	55182803	SHAFT, SN,DS			02			
8 A	6000100065	SHAFT, SN,DS			02			
9	55187172	PLUG			01			
10	14457180	SEAL GASKET			01			
11	55217751	SCREW			04			
12 A	55194085	FLANGE, COMPL			01			
12 A	6000100189	FLANGE, COMPL			01			
13	7781081	SCREW			01			
14	7669553	GEAR			01			
15	14460180	SEAL GASKET			01			

Legend	
005	5-SPEED GEARBOX
NOTURBO	(ASPIRATED/TURBO):EXHAUST FAN
1.4	HORSE POWER (MARKET):1370
PETROL	FUEL:PETROL
70HP	POWER:1.4 FIRE 8V 70HP EURO5
78HP	POWER:1.4 FIRE 8V/16V 78HP EURO5
105HP	POWER:1.4 FIRE 16V MULTIAIR 105HP (EURO 5)
PCC514	GEARBOX DESIGN:GEARBOX

Catalogue	MITO 2011-2013	
Category	7.5 DIFFERENTIAL GEARS	
Var.	02	1.3D + DIESEL + 005 + PCC510 + (95HP, 85HP)
Rev.	00	

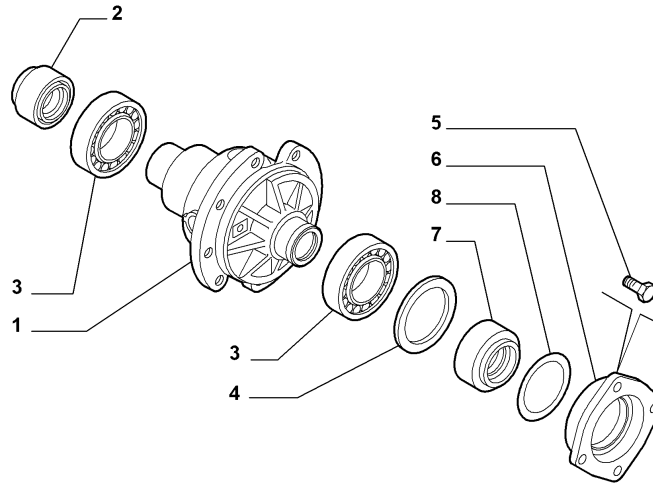


Part Num.	Description	Compatibility	Modif.	Qty	Notes	Col.	Reman.
1	55201208	GEARS AND CASE, COMPL		01			
2	40004760	SEAL GASKET		01			
3	55226147	BEARING		02			
4	7660325	RING, SP 1,70		01			
4	7660326	RING, SP 1,77		01			
4	7660327	RING, SP 1,84		01			
4	7660328	RING, SP 1,91		01			
4	7660329	RING, SP 1,98		01			
4	7660330	RING, SP 2,05		01			
4	7660331	RING, SP 2,12		01			
4	7660332	RING, SP 2,19		01			
4	7660333	RING, SP 2,26		01			
4	7660334	RING, SP 2,33		01			
4	7660335	RING, SP 2,40		01			
4	7660336	RING, SP 2,47		01			
4	7660337	RING, SP 2,54		01			
4	7660338	RING, SP 2,61		01			
4	7660339	RING, SP 2,68		01			
4	7660340	RING, SP 2,75		01			
4	7660341	RING, SP 2,82		01			
4	7660342	RING, SP 2,89		01			
5	18752424	SCREW		04			
6	7623487	FLANGE		01			
7	40004830	SEAL GASKET		01			
8	14455780	SEAL GASKET		01			

### Legend

005	5-SPEED GEARBOX
1.3D	HORSE POWER (MARKET):1.3
DIESEL	FUEL:DIESEL
85HP	POWER:1.3 SDE 85HP EURO5
95HP	POWER:1.3 SDE 95HP EURO5
PCC510	GEARBOX DESIGN:GEARBOX

Catalogue	MITO 2011-2013	
Category	7.5 DIFFERENTIAL GEARS	
Var.	03	1.4 + TURBO + PETROL + (120HP, 135HP) + PCC510
Rev.	00	

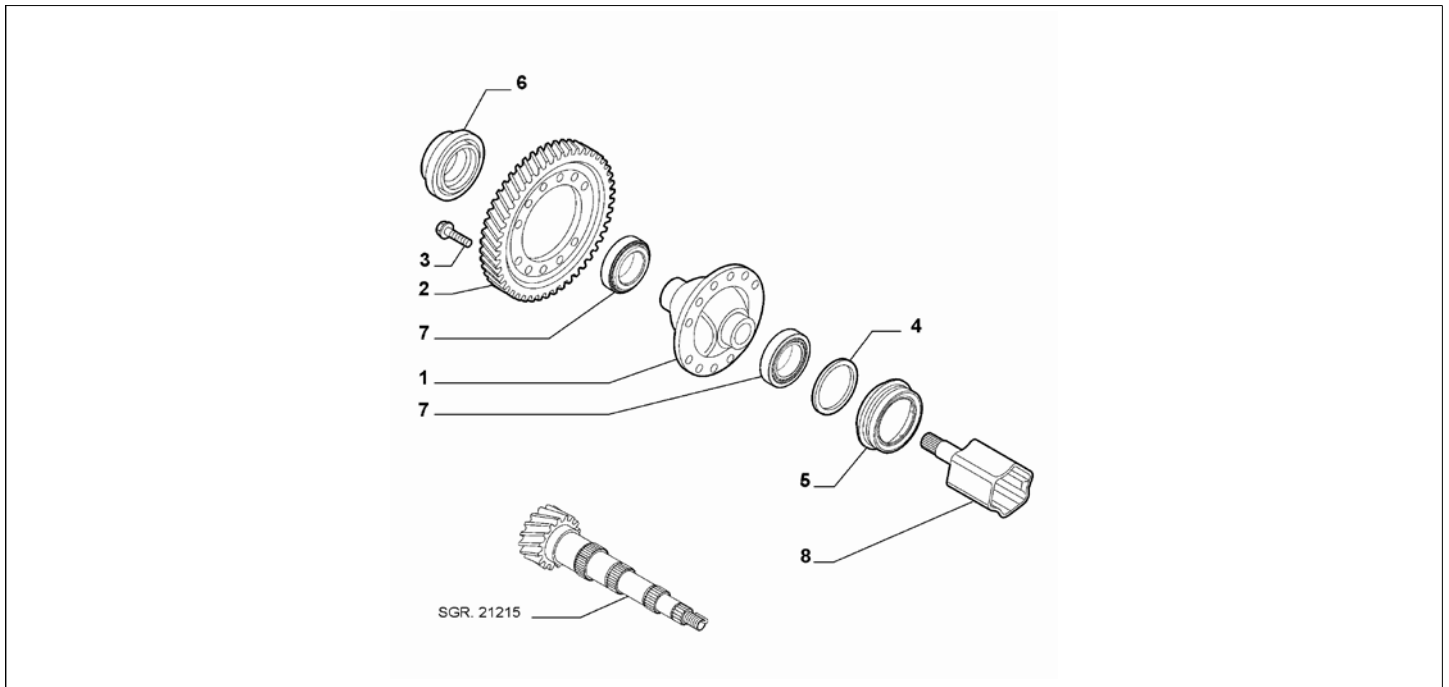


Part Num.	Description	Compatibility	Modif.	Qty	Notes	Col.	Reman.
1	55201208	GEARS AND CASE, COMPL		01			
2	40004760	SEAL GASKET		01			
3	55226147	BEARING		02			
4	7660325	RING, SP 1,70		01			
4	7660326	RING, SP 1,77		01			
4	7660327	RING, SP 1,84		01			
4	7660328	RING, SP 1,91		01			
4	7660329	RING, SP 1,98		01			
4	7660330	RING, SP 2,05		01			
4	7660331	RING, SP 2,12		01			
4	7660332	RING, SP 2,19		01			
4	7660333	RING, SP 2,26		01			
4	7660334	RING, SP 2,33		01			
4	7660335	RING, SP 2,40		01			
4	7660336	RING, SP 2,47		01			
4	7660337	RING, SP 2,54		01			
4	7660338	RING, SP 2,61		01			
4	7660339	RING, SP 2,68		01			
4	7660340	RING, SP 2,75		01			
4	7660341	RING, SP 2,82		01			
4	7660342	RING, SP 2,89		01			
5	18752424	SCREW		04			
6	7623487	FLANGE		01			
7	40004830	SEAL GASKET		01			
8	14455780	SEAL GASKET		01			

### Legend

TURBO	(ASPIRATED/TURBO):TURBO
1.4	HORSE POWER (MARKET):1370
PETROL	FUEL:PETROL
120HP	POWER:1.6 JTD EURO5 -1.4 FIRE TRB EURO4 120CV
135HP	POWER:1.4 FIRE 16V TURBO MULTIAIR 135 HP EURO 5
PCC510	GEARBOX DESIGN:GEARBOX

Catalogue	MITO 2011-2013	
Category	7.5 DIFFERENTIAL GEARS	
Var.	04	1.4 + TURBO + PETROL + 170HP + PCC635, 1.6D + DIESEL + 120HP + PCC635
Rev.	00	



Part Num.	Description	Compatibility	Modif.	Qty	Notes	Col.	Reman.
1	55215694	CASE		01			
2	55276109	GEAR, RAPP 17/70	1.4	01			
2	55276110	RING GEAR, RATIO 19/65	1.6D	01			
3	55216190	SCREW, M10X1,25		12			
4	55217176	RING, SP. 0,80		01			
4	55217177	RING, SP. 0,85		01			
4	55217178	RING, SP. 0,90		01			
4	55217179	RING, SP. 0,95		01			
4	55217180	RING, SP. 1,00		01			
4	55217181	RING, SP. 1,05		01			
4	55217182	RING, SP. 1,10		01			
4	55217183	RING, SP. 1,15		01			
4	55215857	RING, SP. 1,20		01			
4	55217184	RING, SP. 1,25		01			
4	55217185	RING, SP. 1,30		01			
4	55217186	RING, SP. 1,35		01			
4	55217187	RING, SP. 1,40		01			
4	55217188	RING, SP. 1,45		01			
4	55217189	RING, SP. 1,50		01			
4	55217190	RING, SP. 1,55		01			
4	55217191	RING, SP. 1,60		01			
5	40004430	SEAL, LH		01			
6	55231144	SEAL GASKET, RH		01			
7	55216978	BEARING		02			
8	55221323	SHAFT, LH		01			

### Legend

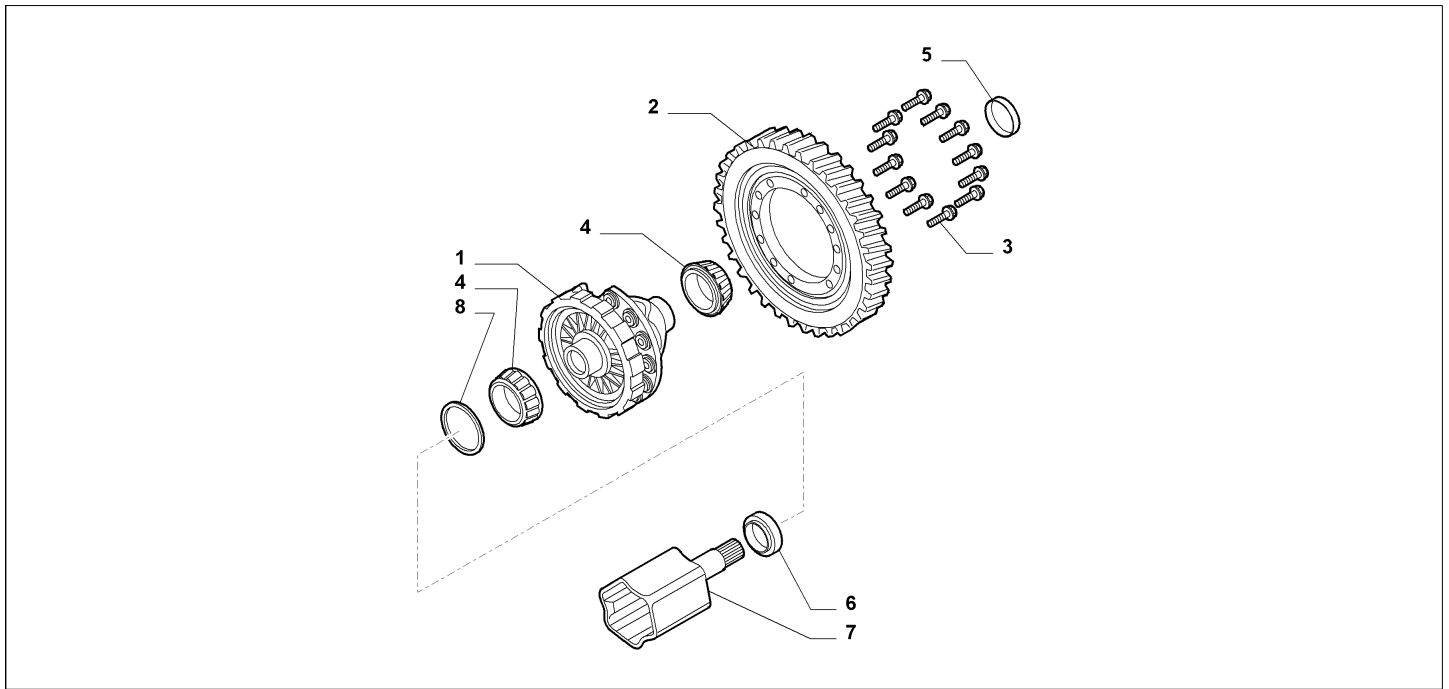
TURBO	(ASPIRATED/TURBO):TURBO
1.4	HORSE POWER (MARKET):1370
1.6D	HORSE POWER (MARKET):1598

# MiTo 2011-2013



PETROL	FUEL:PETROL
DIESEL	FUEL:DIESEL
170HP	POWER:1.4 FIRE 16V TURBO MULTIAIR 170HP EURO 5
120HP	POWER:1.6 JTD EURO5 -1.4 FIRE TRB EURO4 120CV
PCC635	GEARBOX DESIGN:GEARBOX 35 KGM

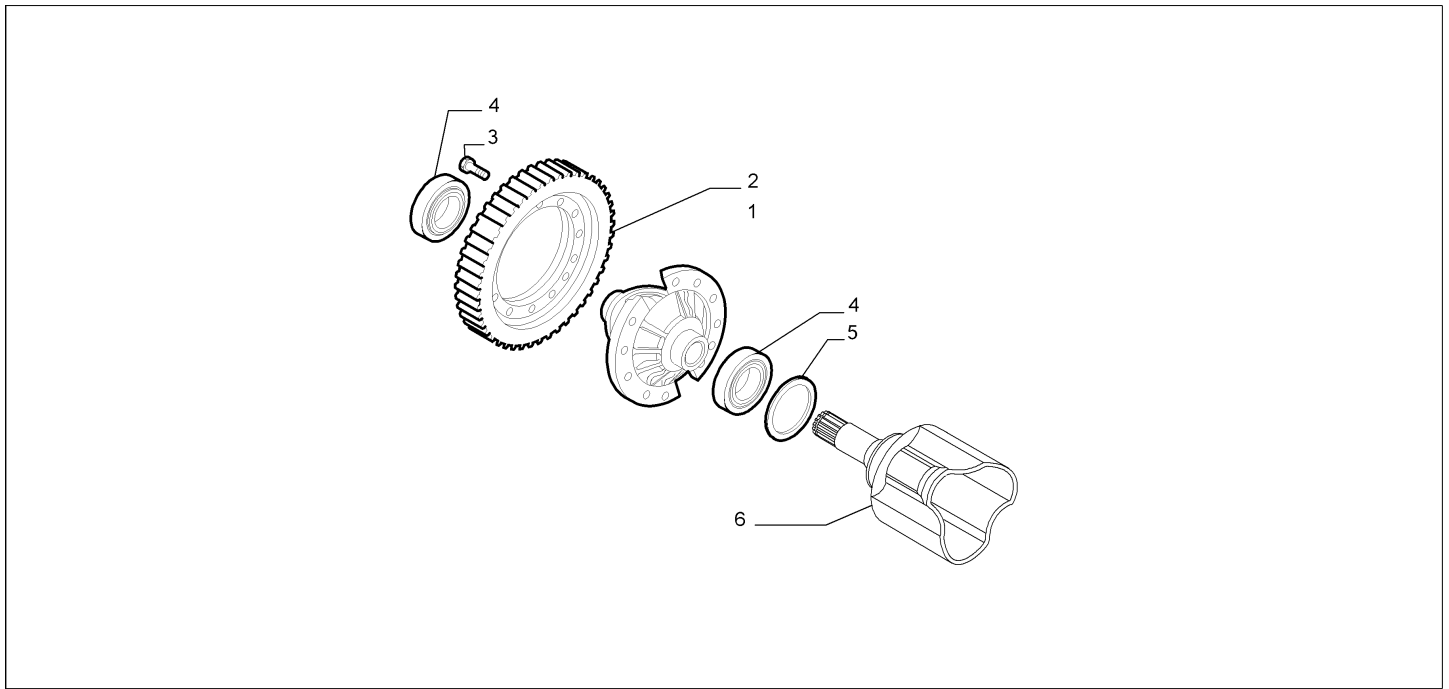
Catalogue	MITO 2011-2013	
Category	7.5 DIFFERENTIAL GEARS	
Var.	05	1.4 + TURBO + PETROL + 135HP + TCT
Rev.	00	



Part Num.	Description	Compatibility	Modif.	Qty	Notes	Col.	Reman.
1	55231378	GEARS AND CASE		01			
2	55276109	GEAR, RAPP. 17/70		01			
3	55216190	SCREW		12			
4	55216978	BEARING		02			
5	55227627	SEAL GASKET, RH		01			
6	40004430	SEAL, LH		01			
7	55221323	SHAFT, LH		01			
8	55217176	RING, SP.0.80		01			
8	55217177	RING, SP.0.85		01			
8	55217178	RING, SP.0.90		01			
8	55217179	RING, SP.0.95		01			
8	55217180	RING, SP.1.00		01			
8	55217181	RING, SP.1.05		01			
8	55217182	RING, SP.1.10		01			
8	55217183	RING, SP.1.15		01			
8	55215857	RING, SP.1.20		01			
8	55217184	RING, SP.1.25		01			
8	55217185	RING, SP.1.30		01			
8	55217186	RING, SP.1.35		01			
8	55217187	RING, SP.1.40		01			
8	55217188	RING, SP.1.45		01			
8	55217189	RING, SP.1.50		01			
8	55217190	RING, SP.1.55		01			
8	55217191	RING, SP.1.60		01			

Legend	
TCT	SPECIFIC GEARBOX
TURBO	(ASPIRATED/TURBO):TURBO
1.4	HORSE POWER (MARKET):1370
PETROL	FUEL:PETROL
135HP	POWER:1.4 FIRE 16V TURBO MULTIAIR 135 HP EURO 5

Catalogue	MITO 2011-2013	
Category	7.5 DIFFERENTIAL GEARS	
Var.	06	1.6D + DIESEL + PCC544 + 076
Rev.	00	C14156



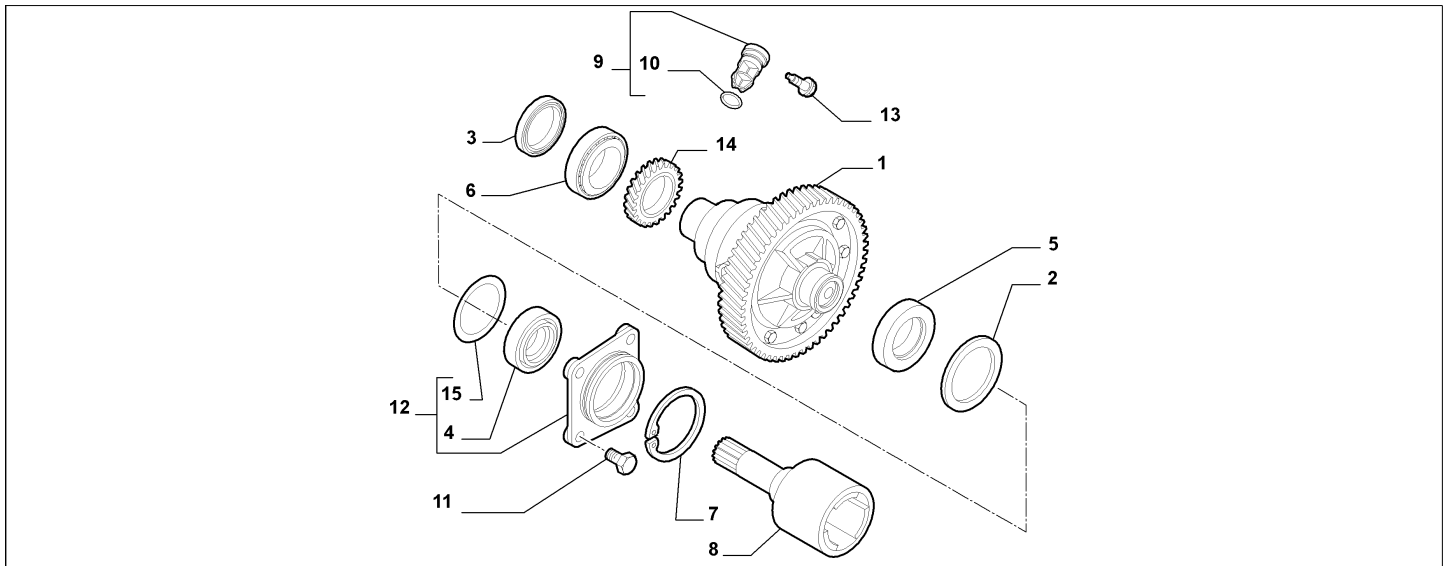
	Part Num.	Description	Compatibility	Modif.	Qty	Notes	Col.	Reman.
1	55575323	GEARS AND CASE			01			
2	55182083	RING GEAR			01			
3	55354271	SCREW			12			
4	55572486	BEARING			02			
5	55183212	SHIM, SP 0,70			01			
5	55183213	SHIM, SP 0,75			01			
5	55180131	SHIM, SP 0,80			01			
5	55183394	SHIM, SP 0,85			01			
5	55183395	SHIM, SP 0,90			01			
5	55183396	SHIM, SP 0,95			01			
5	55183397	SHIM, SP 1,00			01			
5	55183398	SHIM, SP 1,05			01			
5	55183399	SHIM, SP 1,10			01			
5	55183400	SHIM, SP 1,15			01			
5	55183401	SHIM, SP 1,20			01			
5	55183402	SHIM, SP 1,25			01			
5	55183403	SHIM, SP 1,30			01			
5	55183404	SHIM, SP 1,35			01			
5	55183405	SHIM, SP 1,40			01			
5	55183406	SHIM, SP 1,45			01			
5 A	55183407	SHIM, SP 1,50			01			
5 A	6000100120	SHIM, SP 1,50			01			
5	55183408	SHIM, SP 1,55			01			
5	55183409	SHIM, SP 1,60			01			
5	55183410	SHIM, SP 1,65			01			
5	55183411	SHIM, SP 1,70			01			
5	55183412	SHIM, SP 1,75			01			
5	55183413	SHIM, SP 1,80			01			
5	55183214	SHIM, SP 1,85			01			



5	55183215	SHIM, SP 1,90		01		
5	55183216	SHIM, SP 1,95		01		
5	55183217	SHIM, SP 2,00		01		
5	55183218	SHIM, SP 2,05		01		
5	55183219	SHIM, SP 2,10		01		
6	55199296	SHAFT		01		

Legend	
076	GEARBOX 6 M
1.6D	HORSE POWER (MARKET):1598
DIESEL	FUEL:DIESEL
PCC544	GEARBOX DESIGN:GEARBOX 20/28 KGM (M20/M28 3H)
14156	C542 -C544 GEARBOX MANUFATURING DISCONTINUED [DAT 30/12/2010]

Catalogue	MITO 2011-2013	
Category	7.5 DIFFERENTIAL GEARS	
Var.	07	875CC + PCC514
Rev.	00	

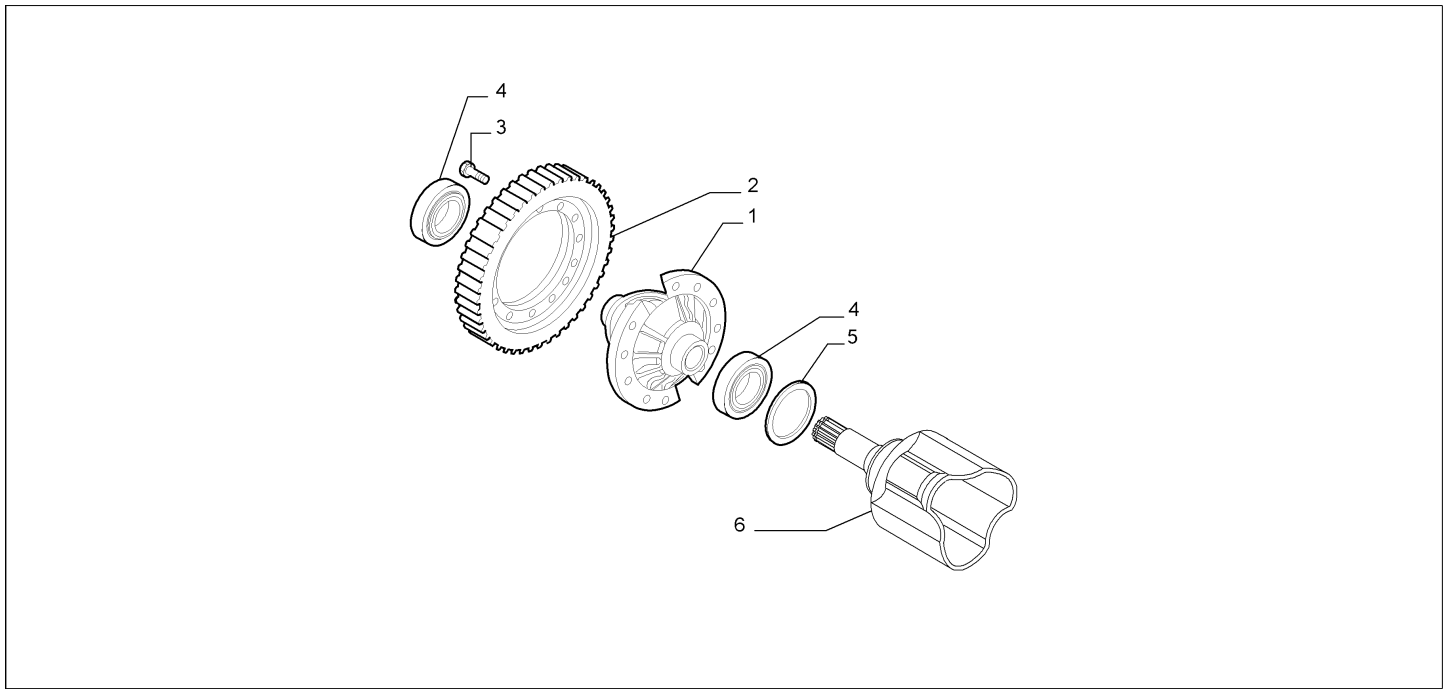


	Part Num.	Description	Compatibility	Modif.	Qty	Notes	Col.	Reman.
1	A 55210244	GEARS AND CASE, RAPP 13/64	875CC		1			
1	A 6000100063	GEARS AND CASE, RAPP 13/64	875CC		1			
2	7788475	RING, SP 1,75			1			
2	7788476	RING, SP 1,80			1			
2	7788477	RING, SP 1,85			1			
2	7788478	RING, SP 1,90			1			
2	7788479	RING, SP 1,95			1			
2	7667648	RING, SP 2,00			1			
2	7788480	RING, SP 2,05			1			
2	7667649	RING, SP 2,10			1			
2	7788481	RING, SP 2,15			1			
2	7667650	RING, SP 2,20			1			
2	7788482	RING, SP 2,25			1			
2	7667651	RING, SP 2,30			1			
2	7788483	RING, SP 2,35			1			
2	7667653	RING, SP 2,40			1			
2	7788484	RING, SP 2,45			1			
2	7667654	RING, SP 2,50			1			
2	7788485	RING, SP 2,55			1			
2	7667655	RING, SP 2,60			1			
2	7788486	RING, SP 2,65			1			
2	7667656	RING, SP 2,70			1			
2	7788555	RING, SP 2,75			1			
2	7667657	RING, SP 2,80			1			
2	7667658	RING, SP 2,90			1			
2	7667659	RING, SP 3,00			1			
3	40005030	SEAL GASKET			1			
4	40004620	SEAL GASKET			1			
5	55225251	BEARING, RH			1			
6	55225248	BEARING, LH			1			
7	46533000	RETAINER			2			
8	A 55182803	SHAFT, LH			2			

8	A	6000100065	SHAFT, LH			2			
9		55187172	PLUG			1			
10		14457180	SEAL GASKET			1			
11		55217751	SCREW			4			
12	A	55194085	FLANGE, COMPL			1			
12	A	6000100189	FLANGE, COMPL			1			
13		7781081	SCREW			1			
14		7669553	GEAR			1			
15		14460180	SEAL GASKET			1			

Legend	
875CC	HORSE POWER (MARKET):875
PCC514	GEARBOX DESIGN:GEARBOX

Catalogue	MITO 2011-2013	
Category	7.5 DIFFERENTIAL GEARS	
Var.	08	1.4 + PETROL + 155HP + PCC544 + 076
Rev.	00	C14156

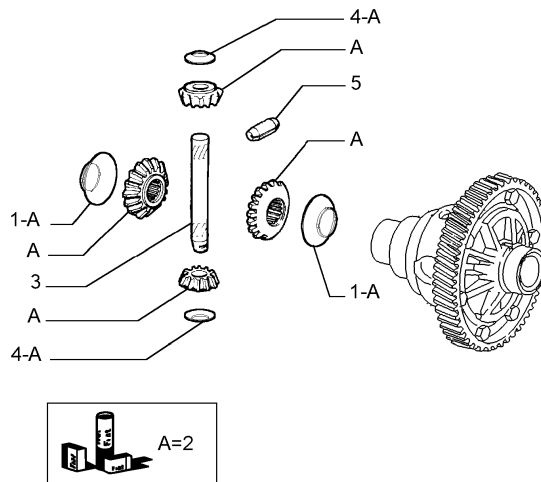


	Part Num.	Description	Compatibility	Modif.	Qty	Notes	Col.	Reman.
1	71740972	GEARS AND CASE		C13937	01			
1	55575323	GEARS AND CASE		D13937	01			
2	55188585	RING GEAR			01			
3	55354271	SCREW			12			
4	55572486	BEARING			02			
5	55183212	SHIM, SP 0,70			01			
5	55183213	SHIM, SP 0,75			01			
5	55180131	SHIM, SP 0,80			01			
5	55183394	SHIM, SP 0,85			01			
5	55183395	SHIM, SP 0,90			01			
5	55183396	SHIM, SP 0,95			01			
5	55183397	SHIM, SP 1,00			01			
5	55183398	SHIM, SP 1,05			01			
5	55183399	SHIM, SP 1,10			01			
5	55183400	SHIM, SP 1,15			01			
5	55183401	SHIM, SP 1,20			01			
5	55183402	SHIM, SP 1,25			01			
5	55183403	SHIM, SP 1,30			01			
5	55183404	SHIM, SP 1,35			01			
5	55183405	SHIM, SP 1,40			01			
5	55183406	SHIM, SP 1,45			01			
5	55183407	SHIM, SP 1,50			01			
5	6000100120	SHIM, SP 1,50			01			
5	55183408	SHIM, SP 1,55			01			
5	55183409	SHIM, SP 1,60			01			
5	55183410	SHIM, SP 1,65			01			
5	55183411	SHIM, SP 1,70			01			
5	55183412	SHIM, SP 1,75			01			
5	55183413	SHIM, SP 1,80			01			

5	55183214	SHIM, SP 1,85		01		
5	55183215	SHIM, SP 1,90		01		
5	55183216	SHIM, SP 1,95		01		
5	55183217	SHIM, SP 2,00		01		
5	55183218	SHIM, SP 2,05		01		
5	55183219	SHIM, SP 2,10		01		
6	55199296	SHAFT		01		

Legend	
076	GEARBOX 6 M
1.4	HORSE POWER (MARKET):1370
PETROL	FUEL:PETROL
155HP	POWER:1.4 FIRE 16V TURBO 155HP (EURO 5)
PCC544	GEARBOX DESIGN:GEARBOX 20/28 KGM (M20/M28 3H)
13937	ADOPTION OF NEW HOUSING AND GEAR SETS [DAT 12/01/2010]
14156	C542 -C544 GEARBOX MANUFATURING DISCONTINUED [DAT 30/12/2010]

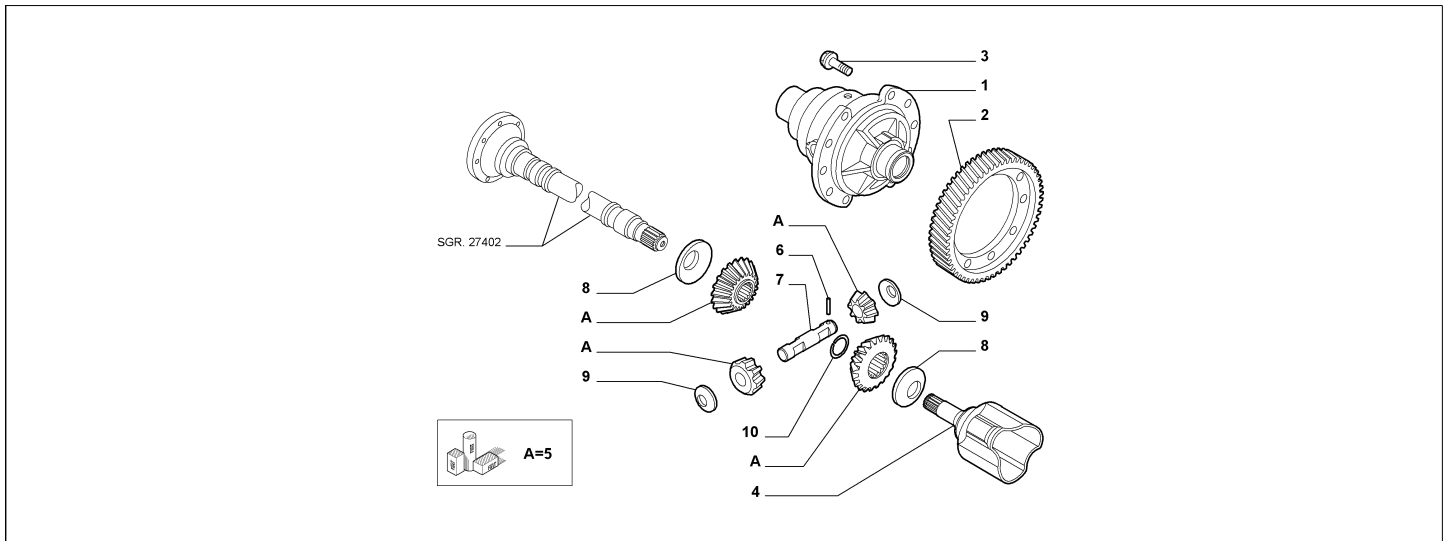
Catalogue	MITO 2011-2013	
Category	7.5 DIFFERENTIAL GEARS	
Var.	01	1.4 + NOTURBO + PETROL + (70HP, 78HP, 105HP) + PCC514
Rev.	00	



	Part Num.	Description	Compatibility	Modif.	Qty	Notes	Col.	Reman.
1	55283815	THRUST PLATE			02			
2	A 73504041	REPAIR KIT			01			
2	A 6000100067	REPAIR KIT			01			
3	55277802	PIN			01			
4	55283816	THRUST PLATE			02			
5	13940670	PIN			01			

Legend	
NOTURBO	(ASPIRATED/TURBO):EXHAUST FAN
1.4	HORSE POWER (MARKET):1370
PETROL	FUEL:PETROL
70HP	POWER:1.4 FIRE 8V 70HP EURO5
78HP	POWER:1.4 FIRE 8V/16V 78HP EURO5
105HP	POWER:1.4 FIRE 16V MULTIAIR 105HP (EURO 5)
PCC514	GEARBOX DESIGN:GEARBOX

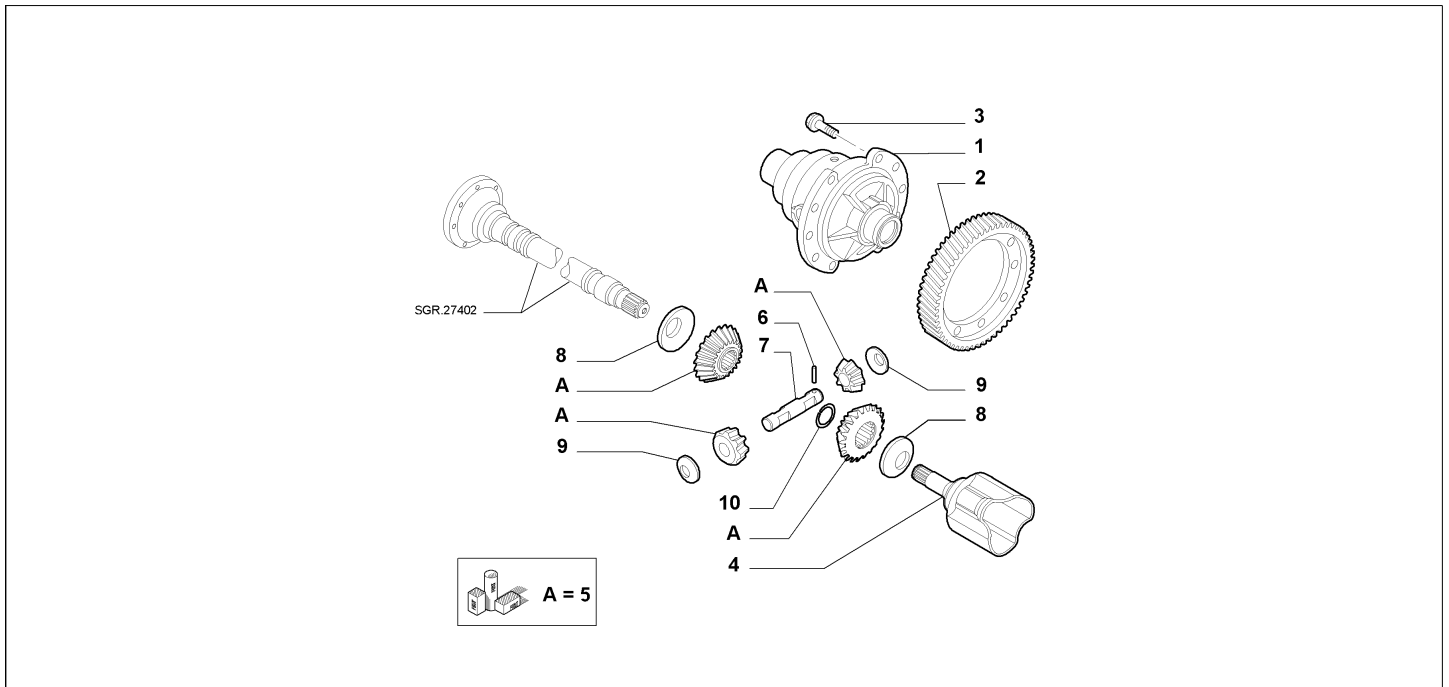
Catalogue	MITO 2011-2013	
Category	7.5 DIFFERENTIAL GEARS	
Var.	02	1.3D + DIESEL + 005 + PCC510 + (95HP, 85HP)
Rev.	00	



Part Num.	Description	Compatibility	Modif.	Qty	Notes	Col.	Reman.
1	7676177 CASE			01			
2	55183784 RING GEAR, RAPP 16/57	95HP+15KQ		01			
2	55183775 RING GEAR, RAPP 17/57	95HP+5KQ		01			
2	55183785 RING GEAR, RAPP 19/58	85HP		1			
3	4391353 SCREW			10			
4	55207525 SHAFT, LH			01			
5	71719742 REPAIR KIT			01			
6	13940570 PIN			01			
7	55271474 PINION CARRIERSHAFT			01			
8	46337698 THRUST PLATE			02			
9	46337699 THRUST PLATE			02			
10	4391364 RETAINER			01			

Legend	
005	5-SPEED GEARBOX
5KQ	ECO KIT 1
1.3D	HORSE POWER (MARKET):1.3
DIESEL	FUEL:DIESEL
85HP	POWER:1.3 SDE 85HP EURO5
95HP	POWER:1.3 SDE 95HP EURO5
PCC510	GEARBOX DESIGN:GEARBOX

Catalogue	MITO 2011-2013	
Category	7.5 DIFFERENTIAL GEARS	
Var.	03	1.4 + TURBO + PETROL + (120HP, 135HP) + PCC510
Rev.	00	

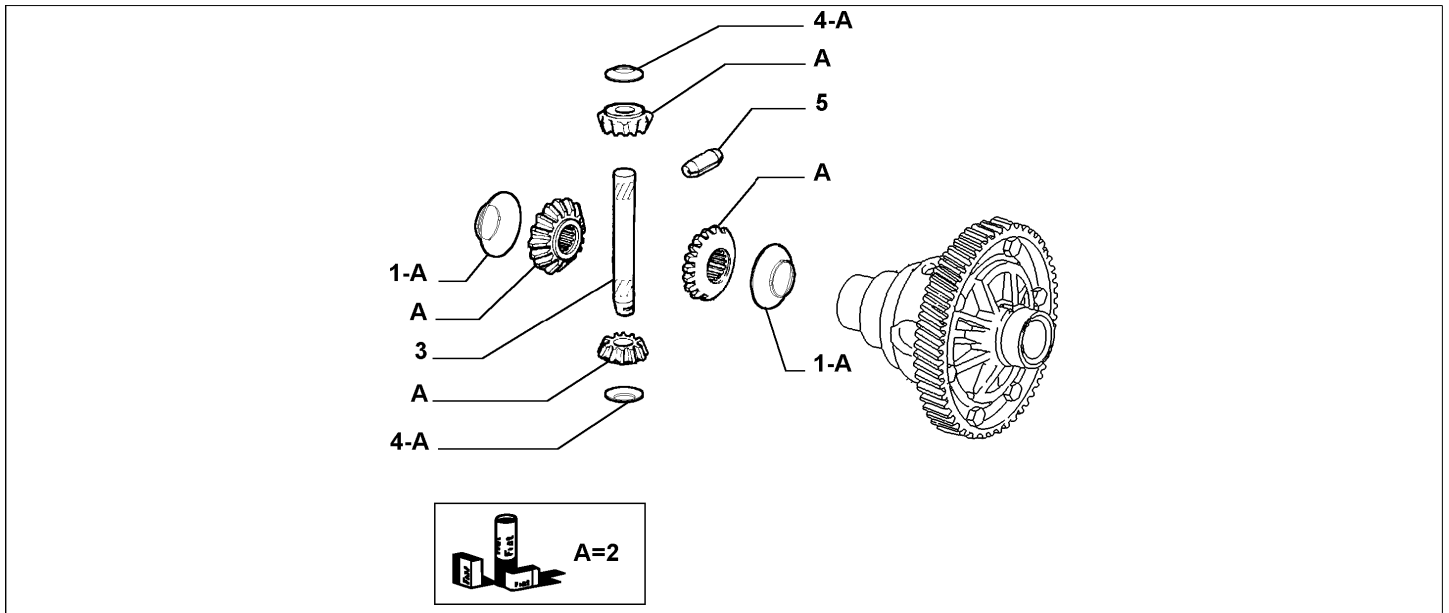


Part Num.	Description	Compatibility	Modif.	Qty	Notes	Col.	Reman.
1	7676177 CASE			01			
2	55201297 RING GEAR, RAPP 56/15			01			
3	4391353 SCREW			10			
4	55207525 SHAFT			01			
5	71719742 REPAIR KIT			01			
6	13940570 PIN			01			
7	55271474 PINION CARRIERSHAFT			01			
8	46337698 THRUST PLATE			02			
9	46337699 THRUST PLATE			02			
10	4391364 RETAINER			01			

Legend	
TURBO	(ASPIRATED/TURBO):TURBO
1.4	HORSE POWER (MARKET):1370
PETROL	FUEL:PETROL
120HP	POWER:1.6 JTD EURO5 -1.4 FIRE TRB EURO4 120CV
135HP	POWER:1.4 FIRE 16V TURBO MULTIAIR 135 HP EURO 5
PCC510	GEARBOX DESIGN:GEARBOX



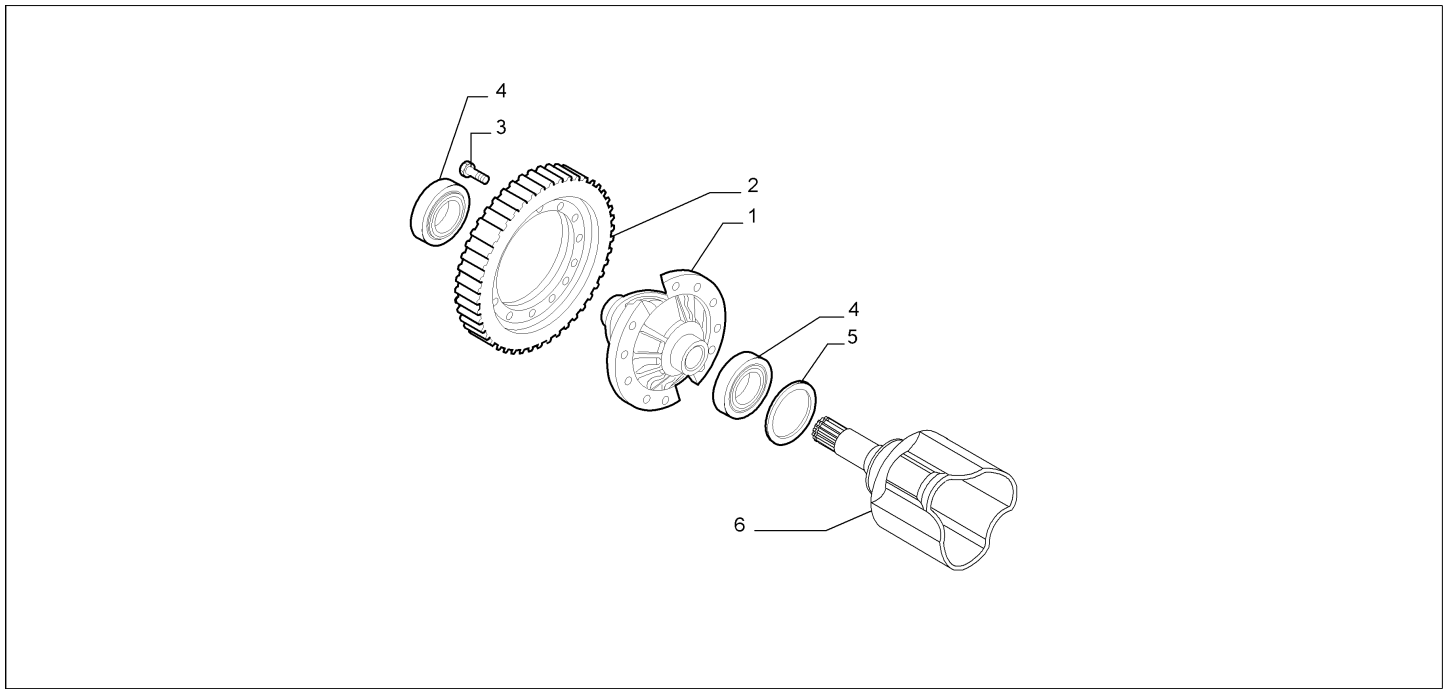
Catalogue	MITO 2011-2013	
Category	7.5 DIFFERENTIAL GEARS	
Var.	04	875CC + PCC514
Rev.	00	



	Part Num.	Description	Compatibility	Modif.	Qty	Notes	Col.	Reman.
1	55283815	THRUST PLATE			2			
2	A 73504041	REPAIR KIT			1			
2	A 6000100067	REPAIR KIT			1			
3	55277802	PIN			1			
4	55283816	THRUST PLATE			2			
5	13940670	PIN			1			

Legend	
875CC	HORSE POWER (MARKET):875
PCC514	GEARBOX DESIGN:GEARBOX

Catalogue	MITO 2011-2013	
Category	7.5 DIFFERENTIAL GEARS	
Var.	05	1.4 + PETROL + 155HP + PCC544 + 076
Rev.	00	C14156



	Part Num.	Description	Compatibility	Modif.	Qty	Notes	Col.	Reman.
1	71740972	GEARS AND CASE		C13937	01			
1	55575323	GEARS AND CASE		D13937	01			
2	55188585	RING GEAR			01			
3	55354271	SCREW			12			
4	55572486	BEARING			02			
5	55183212	SHIM, SP 0,70			01			
5	55183213	SHIM, SP 0,75			01			
5	55180131	SHIM, SP 0,80			01			
5	55183394	SHIM, SP 0,85			01			
5	55183395	SHIM, SP 0,90			01			
5	55183396	SHIM, SP 0,95			01			
5	55183397	SHIM, SP 1,00			01			
5	55183398	SHIM, SP 1,05			01			
5	55183399	SHIM, SP 1,10			01			
5	55183400	SHIM, SP 1,15			01			
5	55183401	SHIM, SP 1,20			01			
5	55183402	SHIM, SP 1,25			01			
5	55183403	SHIM, SP 1,30			01			
5	55183404	SHIM, SP 1,35			01			
5	55183405	SHIM, SP 1,40			01			
5	55183406	SHIM, SP 1,45			01			
5	55183407	SHIM, SP 1,50			01			
5	6000100120	SHIM, SP 1,50			01			
5	55183408	SHIM, SP 1,55			01			
5	55183409	SHIM, SP 1,60			01			
5	55183410	SHIM, SP 1,65			01			
5	55183411	SHIM, SP 1,70			01			
5	55183412	SHIM, SP 1,75			01			
5	55183413	SHIM, SP 1,80			01			

5	55183214	SHIM, SP 1,85		01		
5	55183215	SHIM, SP 1,90		01		
5	55183216	SHIM, SP 1,95		01		
5	55183217	SHIM, SP 2,00		01		
5	55183218	SHIM, SP 2,05		01		
5	55183219	SHIM, SP 2,10		01		
6	55199296	SHAFT		01		

Legend	
076	GEARBOX 6 M
1.4	HORSE POWER (MARKET):1370
PETROL	FUEL:PETROL
155HP	POWER:1.4 FIRE 16V TURBO 155HP (EURO 5)
PCC544	GEARBOX DESIGN:GEARBOX 20/28 KGM (M20/M28 3H)
13937	ADOPTION OF NEW HOUSING AND GEAR SETS [DAT 12/01/2010]
14156	C542 -C544 GEARBOX MANUFATURING DISCONTINUED [DAT 30/12/2010]