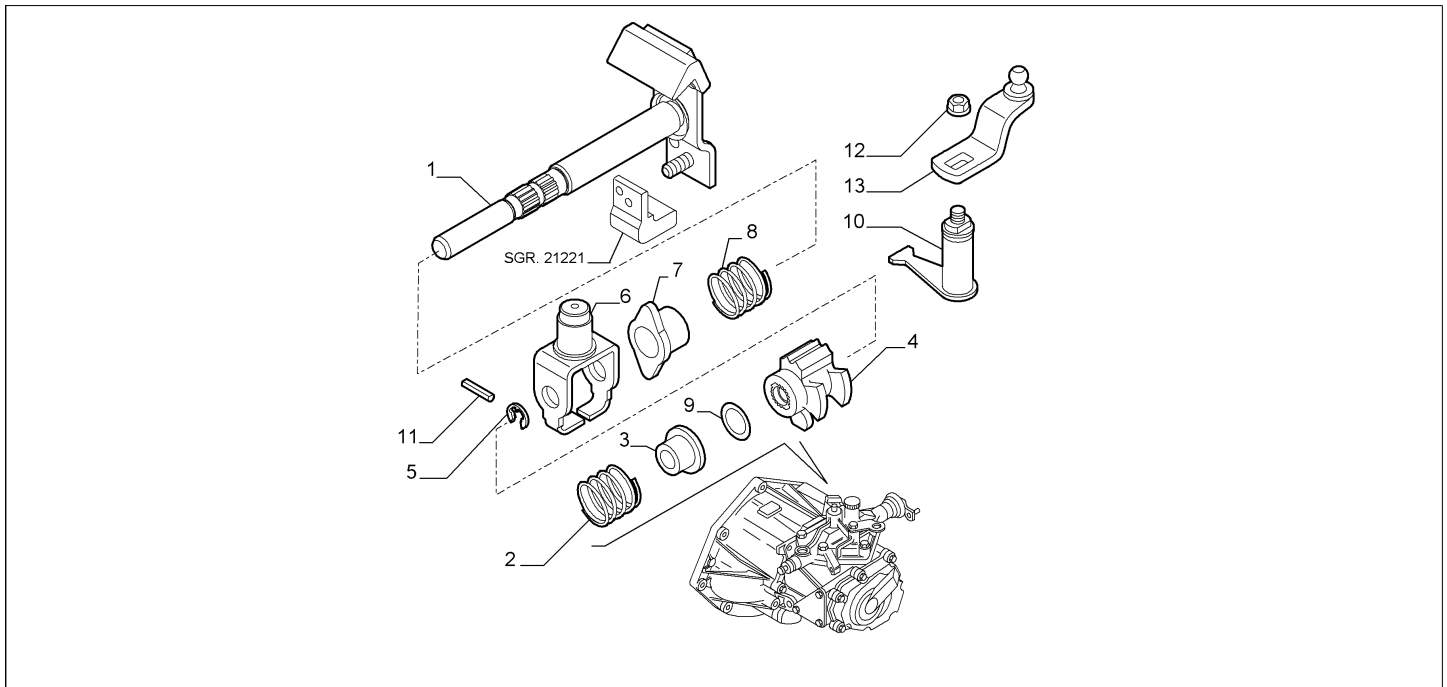


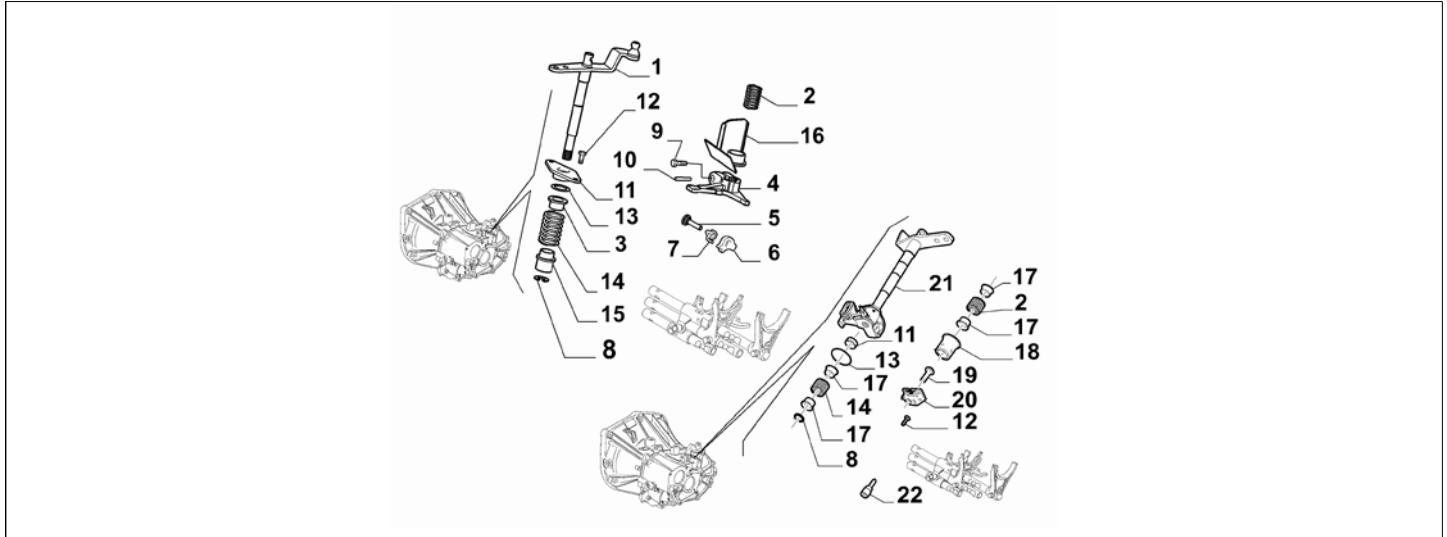
Catalogue	MITO 2011-2013	
Category	7.4 TRANSMISSION INNER CONTROLS	
Var.	01	1.4 + NOTURBO + PETROL + (70HP, 78HP, 105HP) + PCC514
Rev.	00	



	Part Num.	Description	Compatibility	Modif.	Qty	Notes	Col.	Reman.
1	55194676	SHAFT		C15991	01			
1	55240154	SHAFT		D15991	01			
2	55183116	SPRING			01			
3	A 7721894	BUSH			01			
3	A 6000100186	BUSH			01			
4	46556650	SLEEVE		C15991	01			
4	A 55272049	SLEEVE		D15991	01			
4	A 6000100187	SLEEVE		D15991	01			
5	11087376	LOCKRING			01			
6	55193714	LATCH		C15990	01			
6	55239447	LATCH		D15990, C15991	01			
6	55241447	LATCH		D15991	01			
7	7721893	BUSH			01			
8	55183115	SPRING			01			
9	14453080	SEAL GASKET			01			
10	7666737	LEVER		C15991	01			
10	55241450	LEVER		D15991	01			
11	14164070	PIN			01			
12	7789128	NUT			01			
13	46480921	LEVER		C15991	01			
13	55241455	LEVER		D15991	01			

Legend	
NOTURBO	(ASPIRATED/TURBO):EXHAUST FAN
1.4	HORSE POWER (MARKET):1370
PETROL	FUEL:PETROL
70HP	POWER:1.4 FIRE 8V 70HP EURO5
78HP	POWER:1.4 FIRE 8V/16V 78HP EURO5
105HP	POWER:1.4 FIRE 16V MULTIAIR 105HP (EURO 5)
PCC514	GEARBOX DESIGN:GEARBOX
15990	New gearboxes for C514 maneuverability improvement step 1 [DAT 07/07/2012]
15991	New gearboxes for C514 maneuverability improvement step 2 [DAT 14/09/2012]

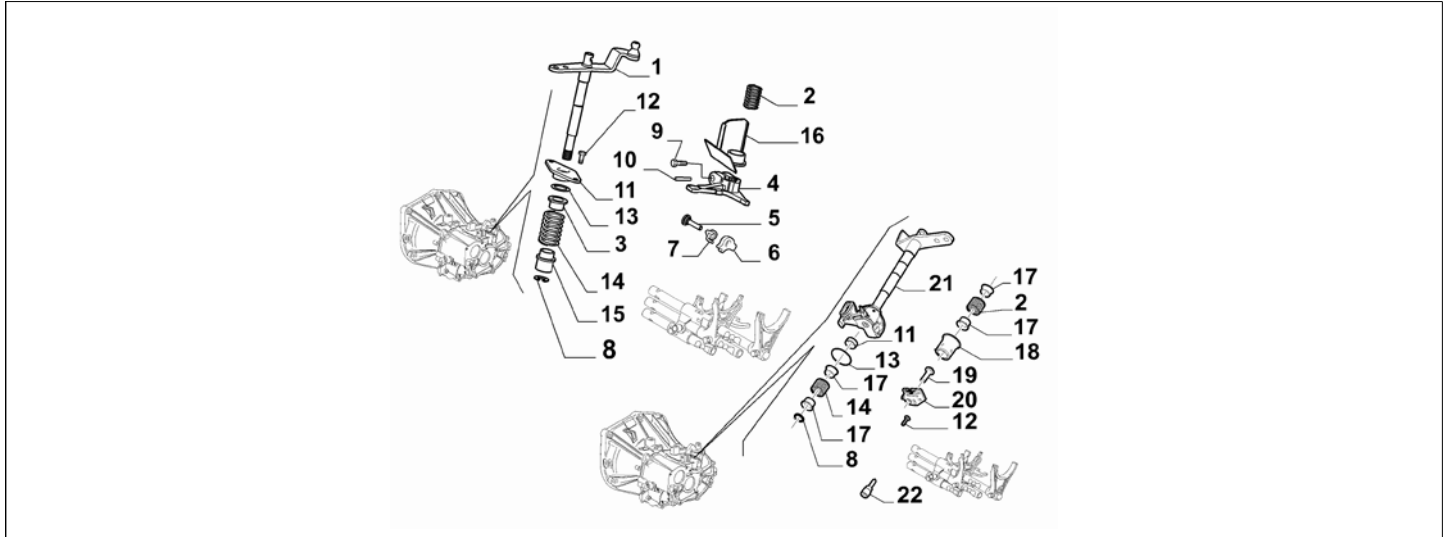
Catalogue	MITO 2011-2013	
Category	7.4 TRANSMISSION INNER CONTROLS	
Var.	02	1.3D + DIESEL + 005 + PCC510 + (95HP, 85HP)
Rev.	00	



Part Num.	Description	Compatibility	Modif.	Qty	Notes	Col.	Reman.
1	55215760	SHAFT	C15989	01			
2	55239463	SPRING	C15989	01			
2	55241770	SPRING	D15989	01			
3	7612844	SPACER	C15989	01			
4	7598120	LEVER	C15989	01			
5	7729642	RIVET	C15989	01			
6	46462755	PAWL	C15989	01			
7	7553032	SPRING	C15989	01			
8	7623208	RING	C15989	01			
8	55241713	RING	D15989	01			
9	14935924	SCREW	C15989	01			
10	13902370	PIN	C15989	01			
11	7612842	BUSH	C15989	01			
11	55253918	BUSH	D15989	01			
12	16286024	SCREW		02			
13	14454080	SEAL GASKET	C15989	01			
13	55241711	SEAL GASKET	D15989	01			
14	55239464	SPRING	C15989	01			
14	55246725	SPRING	D15989	01			
15	46516310	SPACER	C15989	01			
16	46460043	PROTECTION	C15989	01			
17	55274386	BUSH	D15989	04			
18	55241715	CUP	D15989	01			
19	55241802	SCREW	D15989	01			
19	55241771	SCREW	D15989	01			
20	55247006	PAWL	D15989	01			
21	55249799	SHAFT	D15989	01			
22	55241761	PIN	D15989	01			

Legend	
005	5-SPEED GEARBOX
1.3D	HORSE POWER (MARKET):1.3
DIESEL	FUEL:DIESEL
85HP	POWER:1.3 SDE 85HP EURO5
95HP	POWER:1.3 SDE 95HP EURO5
PCC510	GEARBOX DESIGN:GEARBOX
15989	New transmission for better manoeuvrability step 2 [DAT 01/10/2012]

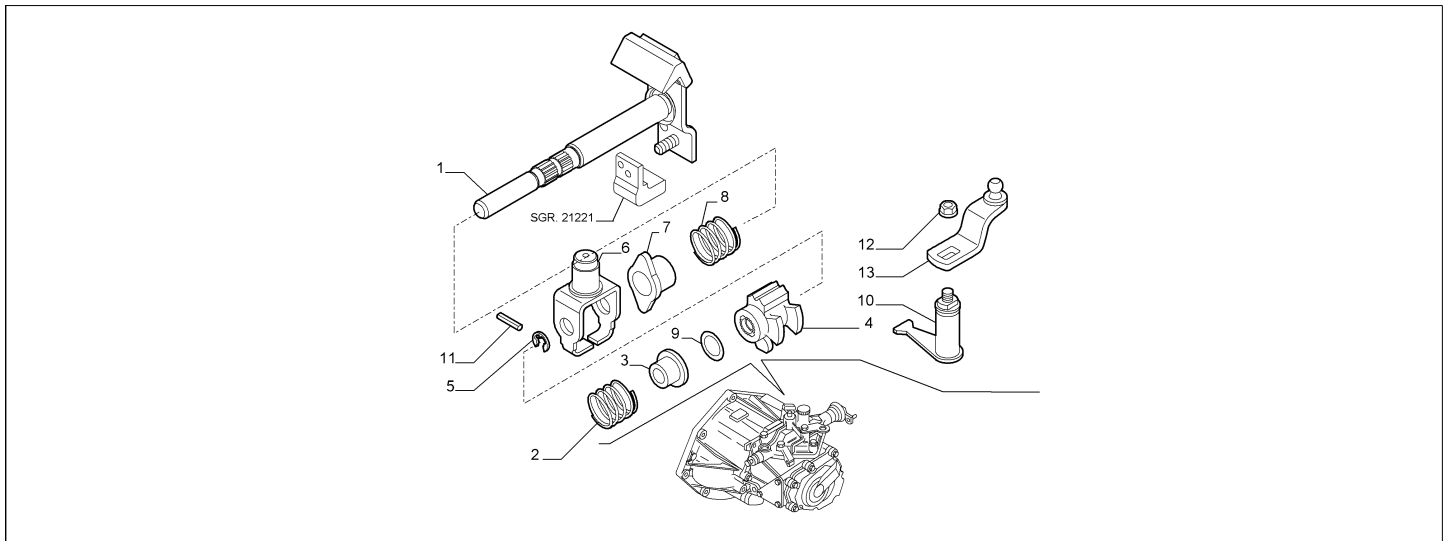
Catalogue	MITO 2011-2013	
Category	7.4 TRANSMISSION INNER CONTROLS	
Var.	03	1.4 + TURBO + PETROL + (120HP, 135HP) + PCC510
Rev.	00	



Part Num.	Description	Compatibility	Modif.	Qty	Notes	Col.	Reman.
1	55215760	SHAFT	C15989	01			
2	55239463	SPRING	C15989	01			
2	55241770	SPRING	D15989	01			
3	7612844	SPACER	C15989	01			
4	7598120	LEVER	C15989	01			
5	7729642	RIVET	C15989	01			
6	46462755	PAWL	C15989	01			
7	7553032	SPRING	C15989	01			
8	7623208	RING	C15989	01			
8	55241713	RING	D15989	01			
9	14935924	SCREW	C15989	01			
10	13902370	PIN	C15989	01			
11	7612842	BUSH	C15989	01			
11	55253918	BUSH	D15989	01			
12	16286024	SCREW		02			
13	14454080	SEAL GASKET	C15989	01			
13	55241711	SEAL GASKET	D15989	01			
14	55239464	SPRING	C15989	01			
14	55246725	SPRING	D15989	01			
15	46516310	SPACER	C15989	01			
16	46460043	PROTECTION	C15989	01			
17	55274386	BUSH	D15989	04			
18	55241715	CUP	D15989	01			
19	55241802	SCREW	D15989	01			
19	55241771	SCREW	D15989	01			
20	55247006	PAWL	D15989	01			
21	55249799	SHAFT	D15989	01			
22	55241761	PIN	D15989	01			

Legend	
TURBO	(ASPIRATED/TURBO):TURBO
1.4	HORSE POWER (MARKET):1370
PETROL	FUEL:PETROL
120HP	POWER:1.6 JTD EURO5 -1.4 FIRE TRB EURO4 120CV
135HP	POWER:1.4 FIRE 16V TURBO MULTIAIR 135 HP EURO 5
PCC510	GEARBOX DESIGN:GEARBOX
15989	New transmission for better manoeuvrability step 2 [DAT 01/10/2012]

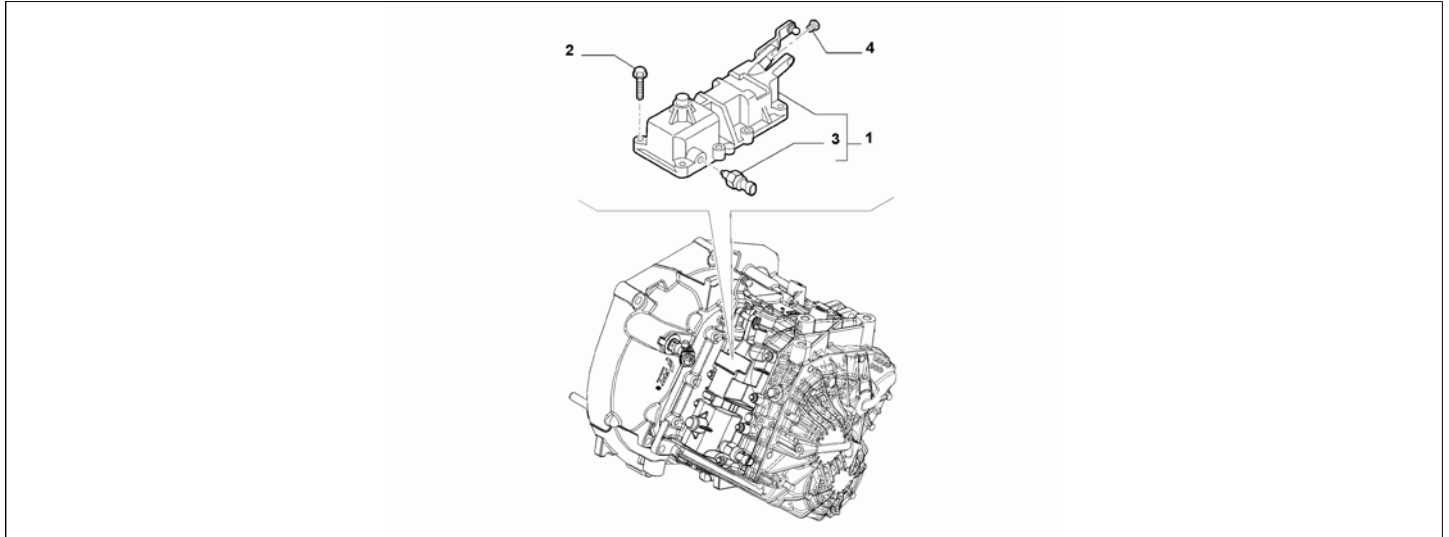
Catalogue	MITO 2011-2013	
Category	7.4 TRANSMISSION INNER CONTROLS	
Var.	04	875CC + PCC514
Rev.	00	



	Part Num.	Description	Compatibility	Modif.	Qty	Notes	Col.	Reman.
1	55227962	SHAFT		C15991	1			
1	55248180	SHAFT		D15991	1			
2	55183116	SPRING			1			
3	A 7721894	BUSH			1			
3	A 6000100186	BUSH			1			
4	55239449	SLEEVE		C15991	1			
4	A 55272049	SLEEVE		D15991	1			
4	A 6000100187	SLEEVE		D15991	1			
5	11087376	LOCKRING			1			
6	55239447	LATCH		C15991	1			
6	55241447	LATCH		D15991	1			
7	7721893	BUSH			1			
8	55183115	SPRING			1			
9	14453080	SEAL GASKET			1			
10	7666737	LEVER		C15991	1			
10	55241450	LEVER		D15991	1			
11	14164070	PIN			1			
12	7789128	NUT			1			
13	46480921	LEVER		C15991	1			
13	55241455	LEVER		D15991	1			

Legend	
875CC	HORSE POWER (MARKET):875
PCC514	GEARBOX DESIGN:GEARBOX
15991	New gearboxes for C514 maneuverability improvement step 2 [DAT 14/09/2012]

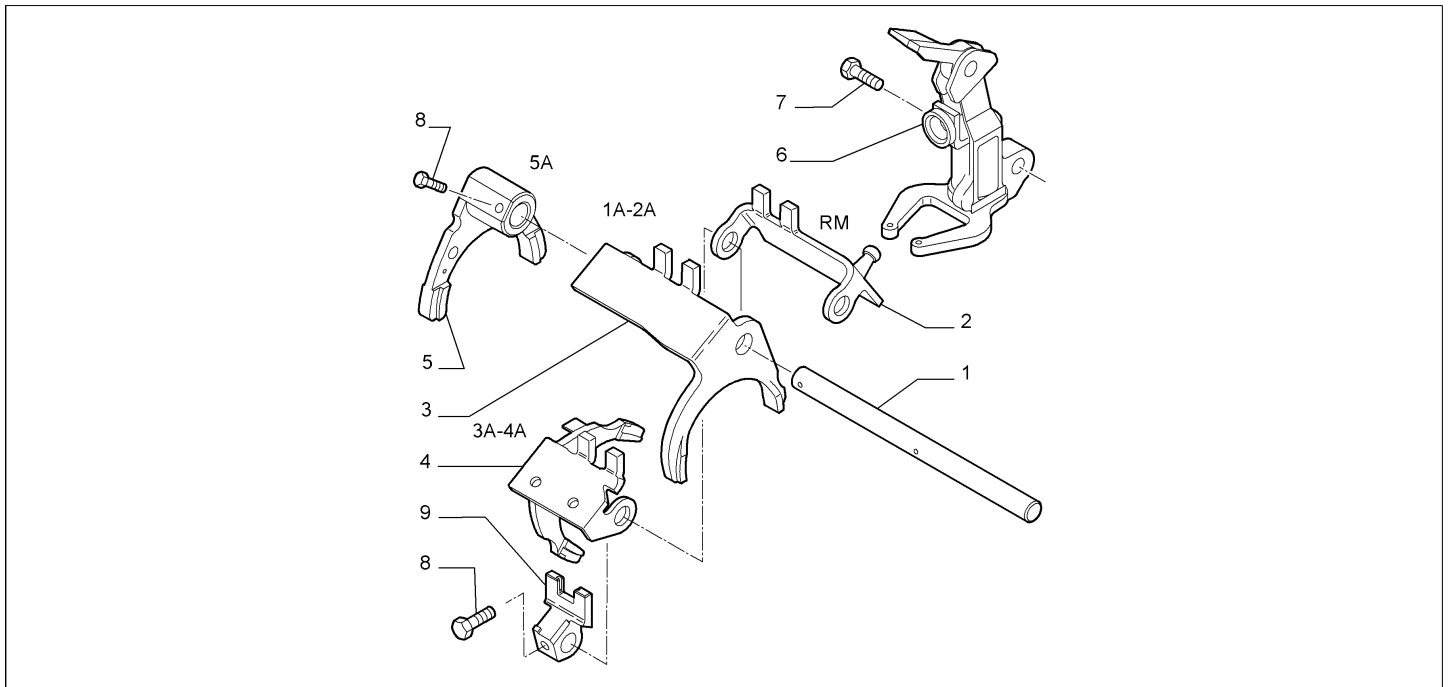
Catalogue	MITO 2011-2013	
Category	7.4 TRANSMISSION INNER CONTROLS	
Var.	01	1.4 + TURBO + PETROL + 170HP + PCC635, 1.6D + DIESEL + 120HP + PCC635
Rev.	00	



Part Num.	Description	Compatibility	Modif.	Qty	Notes	Col.	Reman.
1	55229475 CONTROL			01			
2	55278206 SCREW, M6X1X30			08			
3	46434553 SWITCH			01			
4	55207598 PLUG			01			

Legend	
TURBO	(ASPIRATED/TURBO):TURBO
1.4	HORSE POWER (MARKET):1370
1.6D	HORSE POWER (MARKET):1598
PETROL	FUEL:PETROL
DIESEL	FUEL:DIESEL
170HP	POWER:1.4 FIRE 16V TURBO MULTIAIR 170HP EURO 5
120HP	POWER:1.6 JTD EURO5 -1.4 FIRE TRB EURO4 120CV
PCC635	GEARBOX DESIGN:GEARBOX 35 KGM

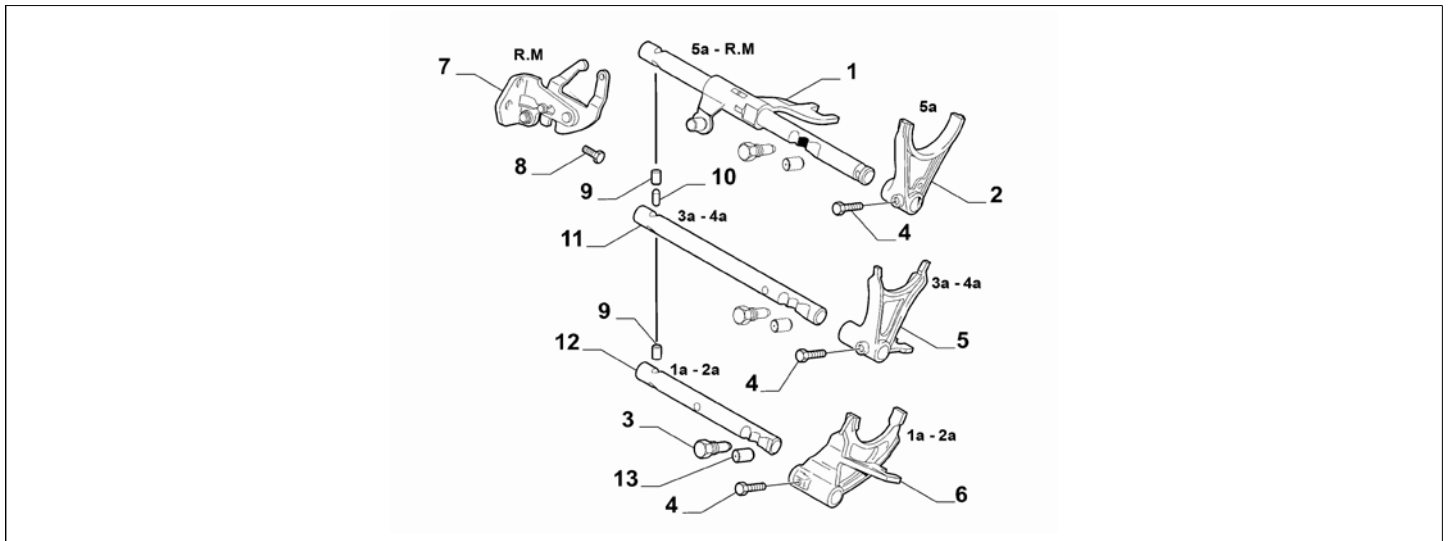
Catalogue	MITO 2011-2013	
Category	7.4 TRANSMISSION INNER CONTROLS	
Var.	01	1.4 + NOTURBO + PETROL + (70HP, 78HP, 105HP) + PCC514
Rev.	00	



	Part Num.	Description	Compatibility	Modif.	Qty	Notes	Col.	Reman.
1	7704371	ROD	1005		01			
1	7719539	ROD	005		01			
2	55201934	DOG		C15991	01			
2	55241457	DOG		D15991	01			
3	55224074	FORK		C15991	01			
3 A	55241435	FORK		D15991	01			
3 A	6000100054	FORK		D15991	01			
4	55224077	FORK		C15991	01			
4 A	55241442	FORK		D15991	01			
4 A	6000100055	FORK		D15991	01			
5	46464966	FORK			01			
6 A	73500981	SUPPORT			01			
6 A	6000100188	SUPPORT			01			
7	7680192	SCREW			02			
8	55196713	SCREW			02			
9	55283579	DOG	1005		01			
9	55264620	DOG	005		01			

Legend	
005	5-SPEED GEARBOX
NOTURBO	(ASPIRATED/TURBO):EXHAUST FAN
1.4	HORSE POWER (MARKET):1370
PETROL	FUEL:PETROL
70HP	POWER:1.4 FIRE 8V 70HP EURO5
78HP	POWER:1.4 FIRE 8V/16V 78HP EURO5
105HP	POWER:1.4 FIRE 16V MULTIAIR 105HP (EURO 5)
PCC514	GEARBOX DESIGN:GEARBOX
15991	New gearboxes for C514 maneuverability improvement step 2 [DAT 14/09/2012]

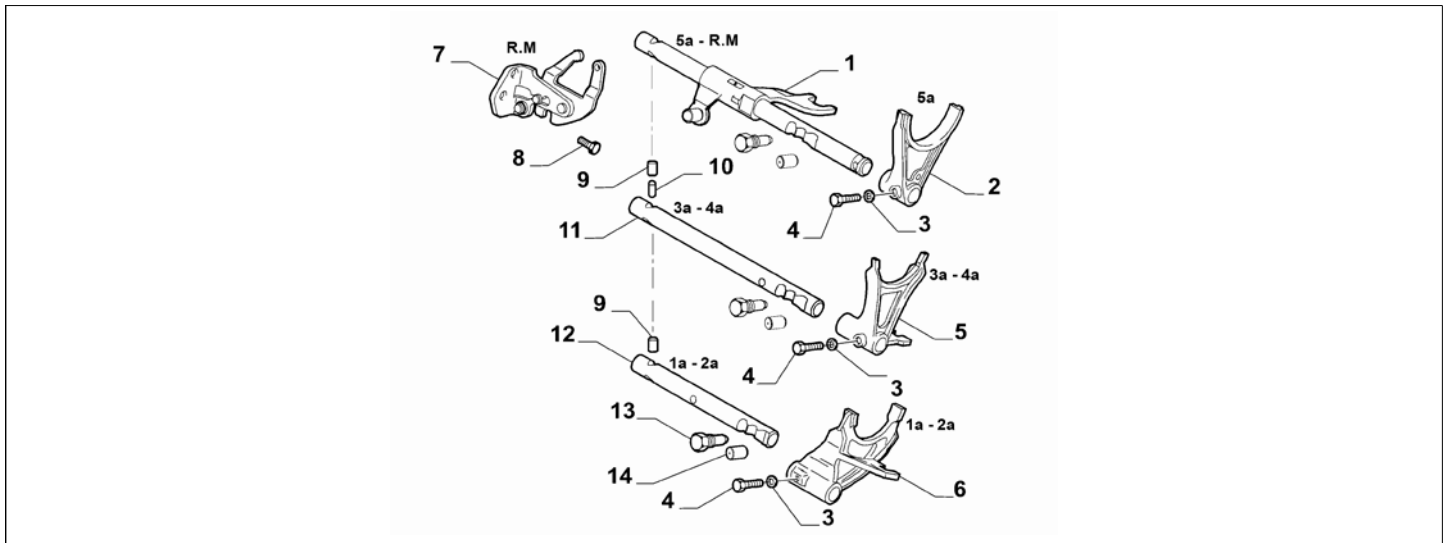
Catalogue	MITO 2011-2013	
Category	7.4 TRANSMISSION INNER CONTROLS	
Var.	02	1.3D + DIESEL + 005 + PCC510 + (95HP, 85HP)
Rev.	00	



Part Num.	Description	Compatibility	Modif.	Qty	Notes	Col.	Reman.
1	97650607	ROD	C15989	01			
1	55241767	ROD	D15989	01			
2	73503281	FORK		01			
3	46473988	PLUG	C15989	03			
4	46813027	SCREW		03			
5	46820995	FORK	C15989	01			
5	55241769	FORK	D15989	01			
6	46820993	FORK	C15989	01			
6	55241768	FORK	D15989	01			
7	55182965	LEVER		01			
8	16286024	SCREW		02			
9	874761	ROLLER	C15989	02			
10	7618232	ROLLER	C15989	01			
11	55200888	ROD	C15989	01			
11	55241763	ROD	D15989	01			
12	97650605	ROD	C15989	01			
12	55241762	ROD	D15989	01			
13	55241646	PLUG	D15989	03			

Legend	
005	5-SPEED GEARBOX
1.3D	HORSE POWER (MARKET):1.3
DIESEL	FUEL:DIESEL
85HP	POWER:1.3 SDE 85HP EURO5
95HP	POWER:1.3 SDE 95HP EURO5
PCC510	GEARBOX DESIGN:GEARBOX
15989	New transmission for better manoeuvrability step 2 [DAT 01/10/2012]

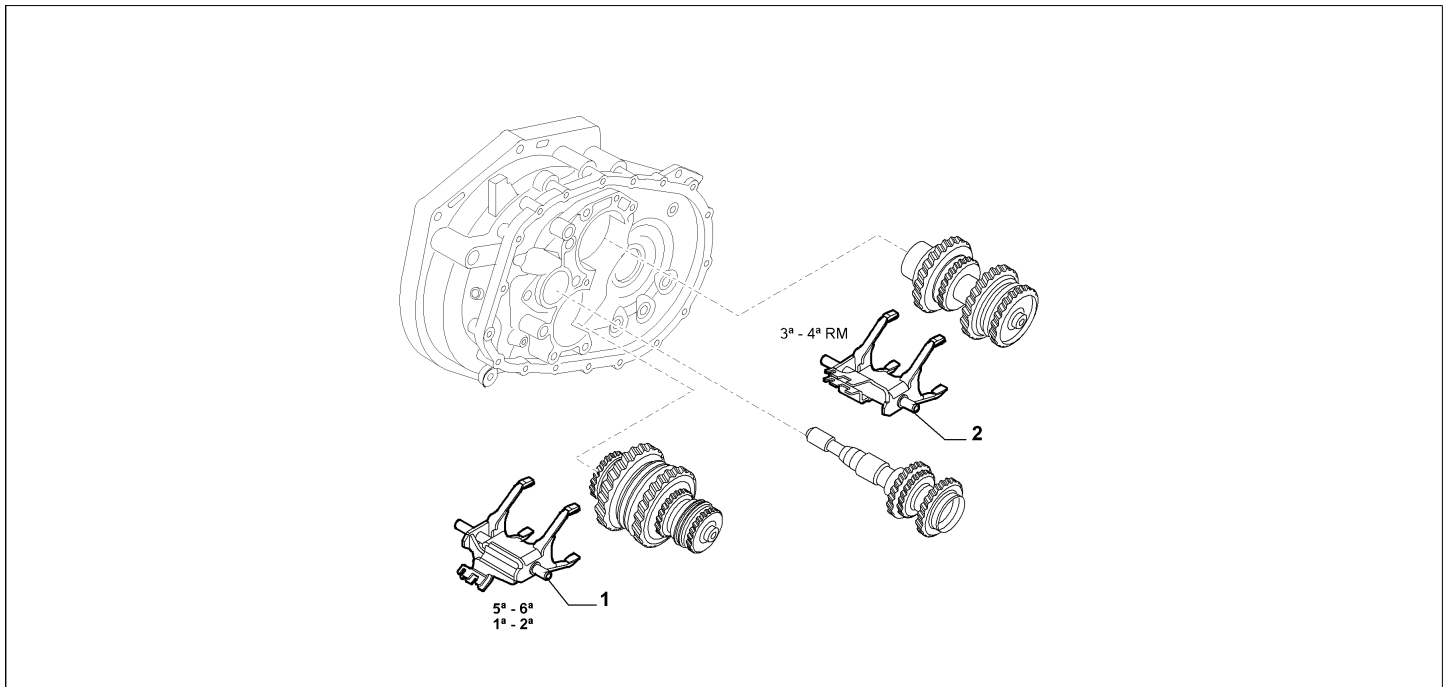
Catalogue	MITO 2011-2013	
Category	7.4 TRANSMISSION INNER CONTROLS	
Var.	03	1.4 + TURBO + PETROL + (120HP, 135HP) + PCC510
Rev.	00	



Part Num.	Description	Compatibility	Modif.	Qty	Notes	Col.	Reman.
1	97650607	ROD	C15989	01			
1	55241767	ROD	D15989	01			
2	73503281	FORK		01			
3	12601274	LOCK WASHER		03			
4	46813027	SCREW		03			
5	46820995	FORK	C15989	01			
5	55241769	FORK	D15989	01			
6	46820993	FORK	C15989	01			
6	55241768	FORK	D15989	01			
7	55182965	LEVER		01			
8	16286024	SCREW		02			
9	874761	ROLLER	C15989	02			
10	7618232	ROLLER	C15989	01			
11	55200888	ROD	C15989	01			
11	55241763	ROD	D15989	01			
12	97650605	ROD	C15989	01			
12	55241762	ROD	D15989	01			
13	46473988	PLUG	C15989	03			
14	55241646	PLUG	D15989	03			

Legend	
TURBO	(ASPIRATED/TURBO):TURBO
1.4	HORSE POWER (MARKET):1370
PETROL	FUEL:PETROL
120HP	POWER:1.6 JTD EURO5 -1.4 FIRE TRB EURO4 120CV
135HP	POWER:1.4 FIRE 16V TURBO MULTIAIR 135 HP EURO 5
PCC510	GEARBOX DESIGN:GEARBOX
15989	New transmission for better manoeuvrability step 2 [DAT 01/10/2012]

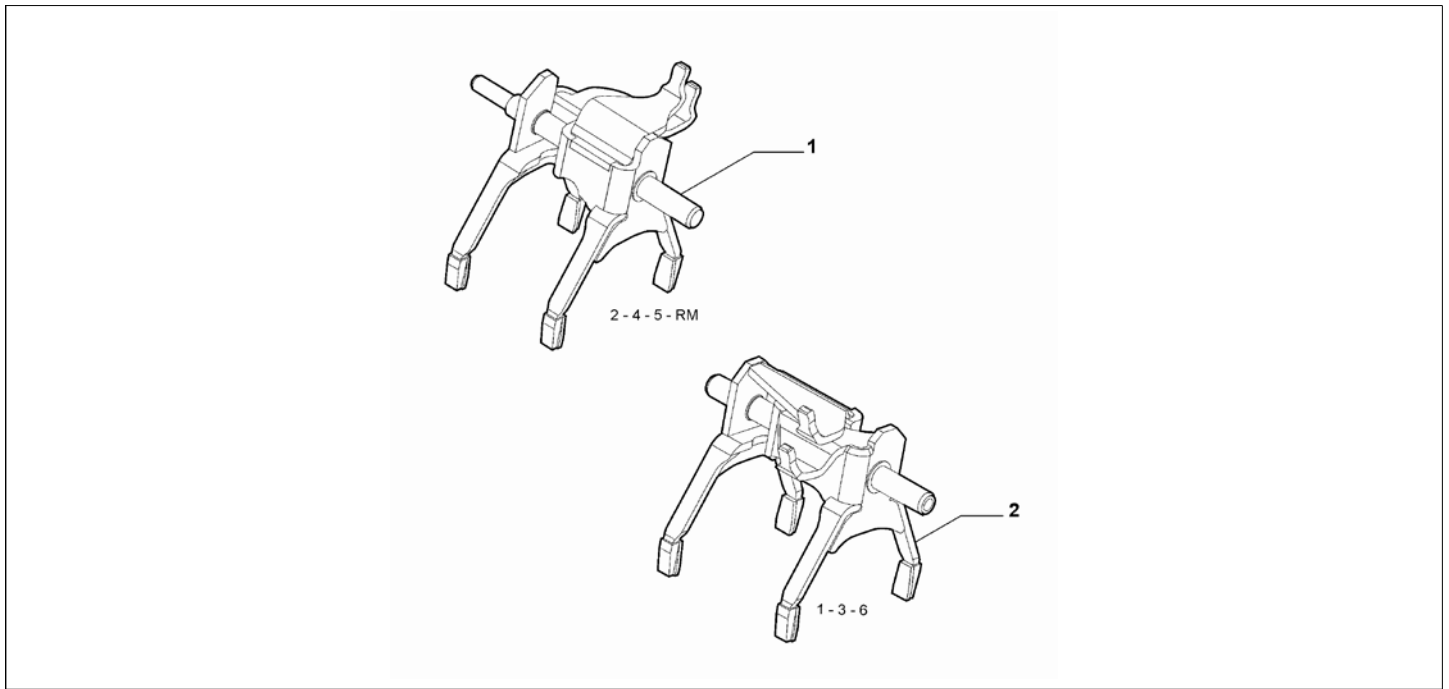
Catalogue	MITO 2011-2013	
Category	7.4 TRANSMISSION INNER CONTROLS	
Var.	04	1.4 + TURBO + PETROL + 170HP + PCC635, 1.6D + DIESEL + 120HP + PCC635
Rev.	00	



Part Num.	Description	Compatibility	Modif.	Qty	Notes	Col.	Reman.
1	55276178 FORK			01			
2	55276182 FORK			01			

Legend	
TURBO	(ASPIRATED/TURBO):TURBO
1.4	HORSE POWER (MARKET):1370
1.6D	HORSE POWER (MARKET):1598
PETROL	FUEL:PETROL
DIESEL	FUEL:DIESEL
170HP	POWER:1.4 FIRE 16V TURBO MULTIAIR 170HP EURO 5
120HP	POWER:1.6 JTD EURO5 -1.4 FIRE TRB EURO4 120CV
PCC635	GEARBOX DESIGN:GEARBOX 35 KGM

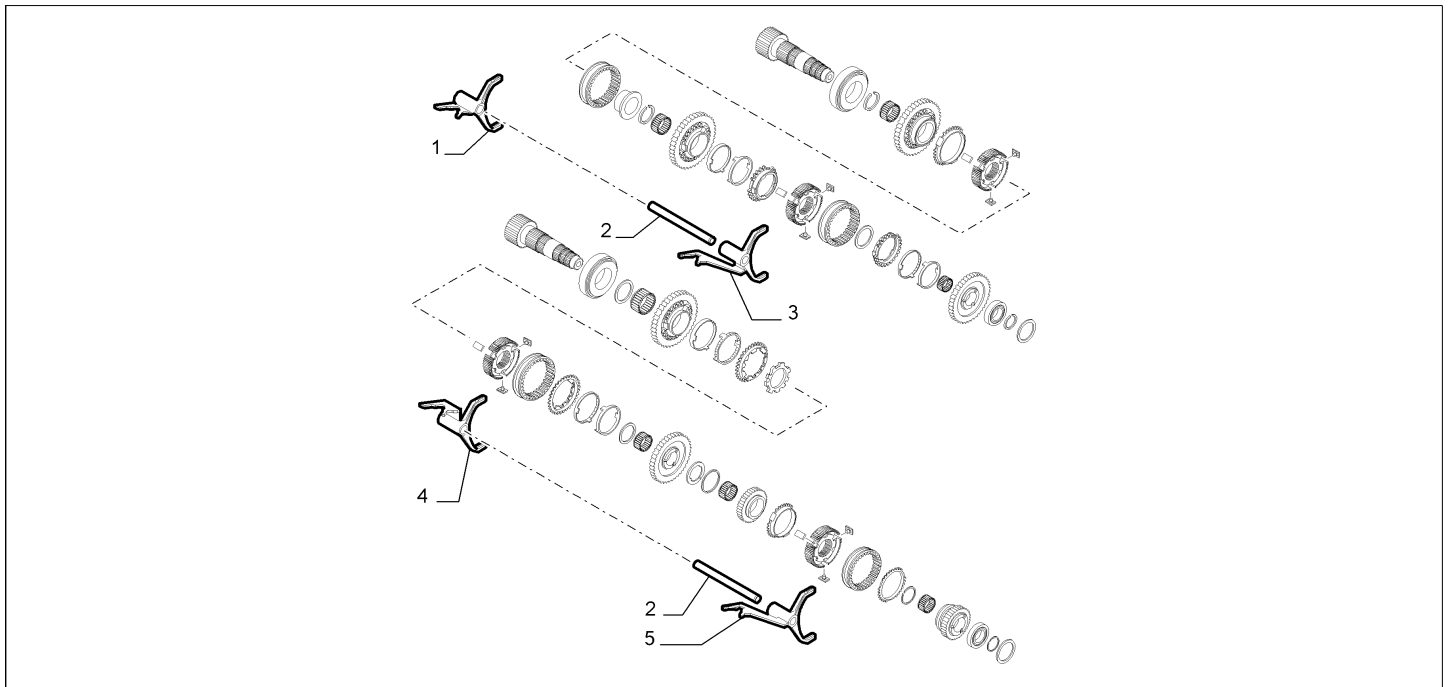
Catalogue	MITO 2011-2013	
Category	7.4 TRANSMISSION INNER CONTROLS	
Var.	05	1.4 + TURBO + PETROL + 135HP + TCT
Rev.	00	



Part Num.	Description	Compatibility	Modif.	Qty	Notes	Col.	Reman.
1	55278479 FORK			1	FORCELLA 2-4-5-RM		
2	55278482 FORK			1	FORCELLA 1-3-6 VEL		

Legend	
TCT	SPECIFIC GEARBOX
TURBO	(ASPIRATED/TURBO):TURBO
1.4	HORSE POWER (MARKET):1370
PETROL	FUEL:PETROL
135HP	POWER:1.4 FIRE 16V TURBO MULTIAIR 135 HP EURO 5

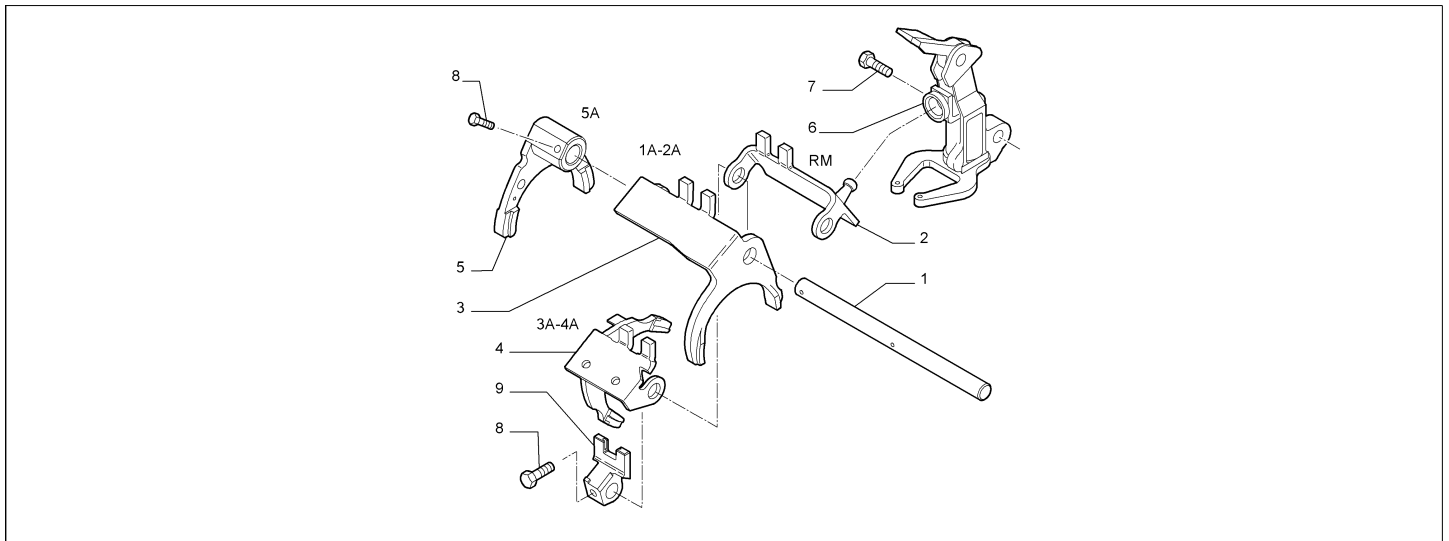
Catalogue	MITO 2011-2013	
Category	7.4 TRANSMISSION INNER CONTROLS	
Var.	06	1.6D + DIESEL + 076 + PCC544
Rev.	00	C14156



Part Num.	Description	Compatibility	Modif.	Qty	Notes	Col.	Reman.
1	55560109 FORK			01			
2	55350411 SHAFT			02			
3	55560107 FORK			01			
4	55560106 FORK			01			
5	55560108 FORK			01			

Legend	
076	GEARBOX 6 M
1.6D	HORSE POWER (MARKET):1598
DIESEL	FUEL:DIESEL
PCC544	GEARBOX DESIGN:GEARBOX 20/28 KGM (M20/M28 3H)
14156	C542 -C544 GEARBOX MANUFATURING DISCONTINUED [DAT 30/12/2010]

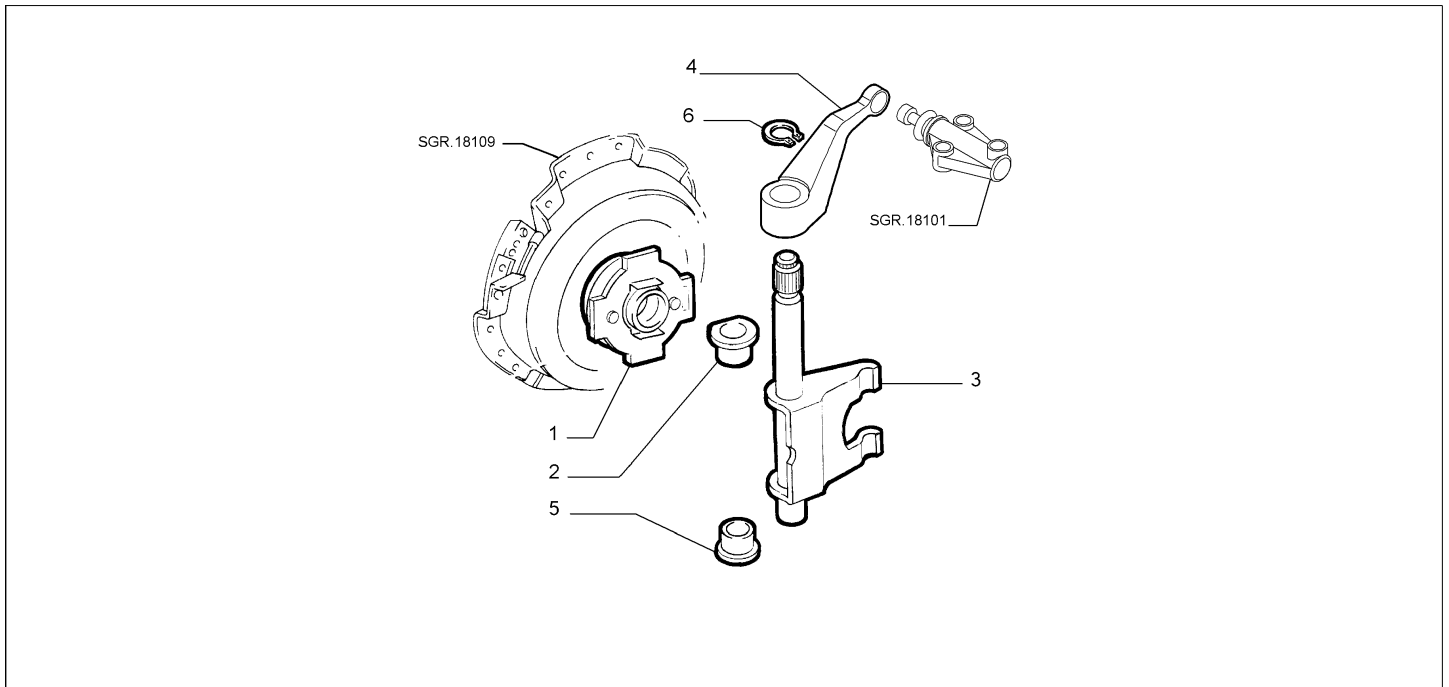
Catalogue	MITO 2011-2013	
Category	7.4 TRANSMISSION INNER CONTROLS	
Var.	07	875CC + PCC514
Rev.	00	



	Part Num.	Description	Compatibility	Modif.	Qty	Notes	Col.	Reman.
1	7704371	ROD			1			
2	55201934	DOG		C15991	1			
2	55241457	DOG		D15991	1			
3	55224074	FORK		C15991	1			
3 A	55241435	FORK		D15991	1			
3 A	6000100054	FORK		D15991	1			
4	55224077	FORK		C15991	1			
4 A	55241442	FORK		D15991	1			
4 A	6000100055	FORK		D15991	1			
5	46464966	FORK			1			
6 A	73500981	SUPPORT			1			
6 A	6000100188	SUPPORT			1			
7	7680192	SCREW			2			
8	55196713	SCREW			2			
9	55283579	DOG			1			

Legend	
875CC	HORSE POWER (MARKET):875
PCC514	GEARBOX DESIGN:GEARBOX
15991	New gearboxes for C514 maneuverability improvement step 2 [DAT 14/09/2012]

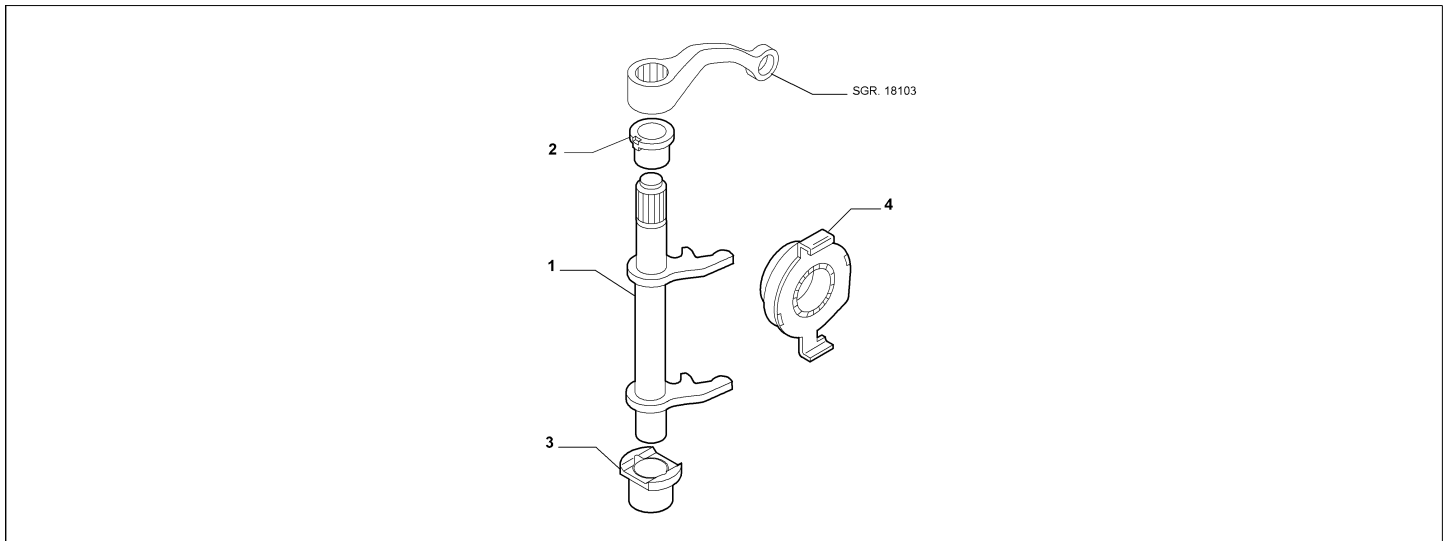
Catalogue	MITO 2011-2013	
Category	7.4 TRANSMISSION INNER CONTROLS	
Var.	01	1.4 + NOTURBO + PETROL + (70HP, 78HP, 105HP) + PCC514
Rev.	00	



	Part Num.	Description	Compatibility	Modif.	Qty	Notes	Col.	Reman.
1	55220302	SLEEVE W/BEARING			01			
2	46543813	BUSH			01			
3	A 55250936	SHAFT			01			
3	A 6000100056	SHAFT			01			
4	46761574	LEVER			01			
5	46543812	BUSH			01			
6	11066276	LOCKRING			01			

Legend	
NOTURBO	(ASPIRATED/TURBO):EXHAUST FAN
1.4	HORSE POWER (MARKET):1370
PETROL	FUEL:PETROL
70HP	POWER:1.4 FIRE 8V 70HP EURO5
78HP	POWER:1.4 FIRE 8V/16V 78HP EURO5
105HP	POWER:1.4 FIRE 16V MULTIAIR 105HP (EURO 5)
PCC514	GEARBOX DESIGN:GEARBOX

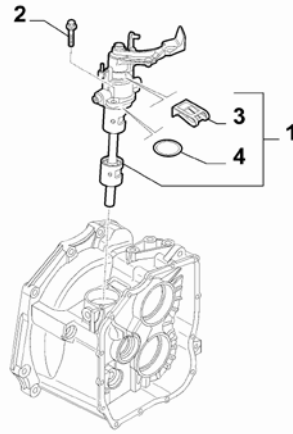
Catalogue	MITO 2011-2013	
Category	7.4 TRANSMISSION INNER CONTROLS	
Var.	02	1.3D + DIESEL + 005 + PCC510 + 95HP
Rev.	00	



Part Num.	Description	Compatibility	Modif.	Qty	Notes	Col.	Reman.
1	46814721 SHAFT			01			
2	46784963 BUSH			01			
3	46784964 BUSH			01			
4	46821336 SLEEVE W/BEARING			01			

Legend	
005	5-SPEED GEARBOX
1.3D	HORSE POWER (MARKET):1.3
DIESEL	FUEL:DIESEL
95HP	POWER:1.3 SDE 95HP EURO5
PCC510	GEARBOX DESIGN:GEARBOX

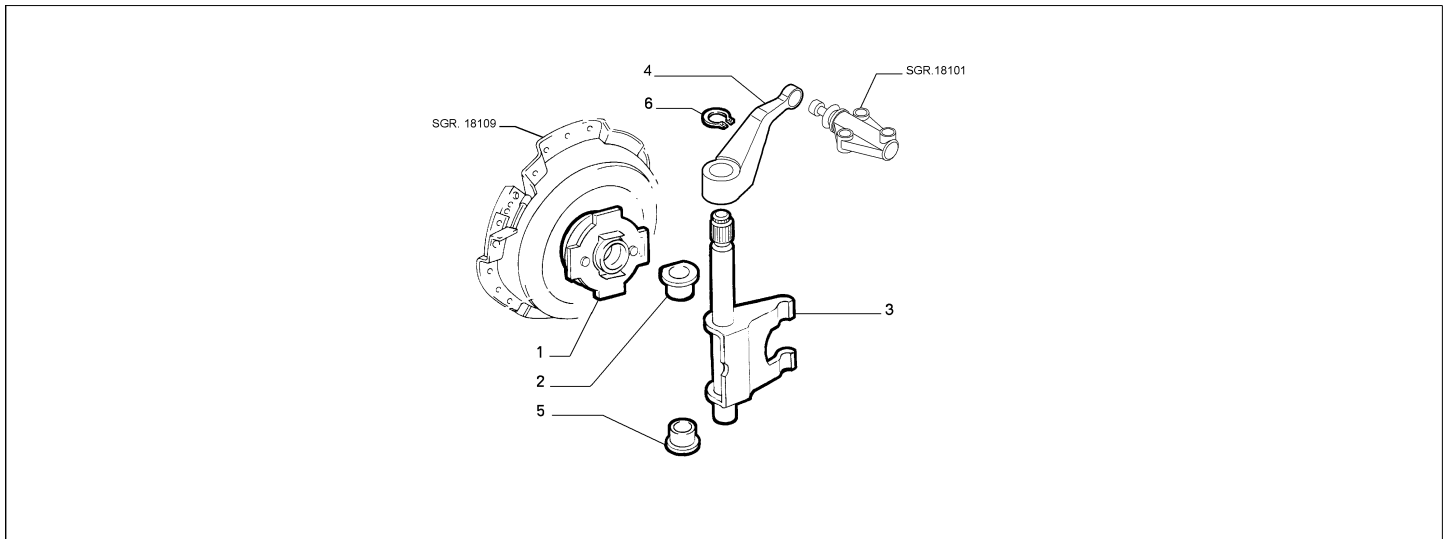
Catalogue	MITO 2011-2013	
Category	7.4 TRANSMISSION INNER CONTROLS	
Var.	03	1.6D + DIESEL + PCC544 + 076
Rev.	00	C14156



Part Num.	Description	Compatibility	Modif.	Qty	Notes	Col.	Reman.
1	55563741 CONTROL			01			
2	71734263 SCREW			02			
3	55564528 CLIP			01			
4	71748395 SEAL GASKET			01			

Legend	
076	GEARBOX 6 M
1.6D	HORSE POWER (MARKET):1598
DIESEL	FUEL:DIESEL
PCC544	GEARBOX DESIGN:GEARBOX 20/28 KGM (M20/M28 3H)
14156	C542 -C544 GEARBOX MANUFATURING DISCONTINUED [DAT 30/12/2010]

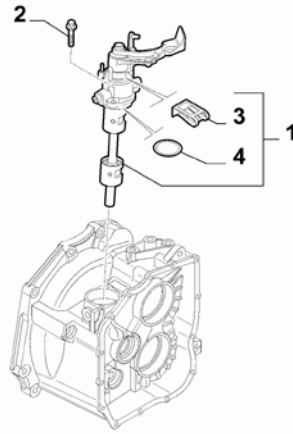
Catalogue	MITO 2011-2013	
Category	7.4 TRANSMISSION INNER CONTROLS	
Var.	04	875CC + PCC514
Rev.	00	



	Part Num.	Description	Compatibility	Modif.	Qty	Notes	Col.	Reman.
1	55220302	SLEEVE W/BEARING			1			
2	46543813	BUSH			1			
3 A	55250936	SHAFT			1			
3 A	6000100056	SHAFT			1			
4	46761574	LEVER			1			
5	46543812	BUSH			1			
6	11066276	LOCKRING			1			

Legend	
875CC	HORSE POWER (MARKET):875
PCC514	GEARBOX DESIGN:GEARBOX

Catalogue	MITO 2011-2013	
Category	7.4 TRANSMISSION INNER CONTROLS	
Var.	05	1.4 + PETROL + 155HP + PCC544 + 076
Rev.	00	C14156



Part Num.	Description	Compatibility	Modif.	Qty	Notes	Col.	Reman.
1	55563741 CONTROL			01			
2	71734263 SCREW			02			
3	55564528 CLIP			01			
4	71748395 SEAL GASKET			01			

Legend	
076	GEARBOX 6 M
1.4	HORSE POWER (MARKET):1370
PETROL	FUEL:PETROL
155HP	POWER:1.4 FIRE 16V TURBO 155HP (EURO 5)
PCC544	GEARBOX DESIGN:GEARBOX 20/28 KGM (M20/M28 3H)
14156	C542 -C544 GEARBOX MANUFATURING DISCONTINUED [DAT 30/12/2010]