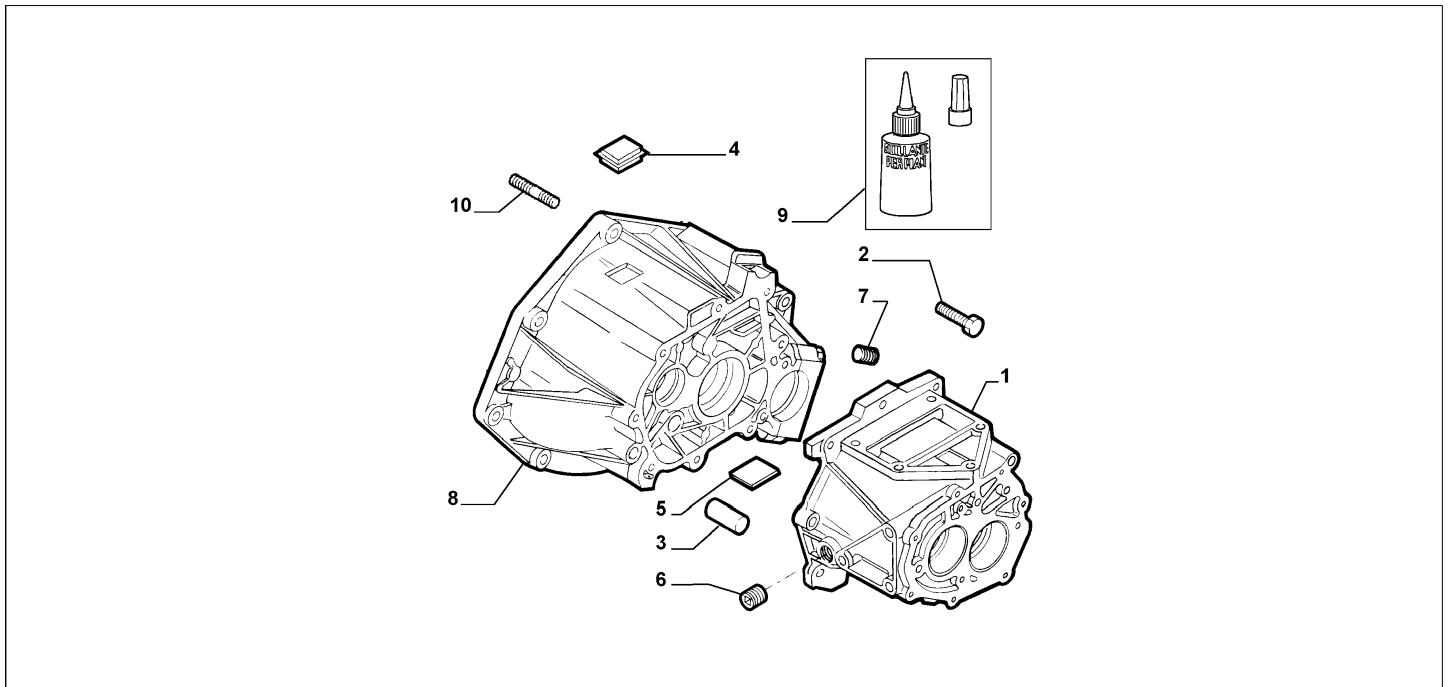


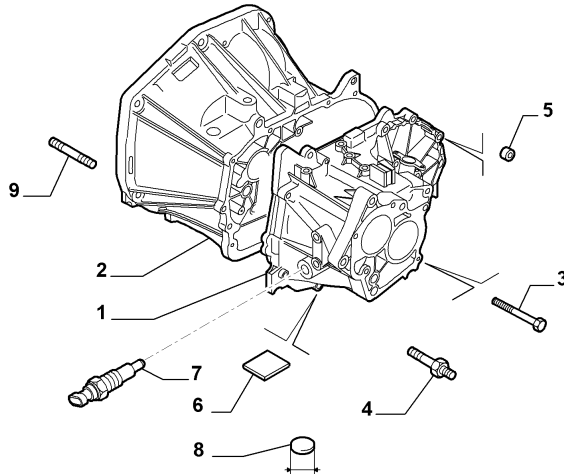
Catalogue	MITO 2011-2013	
Category	7.2 TRANSMISSION CASE AND COVERS	
Var.	01	1.4 + NOTURBO + PETROL + (70HP, 78HP, 105HP) + PCC514
Rev.	00	



Part Num.	Description	Compatibility	Modif.	Qty	Notes	Col.	Reman.
1	55204702 CASE		C15991	01			
1	55245458 CASE		D15991	01			
2	18752924 SCREW			08			
3	55264969 DOWEL			02			
4	7650065 PLUG			01			
5	7604757 MAGNET			01			
6	55189930 PLUG			01			
7	55189931 PLUG			01			
8	55204041 SUPPORT		C15991	01			
8	55245402 SUPPORT		D15991	01			
9	71779552 SEALER			01			
10	73500475 STUD			01			

Legend	
NOTURBO	(ASPIRATED/TURBO):EXHAUST FAN
1.4	HORSE POWER (MARKET):1370
PETROL	FUEL:PETROL
70HP	POWER:1.4 FIRE 8V 70HP EURO5
78HP	POWER:1.4 FIRE 8V/16V 78HP EURO5
105HP	POWER:1.4 FIRE 16V MULTIAIR 105HP (EURO 5)
PCC514	GEARBOX DESIGN:GEARBOX
15991	New gearboxes for C514 maneuverability improvement step 2 [DAT 14/09/2012]

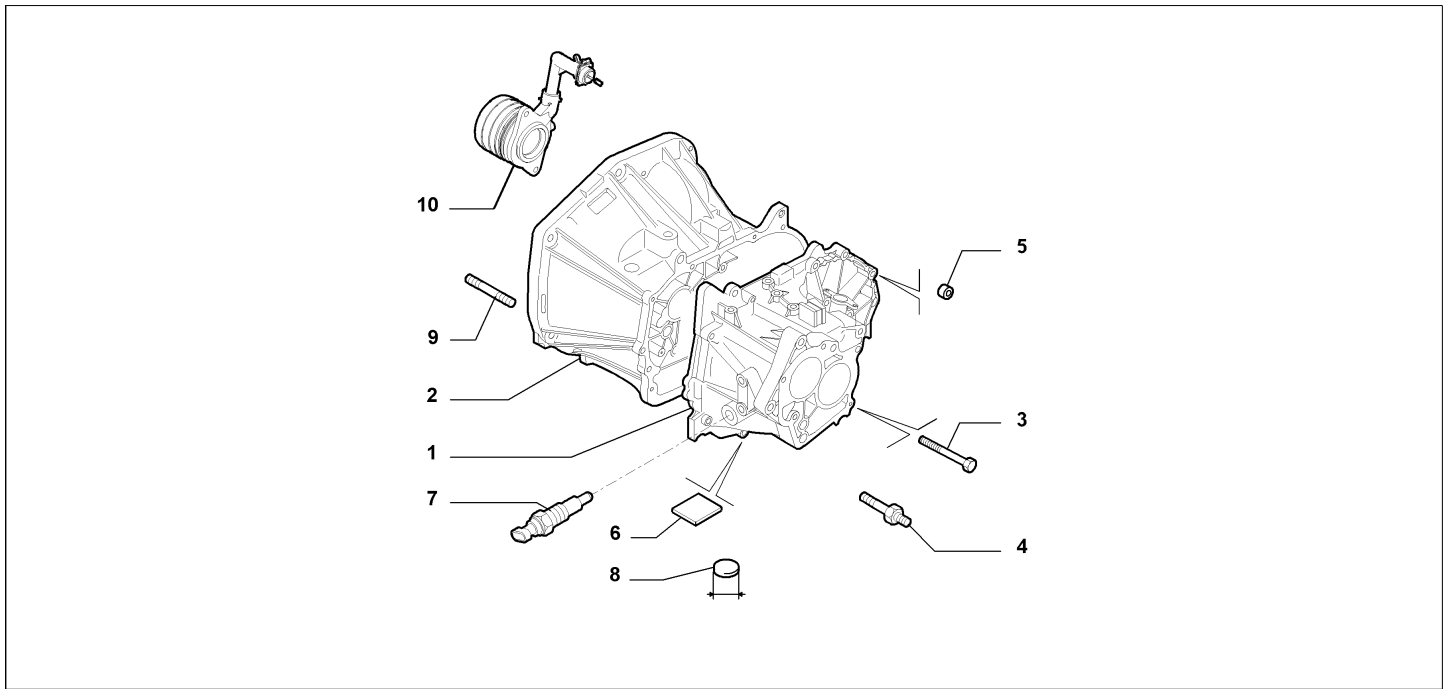
Catalogue	MITO 2011-2013	
Category	7.2 TRANSMISSION CASE AND COVERS	
Var.	02	1.3D + DIESEL + 005 + PCC510 + (95HP, 85HP)
Rev.	00	



Part Num.	Description	Compatibility	Modif.	Qty	Notes	Col.	Reman.
1	55229496	CASE	C15989	01			
1	55242466	CASE	D15989	01			
2	55229490	SUPPORT	95HP	C15989	01		
2	55241799	SUPPORT	95HP	D15989	01		
2	55241383	SUPPORT	85HP	C15989	01		
2	55242014	SUPPORT	85HP	D15989	01		
3	18751921	SCREW, M8X48		08			
3	18753221	SCREW, M8X55		02			
3	18752621	SCREW, M8X30		01			
3	16287521	SCREW, M8X40		03			
3	18752821	SCREW, M8X30		02			
4	7576002	SCREW		01			
5	55264948	DOWEL		02			
6	7604757	MAGNET		01			
7	46410523	SWITCH, R.M.		01			
8	55189942	PLUG		01			
9	13554921	STUD, M12X65		01			

Legend	
005	5-SPEED GEARBOX
1.3D	HORSE POWER (MARKET):1.3
DIESEL	FUEL:DIESEL
85HP	POWER:1.3 SDE 85HP EURO5
95HP	POWER:1.3 SDE 95HP EURO5
PCC510	GEARBOX DESIGN:GEARBOX
15989	New transmission for better manoeuvrability step 2 [DAT 01/10/2012]

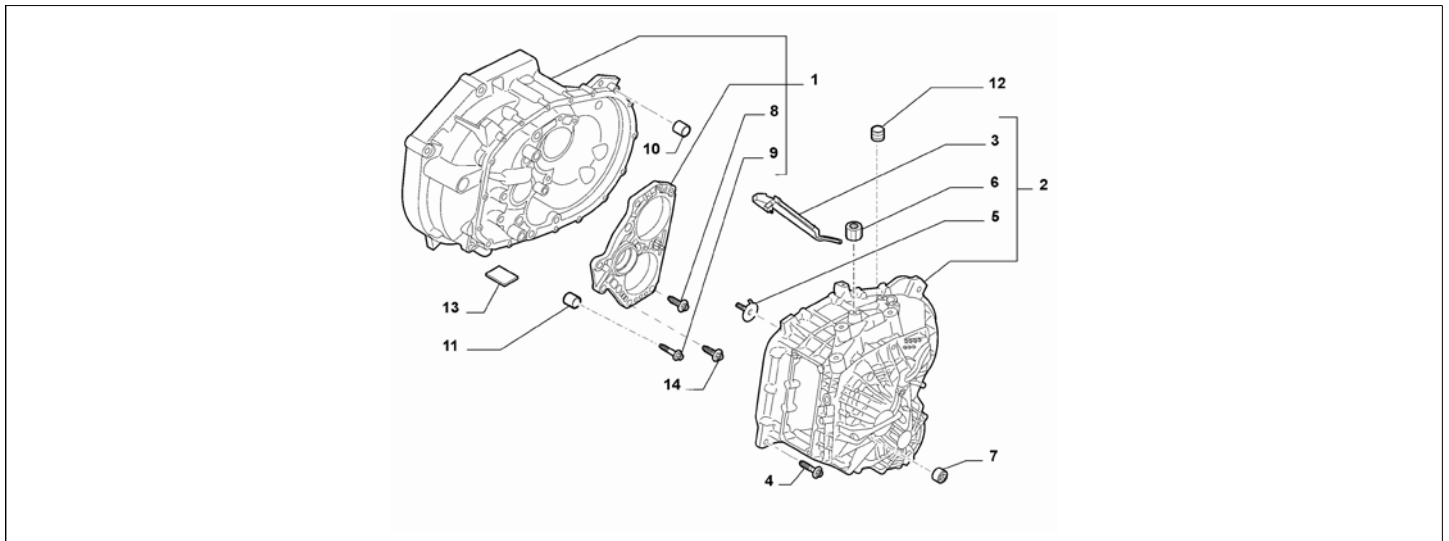
Catalogue	MITO 2011-2013	
Category	7.2 TRANSMISSION CASE AND COVERS	
Var.	03	1.4 + TURBO + PETROL + (120HP, 135HP) + PCC510
Rev.	00	



Part Num.	Description	Compatibility	Modif.	Qty	Notes	Col.	Reman.
1	55229496 CASE		C15989	01			
1	55242466 CASE		D15989	01			
2	55229487 SUPPORT		C15989	01			
2	55242010 SUPPORT		D15989	01			
3	18752824 SCREW, M8X35			02			
3	18751921 SCREW, M8X48			08			
3	18753224 SCREW, M8X55			02			
3	46463569 SCREW, M8X30			01			
3	16287521 SCREW, M8X40			03			
4	7576002 SCREW			01			
5	55264948 DOWEL			02			
6	7604757 MAGNET			01			
7	46410523 SWITCH, R.M.			01			
8	55189942 PLUG			01			
9	13554921 STUD, M12X65			01			
10	55243919 SLEEVE W/BEARING			01			

Legend	
TURBO	(ASPIRATED/TURBO):TURBO
1.4	HORSE POWER (MARKET):1370
PETROL	FUEL:PETROL
120HP	POWER:1.6 JTD EURO5 -1.4 FIRE TRB EURO4 120CV
135HP	POWER:1.4 FIRE 16V TURBO MULTIAIR 135 HP EURO 5
PCC510	GEARBOX DESIGN:GEARBOX
15989	New transmission for better manoeuvrability step 2 [DAT 01/10/2012]

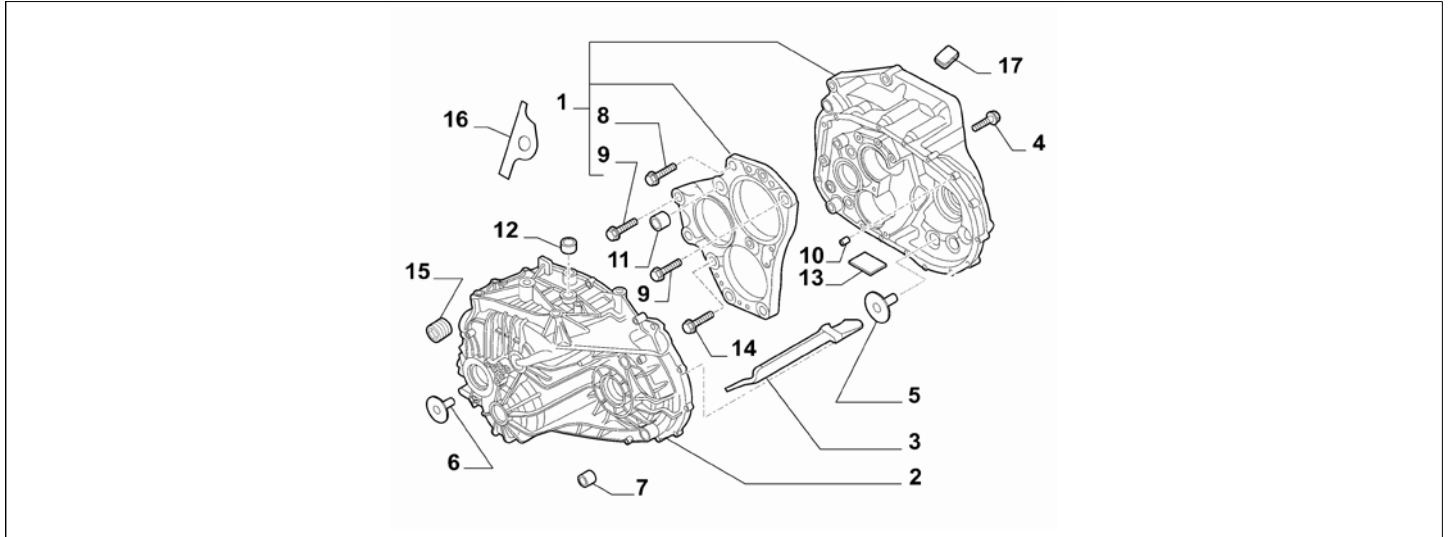
Catalogue	MITO 2011-2013	
Category	7.2 TRANSMISSION CASE AND COVERS	
Var.	04	1.4 + TURBO + PETROL + 170HP + PCC635, 1.6D + DIESEL + 120HP + PCC635
Rev.	00	



Part Num.	Description	Compatibility	Modif.	Qty	Notes	Col.	Reman.
1	55230168 SUPPORT	1.4		01			
1	55226735 SUPPORT	1.6D		01			
2	55220248 CASE			01			
3	55222867 CONVEYOR			01			
4	55245837 SCREW, M8X43			15			
4	55245107 SCREW, M8X30			03			
5	55222866 CONVEYOR			02			
6	55250208 PLUG			02			
7	7751645 MAGNETIC PLUGTWEEN CONE			01			
8	55278205 SCREW, M12X1.75X35			05			
9	55222377 SCREW, M8X1.25			03			
10	55264969 DOWEL			02			
11	55275655 DOWEL			02			
12	55189930 PLUG			01			
13	55207509 MAGNET			01			
14	55278205 SCREW, M12X1.75X35			02			

Legend	
TURBO	(ASPIRATED/TURBO):TURBO
1.4	HORSE POWER (MARKET):1370
1.6D	HORSE POWER (MARKET):1598
PETROL	FUEL:PETROL
DIESEL	FUEL:DIESEL
170HP	POWER:1.4 FIRE 16V TURBO MULTIAIR 170HP EURO 5
120HP	POWER:1.6 JTD EURO5 -1.4 FIRE TRB EURO4 120CV
PCC635	GEARBOX DESIGN:GEARBOX 35 KGM

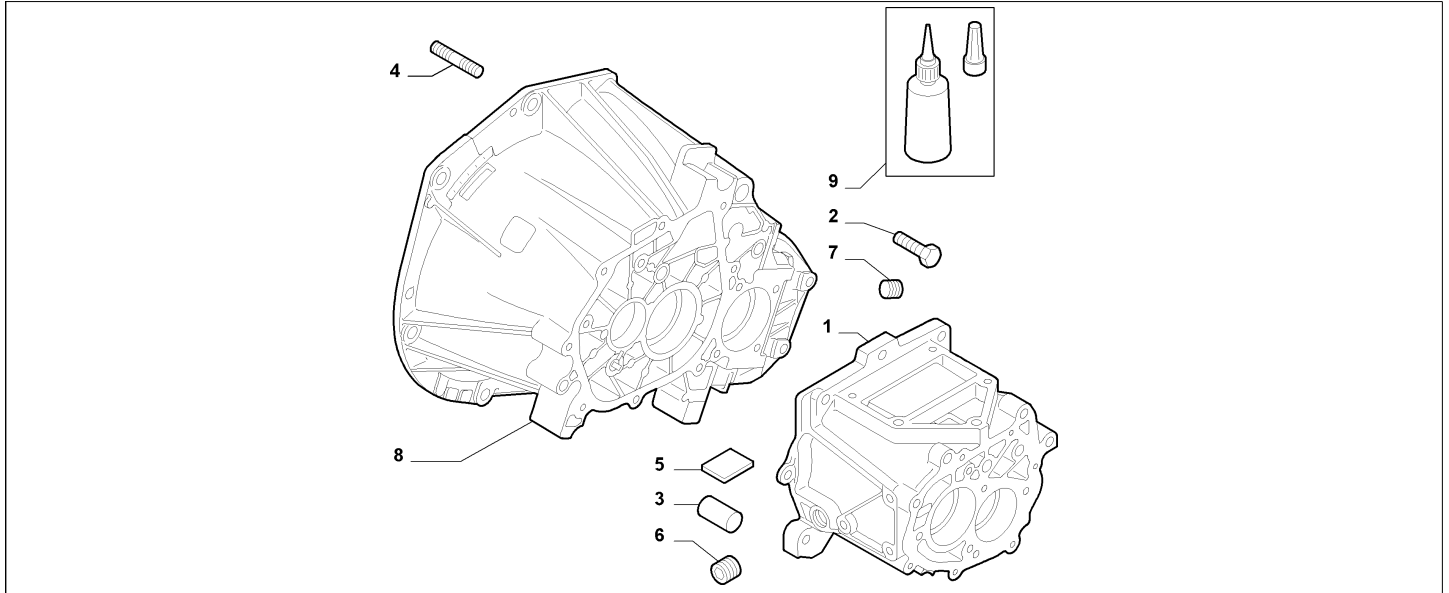
Catalogue	MITO 2011-2013	
Category	7.2 TRANSMISSION CASE AND COVERS	
Var.	05	1.4 + TURBO + PETROL + 135HP + TCT
Rev.	00	



Part Num.	Description	Compatibility	Modif.	Qty	Notes	Col.	Reman.
1	55236533	SUPPORT	C15562	01			
1	55240789	SUPPORT	D15562	01			
2	55231389	CASE		01			
3	55222867	CONVEYOR		01			
4	55245837	SCREW, M8X43		15			
4	55245107	SCREW, M8X30		03			
5	55222866	CONVEYOR		02			
6	55220023	PLATE		01			
7	7751645	MAGNETIC PLUGTWEEN CONE		01			
8	55278205	SCREW, M12X1,75X35		05			
9	55222377	SCREW, M8X1.25		03			
10	55264969	DOWEL		02			
11	55275655	DOWEL		02			
12	55189930	PLUG		01			
13	55207509	MAGNET		01			
14	55278205	SCREW, M12X1,75X35		02			
15	55250208	PLUG		1			
16	55235150	OIL SHIELD		1			
17	55235750	PLUG		1			

Legend	
TCT	SPECIFIC GEARBOX
TURBO	(ASPIRATED/TURBO):TURBO
1.4	HORSE POWER (MARKET):1370
PETROL	FUEL:PETROL
135HP	POWER:1.4 FIRE 16V TURBO MULTIAIR 135 HP EURO 5
15562	New Gearbox Junction Support [DAT 01/09/2011, TEL 1174831]

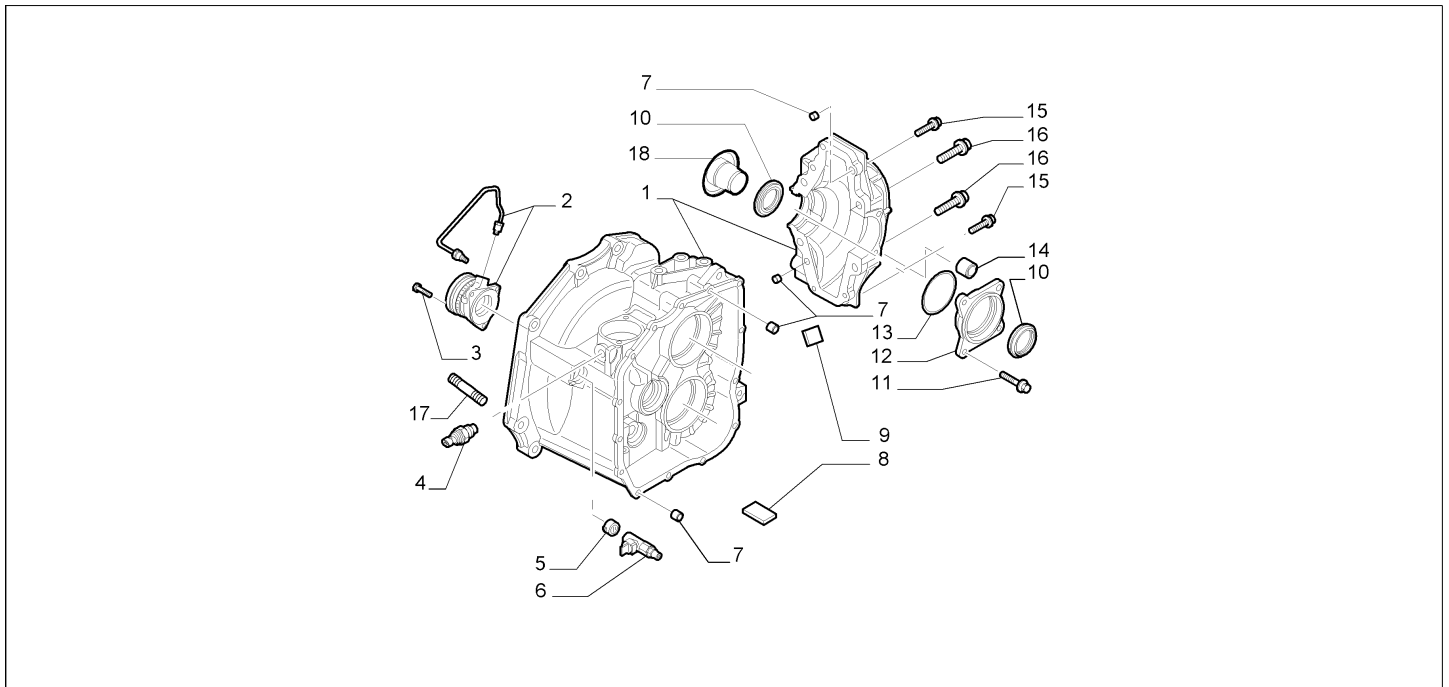
Catalogue	MITO 2011-2013	
Category	7.2 TRANSMISSION CASE AND COVERS	
Var.	06	875CC + PCC514
Rev.	00	



Part Num.	Description	Compatibility	Modif.	Qty	Notes	Col.	Reman.
1	55204702	CASE	C15991	01			
1	55245458	CASE	D15991	01			
2	18752924	SCREW		08			
3	55264969	DOWEL		02			
4	73500475	STUD		01			
5	7604757	MAGNET		01			
6	55189930	PLUG		01			
7	55189931	PLUG		01			
8	55227965	SUPPORT	C15991	01			
8	55245677	SUPPORT	D15991	01			
9	71779552	SEALER		01			

Legend	
875CC	HORSE POWER (MARKET):875
PCC514	GEARBOX DESIGN:GEARBOX
15991	New gearboxes for C514 maneuverability improvement step 2 [DAT 14/09/2012]

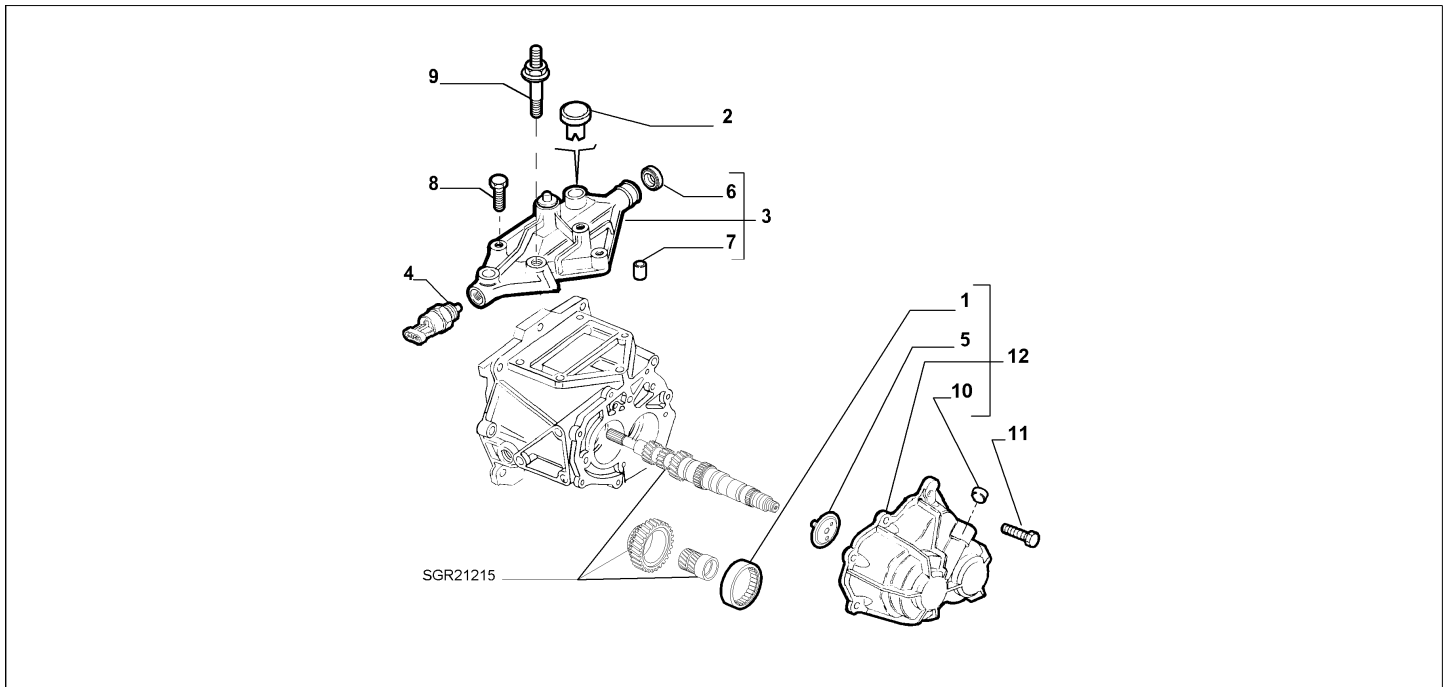
Catalogue	MITO 2011-2013	
Category	7.2 TRANSMISSION CASE AND COVERS	
Var.	07	1.4 + PETROL + 155HP + PCC544 + 076
Rev.	00	C14156



	Part Num.	Description	Compatibility	Modif.	Qty	Notes	Col.	Reman.
1	55564276	SUPPORT			01			
2	55558917	SLEEVE W/BEARING			01			
3	71747900	SCREW			03			
4	A 71740080	SWITCH			01			
4	A 6000100077	SWITCH			01			
5	55352049	SLEEVE			01			
6	55193689	CONNECTION			01			
7	71740629	DOWEL			04			
8	55563951	MAGNET			01			
9	55567563	MAGNET			01			
10	71734264	SEAL GASKET			02			
11	55557626	SCREW			04			
12	55192374	FLANGE			01			
13	71740624	SEAL GASKET			01			
14	71748231	PLUG			01			
15	71740628	SCREW			06			
16	71740627	SCREW			04			
17	46400104	STUD			01			
18	55557041	BUSH			01			

Legend	
076	GEARBOX 6 M
1.4	HORSE POWER (MARKET):1370
PETROL	FUEL:PETROL
155HP	POWER:1.4 FIRE 16V TURBO 155HP (EURO 5)
PCC544	GEARBOX DESIGN:GEARBOX 20/28 KGM (M20/M28 3H)
14156	C542 -C544 GEARBOX MANUFATURING DISCONTINUED [DAT 30/12/2010]

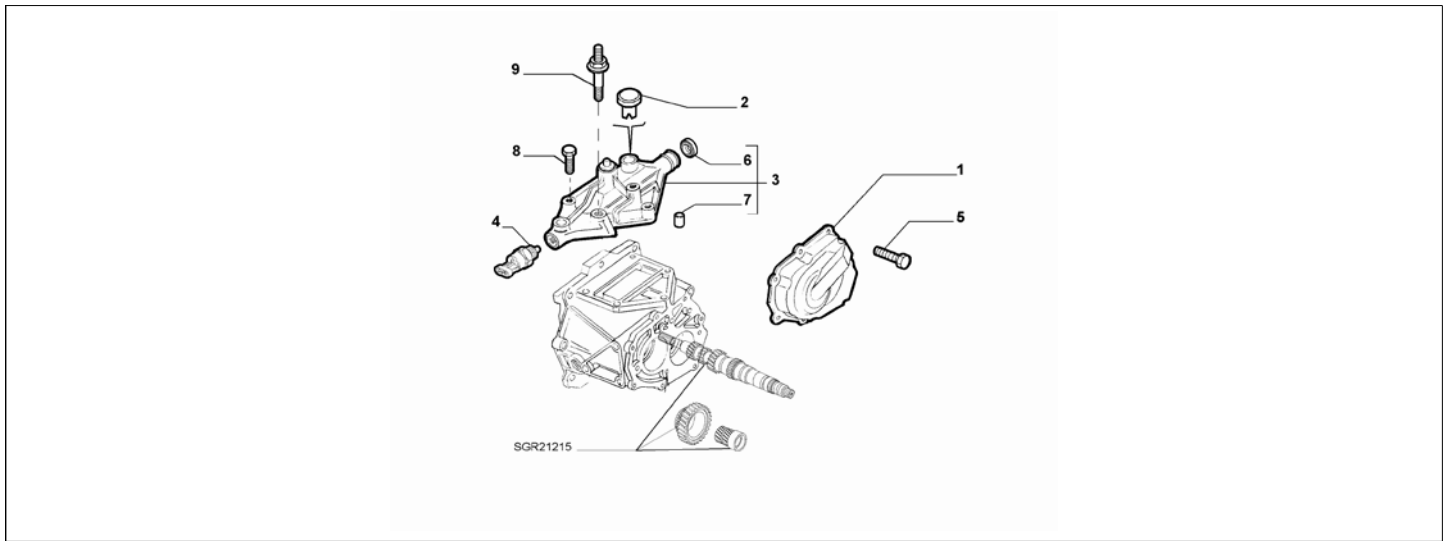
Catalogue	MITO 2011-2013	
Category	7.2 TRANSMISSION CASE AND COVERS	
Var.	01	1.4 + NOTURBO + PETROL + (70HP, 78HP, 105HP) + 076 + PCC514
Rev.	00	



	Part Num.	Description	Compatibility	Modif.	Qty	Notes	Col.	Reman.
1	7765175	BEARING			01			
2	A 46811729	PLUG			01			
2	A 6000100183	PLUG			01			
3	55198597	COVER, COMPL		C15991	01			
3	55247442	COVER, COMPL		D15991	01			
4	A 55203408	SWITCH			01			
4	A 6000100001	SWITCH			01			
5	55268951	CUP			01			
6	40004800	SEAL GASKET			01			
7	55264969	DOWEL			01			
8	18751921	SCREW			04			
9	46737097	SCREW			01			
10	14328201	PLUG			01			
11	16389324	SCREW			07			
12	A 46337925	COVER			01			
12	A 6000100002	COVER			01			

Legend	
076	GEARBOX 6 M
NOTURBO	(ASPIRATED/TURBO):EXHAUST FAN
1.4	HORSE POWER (MARKET):1370
PETROL	FUEL:PETROL
70HP	POWER:1.4 FIRE 8V 70HP EURO5
78HP	POWER:1.4 FIRE 8V/16V 78HP EURO5
105HP	POWER:1.4 FIRE 16V MULTIAIR 105HP (EURO 5)
PCC514	GEARBOX DESIGN:GEARBOX
15991	New gearboxes for C514 maneuverability improvement step 2 [DAT 14/09/2012]

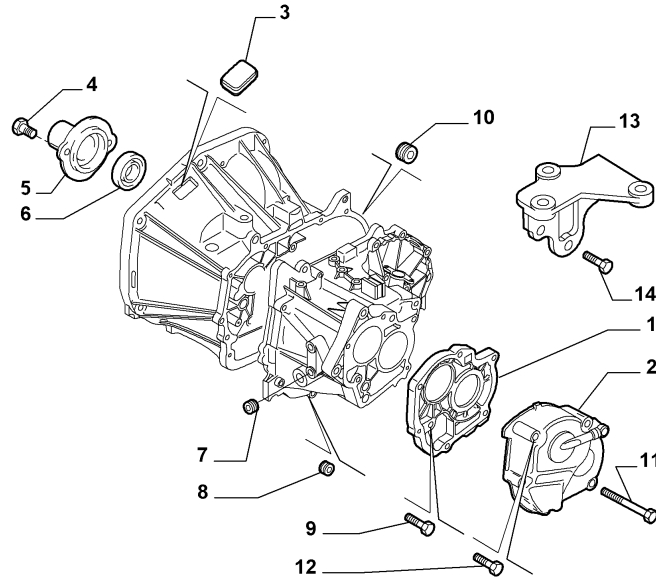
Catalogue	MITO 2011-2013	
Category	7.2 TRANSMISSION CASE AND COVERS	
Var.	02	1.4 + NOTURBO + PETROL + (70HP, 78HP) + 005 + PCC514
Rev.	00	



	Part Num.	Description	Compatibility	Modif.	Qty	Notes	Col.	Reman.
1	7702490	COVER			1			
2	A 46811729	PLUG			1			
2	A 6000100183	PLUG			1			
3	55198597	COVER, COMPL		C15991	1			
3	55247442	COVER, COMPL		D15991	1			
4	A 55203408	SWITCH			1			
4	A 6000100001	SWITCH			1			
5	55192180	SCREW			7			
6	40004800	SEAL GASKET			1			
7	55264969	DOWEL			1			
8	18751921	SCREW			4			
9	46737097	SCREW			1			

Legend	
005	5-SPEED GEARBOX
NOTURBO	(ASPIRATED/TURBO):EXHAUST FAN
1.4	HORSE POWER (MARKET):1370
PETROL	FUEL:PETROL
70HP	POWER:1.4 FIRE 8V 70HP EURO5
78HP	POWER:1.4 FIRE 8V/16V 78HP EURO5
PCC514	GEARBOX DESIGN:GEARBOX
15991	New gearboxes for C514 maneuverability improvement step 2 [DAT 14/09/2012]

Catalogue	MITO 2011-2013	
Category	7.2 TRANSMISSION CASE AND COVERS	
Var.	03	1.3D + DIESEL + 005 + PCC510 + (95HP, 85HP)
Rev.	00	

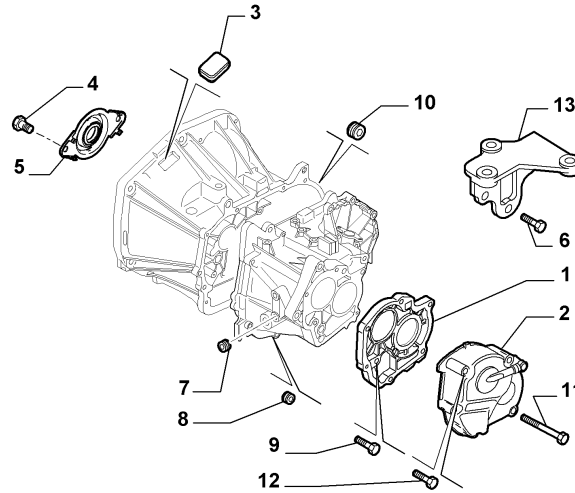


Part Num.	Description	Compatibility	Modif.	Qty	Notes	Col.	Reman.
1	55200660 PLATE		C15989	01			
1	55240654 PLATE		D15989	01			
2	46480562 COVER		C15989	01			
2	55239266 COVER		D15989	01			
3	7649901 PLUG	95HP		01			
4	7575472 SCREW	95HP		02			
5	46411117 COVER	95HP		01			
6	40004820 SEAL GASKET	95HP		01			
7	55189930 PLUG, M22			01			
8	55230505 PLUG, M18			01			
9	18752521 SCREW		C15989	06			
9	55186116 SCREW AND WASHER ASSY		D15989	06			
10	55230506 MAGNETIC PLUG TWEEN CONE, M22			01			
11	18753021 SCREW, M8X45			03			
11	18753821 SCREW, M8X90			01			
11	16287621 SCREW, M8X55			01			
12	7633380 SCREW			01			
13	46736750 SUPPORT			01			
14	18752221 SCREW			01			

Legend

005	5-SPEED GEARBOX
1.3D	HORSE POWER (MARKET):1.3
DIESEL	FUEL:DIESEL
85HP	POWER:1.3 SDE 85HP EURO5
95HP	POWER:1.3 SDE 95HP EURO5
PCC510	GEARBOX DESIGN:GEARBOX
15989	New transmission for better manoeuvrability step 2 [DAT 01/10/2012]

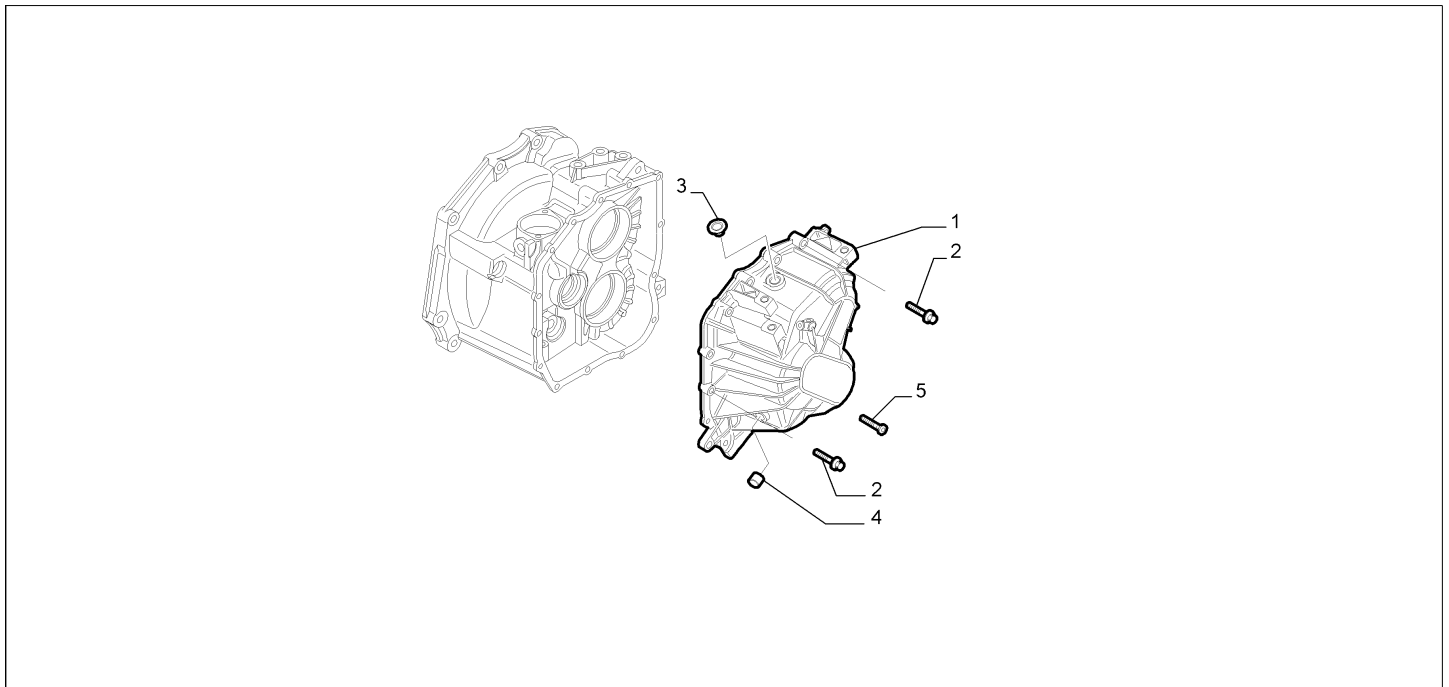
Catalogue	MITO 2011-2013	
Category	7.2 TRANSMISSION CASE AND COVERS	
Var.	04	1.4 + TURBO + PETROL + (120HP, 135HP) + PCC510
Rev.	00	



Part Num.	Description	Compatibility	Modif.	Qty	Notes	Col.	Reman.
1	55200660 PLATE		C15989	01			
1	55240654 PLATE		D15989	01			
2	46480562 COVER		C15989	01			
2	55239266 COVER		D15989	01			
3	7649901 PLUG			01			
4	7575472 SCREW			02			
5	55210247 COVER			01			
6	18752224 SCREW			01			
7	55189930 PLUG, M22			01			
8	55230505 PLUG, M18			01			
9	18752424 SCREW			01			
10	7751645 MAGNETIC PLUGTWEEN CONE, M22			01			
11	18753024 SCREW, M8X45			03			
11	18753824 SCREW, M8X90			01			
11	16287624 SCREW, M8X55			01			
12	7633380 SCREW			01			
13	46736750 SUPPORT			01			

Legend	
TURBO	(ASPIRATED/TURBO):TURBO
1.4	HORSE POWER (MARKET):1370
PETROL	FUEL:PETROL
120HP	POWER:1.6 JTD EURO5 -1.4 FIRE TRB EURO4 120CV
135HP	POWER:1.4 FIRE 16V TURBO MULTIAIR 135 HP EURO 5
PCC510	GEARBOX DESIGN:GEARBOX
15989	New transmission for better manoeuvrability step 2 [DAT 01/10/2012]

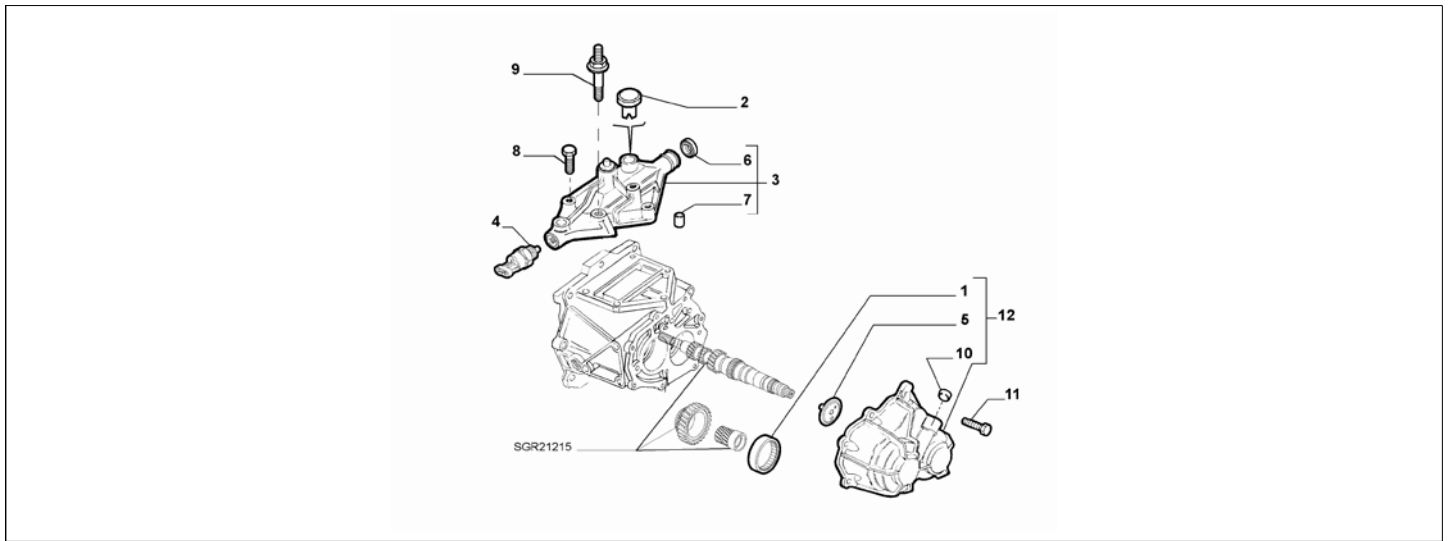
Catalogue	MITO 2011-2013	
Category	7.2 TRANSMISSION CASE AND COVERS	
Var.	05	1.6D + DIESEL + PCC544 + 076
Rev.	00	C14156



Part Num.	Description	Compatibility	Modif.	Qty	Notes	Col.	Reman.
1	55354986 CASE			01			
2	71740633 SCREW			15			
3	55206059 PLUG			01			
4	71748231 PLUG			01			
5	55557445 SCREW			01			

Legend	
076	GEARBOX 6 M
1.6D	HORSE POWER (MARKET):1598
DIESEL	FUEL:DIESEL
PCC544	GEARBOX DESIGN:GEARBOX 20/28 KGM (M20/M28 3H)
14156	C542 -C544 GEARBOX MANUFATURING DISCONTINUED [DAT 30/12/2010]

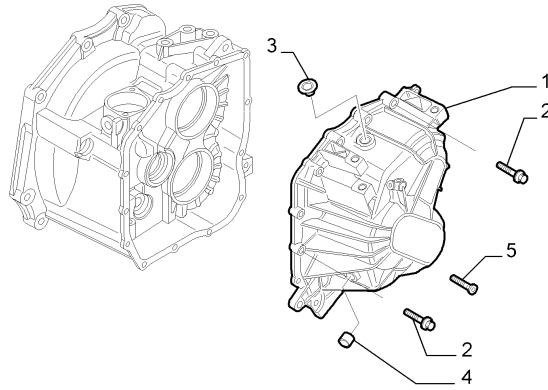
Catalogue	MITO 2011-2013	
Category	7.2 TRANSMISSION CASE AND COVERS	
Var.	06	875CC + PCC514
Rev.	00	



	Part Num.	Description	Compatibility	Modif.	Qty	Notes	Col.	Reman.
1	7765175	BEARING			1			
2	A 46811729	PLUG			1			
2	A 6000100183	PLUG			1			
3	55198597	COVER, COMPL		C15991	1			
3	55247442	COVER, COMPL		D15991	1			
4	A 55203408	SWITCH			1			
4	A 6000100001	SWITCH			1			
5	55268951	CUP			1			
6	55240149	SEAL GASKET			1			
7	55264969	DOWEL			1			
8	18751921	SCREW			4			
9	46737097	SCREW			1			
10	14328201	PLUG			1			
11	16389324	SCREW			7			
12	A 46337925	COVER			1			
12	A 6000100002	COVER			1			

Legend	
875CC	HORSE POWER (MARKET):875
PCC514	GEARBOX DESIGN:GEARBOX
15991	New gearboxes for C514 maneuverability improvement step 2 [DAT 14/09/2012]

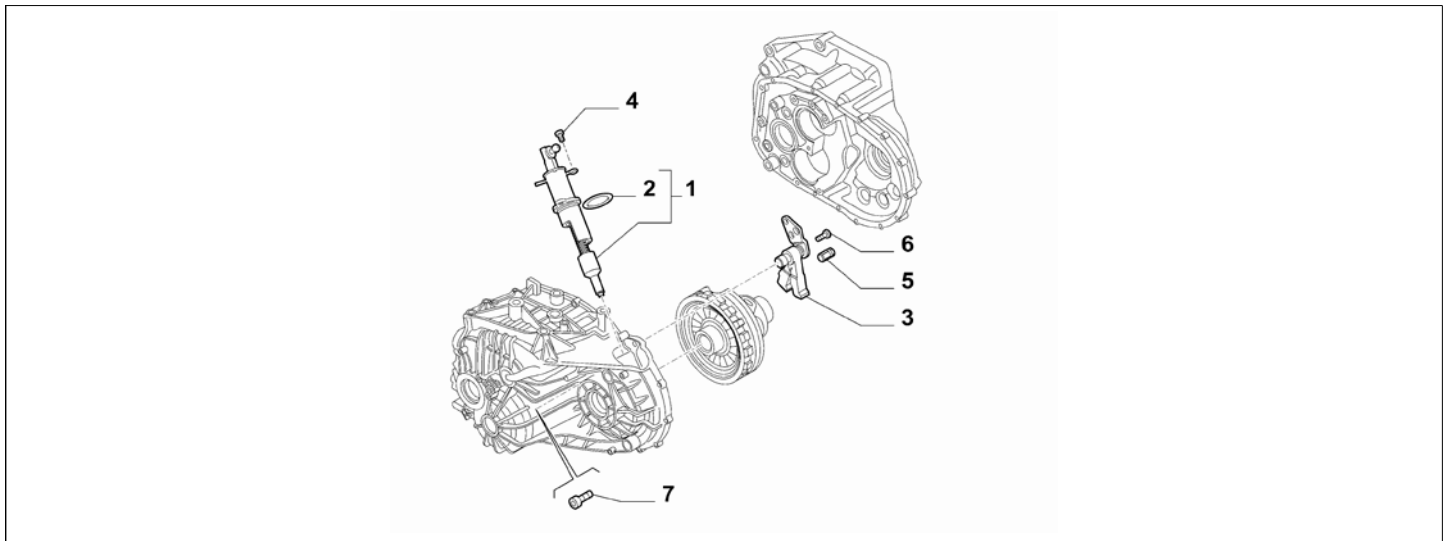
Catalogue	MITO 2011-2013	
Category	7.2 TRANSMISSION CASE AND COVERS	
Var.	07	1.4 + PETROL + 155HP + PCC544 + 076
Rev.	00	C14156



Part Num.	Description	Compatibility	Modif.	Qty	Notes	Col.	Reman.
1	55354986 CASE			01			
2	71740633 SCREW			15			
3	55206059 PLUG			01			
4	71748231 PLUG			01			
5	55557445 SCREW			01			

Legend	
076	GEARBOX 6 M
1.4	HORSE POWER (MARKET):1370
PETROL	FUEL:PETROL
155HP	POWER:1.4 FIRE 16V TURBO 155HP (EURO 5)
PCC544	GEARBOX DESIGN:GEARBOX 20/28 KGM (M20/M28 3H)
14156	C542 -C544 GEARBOX MANUFATURING DISCONTINUED [DAT 30/12/2010]

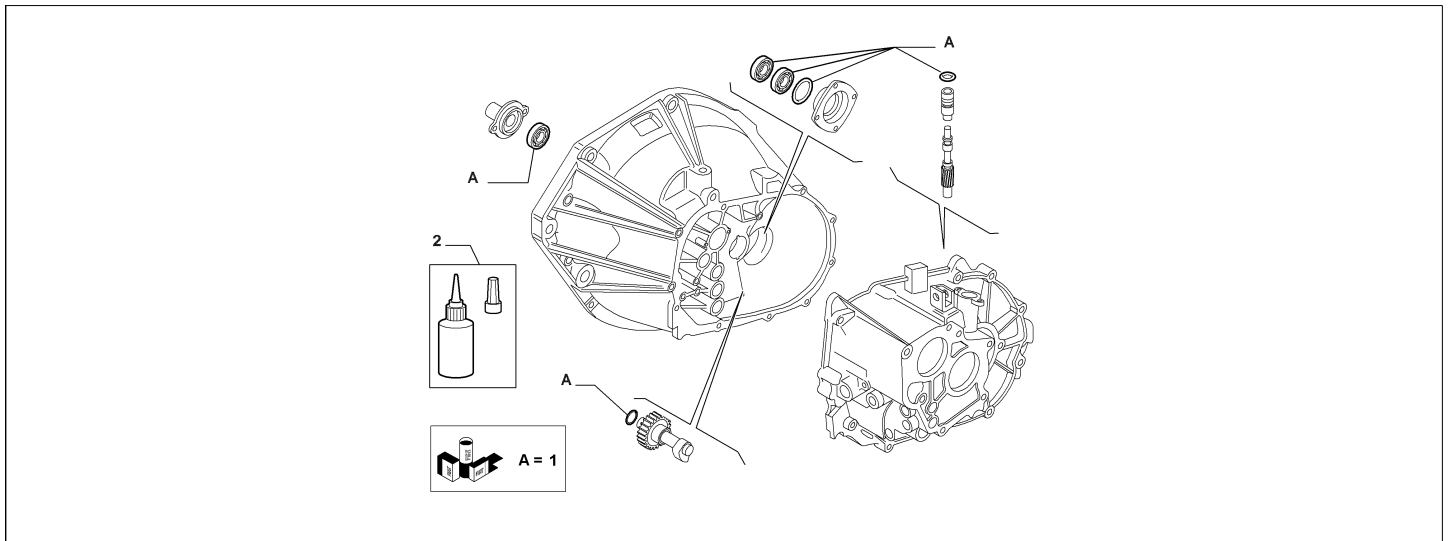
Catalogue	MITO 2011-2013	
Category	7.2 TRANSMISSION CASE AND COVERS	
Var.	01	1.4 + TURBO + PETROL + 135HP + TCT
Rev.	00	



Part Num.	Description	Compatibility	Modif.	Qty	Notes	Col.	Reman.
1	55231240 ACTUATOR			01			
2	55227023 SEAL GASKET			01			
3	55234326 LEVER			01			
4	14433121 SCREW			01			
5	55231255 PIN			02			
6	55234503 SCREW			01			
7	55231505 BEARING			02			

Legend	
TCT	SPECIFIC GEARBOX
TURBO	(ASPIRATED/TURBO):TURBO
1.4	HORSE POWER (MARKET):1370
PETROL	FUEL:PETROL
135HP	POWER:1.4 FIRE 16V TURBO MULTIAIR 135 HP EURO 5

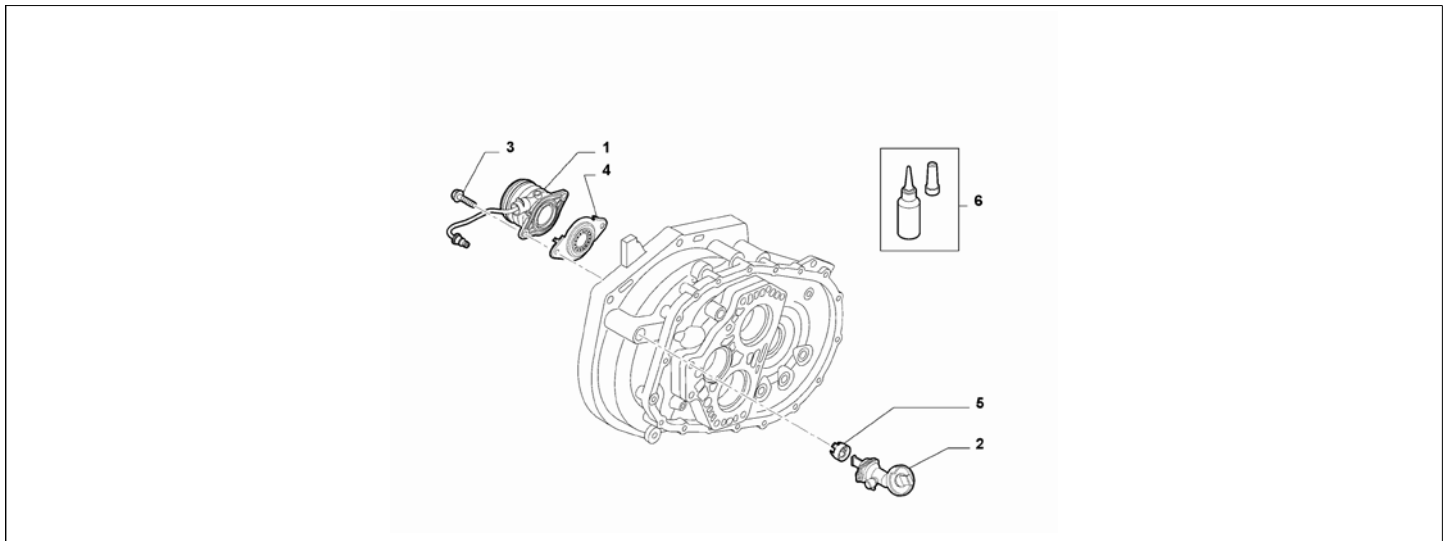
Catalogue	MITO 2011-2013	
Category	7.2 TRANSMISSION CASE AND COVERS	
Var.	01	1.3D + DIESEL + 95HP + 005 + PCC510
Rev.	00	



Part Num.	Description	Compatibility	Modif.	Qty	Notes	Col.	Reman.
1	5888941 TRANSMISSION GASKETS		C15509	0S			
2	71779552 SEALER			01			

Legend	
005	5-SPEED GEARBOX
1.3D	HORSE POWER (MARKET):1.3
DIESEL	FUEL:DIESEL
95HP	POWER:1.3 SDE 95HP EURO5
PCC510	GEARBOX DESIGN:GEARBOX
15509	New springs for maneuverability improvement [DAT 09/05/2012]

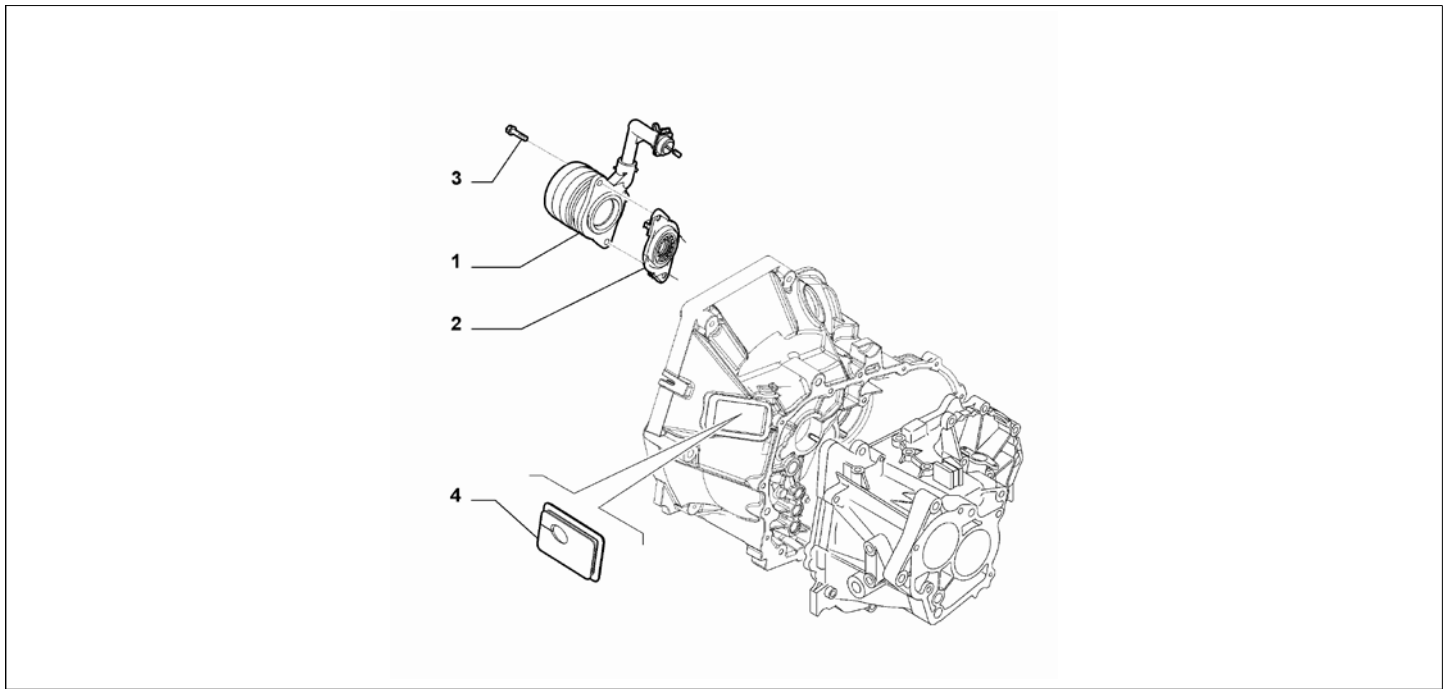
Catalogue	MITO 2011-2013	
Category	7.2 TRANSMISSION CASE AND COVERS	
Var.	01	1.4 + TURBO + PETROL + 170HP + PCC635, 1.6D + DIESEL + 120HP + PCC635
Rev.	00	



Part Num.	Description	Compatibility	Modif.	Qty	Notes	Col.	Reman.
1	55224014 ACTUATOR			01			
2	55235782 CONNECTION			01			
3	16297024 SCREW			02			
4	55210247 COVER			01			
5	55232325 CLIP			01			
6	71779552 SEALER			01			

Legend	
TURBO	(ASPIRATED/TURBO):TURBO
1.4	HORSE POWER (MARKET):1370
1.6D	HORSE POWER (MARKET):1598
PETROL	FUEL:PETROL
DIESEL	FUEL:DIESEL
170HP	POWER:1.4 FIRE 16V TURBO MULTIAIR 170HP EURO 5
120HP	POWER:1.6 JTD EURO5 -1.4 FIRE TRB EURO4 120CV
PCC635	GEARBOX DESIGN:GEARBOX 35 KGM

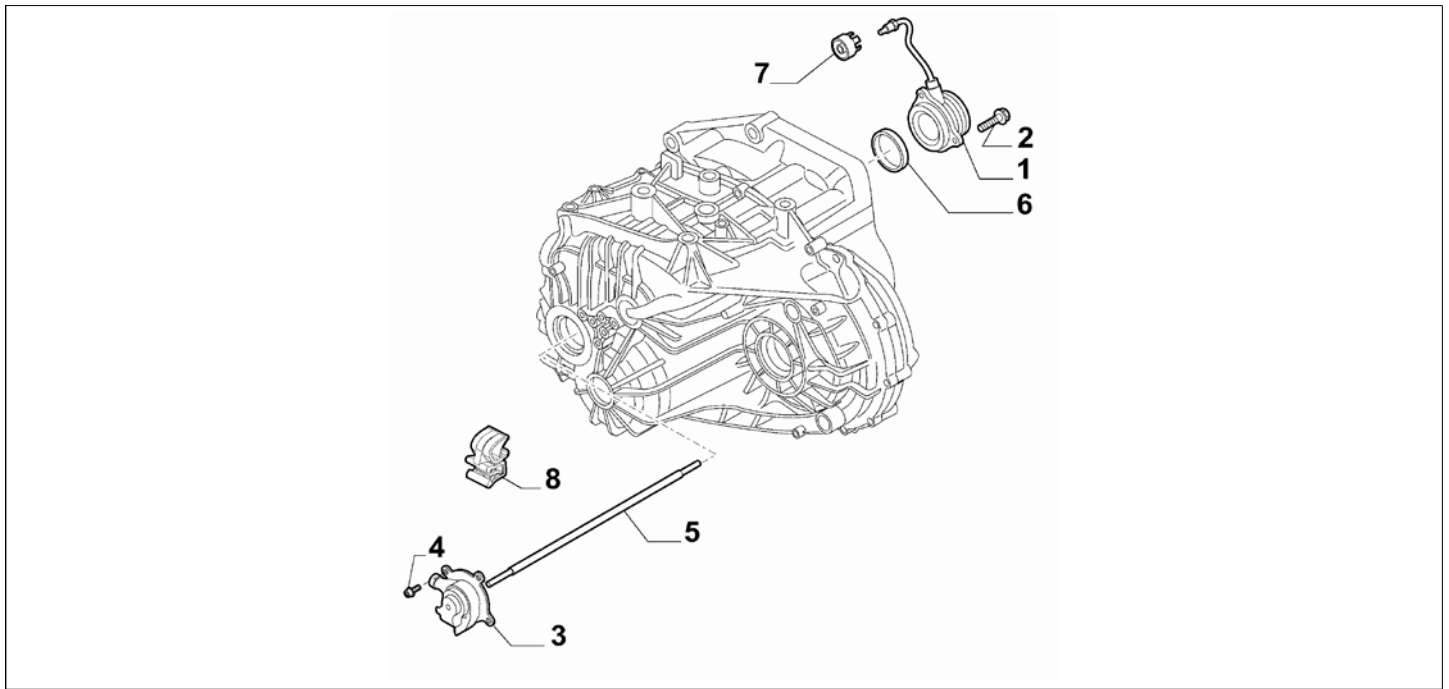
Catalogue	MITO 2011-2013	
Category	7.2 TRANSMISSION CASE AND COVERS	
Var.	02	1.3D + DIESEL + PCC510 + 85HP
Rev.	00	



	Part Num.	Description	Compatibility	Modif.	Qty	Notes	Col.	Reman.
1	55243919	SLEEVE W/BEARING			01			
2	55210247	COVER			01			
3	16297024	SCREW			02			
4	55210248	PLUG			01			

Legend	
1.3D	HORSE POWER (MARKET):1.3
DIESEL	FUEL:DIESEL
85HP	POWER:1.3 SDE 85HP EURO5
PCC510	GEARBOX DESIGN:GEARBOX

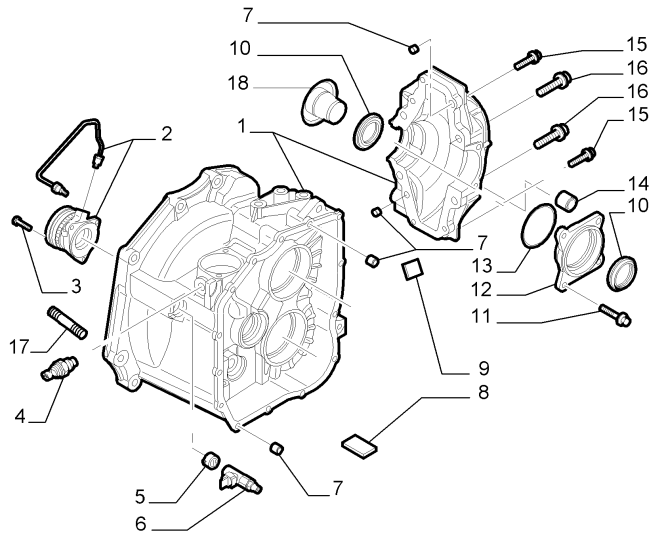
Catalogue	MITO 2011-2013	
Category	7.2 TRANSMISSION CASE AND COVERS	
Var.	01	1.4 + TURBO + PETROL + 135HP + TCT
Rev.	00	



Part Num.	Description	Compatibility	Modif.	Qty	Notes	Col.	Reman.
1	55231545 ACTUATOR			01			
2	46339920 SCREW, M6X20			03			
3	55231544 ACTUATOR			01			
4	46339920 SCREW, M6X20			04			
5	55227774 ROD			01			
6	55217088 SEAL GASKET			01			
7	55228813 CLIP			01			
8	55226103 CLIP			1			

Legend	
TCT	SPECIFIC GEARBOX
TURBO	(ASPIRATED/TURBO):TURBO
1.4	HORSE POWER (MARKET):1370
PETROL	FUEL:PETROL
135HP	POWER:1.4 FIRE 16V TURBO MULTIAIR 135 HP EURO 5

Catalogue	MITO 2011-2013	
Category	7.2 TRANSMISSION CASE AND COVERS	
Var.	02	1.6D + DIESEL + PCC544 + 076
Rev.	00	C14156



	Part Num.	Description	Compatibility	Modif.	Qty	Notes	Col.	Reman.
1	55569808	SUPPORT			01			
2	55558917	SLEEVE W/BEARING			01			
3	71747900	SCREW			03			
4	A 71740080	SWITCH			01			
4	A 6000100077	SWITCH			01			
5	55352049	SLEEVE			01			
6	55193689	CONNECTION			01			
7	71740629	DOWEL			04			
8	55563951	MAGNET			01			
9	55567563	MAGNET			01			
10	71734264	SEAL GASKET			02			
11	55557626	SCREW			04			
12	55192374	FLANGE			01			
13	71740624	SEAL GASKET			01			
14	71748231	PLUG			01			
15	71740628	SCREW			06			
16	71740627	SCREW			04			
17	46400104	STUD			02			
18	55557041	BUSH			01			

Legend	
076	GEARBOX 6 M
1.6D	HORSE POWER (MARKET):1598
DIESEL	FUEL:DIESEL
PCC544	GEARBOX DESIGN:GEARBOX 20/28 KGM (M20/M28 3H)
14156	C542 -C544 GEARBOX MANUFATURING DISCONTINUED [DAT 30/12/2010]