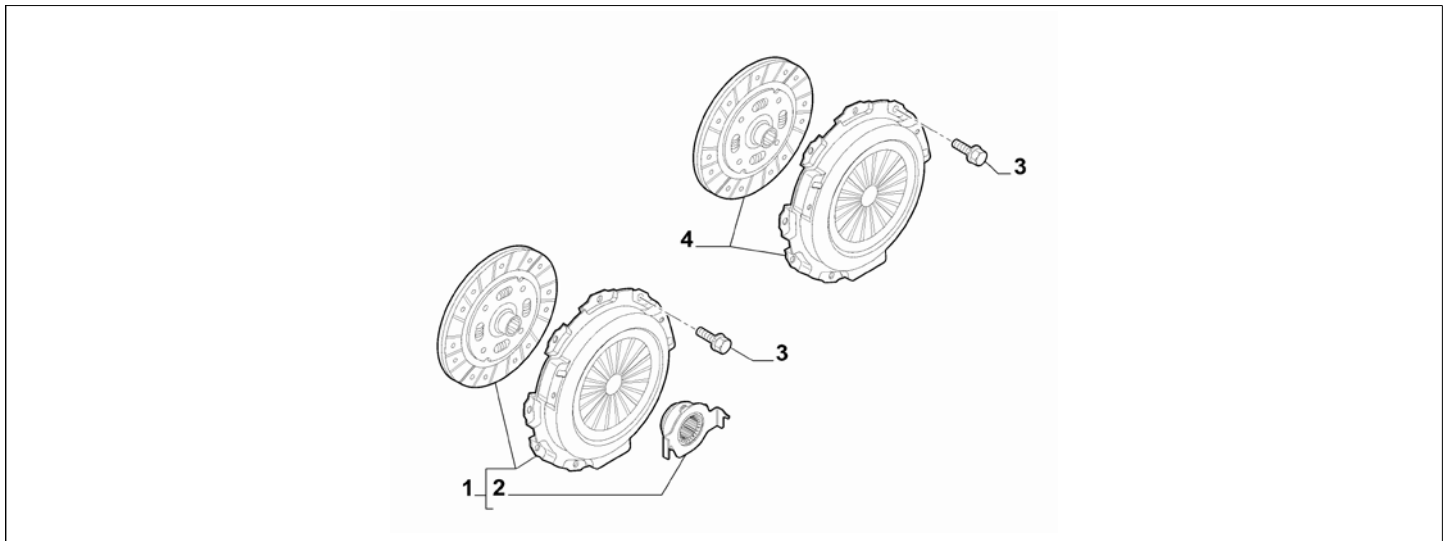


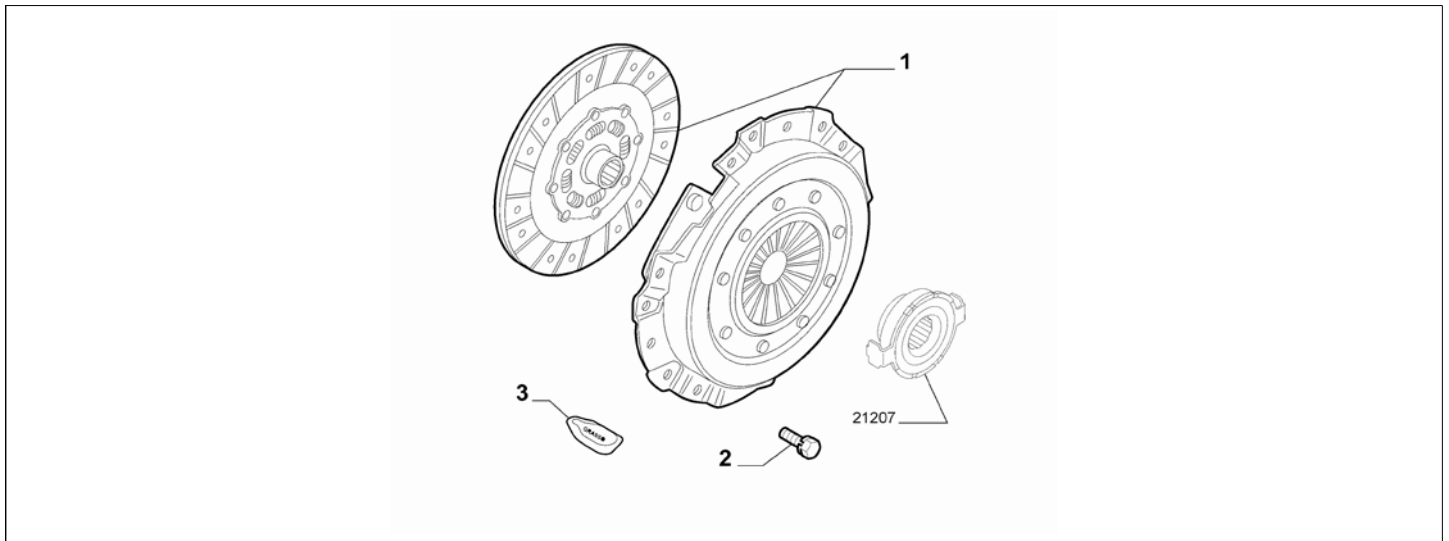
Catalogue	MITO 2011-2013	
Category	6.2 CLUTCH GROUP	
Var.	01	1.3D + DIESEL + (95HP, 85HP) + EURO5
Rev.	00	



Part Num.	Description	Compatibility	Modif.	Qty	Notes	Col.	Reman.
1	71753318 KIT CLUTCH, COMPL	95HP		01			71793963
2	46821336 SLEEVE W/BEARING			01			
3	55189548 SCREW AND WASHER ASSY			06			
4	55231679 KIT CLUTCH	85HP		1			71724648

Legend	
1.3D	HORSE POWER (MARKET):1.3
DIESEL	FUEL:DIESEL
EURO5	ECOLOGY:LIM.ECC PHASE 5
85HP	POWER:1.3 SDE 85HP EURO5
95HP	POWER:1.3 SDE 95HP EURO5

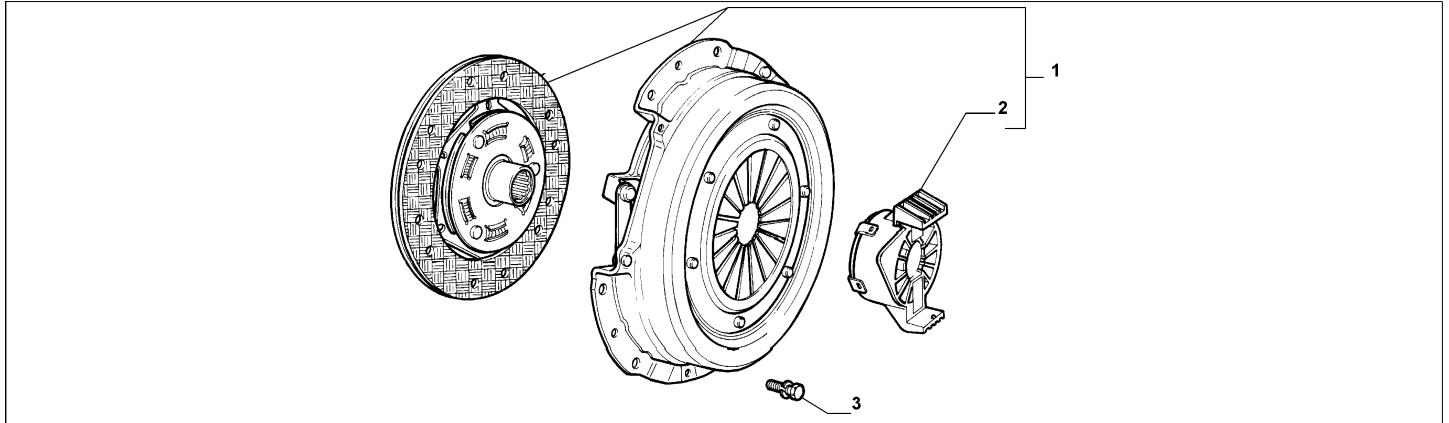
Catalogue	MITO 2011-2013	
Category	6.2 CLUTCH GROUP	
Var.	02	1.6D + DIESEL + 120HP
Rev.	00	



Part Num.	Description	Compatibility	Modif.	Qty	Notes	Col.	Reman.
1	55212655 KIT CLUTCH		C16156	01			71724609
1	55241565 KIT CLUTCH		D16156	01			71794952
2	55220706 SCREW AND WASHER ASSY			06			
3	66284999 GREASE			1			

Legend	
1.6D	HORSE POWER (MARKET):1598
DIESEL	FUEL:DIESEL
120HP	POWER:1.6 JTD EURO5 -1.4 FIRE TRB EURO4 120CV
16156	New clutch Kit [DAT 12/12/2012]

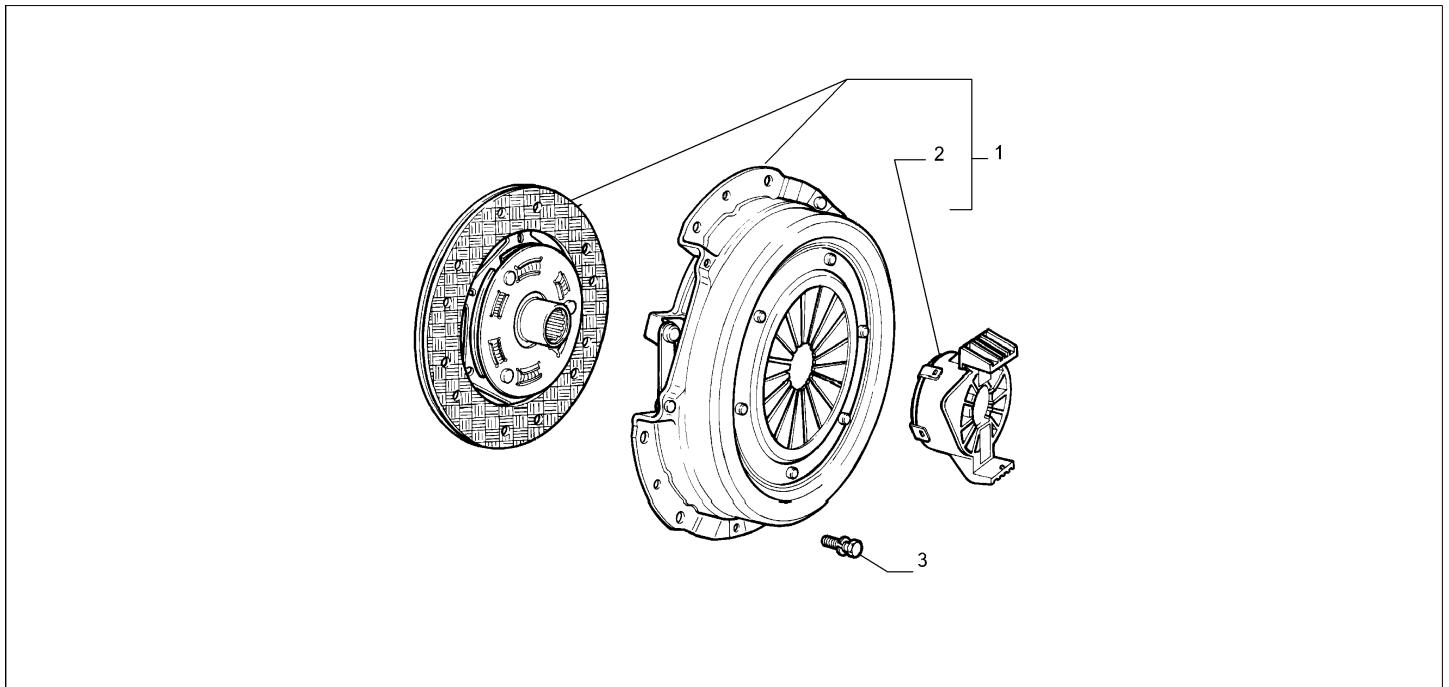
Catalogue	MITO 2011-2013	
Category	6.2 CLUTCH GROUP	
Var.	03	1.4 + 8V
Rev.	00	



Part Num.	Description	Compatibility	Modif.	Qty	Notes	Col.	Reman.
1	71769494 KIT CLUTCH			1			71724654
2	55220302 SLEEVE W/BEARING			1			
3	18750234 SCREW AND WASHER ASSY, M6X16			6			

Legend	
1.4	HORSE POWER (MARKET):1370
8V	TOTAL NUMBER OF VALVES:8 VALVES

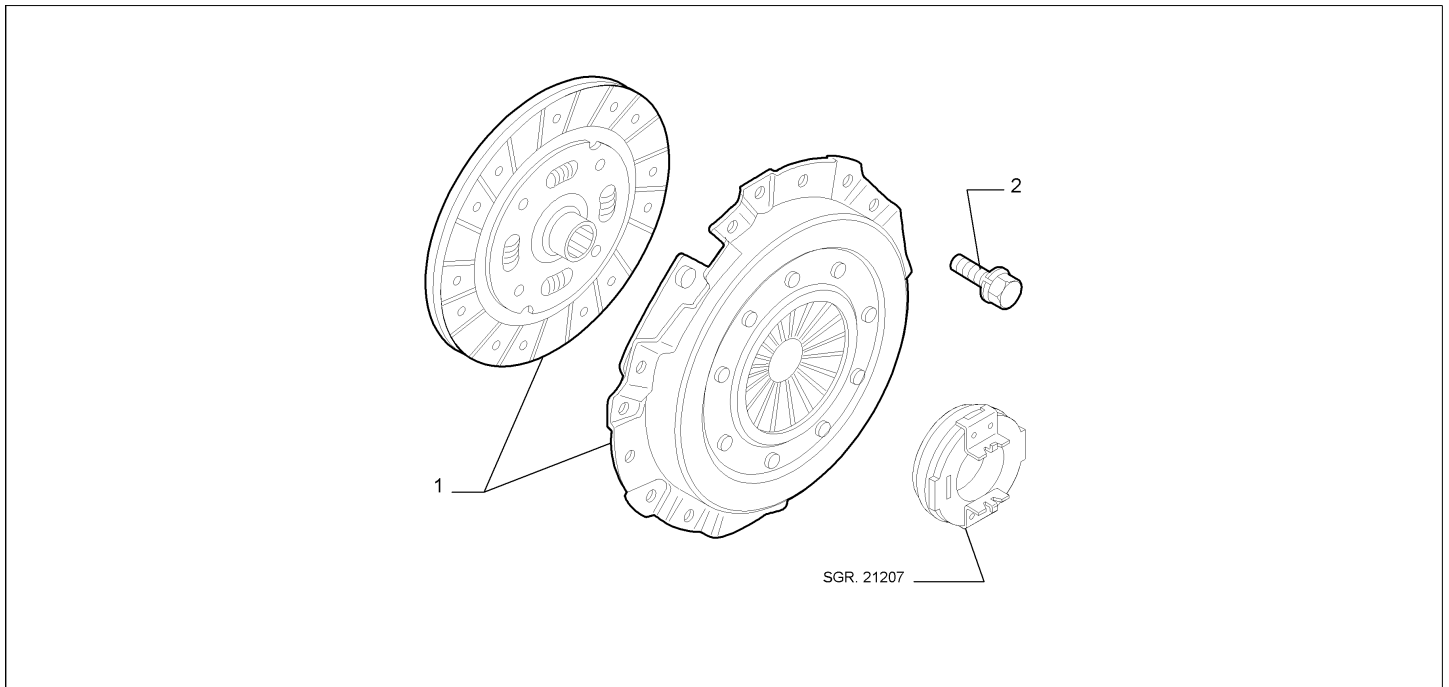
Catalogue	MITO 2011-2013	
Category	6.2 CLUTCH GROUP	
Var.	04	1.4 + 16V + (78HP, 105HP)
Rev.	00	



Part Num.	Description	Compatibility	Modif.	Qty	Notes	Col.	Reman.
1	71752454 KIT CLUTCH			01			71793532
2	55220302 SLEEVE W/BEARING			01			
3	18750234 SCREW AND WASHERASSY, M6X16			06			

Legend	
1.4	HORSE POWER (MARKET):1370
78HP	POWER:1.4 FIRE 8V/16V 78HP EURO5
105HP	POWER:1.4 FIRE 16V MULTIAIR 105HP (EURO 5)
16V	TOTAL NUMBER OF VALVES:16 VALVES

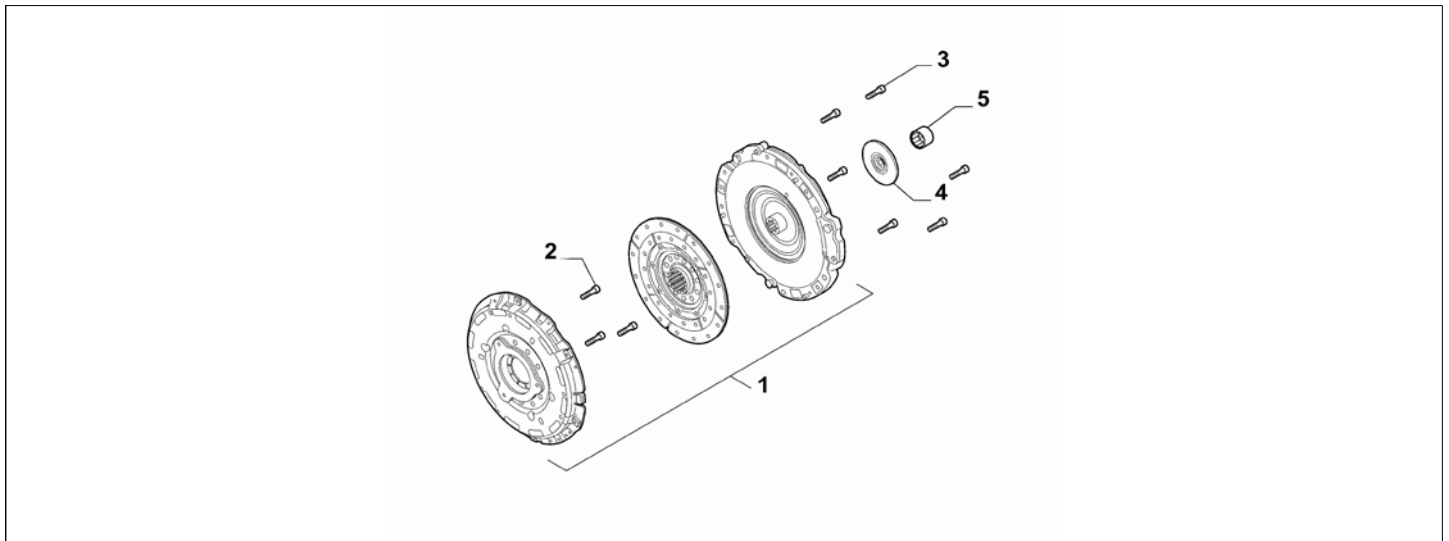
Catalogue	MITO 2011-2013	
Category	6.2 CLUTCH GROUP	
Var.	05	1.4 + 16V + (120HP, 135HP, 170HP) + ITCT
Rev.	00	



Part Num.	Description	Compatibility	Modif.	Qty	Notes	Col.	Reman.
1	55219388	KIT CLUTCH		01			71724597
1	55222123	KIT CLUTCH		01			71724633
2	7748285	SCREW AND WASHERASSY		06			

Legend	
TCT	SPECIFIC GEARBOX
1.4	HORSE POWER (MARKET):1370
170HP	POWER:1.4 FIRE 16V TURBO MULTIAIR 170HP EURO 5
120HP	POWER:1.6 JTD EURO5 -1.4 FIRE TRB EURO4 120CV
135HP	POWER:1.4 FIRE 16V TURBO MULTIAIR 135 HP EURO 5
16V	TOTAL NUMBER OF VALVES:16 VALVES

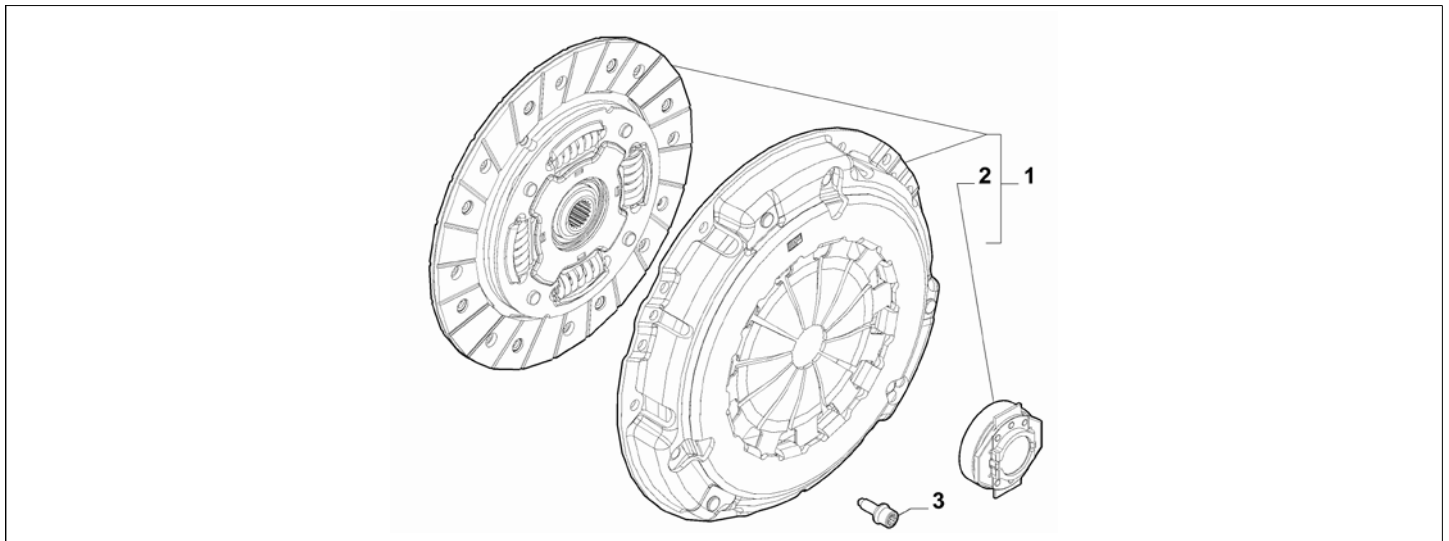
Catalogue	MITO 2011-2013	
Category	6.2 CLUTCH GROUP	
Var.	06	1.4 + 16V + 135HP + TCT
Rev.	00	



Part Num.	Description	Compatibility	Modif.	Qty	Notes	Col.	Reman.
1	55230618 KIT CLUTCH			01			
2	55230622 SCREW, M8X24			03			
3	55246615 SCREW, M8X30			06			
4	55226339 BEARING			01			
5	55226340 PLUG			1			

Legend	
TCT	SPECIFIC GEARBOX
1.4	HORSE POWER (MARKET):1370
135HP	POWER:1.4 FIRE 16V TURBO MULTIAIR 135 HP EURO 5
16V	TOTAL NUMBER OF VALVES:16 VALVES

Catalogue	MITO 2011-2013	
Category	6.2 CLUTCH GROUP	
Var.	07	875CC + 85HP + TURBO + PETROL
Rev.	00	



Part Num.	Description	Compatibility	Modif.	Qty	Notes	Col.	Reman.
1	71771924 KIT CLUTCH		C16031	1			
1	71773492 KIT CLUTCH		D16031, C17335	1			
1	71776585 KIT CLUTCH		D17335	1			
2	55220302 SLEEVE W/BEARING			1			
3	55246559 SCREW AND WASHER ASSY			6			

Legend	
TURBO	(ASPIRATED/TURBO):TURBO
875CC	HORSE POWER (MARKET):875
PETROL	FUEL:PETROL
85HP	POWER:1.3 SDE 85HP EURO5
16031	New clutch kit [DAT 28/09/2012]
17335	new engine flywheel [DAT 21/03/2014]