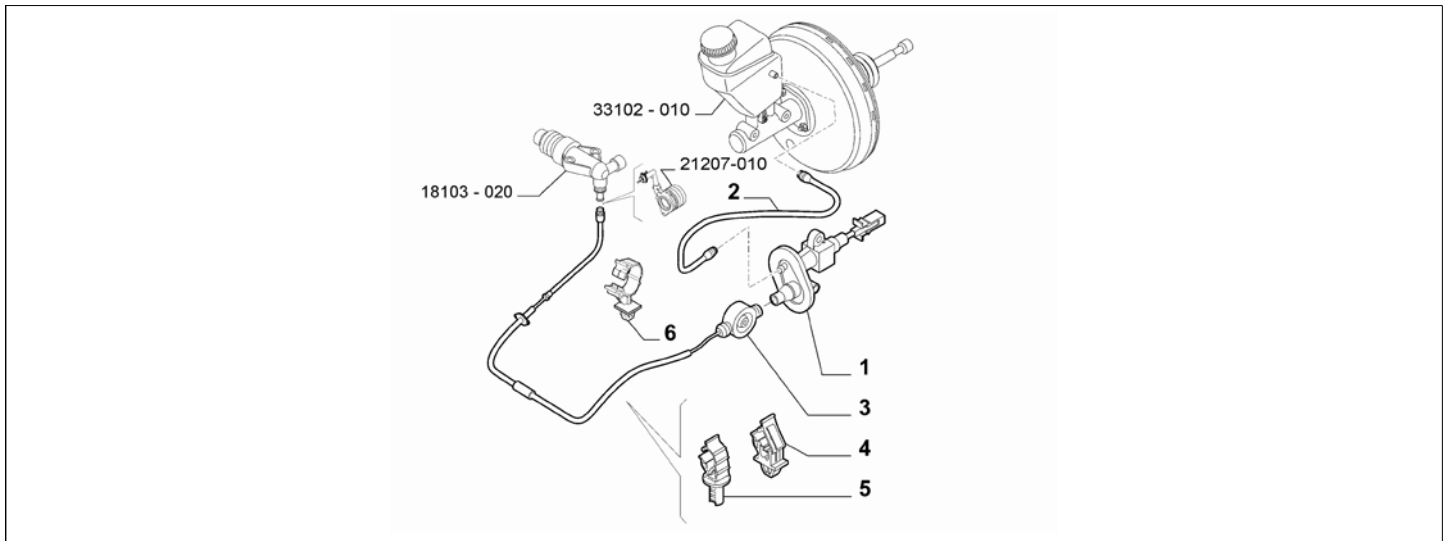


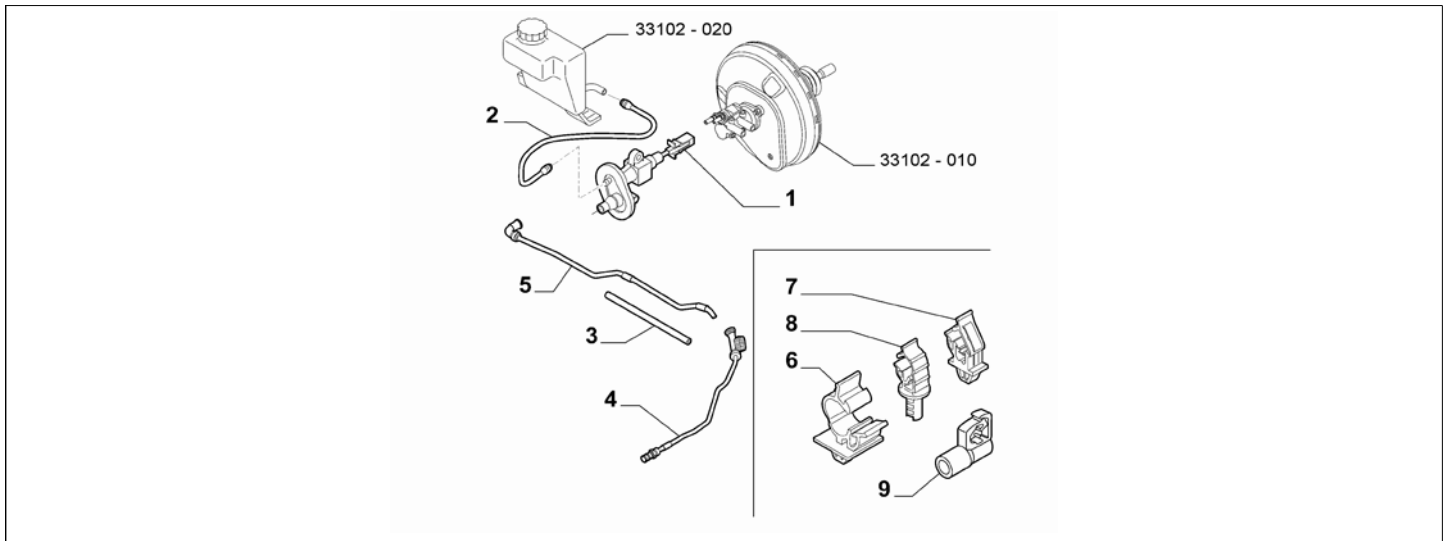
Catalogue	MITO 2011-2013	
Category	6.1 CLUTCH RELEASE HYDRAULIC CONTROL	
Var.	01	LHD
Rev.	00	



Part Num.	Description	Compatibility	Modif.	Qty	Notes	Col.	Reman.
1	55251837	CLUTCH PUMP	1.3D+14CS, 1.4+1TCT+14CS, 1.6D+14CS		1		
1	55251837	CLUTCH PUMP	1.3D+4CS, 1.4+1TCT+4CS, 1.6D+4CS		1		
1	55251837	CLUTCH PUMP	875CC+4CS		1		
1	55251837	CLUTCH PUMP	875CC+14CS		1		
2	55204248	HOSE	1TCT		1		
3	55202048	HOSE	PCC514		1		
3	55210251	HOSE	1.4+PCC510		1		
3	55222782	HOSE	1.4+PCC635+1TCT		1		
3	55232648	HOSE	1.6D		1		
3	55197891	HOSE	95HP		1		
3	55210251	HOSE	85HP		1		
3	55241098	HOSE	875CC		1		
4	46784944	CLIP	1.3D		1		
4	46784944	CLIP	PCC514		1		
4	46784944	CLIP	1.4+PCC510		1		
4	46784944	CLIP	875CC		1		
5	46804425	CLIP	1.3D		1		
5	46804425	CLIP	PCC514		1		
5	46804425	CLIP	1.4+PCC510		1		
5	46804425	CLIP	1.4+PCC544+LHD+1TCT, 1.6D+PCC544+LHD+1TCT, 1.4+PCC635+1TCT, 1.6D		1		
5	46804425	CLIP	875CC		1		
6	55204855	CLIP	1.4+PCC544+LHD+1TCT, 1.6D+PCC544+LHD+1TCT, 1.4+PCC635+1TCT, 1.6D		1		

Legend	
TCT	SPECIFIC GEARBOX
4CS	EXTRA SERIES 1 PEDAL UNIT
875CC	HORSE POWER (MARKET):875
1.3D	HORSE POWER (MARKET):1.3
1.4	HORSE POWER (MARKET):1370
1.6D	HORSE POWER (MARKET):1598
LHD	STEERING:LEFT
85HP	POWER:1.3 SDE 85HP EURO5
95HP	POWER:1.3 SDE 95HP EURO5
PCC510	GEARBOX DESIGN:GEARBOX
PCC514	GEARBOX DESIGN:GEARBOX
PCC544	GEARBOX DESIGN:GEARBOX 20/28 KGM (M20/M28 3H)
PCC635	GEARBOX DESIGN:GEARBOX 35 KGM

Catalogue	MITO 2011-2013	
Category	6.1 CLUTCH RELEASE HYDRAULIC CONTROL	
Var.	02	RHD
Rev.	00	

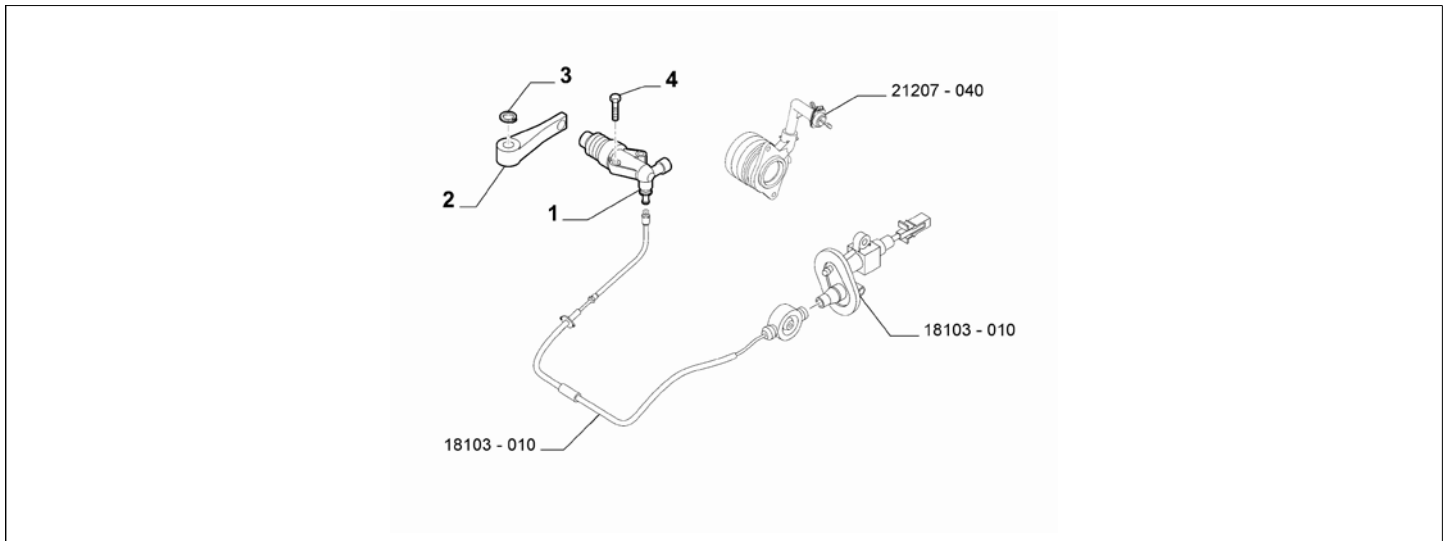


Part Num.	Description	Compatibility	Modif.	Qty	Notes	Col.	Reman.
1	55190994	CLUTCH PUMP	NOTURBO+392+I4CS		1		
1	55190994	CLUTCH PUMP	1.4+I392+I4CS		1		
1	55190994	CLUTCH PUMP	NOTURBO+392+4CS		1		
1	55190994	CLUTCH PUMP	1.3D+392+I4CS, 1.4+TURBO+ITCT+I4CS		1		
1	55190994	CLUTCH PUMP	1.3D+I392+I4CS, 1.4+TURBO+RHD+I052+ITCT+I392+I4CS		1		
1	55190994	CLUTCH PUMP	1.3D+392+4CS, 1.4+TURBO+ITCT+4CS		1		
1	55190994	CLUTCH PUMP	1.6D+I4CS		1		
1	55190994	CLUTCH PUMP	1.6D+4CS		1		
1	55190994	CLUTCH PUMP	875CC+392+I4CS		1		
1	55190994	CLUTCH PUMP	875CC+392+4CS		1		
2	55225567	HOSE	ITCT		1		
3	55703840	LINER	DIESEL		1		
4	55207439	HOSE	PCC514		1		
4	55211023	HOSE	1.4+PCC510		1		
4	55229458	HOSE	1.4+PCC635+ITCT		1		
4	55232649	HOSE	1.6D		1		
4	55207440	HOSE	95HP		1		
4	55211023	HOSE	85HP		1		
4	55241099	HOSE	875CC		1		
5	55207443	HOSE	ITCT		1		
6	55204855	CLIP	1.4+PCC544+RHD+ITCT, 1.6D+PCC544+RHD+ITCT, 1.4+PCC635+ITCT, 1.6D		1		
7	46784944	CLIP	PCC514		1		
7	46784944	CLIP	1.4+PCC510		1		
7	46784944	CLIP	1.3D		1		
7	46784944	CLIP	875CC		1		
8	46804425	CLIP	PCC514		3		
8	46804425	CLIP	1.4+PCC510		3		
8	46804425	CLIP	1.3D		3		
8	46804425	CLIP	1.4+PCC544+RHD+ITCT, 1.6D+PCC544+RHD+ITCT, 1.4+PCC635+ITCT, 1.6D		3		
8	46804425	CLIP	1.6D		1		
8	46804425	CLIP	875CC		3		
9	7636291	CLIP	1.3D, 1.4		1		

Legend

052	BAS - BRAKE ASSISTANCE SYSTEM
TCT	SPECIFIC GEARBOX
392	VEHICLE DYNAMIC CONTROL (VDC)
4CS	EXTRA SERIES 1 PEDAL UNIT
NOTURBO	(ASPIRATED/TURBO):EXHAUST FAN
TURBO	(ASPIRATED/TURBO):TURBO
875CC	HORSE POWER (MARKET):875
1.3D	HORSE POWER (MARKET):1.3
1.4	HORSE POWER (MARKET):1370
1.6D	HORSE POWER (MARKET):1598
DIESEL	FUEL:DIESEL
RHD	STEERING:RIGHT
85HP	POWER:1.3 SDE 85HP EURO5
95HP	POWER:1.3 SDE 95HP EURO5
PCC510	GEARBOX DESIGN:GEARBOX
PCC514	GEARBOX DESIGN:GEARBOX
PCC544	GEARBOX DESIGN:GEARBOX 20/28 KGM (M20/M28 3H)
PCC635	GEARBOX DESIGN:GEARBOX 35 KGM

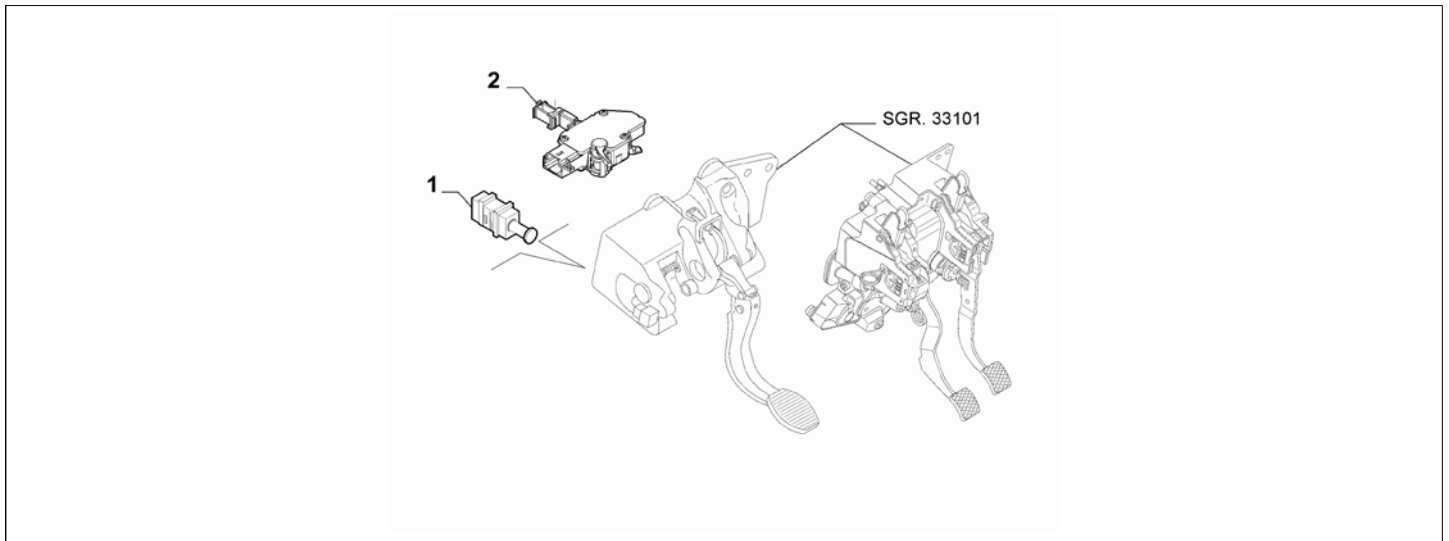
Catalogue	MITO 2011-2013	
Category	6.1 CLUTCH RELEASE HYDRAULIC CONTROL	
Var.	01	
Rev.	00	



Part Num.	Description	Compatibility	Modif.	Qty	Notes	Col.	Reman.
1	55183442 CLUTCH CYLINDER	NOTURBO		1			
1	55227259 CLUTCH CYLINDER	95HP		1			
1	55261309 CLUTCH CYLINDER	875CC		1			
2	46553503 LEVER	1.3D		1			
3	11066276 LOCKRING	1.3D		1			
4	16287521 SCREW, M8X40	NOTURBO		2			
4	16287321 SCREW	95HP		2			
4	16287521 SCREW	875CC		2			

Legend	
NOTURBO	(ASPIRATED/TURBO):EXHAUST FAN
875CC	HORSE POWER (MARKET):875
1.3D	HORSE POWER (MARKET):1.3
95HP	POWER:1.3 SDE 95HP EURO5

Catalogue	MITO 2011-2013	
Category	6.1 CLUTCH RELEASE HYDRAULIC CONTROL	
Var.	01	
Rev.	00	



Part Num.	Description	Compatibility	Modif.	Qty	Notes	Col.	Reman.
1	50508479 SWITCH	IS/S		1			
2	50515148 SWITCH	LHD+ITCT+S/S		1			
2	51835627 SWITCH	RHD+ITCT+S/S		1			

Legend	
TCT	SPECIFIC GEARBOX
S/S	STOP&START
RHD	STEERING:RIGHT
LHD	STEERING:LEFT