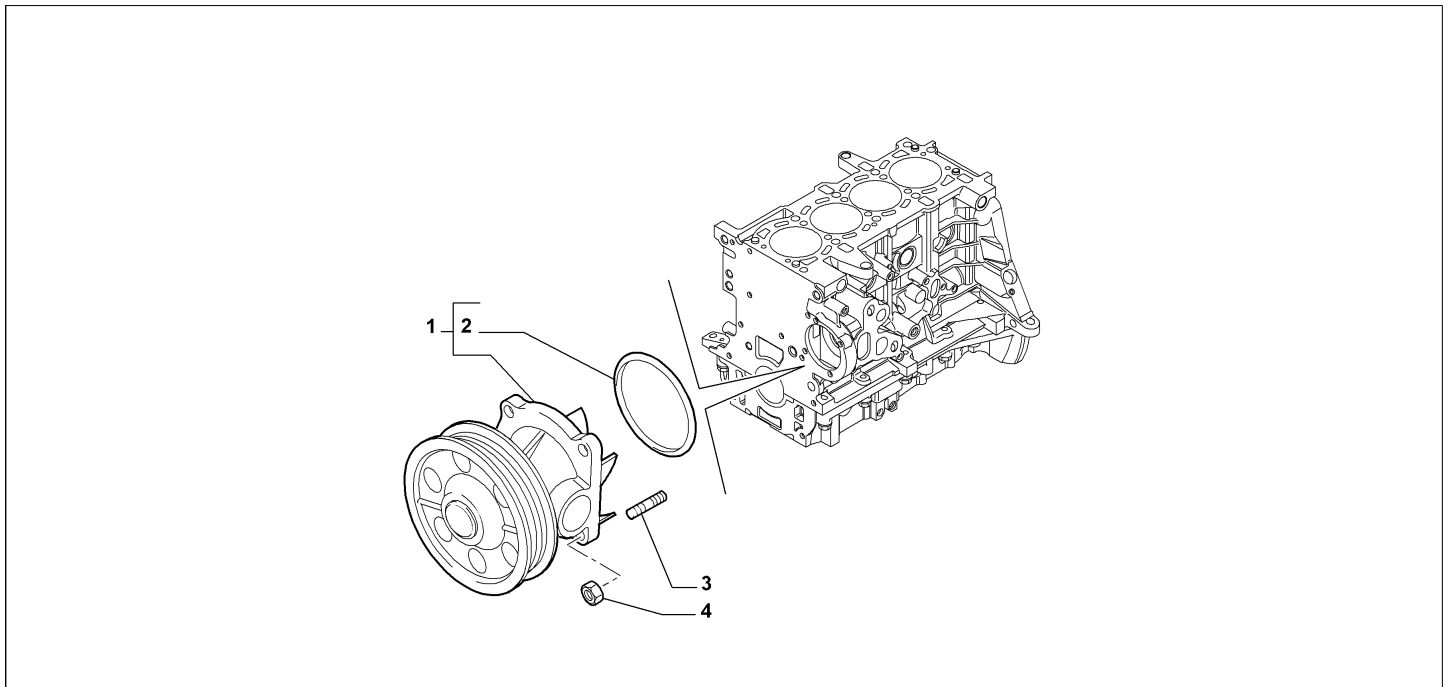


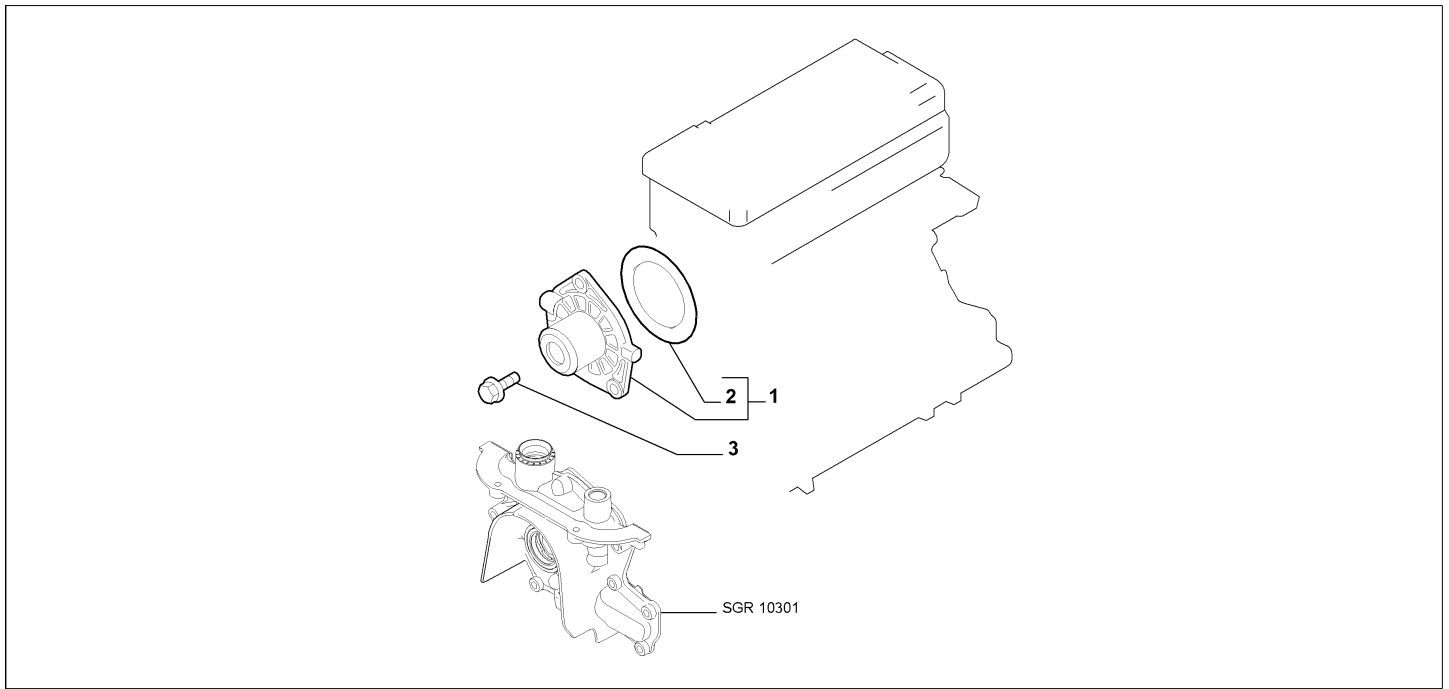
Catalogue	MITO 2011-2013	
Category	5.2 WATER PUMP AND LINES	
Var.	01	1.3D + DIESEL + (95HP, 85HP) + EURO5
Rev.	00	



Part Num.	Description	Compatibility	Modif.	Qty	Notes	Col.	Reman.
1	46815125 WATER PUMP, COMPL			01			
2	71732863 SEAL			01			
3	46820076 STUD, M6X9-22			04			
4	55191552 NUT, DIAM M6			04			

Legend	
1.3D	HORSE POWER (MARKET):1.3
DIESEL	FUEL:DIESEL
EURO5	ECOLOGY:LIM.ECC PHASE 5
85HP	POWER:1.3 SDE 85HP EURO5
95HP	POWER:1.3 SDE 95HP EURO5

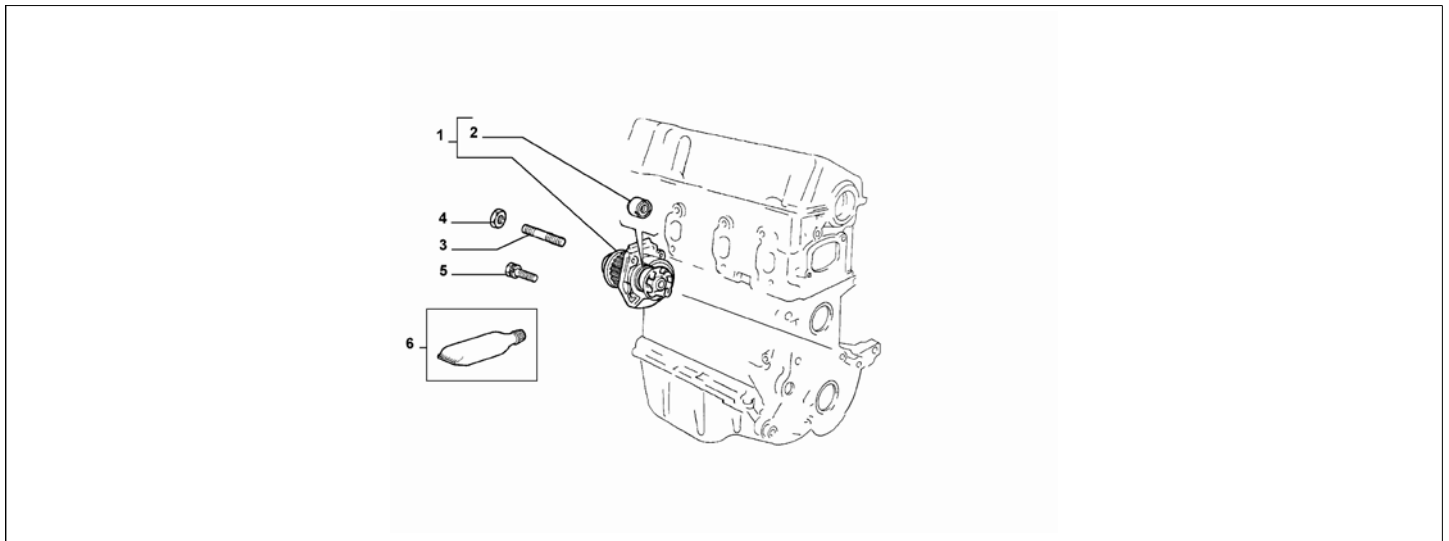
Catalogue	MITO 2011-2013	
Category	5.2 WATER PUMP AND LINES	
Var.	02	1.6D + DIESEL + 120HP
Rev.	00	



	Part Num.	Description	Compatibility	Modif.	Qty	Notes	Col.	Reman.
1	A 55268918	WATER PUMP, COMPL			01			
1	A 6001073347	WATER PUMP, ESSENTIAL PARTS			01			
2	46772635	SEAL GASKET			01			
3	46804053	SCREW, M8X24			03			

Legend	
1.6D	HORSE POWER (MARKET):1598
DIESEL	FUEL:DIESEL
120HP	POWER:1.6 JTD EURO5 -1.4 FIRE TRB EURO4 120CV

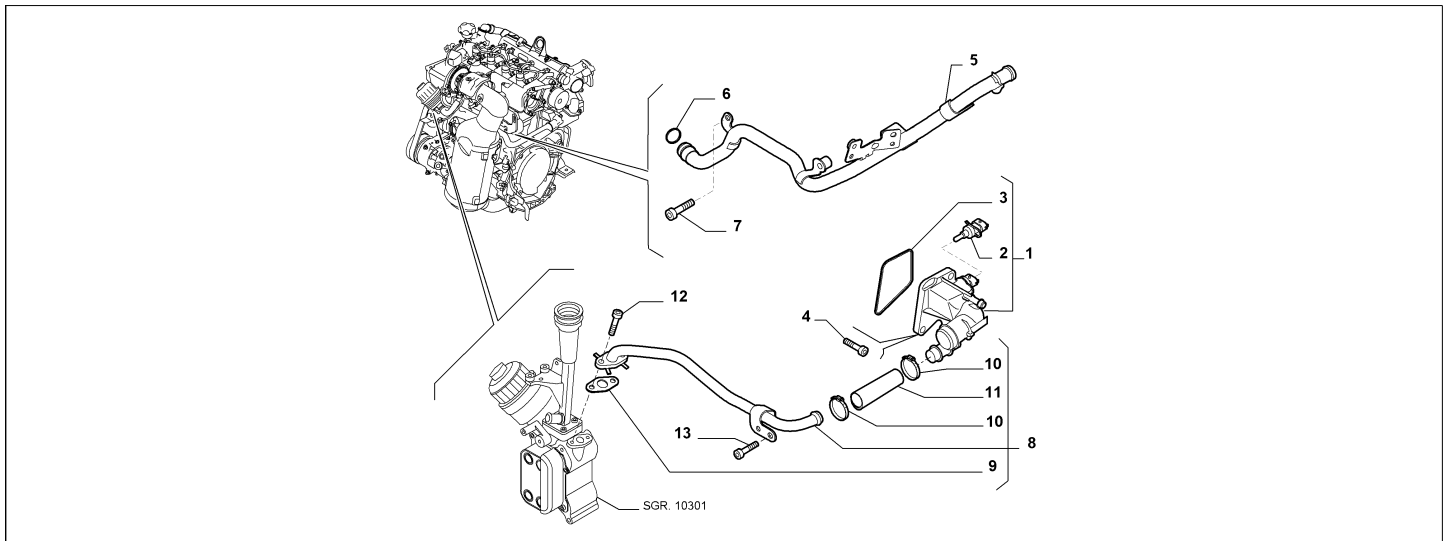
Catalogue	MITO 2011-2013	
Category	5.2 WATER PUMP AND LINES	
Var.	03	1.4 + (8V, 16V)
Rev.	00	



	Part Num.	Description	Compatibility	Modif.	Qty	Notes	Col.	Reman.
1	A 55284051	WATER PUMP, COMPL.TESMA			1			
1	A 6000100222	WATER PUMP, COMPL.TESMA			1			
2	71748938	SEAL GASKET, TESMA			1			
3	55209300	STUD			1			
4	14040614	NUT			1			
5	18750524	SCREW			3			
6	71753861	SEALER			1			

Legend	
1.4	HORSE POWER (MARKET):1370
16V	TOTAL NUMBER OF VALVES:16 VALVES
8V	TOTAL NUMBER OF VALVES:8 VALVES

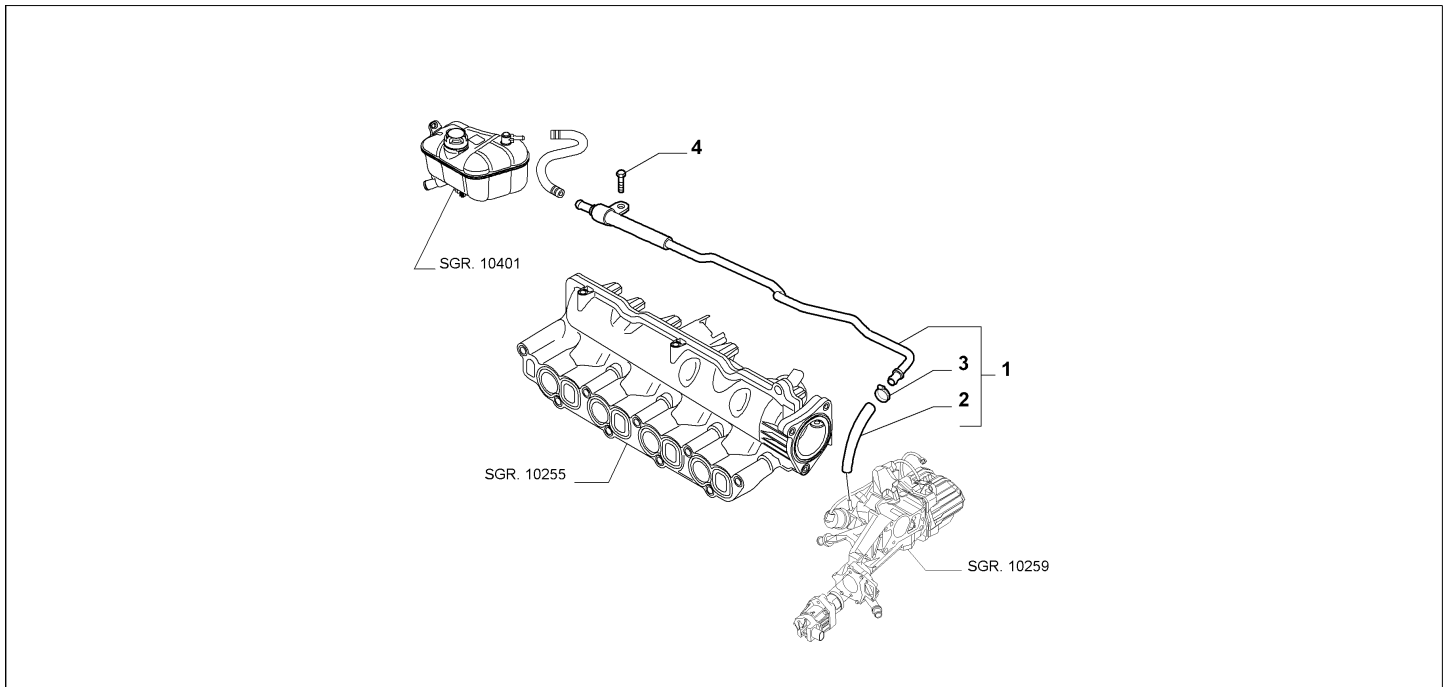
Catalogue	MITO 2011-2013	
Category	5.2 WATER PUMP AND LINES	
Var.	01	1.3D + DIESEL + (95HP, 85HP) + EURO5
Rev.	00	



Part Num.	Description	Compatibility	Modif.	Qty	Notes	Col.	Reman.
1	55206391 THERMOSTAT, COMPL	166M		01			
1	55233327 THERMOSTAT, COMPL	66M		01			
2	55206393 SENDING UNIT			01			
3	71738450 SEAL GASKET			01			
4	73502574 SCREW AND WASHER ASSY, M8X30			02			
5	55223838 PIPE			01			
6	7792369 SEAL GASKET, 2,62X17,12			01			
7	55189538 SCREW, M6X16			02			
8	55211397 PIPE			01			
9	73502584 SEAL GASKET			01			
10	11447570 COLLAR, DIAM 20,5-23,0			02			
11	55209535 SLEEVE			01			
12	46339920 SCREW, M6X20			02			
13	55214854 SCREW, M6X32			01			

Legend	
66M	ECO KIT 2
1.3D	HORSE POWER (MARKET):1.3
DIESEL	FUEL:DIESEL
EURO5	ECOLOGY:LIM.ECC PHASE 5
85HP	POWER:1.3 SDE 85HP EURO5
95HP	POWER:1.3 SDE 95HP EURO5

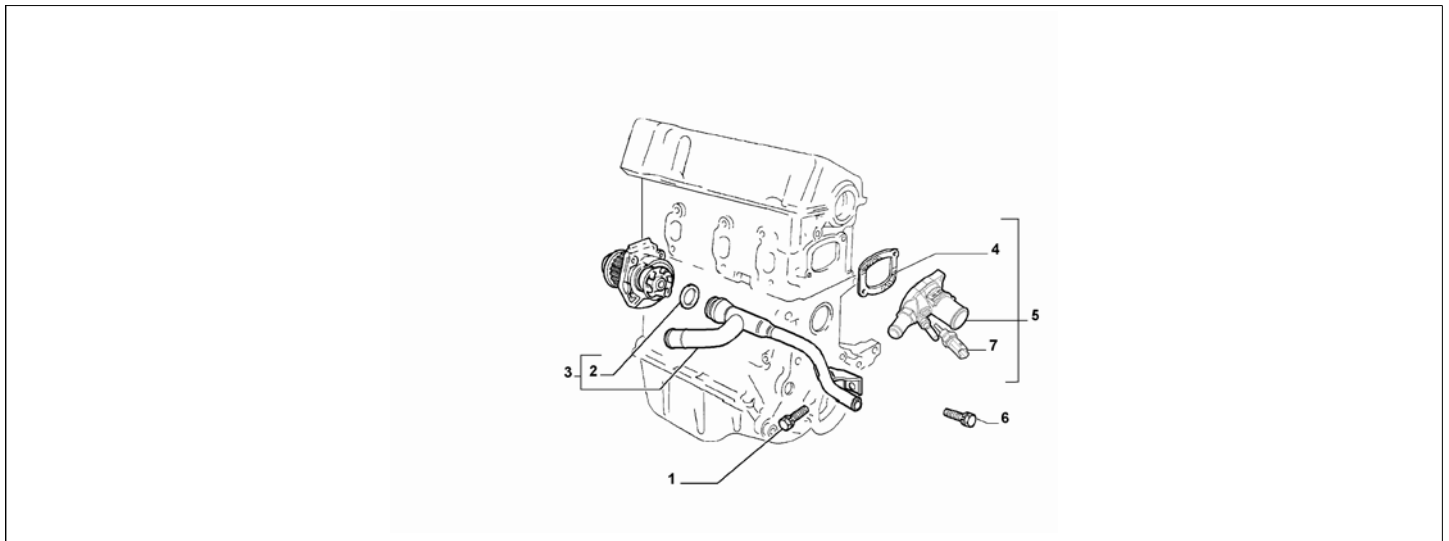
Catalogue	MITO 2011-2013	
Category	5.2 WATER PUMP AND LINES	
Var.	02	1.6D + DIESEL + 120HP
Rev.	00	



Part Num.	Description	Compatibility	Modif.	Qty	Notes	Col.	Reman.
1	55218930	PIPE, COMPL	C15087	01			
1	55237976	PIPE, PIPES	D15087	01			
2	55205683	SLEEVE		01			
3	13125570	COLLAR, DIAM 13-14		03			
4	16596924	SCREW		01			

Legend	
1.6D	HORSE POWER (MARKET):1598
DIESEL	FUEL:DIESEL
120HP	POWER:1.6 JTD EURO5 -1.4 FIRE TRB EURO4 120CV
15087	DEGASSING PIPE [DAT 20/12/2010]

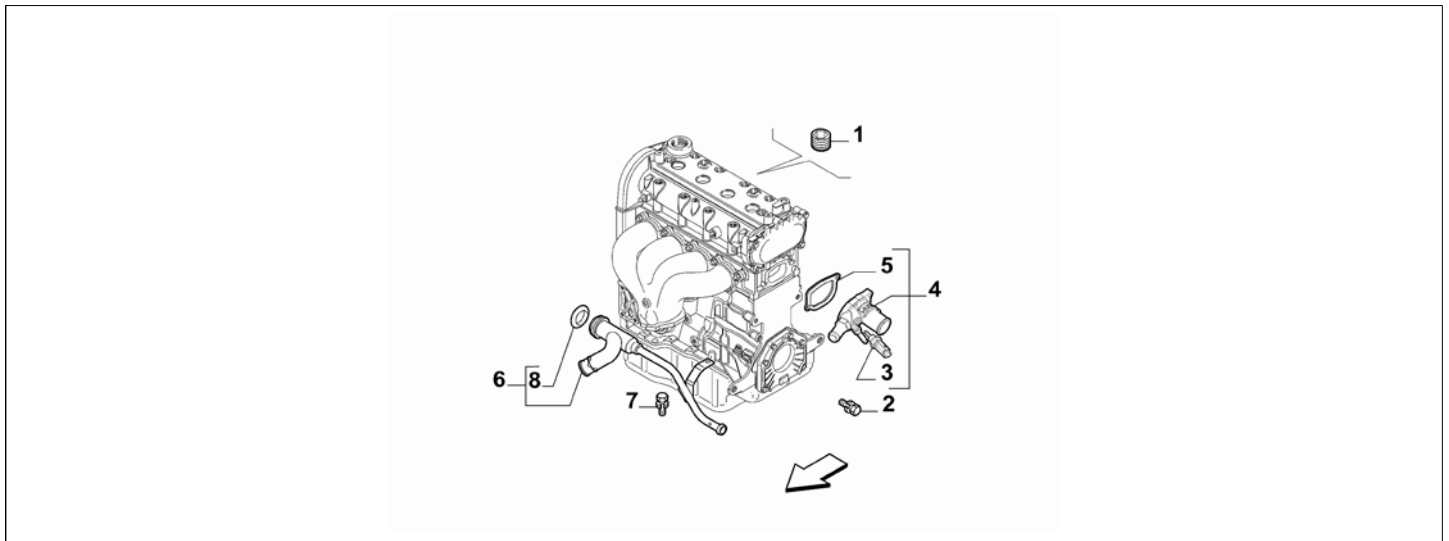
Catalogue	MITO 2011-2013	
Category	5.2 WATER PUMP AND LINES	
Var.	03	1.4 + 8V
Rev.	00	



	Part Num.	Description	Compatibility	Modif.	Qty	Notes	Col.	Reman.
1	11612434	SCREW			1			
2	55185066	SEAL GASKET		C15956	1			
2	71776601	SEAL GASKET		D15956	1			
3	55188163	PIPE, COMPL.		D15956	1			
3 <sup>A</sup>	55245749	PIPE		D15956	1			
3 <sup>A</sup>	6000100157	PIPE		D15956	1			
4	71753377	SEAL GASKET			1			
5	55202176	THERMOSTAT			1			
6	18750624	SCREW			2			
7	55190791	SENDING UNIT			1			

Legend	
1.4	HORSE POWER (MARKET):1370
8V	TOTAL NUMBER OF VALVES:8 VALVES
15956	new water pump pipe and new seal [DAT 19/09/2012]

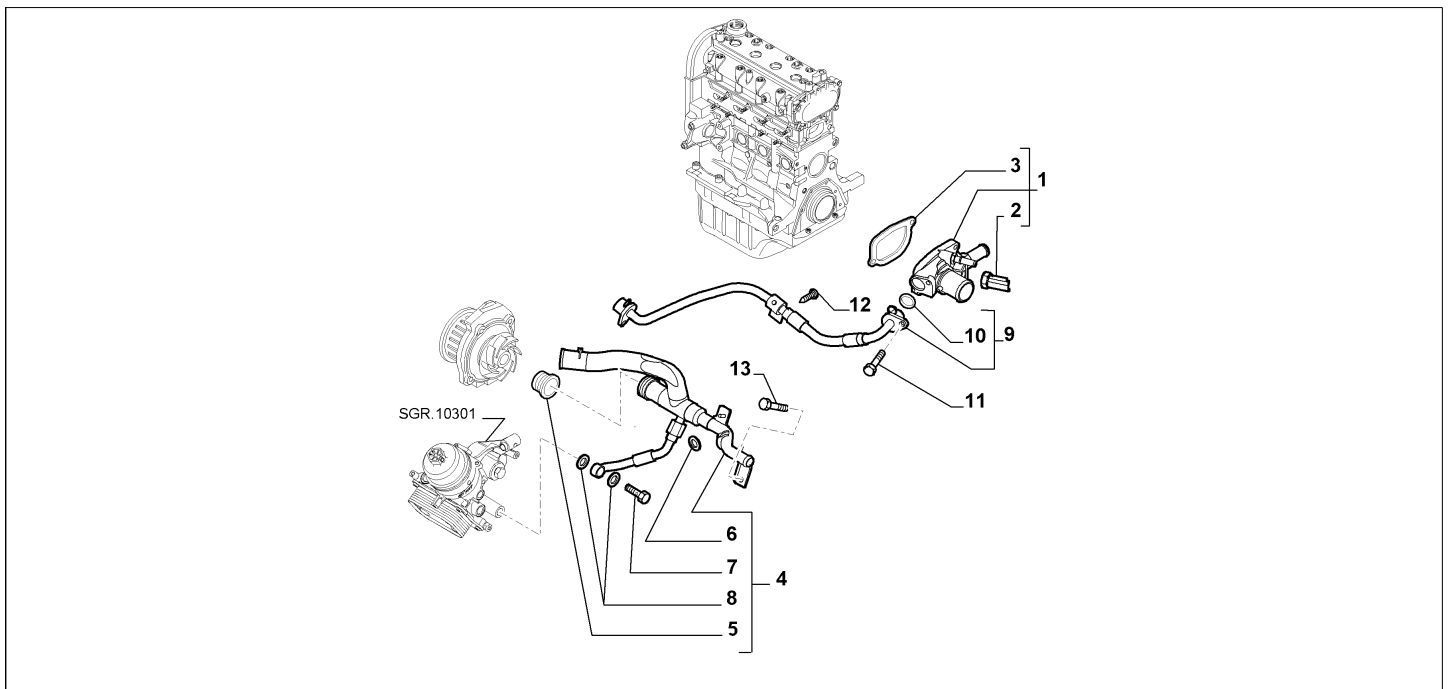
Catalogue	MITO 2011-2013	
Category	5.2 WATER PUMP AND LINES	
Var.	04	1.4 + 16V + 78HP
Rev.	00	



	Part Num.	Description	Compatibility	Modif.	Qty	Notes	Col.	Reman.
1	7177194	PLUG			01			
2	55189536	SCREW AND WASHER ASSY			01			
3	55190791	SENDING UNIT			01			
4	55202176	THERMOSTAT			01			
5	71753377	SEAL GASKET			01			
6	55188163	PIPE		C15957	01			
6 A	55245749	PIPE		D15957	1			
6 A	6000100157	PIPE		D15957	1			
7	11612434	SCREW			01			
8	55185066	SEAL GASKET		C15957	01			
8	71776601	SEAL GASKET		D15957	1			

Legend	
1.4	HORSE POWER (MARKET):1370
78HP	POWER:1.4 FIRE 8V/16V 78HP EURO5
16V	TOTAL NUMBER OF VALVES:16 VALVES
15957	New water pump pipe and new seal [DAT 19/09/2012]

Catalogue	MITO 2011-2013	
Category	5.2 WATER PUMP AND LINES	
Var.	05	1.4 + 16V + 105HP
Rev.	00	



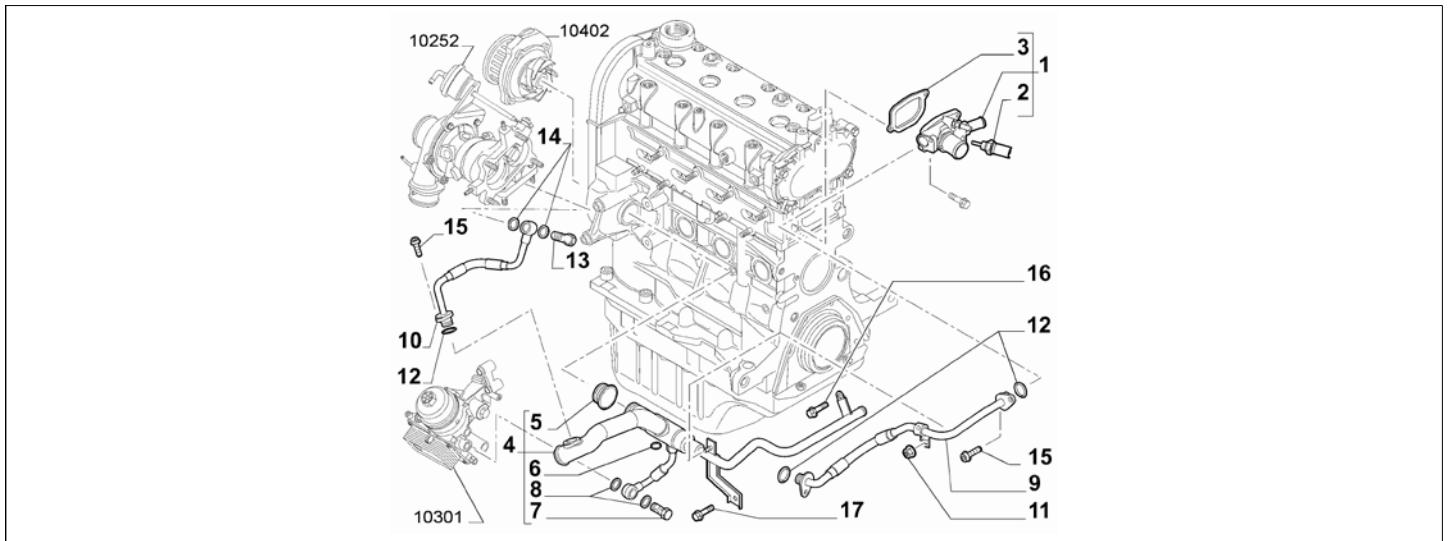
Part Num.	Description	Compatibility	Modif.	Qty	Notes	Col.	Reman.
1	55215006 THERMOSTAT			01			
2	55190791 SENDING UNIT			01			
3	71753377 SEAL GASKET			01			
4	55229151 PIPE			01			
5	71776601 SEAL GASKET			01			
6	71751497 SEAL GASKET			01			
7	71773593 UNION			01			
8	71749207 SEAL GASKET			02			
9	55231258 PIPE			1			
10	14457081 SEAL GASKET			01			
11	55206778 SCREW			01			
12	55192174 NUT			01			
13	11612434 SCREW			04			

Legend	
1.4	HORSE POWER (MARKET):1370
105HP	POWER:1.4 FIRE 16V MULTIAIR 105HP (EURO 5)
16V	TOTAL NUMBER OF VALVES:16 VALVES





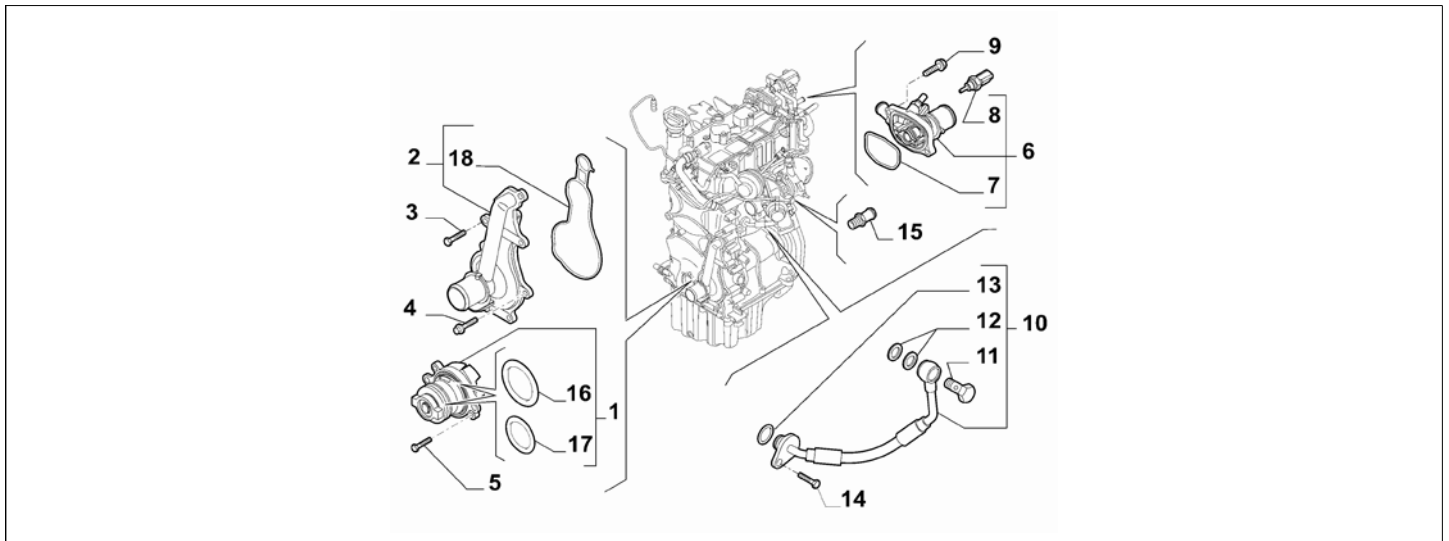
Catalogue	MITO 2011-2013	
Category	5.2 WATER PUMP AND LINES	
Var.	07	1.4 + TURBO + (135HP, 170HP)
Rev.	00	



Part Num.	Description	Compatibility	Modif.	Qty	Notes	Col.	Reman.
1	55215006 THERMOSTAT			01			
2	55190791 SENDING UNIT			01			
3	71753377 SEAL GASKET			01			
4	55229071 PIPE			1			
5	71776601 SEAL GASKET			1			
6	71751497 SEAL GASKET			01			
7	71773593 UNION			01			
8	71749207 SEAL GASKET			02			
9	55215026 PIPE			01			
10	55219159 PIPE			1			
11	55192174 NUT			01			
12	14457081 SEAL GASKET			03			
13	71773592 UNION			01			
14	71752001 SEAL GASKET			02			
15	55206778 SCREW			01			
16	55209733 SCREW			01			
17	11612434 SCREW, M6X16			1			

Legend	
TURBO	(ASPIRATED/TURBO):TURBO
1.4	HORSE POWER (MARKET):1370
170HP	POWER:1.4 FIRE 16V TURBO MULTIAIR 170HP EURO 5
135HP	POWER:1.4 FIRE 16V TURBO MULTIAIR 135 HP EURO 5

Catalogue	MITO 2011-2013	
Category	5.2 WATER PUMP AND LINES	
Var.	01	875CC + 85HP + TURBO + PETROL
Rev.	00	



Part Num.	Description	Compatibility	Modif.	Qty	Notes	Col.	Reman.
1	55270499	WATER PUMP		1			
2	55229063	COVER		1			
3	18750524	SCREW		6			
4	55229981	SCREW		2			
5	55228543	SCREW		2			
6	55202176	THERMOSTAT		1			
7	71753377	SEAL GASKET		1			
8	55190791	SENDING UNIT		1			
9	55190247	SCREW		2			
10	55228616	HOSE	C16313	1			
10	55244332	HOSE	D16313	1			
11	71769362	UNION		1			
12	55227760	SEAL GASKET		2			
13	14456981	SEAL GASKET		1			
14	55206778	SCREW		1			
15	55239822	UNION		1			
16	71769491	SEAL GASKET		1			
17	71769490	SEAL GASKET		1			
18	73504016	SEAL GASKET		1			

Legend	
TURBO	(ASPIRATED/TURBO):TURBO
875CC	HORSE POWER (MARKET):875
PETROL	FUEL:PETROL
85HP	POWER:1.3 SDE 85HP EURO5
16313	introduction of new hose assembly [DAT 29/11/2012]