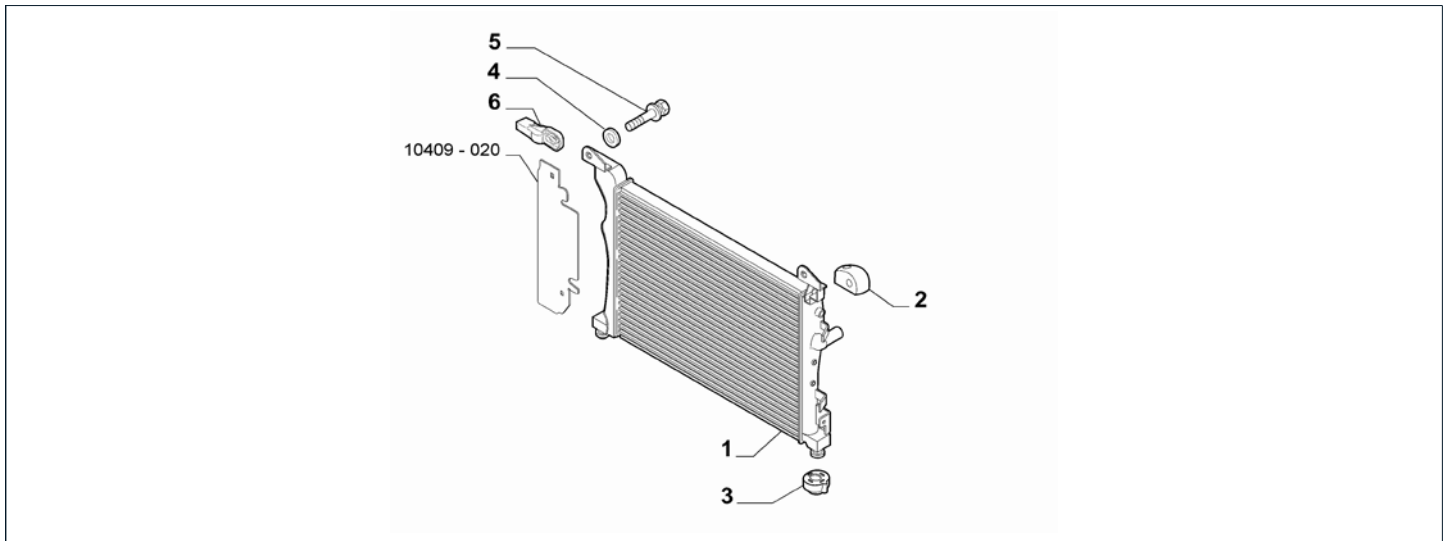


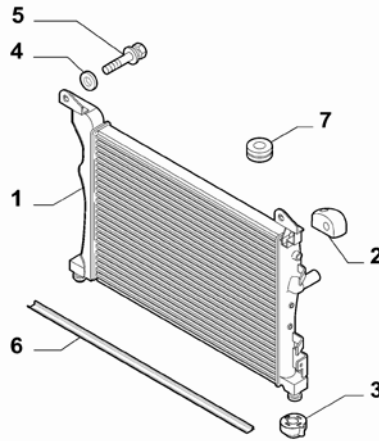
Catalogue	MITO 2011-2013	
Category	5.1 RADIATOR AND LEADS	
Var.	01	1.4 + NOTURBO
Rev.	00	



Part Num.	Description	Compatibility	Modif.	Qty	Notes	Col.	Reman.
1	50522910 RADIATOR	1025+1140		1			
1	50522910 RADIATOR	025+1140		1			
1	50522910 RADIATOR	140		1			
2	55700546 RESILIENT BUSH			2			
3	51805126 RESILIENT BUSH			2			
4	12648924 PLANE WASHER, 6X25			2			
5	14942824 SCREW AND WASHER ASSY, M6X55			2			
6	50512103 BRACKET	025+1140		1			
6	50512103 BRACKET	140		1			

Legend	
025	AIR CONDITIONER 1
140	CLIMATE CONTROL 2
NOTURBO	(ASPIRATED/TURBO):EXHAUST FAN
1.4	HORSE POWER (MARKET):1370

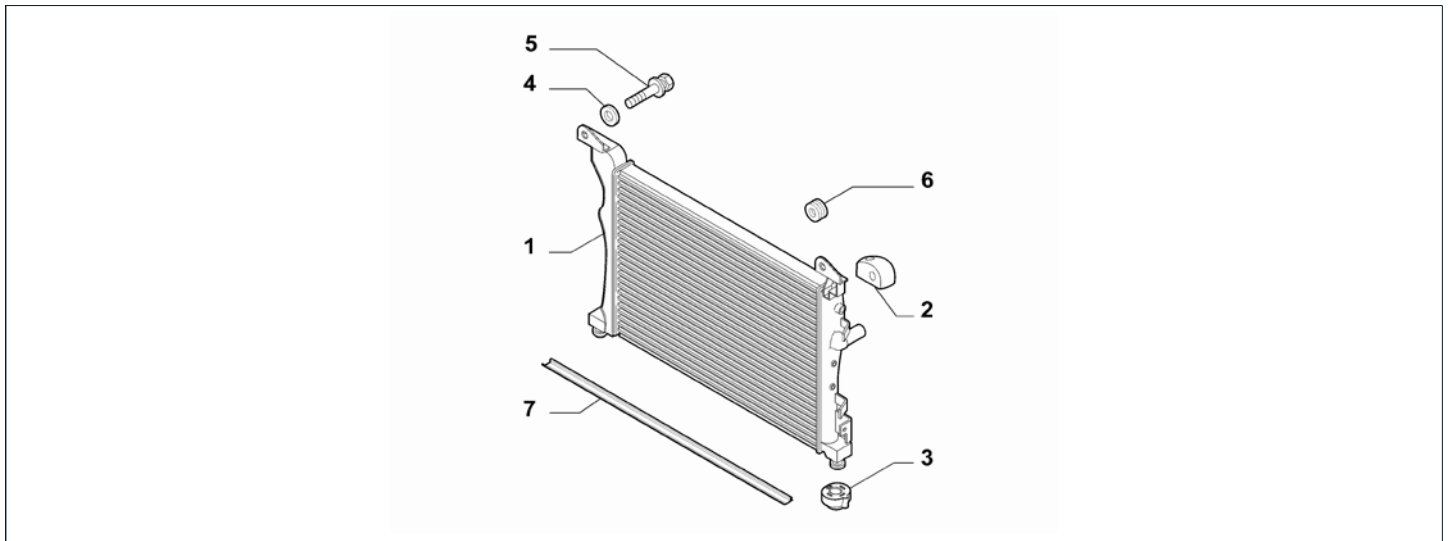
Catalogue	MITO 2011-2013	
Category	5.1 RADIATOR AND LEADS	
Var.	02	1.4 + TURBO
Rev.	00	



Part Num.	Description	Compatibility	Modif.	Qty	Notes	Col.	Reman.
1	51936039 RADIATOR	120HP, 135HP		1			
1	51896964 RADIATOR	170HP		1			
2	55700546 RESILIENT BUSH			2			
3	51805126 RESILIENT BUSH			2			
4	12648924 PLANE WASHER, 6X25			2			
5	14942824 SCREW AND WASHER ASSY			2			
6	51887958 PARTITION PANEL	025		1			
6	51887958 PARTITION PANEL	140		1			
7	7742733 RUBBER BUSHING			2			

Legend	
025	AIR CONDITIONER 1
140	CLIMATE CONTROL 2
TURBO	(ASPIRATED/TURBO):TURBO
1.4	HORSE POWER (MARKET):1370
170HP	POWER:1.4 FIRE 16V TURBO MULTIAIR 170HP EURO 5
120HP	POWER:1.6 JTD EURO5 -1.4 FIRE TRB EURO4 120CV
135HP	POWER:1.4 FIRE 16V TURBO MULTIAIR 135 HP EURO 5

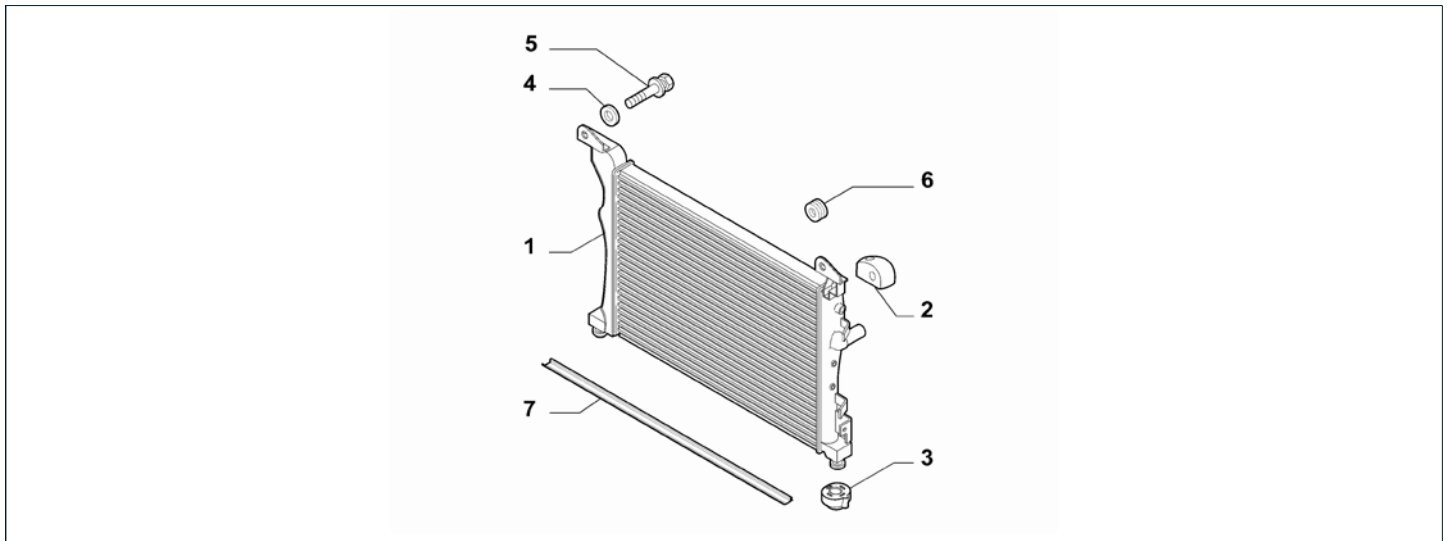
Catalogue	MITO 2011-2013	
Category	5.1 RADIATOR AND LEADS	
Var.	03	1.3D
Rev.	00	



Part Num.	Description	Compatibility	Modif.	Qty	Notes	Col.	Reman.
1	51936039 RADIATOR			1			
2	55700546 RESILIENT BUSH			2			
3	51805126 RESILIENT BUSH			2			
4	12648924 PLANE WASHER, 6X25			2			
5	14942824 SCREW AND WASHER ASSY, M6X55			2			
6	7742733 RUBBER BUSHING			2			
7	51887958 PARTITION PANEL	025		1			
7	51887958 PARTITION PANEL	140		1			

Legend	
025	AIR CONDITIONER 1
140	CLIMATE CONTROL 2
1.3D	HORSE POWER (MARKET):1.3

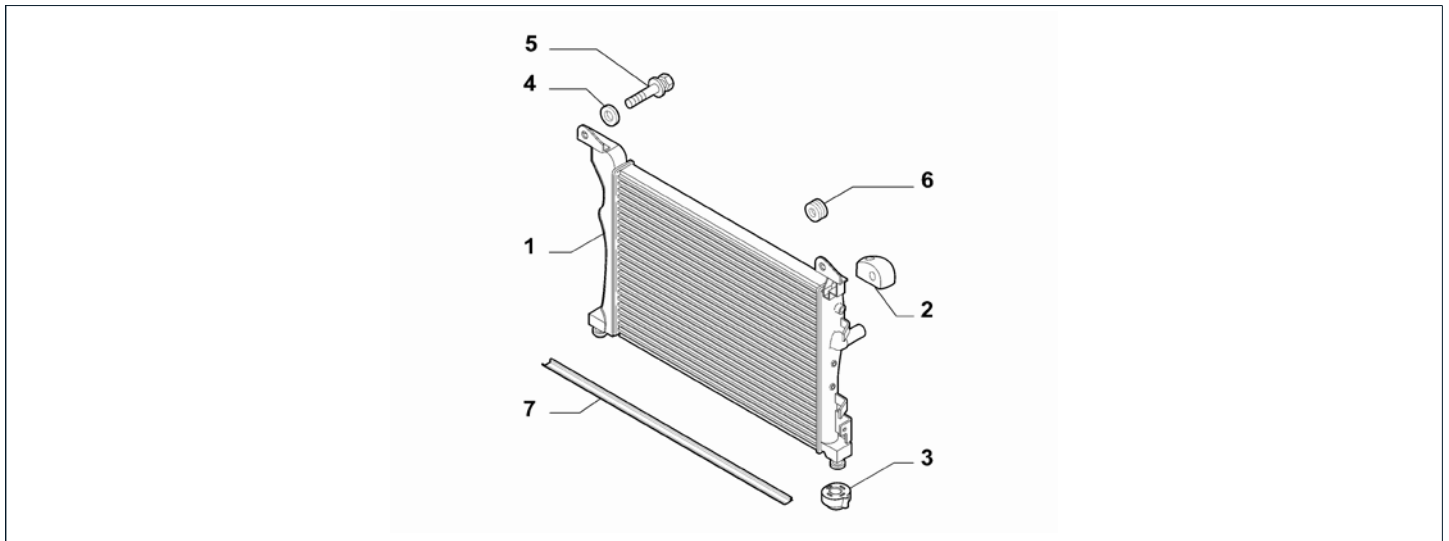
Catalogue	MITO 2011-2013	
Category	5.1 RADIATOR AND LEADS	
Var.	04	1.6D
Rev.	00	



Part Num.	Description	Compatibility	Modif.	Qty	Notes	Col.	Reman.
1	51896964 RADIATOR			3			
2	55700546 RESILIENT BUSH			2			
3	51805126 RESILIENT BUSH			2			
4	12648924 PLANE WASHER, 6X25			2			
5	14942824 SCREW AND WASHER ASSY, M6X55			2			
6	7742733 RUBBER BUSHING			2			
7	51887958 PARTITION PANEL	025		1			
7	51887958 PARTITION PANEL	140		1			

Legend	
025	AIR CONDITIONER 1
140	CLIMATE CONTROL 2
1.6D	HORSE POWER (MARKET):1598

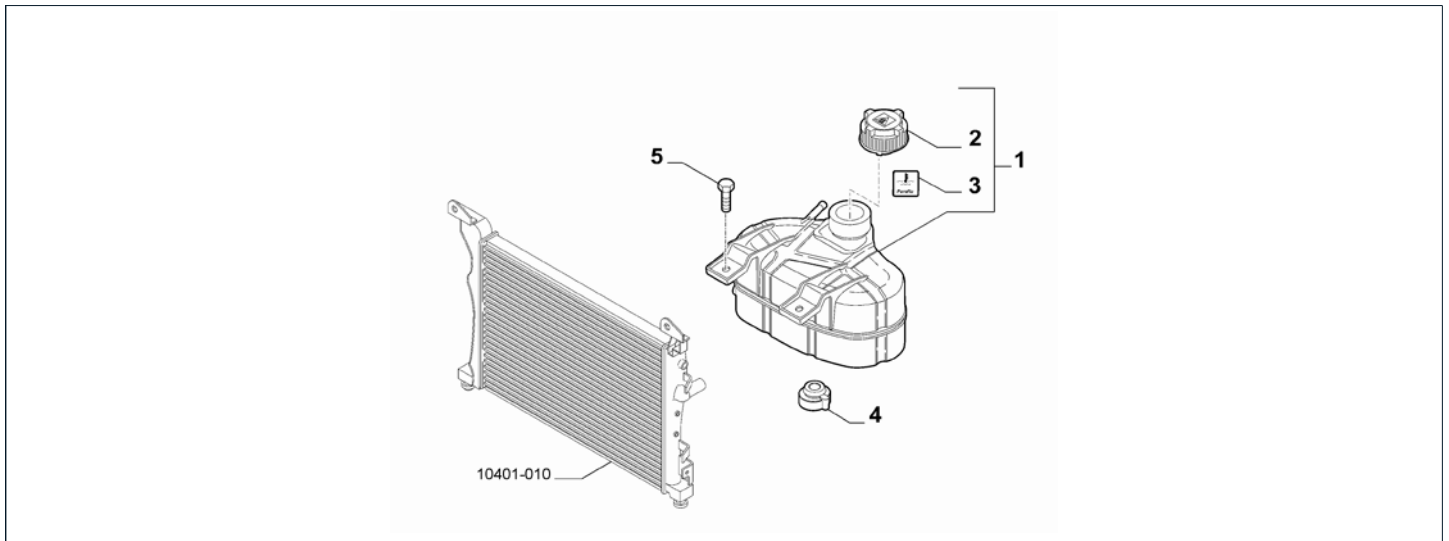
Catalogue	MITO 2011-2013	
Category	5.1 RADIATOR AND LEADS	
Var.	05	875CC
Rev.	00	



Part Num.	Description	Compatibility	Modif.	Qty	Notes	Col.	Reman.
1	50530543 RADIATOR	1025+1140		1			
1	50530543 RADIATOR	025+1140		1			
1	50530543 RADIATOR	140		1			
2	55700546 RESILIENT BUSH			2			
3	51805126 RESILIENT BUSH			2			
4	12648924 PLANE WASHER, 6X25			2			
5	14942824 SCREW AND WASHER ASSY, M6X55			2			
6	7742733 RUBBER BUSHING			2			
7	51887958 PARTITION PANEL	025		1			
7	51887958 PARTITION PANEL	140		1			

Legend	
025	AIR CONDITIONER 1
140	CLIMATE CONTROL 2
875CC	HORSE POWER (MARKET):875

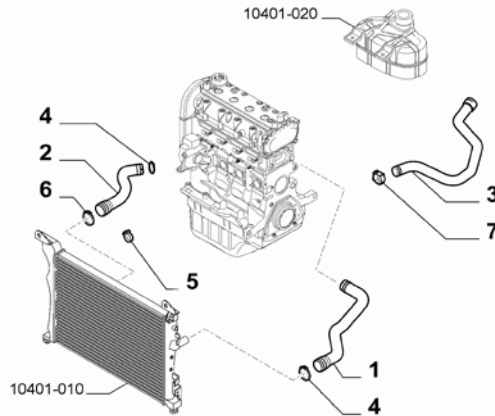
Catalogue	MITO 2011-2013	
Category	5.1 RADIATOR AND LEADS	
Var.	01	
Rev.	00	



Part Num.	Description	Compatibility	Modif.	Qty	Notes	Col.	Reman.
1	55700508 TANK	NOTURBO		1			
1	51793991 TANK	1.4+120HP		1			
1	50522087 TANK	135HP, 170HP		1			
1	55700508 TANK	1.3D		1			
1	50518302 TANK	1.6D		1			
1	51908719 TANK	875CC		1			
2	46799364 CAP			1			
3	12853490 PLATE			1			
4	51805126 RESILIENT BUSH			1			
5	7799775 SCREW			2			

Legend	
NOTURBO	(ASPIRATED/TURBO):EXHAUST FAN
875CC	HORSE POWER (MARKET):875
1.3D	HORSE POWER (MARKET):1.3
1.4	HORSE POWER (MARKET):1370
1.6D	HORSE POWER (MARKET):1598
170HP	POWER:1.4 FIRE 16V TURBO MULTIAIR 170HP EURO 5
120HP	POWER:1.6 JTD EURO5 -1.4 FIRE TRB EURO4 120CV
135HP	POWER:1.4 FIRE 16V TURBO MULTIAIR 135 HP EURO 5

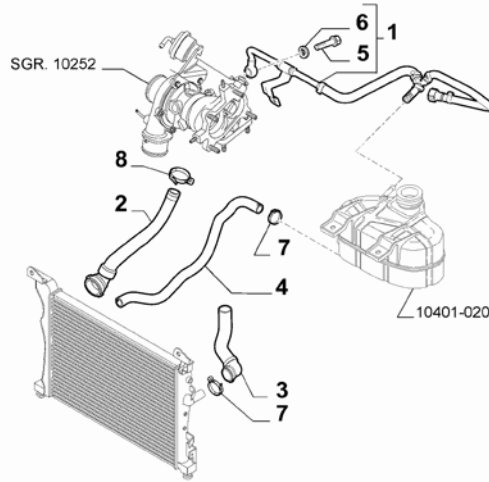
Catalogue	MITO 2011-2013	
Category	5.1 RADIATOR AND LEADS	
Var.	01	1.4 + NOTURBO
Rev.	00	



Part Num.	Description	Compatibility	Modif.	Qty	Notes	Col.	Reman.
1	55703225 SLEEVE			1			
2	55700528 SLEEVE	8V		1			
2	55700528 SLEEVE	16V+78HP		1			
2	50515248 SLEEVE	105HP		1			
3	55703092 HOSE			1			
4	10860870 COLLAR, DIAMETER 38			1			
5	11448170 COLLAR			1			
6	10861170 COLLAR, DIAMETER 43			1			
7	13125470 COLLAR, DIAMETER 13-14			1			

Legend	
NOTURBO	(ASPIRATED/TURBO):EXHAUST FAN
1.4	HORSE POWER (MARKET):1370
78HP	POWER:1.4 FIRE 8V/16V 78HP EURO5
105HP	POWER:1.4 FIRE 16V MULTIAIR 105HP (EURO 5)
16V	TOTAL NUMBER OF VALVES:16 VALVES
8V	TOTAL NUMBER OF VALVES:8 VALVES

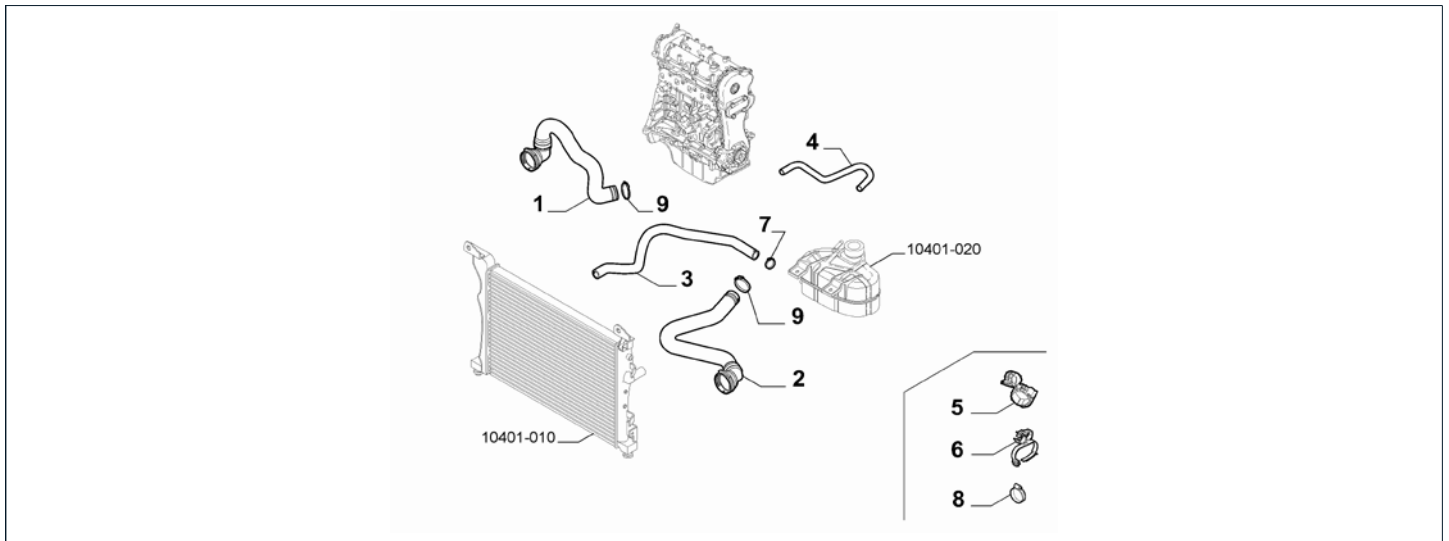
Catalogue	MITO 2011-2013	
Category	5.1 RADIATOR AND LEADS	
Var.	02	1.4 + TURBO
Rev.	00	



Part Num.	Description	Compatibility	Modif.	Qty	Notes	Col.	Reman.
1	50515065	HOSE	135HP+PCC510		1		
1	50516178	HOSE	TCT		1		
1	50519266	HOSE	PCC635+ITCT		1		
1	51829147	HOSE	EURO4		1		
1	50521517	HOSE	120HP+EURO5		1		
2	51793996	SLEEVE	120HP		1		
2	50516177	SLEEVE	135HP+PCC635		1		
2	50515064	SLEEVE	135HP+PCC510		1		
2	50515050	SLEEVE	170HP		1		
2	50522845	SLEEVE	170HP+4MJ		1		
3	50516176	SLEEVE	135HP+PCC635		1		
3	50518559	SLEEVE	135HP+PCC510		1		
3	50519416	SLEEVE	170HP		1		
3	50518856	SLEEVE	EURO4		1		
3	50521519	SLEEVE	120HP+EURO5		1		
4	50529875	HOSE	135HP, 170HP		1		
4	50512464	HOSE	120HP		1		
4	50522060	HOSE	135HP+4MJ		1		
4	50522953	HOSE	170HP+4MJ		1		
5	51823615	SEAL GASKET			2		
6	10185111	UNION			1		
7	11448170	COLLAR			1		
8	10860870	COLLAR, DIAMETER 38			1		

Legend	
TCT	SPECIFIC GEARBOX
4MJ	SPECIFIC FOR LIGHT TROPICAL MARKET
TURBO	(ASPIRATED/TURBO):TURBO
1.4	HORSE POWER (MARKET):1370
EURO4	ECOLOGY:EEC LIM. STAGE 4
EURO5	ECOLOGY:LIM.ECC PHASE 5
170HP	POWER:1.4 FIRE 16V TURBO MULTIAIR 170HP EURO 5
120HP	POWER:1.6 JTD EURO5 -1.4 FIRE TRB EURO4 120CV
135HP	POWER:1.4 FIRE 16V TURBO MULTIAIR 135 HP EURO 5
PCC510	GEARBOX DESIGN:GEARBOX
PCC635	GEARBOX DESIGN:GEARBOX 35 KGM

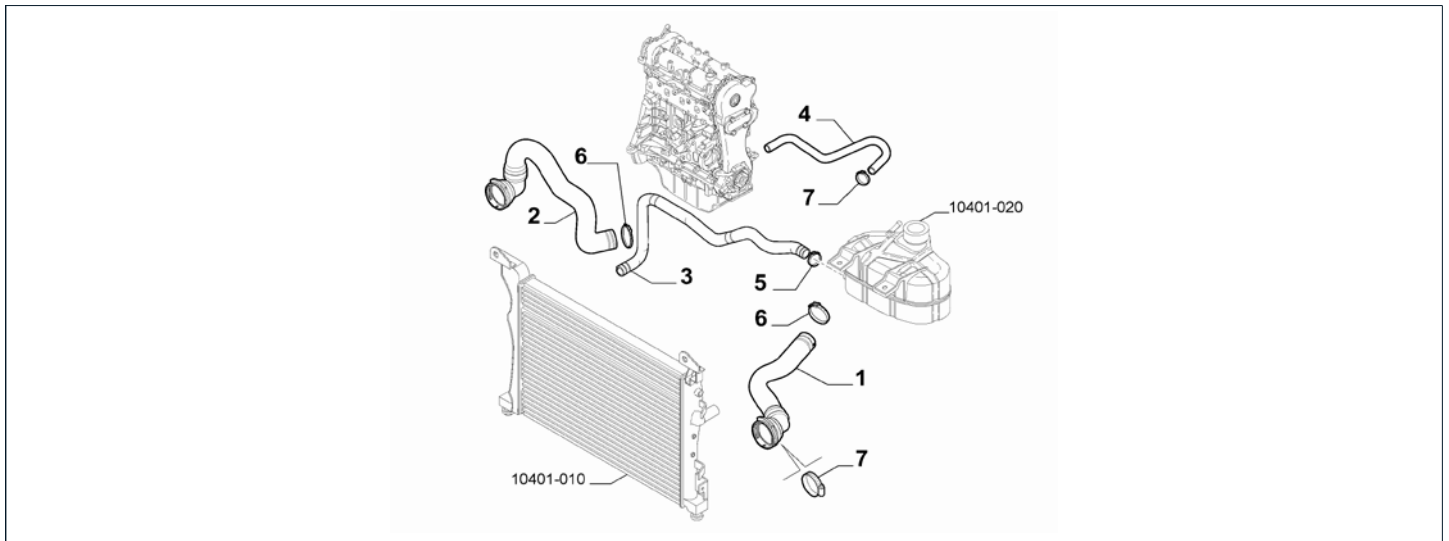
Catalogue	MITO 2011-2013	
Category	5.1 RADIATOR AND LEADS	
Var.	03	1.3D
Rev.	00	



Part Num.	Description	Compatibility	Modif.	Qty	Notes	Col.	Reman.
1	51793059 SLEEVE			1			
2	51895437 SLEEVE			1			
3	50512464 HOSE			1			
4	51816504 HOSE	166M		1			
4	51895753 HOSE	66M		1			
5	50503521 CLIP			1			
6	51799031 CLIP			1			
7	11448170 COLLAR			2			
8	10860870 COLLAR, DIAMETER 38			2			
9	13125470 COLLAR, DIAMETER 13-14			1			

Legend	
66M	ECO KIT 2
1.3D	HORSE POWER (MARKET):1.3

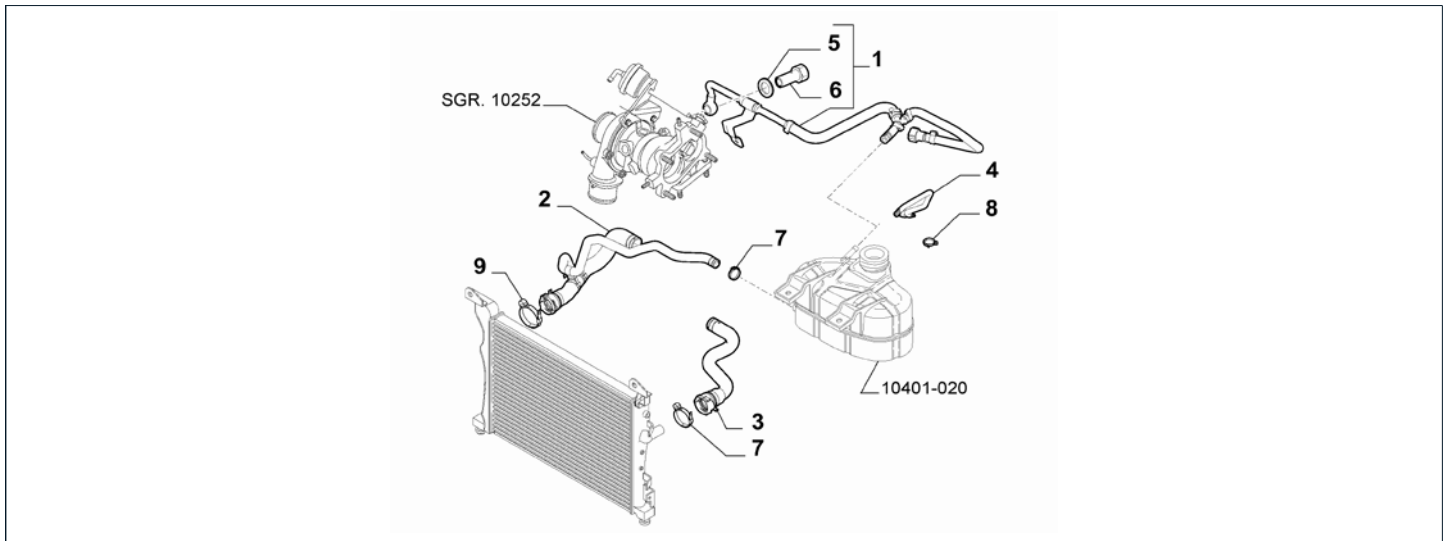
Catalogue	MITO 2011-2013	
Category	5.1 RADIATOR AND LEADS	
Var.	04	1.6D
Rev.	00	



Part Num.	Description	Compatibility	Modif.	Qty	Notes	Col.	Reman.
1	51861272 SLEEVE			1			
2	50514162 SLEEVE			1			
3	50518849 HOSE			1			
4	50520356 HOSE			1			
5	11448170 COLLAR			2			
6	10861170 COLLAR, DIAMETER 43			2			
7	13125470 COLLAR, DIAMETER 13-14			1			

Legend	
1.6D	HORSE POWER (MARKET):1598

Catalogue	MITO 2011-2013	
Category	5.1 RADIATOR AND LEADS	
Var.	05	875CC
Rev.	00	



Part Num.	Description	Compatibility	Modif.	Qty	Notes	Col.	Reman.
1	51908727 HOSE			1			
2	51908721 SLEEVE			1			
3	51908720 SLEEVE			1			
4	51908578 HOSE			1			
5	51823615 SEAL GASKET			2			
5	51917672 SEAL GASKET			2			
6	71769772 UNION			1			
7	10860870 COLLAR, DIAMETER 38			1			
8	13125470 COLLAR, DIAMETER 13-14			1			
9	10861170 COLLAR, DIAMETER 43			1			

Legend	
875CC	HORSE POWER (MARKET):875