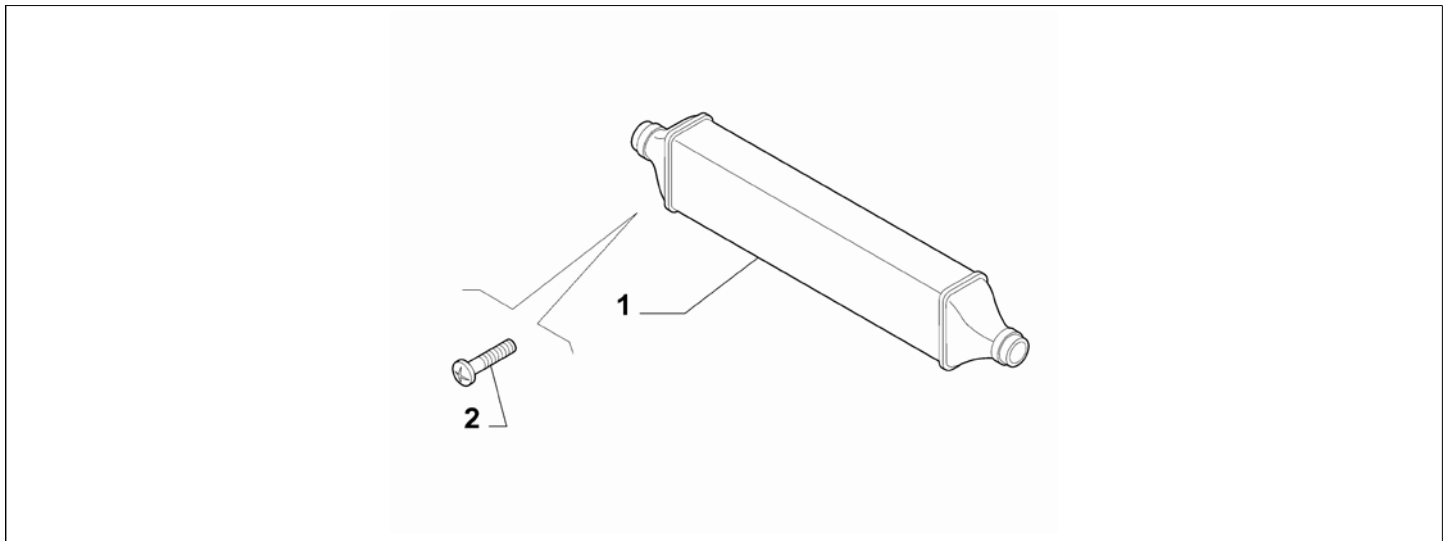


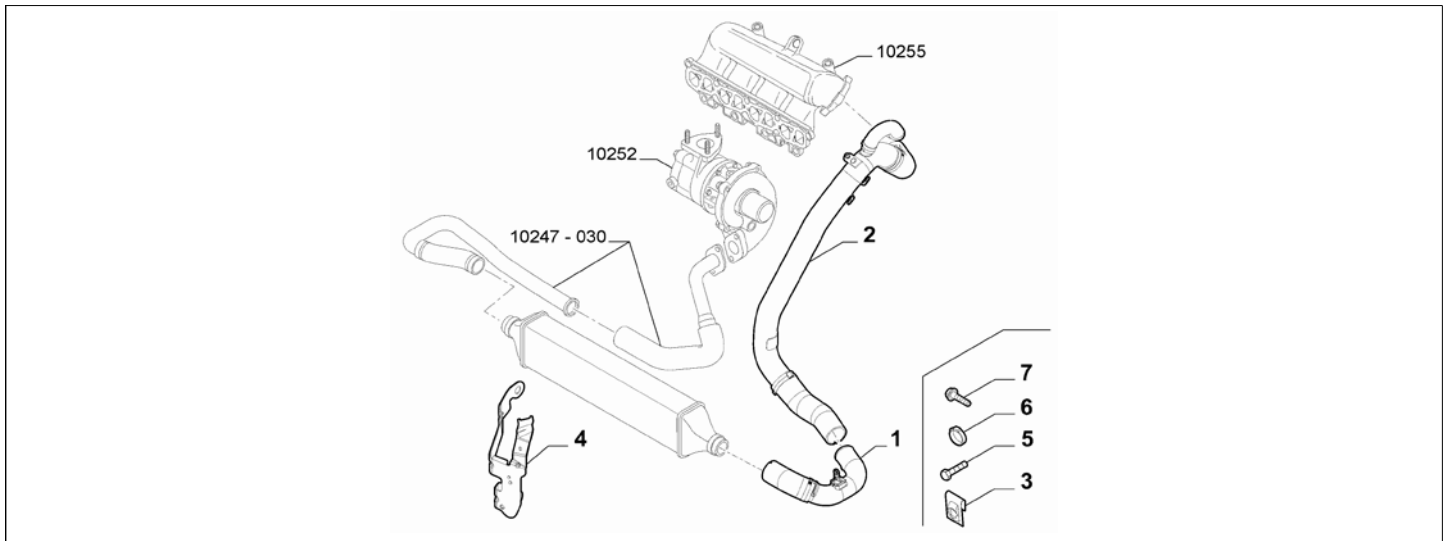
Catalogue	MITO 2011-2013	
Category	3.8 HEAT EXCHANGER PIPELINE	
Var.	01	
Rev.	00	



Part Num.	Description	Compatibility	Modif.	Qty	Notes	Col.	Reman.
1	51837369	HEAT EXCHANGER	1.3D		1		
1	51783791	HEAT EXCHANGER	1.4+TURBO, 1.6D		1		
1	51783791	HEAT EXCHANGER	875CC+1025+1140		1		
1	51783791	HEAT EXCHANGER	875CC+025+1140		1		
1	51783791	HEAT EXCHANGER	875CC+140		1		
2	15699804	SCREW			3		

Legend	
025	AIR CONDITIONER 1
140	CLIMATE CONTROL 2
TURBO	(ASPIRATED/TURBO):TURBO
875CC	HORSE POWER (MARKET):875
1.3D	HORSE POWER (MARKET):1.3
1.4	HORSE POWER (MARKET):1370
1.6D	HORSE POWER (MARKET):1598

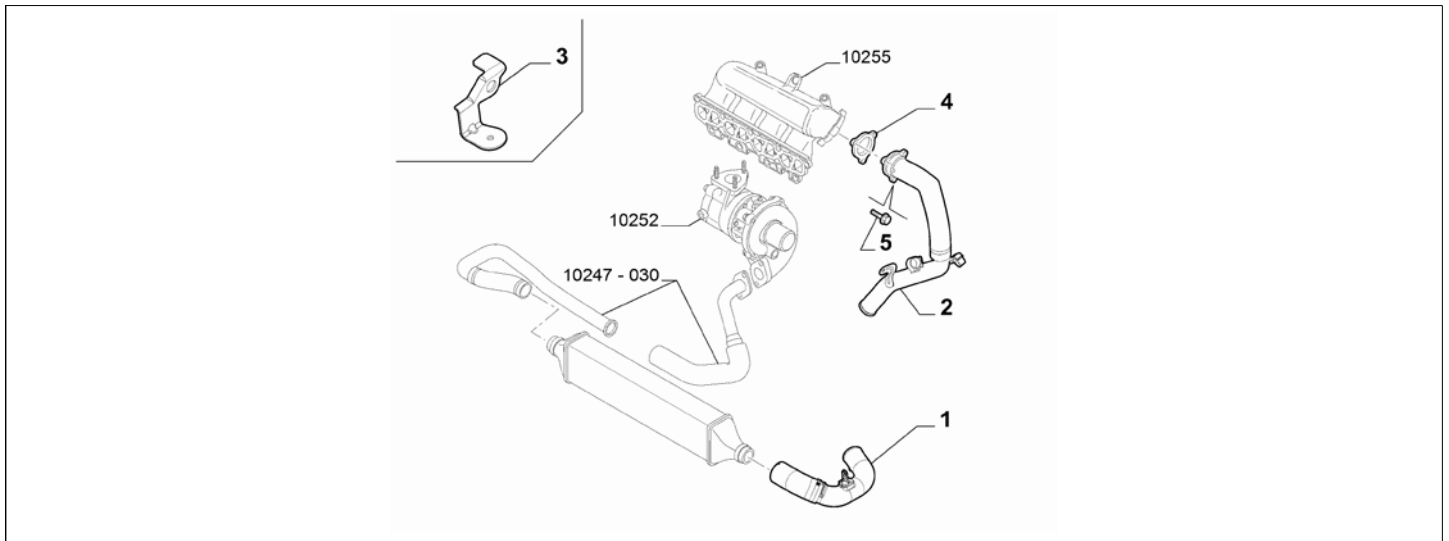
Catalogue	MITO 2011-2013	
Category	3.8 HEAT EXCHANGER PIPELINE	
Var.	01	875CC
Rev.	00	



Part Num.	Description	Compatibility	Modif.	Qty	Notes	Col.	Reman.
1	51908731 SLEEVE			1			
2	51908728 SLEEVE			1			
3	14189071 BRACKET			1			
4	55245619 BRACKET			1			
5	18750624 SCREW, M6X25			1			
6	13097290 COLLAR, DIAMETER 35			2			
6	71714117 COLLAR, DIAMETER 50-70			1			
6	11083570 COLLAR			1			
7	18751721 SCREW	875CC		3			

Legend	
875CC	HORSE POWER (MARKET):875

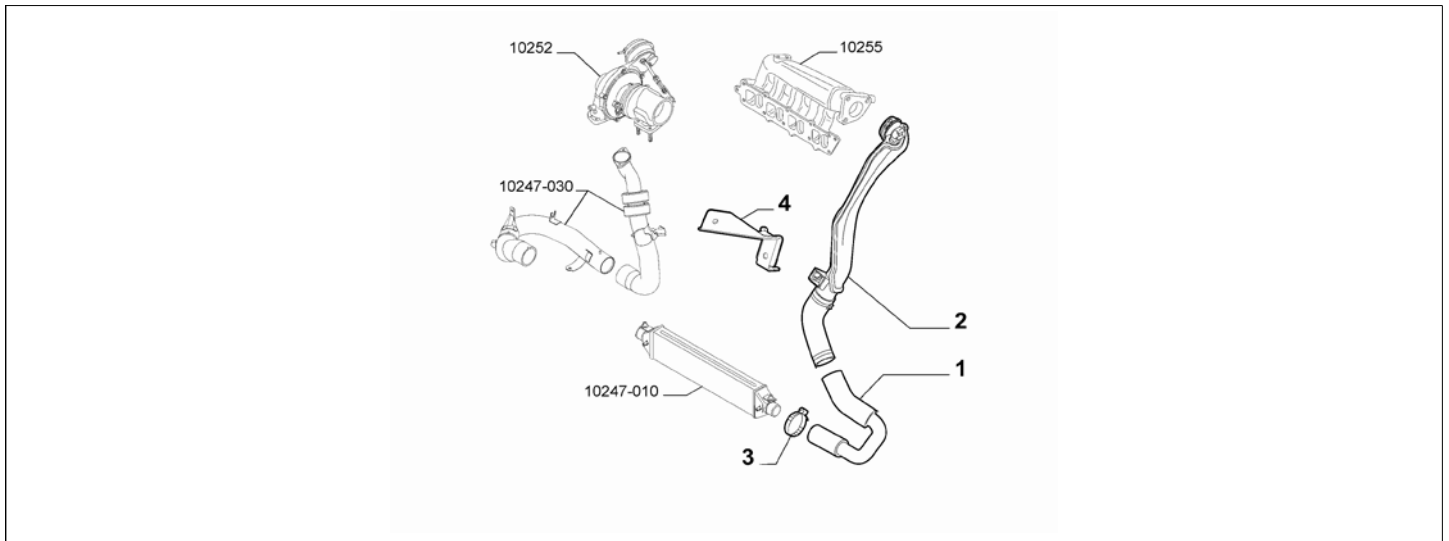
Catalogue	MITO 2011-2013	
Category	3.8 HEAT EXCHANGER PIPELINE	
Var.	02	1.3D
Rev.	00	



Part Num.	Description	Compatibility	Modif.	Qty	Notes	Col.	Reman.
1	51878740 SLEEVE			1			
2	51816510 SLEEVE			1			
3	55218323 BRACKET			1			
4	14464586 SEAL GASKET			1			
5	16388824 SCREW	1.3D		1			

Legend	
1.3D	HORSE POWER (MARKET):1.3

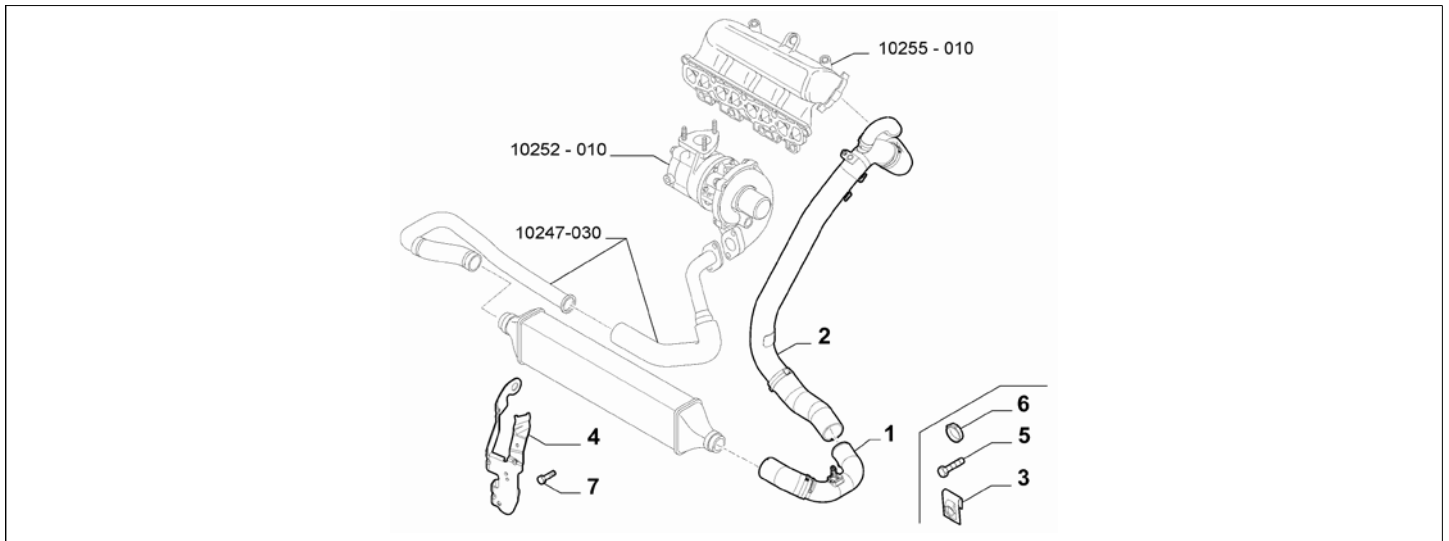
Catalogue	MITO 2011-2013	
Category	3.8 HEAT EXCHANGER PIPELINE	
Var.	03	1.6D
Rev.	00	



Part Num.	Description	Compatibility	Modif.	Qty	Notes	Col.	Reman.
1	50518982 SLEEVE			1			
2	50518304 SLEEVE			1			
3	71714117 COLLAR, DIAMETER 50-70			1			
4	55230694 BRACKET			1			

Legend	
1.6D	HORSE POWER (MARKET):1598

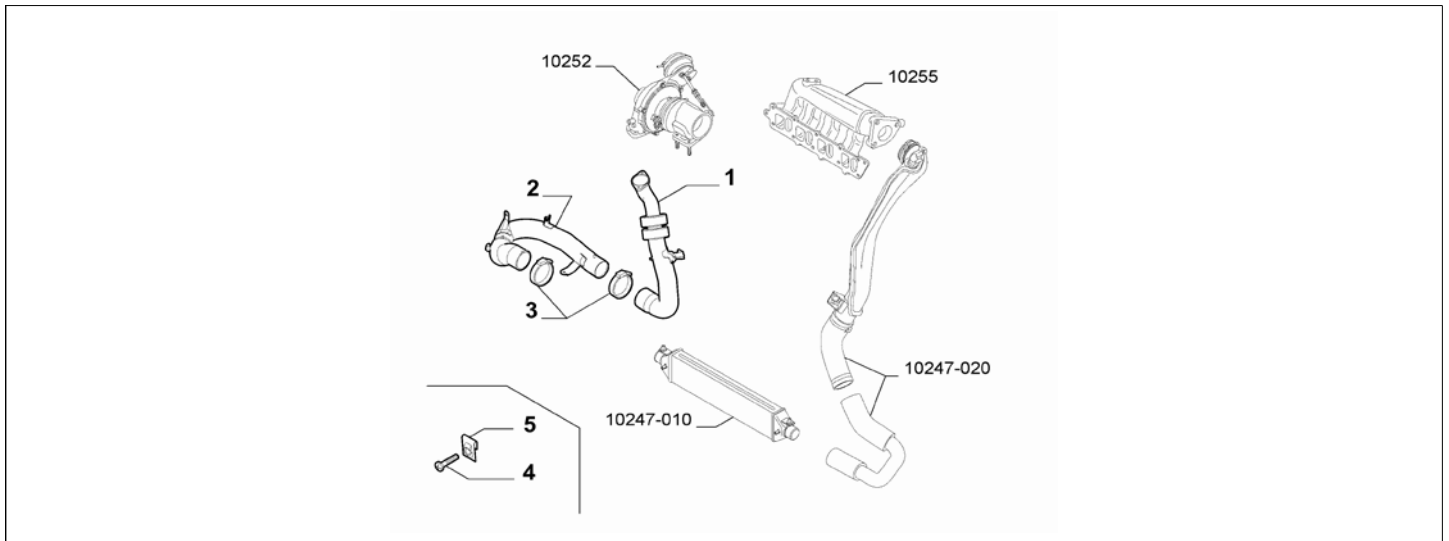
Catalogue	MITO 2011-2013	
Category	3.8 HEAT EXCHANGER PIPELINE	
Var.	04	1.4
Rev.	00	



Part Num.	Description	Compatibility	Modif.	Qty	Notes	Col.	Reman.
1	50518982 SLEEVE	135HP, 170HP		1			
1	51825661 SLEEVE	120HP		1			
2	50519424 SLEEVE	135HP+TURBO+PCC510		1			
2	50519425 SLEEVE	PCC635+ITCT		1			
2	50519426 SLEEVE	TCT		1			
2	51825650 SLEEVE	120HP		1			
3	14189071 BRACKET	TURBO		1			
4	55215035 BRACKET	120HP		1			
4	55224593 BRACKET	170HP		1			
4	55226799 BRACKET	135HP+TURBO+PCC510		1			
4	55235132 BRACKET	135HP+PCC635		1			
5	18750624 SCREW, M6X25	TURBO		1			
6	13097290 COLLAR, DIAMETER 35	TURBO		2			
6	71714117 COLLAR, DIAMETER 50-70	TURBO		1			
6	11083570 COLLAR	TURBO		1			
7	16286121 SCREW	135HP+PCC635		1			

Legend	
TCT	SPECIFIC GEARBOX
TURBO	(ASPIRATED/TURBO):TURBO
1.4	HORSE POWER (MARKET):1370
170HP	POWER:1.4 FIRE 16V TURBO MULTIAIR 170HP EURO 5
120HP	POWER:1.6 JTD EURO5 -1.4 FIRE TRB EURO4 120CV
135HP	POWER:1.4 FIRE 16V TURBO MULTIAIR 135 HP EURO 5
PCC510	GEARBOX DESIGN:GEARBOX
PCC635	GEARBOX DESIGN:GEARBOX 35 KGM

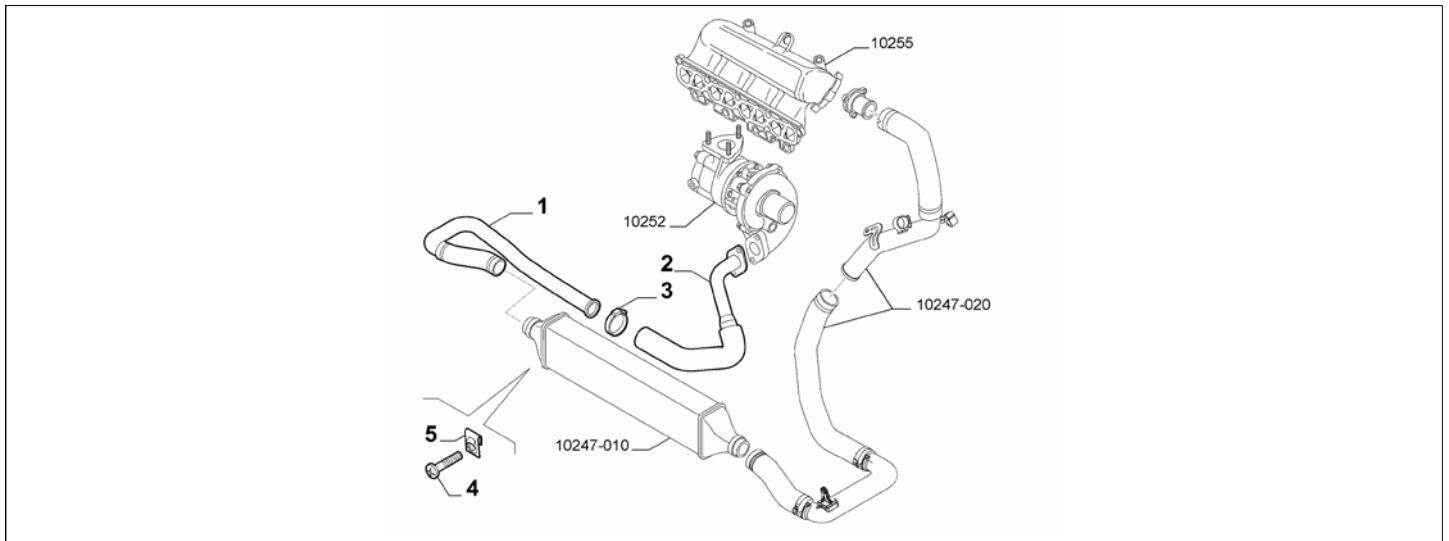
Catalogue	MITO 2011-2013	
Category	3.8 HEAT EXCHANGER PIPELINE	
Var.	01	1.4
Rev.	00	



Part Num.	Description	Compatibility	Modif.	Qty	Notes	Col.	Reman.
1	51877270 SLEEVE	120HP		1			
1	50515067 SLEEVE	135HP+PCC510		1			
1	51888099 SLEEVE	PCC635+ITCT		1			
1	50516180 SLEEVE	TCT		1			
2	51838612 SLEEVE	120HP		1			
2	50518981 SLEEVE	135HP, 170HP		1			
3	71714116 COLLAR, DIAMETER 40-60			1			
3	71714117 COLLAR, DIAMETER 50-70			1			
4	18750624 SCREW, M6X25			2			
5	14189071 BRACKET	TURBO		2			

Legend	
TCT	SPECIFIC GEARBOX
TURBO	(ASPIRATED/TURBO):TURBO
1.4	HORSE POWER (MARKET):1370
170HP	POWER:1.4 FIRE 16V TURBO MULTIAIR 170HP EURO 5
120HP	POWER:1.6 JTD EURO5 -1.4 FIRE TRB EURO4 120CV
135HP	POWER:1.4 FIRE 16V TURBO MULTIAIR 135 HP EURO 5
PCC510	GEARBOX DESIGN:GEARBOX
PCC635	GEARBOX DESIGN:GEARBOX 35 KGM

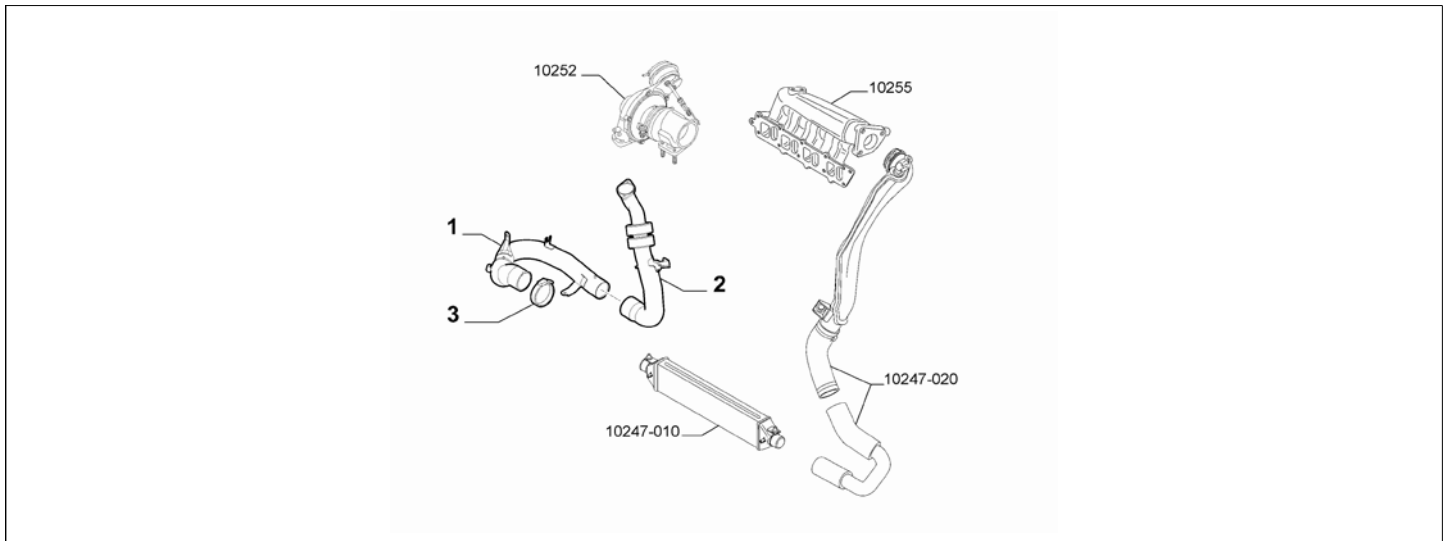
Catalogue	MITO 2011-2013	
Category	3.8 HEAT EXCHANGER PIPELINE	
Var.	02	1.3D
Rev.	00	



Part Num.	Description	Compatibility	Modif.	Qty	Notes	Col.	Reman.
1	51878736 SLEEVE			1			
2	51887300 SLEEVE			1			
3	71714115 COLLAR, DIAMETER 30-45			1			
4	18750624 SCREW, M6X25			2			
5	14189071 BRACKET			2			

Legend	
1.3D	HORSE POWER (MARKET):1.3

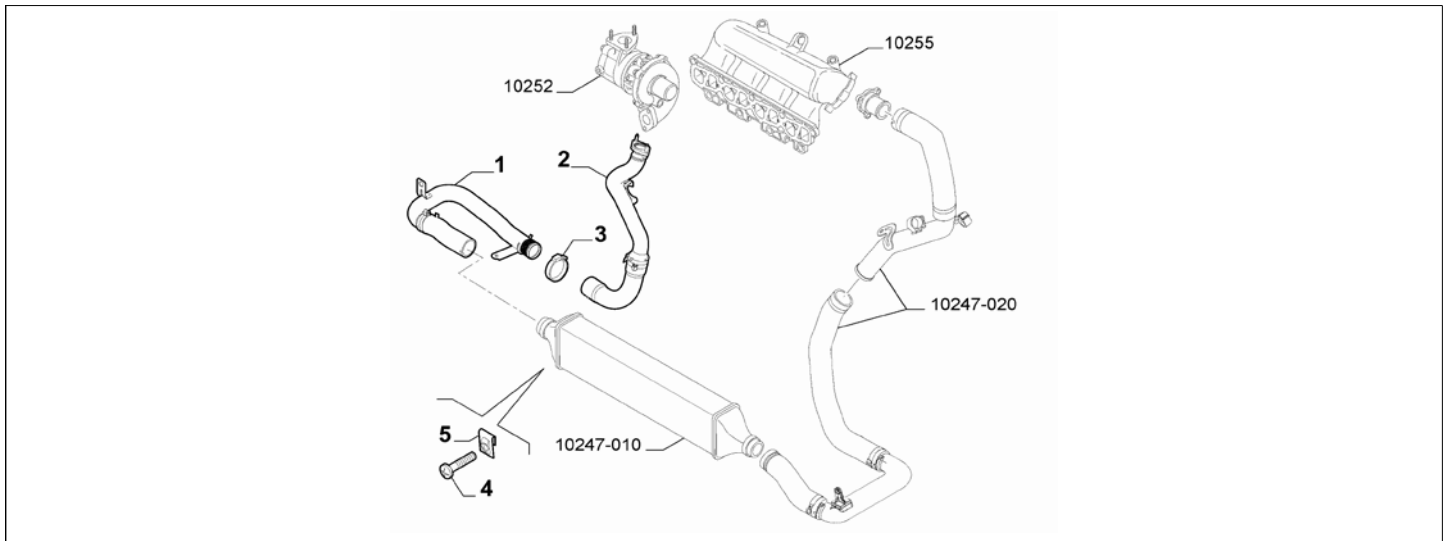
Catalogue	MITO 2011-2013	
Category	3.8 HEAT EXCHANGER PIPELINE	
Var.	03	1.6D
Rev.	00	



Part Num.	Description	Compatibility	Modif.	Qty	Notes	Col.	Reman.
1	50520203 PIPE			1			
2	50516866 SLEEVE			1			
3	71714117 COLLAR, DIAMETER 50-70			1			

Legend	
1.6D	HORSE POWER (MARKET):1598

Catalogue	MITO 2011-2013	
Category	3.8 HEAT EXCHANGER PIPELINE	
Var.	04	875CC
Rev.	00	



Part Num.	Description	Compatibility	Modif.	Qty	Notes	Col.	Reman.
1	51908730 SLEEVE			1			
2	51908729 SLEEVE			1			
3	71714115 COLLAR, DIAMETER 30-45			1			
4	18750624 SCREW, M6X25			2			
5	14189071 BRACKET			2			

Legend	
875CC	HORSE POWER (MARKET):875