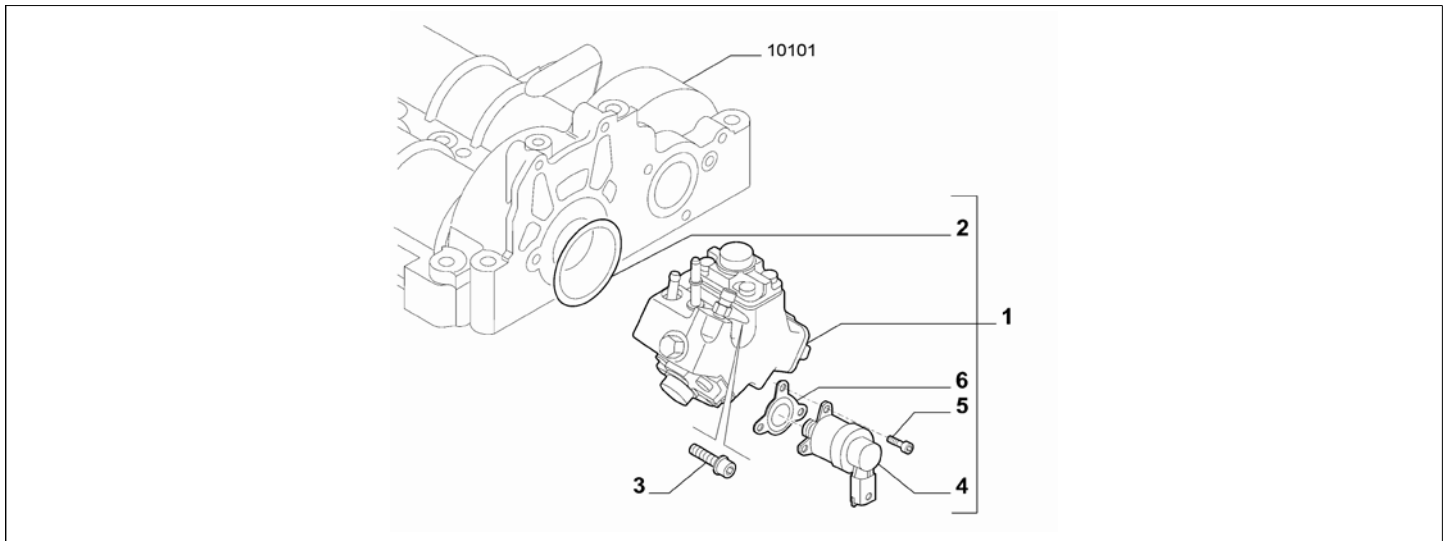


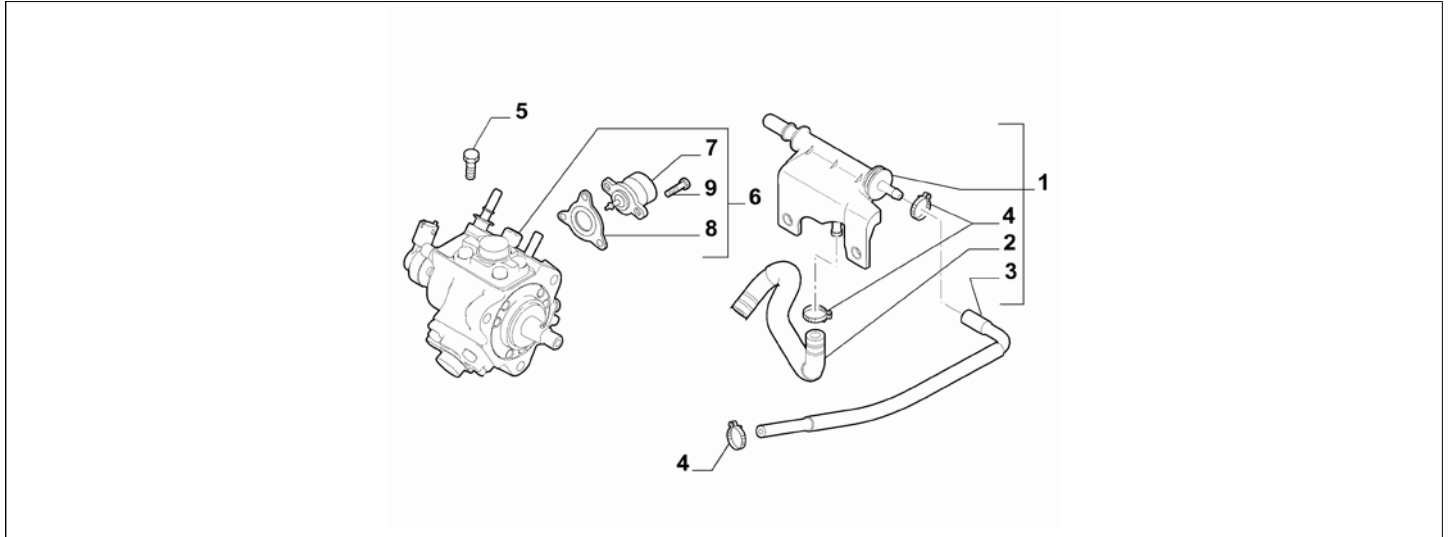
Catalogue	MITO 2011-2013	
Category	3.7 FUEL INJECTION SYSTEM	
Var.	01	1.3D + DIESEL + (95HP, 85HP) + EURO5
Rev.	00	



Part Num.	Description	Compatibility	Modif.	Qty	Notes	Col.	Reman.
1	55237690 INJECTION PUMP	!66M		01			71724872
1	55236707 INJECTION PUMP	66M		01			71796928
2	55186955 SEAL			01			
3	73503310 SCREW, M2X20			03			
4	71754571 PRESSURE REGULATOR	!66M		1			
4	71772309 PRESSURE REGULATOR	66M		1			
5	71754621 SCREW			03			
6	71754620 SEAL GASKET			1			

Legend	
66M	ECO KIT 2
1.3D	HORSE POWER (MARKET):1.3
DIESEL	FUEL:DIESEL
EURO5	ECOLOGY:LIM.ECC PHASE 5
85HP	POWER:1.3 SDE 85HP EURO5
95HP	POWER:1.3 SDE 95HP EURO5

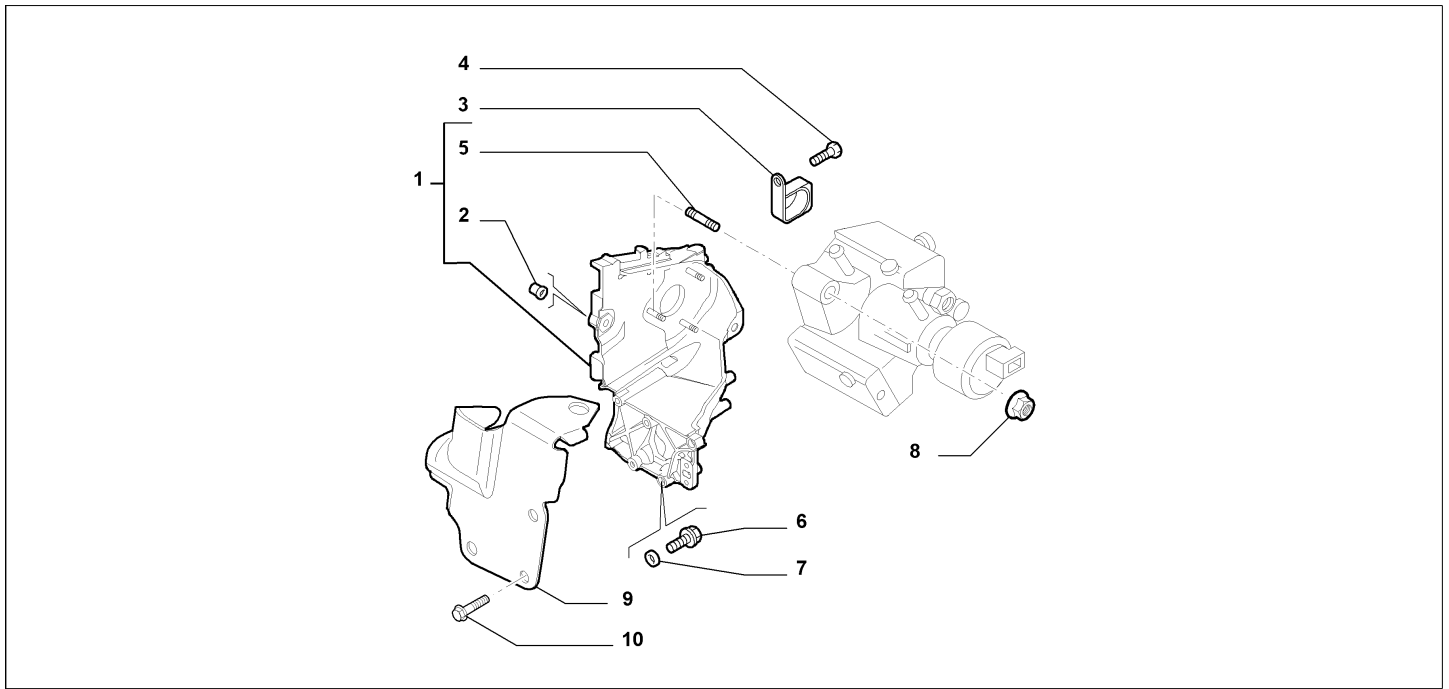
Catalogue	MITO 2011-2013	
Category	3.7 FUEL INJECTION SYSTEM	
Var.	02	1.6D + DIESEL + 120HP
Rev.	00	



Part Num.	Description	Compatibility	Modif.	Qty	Notes	Col.	Reman.
1	55227731 DUCTING			01			
2	55210139 SLEEVE			01			
3	55229353 HOSE			01			
4	13125570 COLLAR, DIAM 13-14			03			
5	16286424 SCREW, M6X35			02			
6	55230112 INJECTION PUMP	S/S	C15005	01			71795742
6	55237688 INJECTION PUMP	S/S	D15005	01			71795701
7	71754571 PRESSURE REGULATOR			01			
8	71754620 SEAL GASKET			01			
9	71754621 SCREW			03			

Legend	
S/S	STOP&START
1.6D	HORSE POWER (MARKET):1598
DIESEL	FUEL:DIESEL
120HP	POWER:1.6 JTD EURO5 -1.4 FIRE TRB EURO4 120CV
15005	NEW INJECTION PUMP [DAT 23/03/2011]

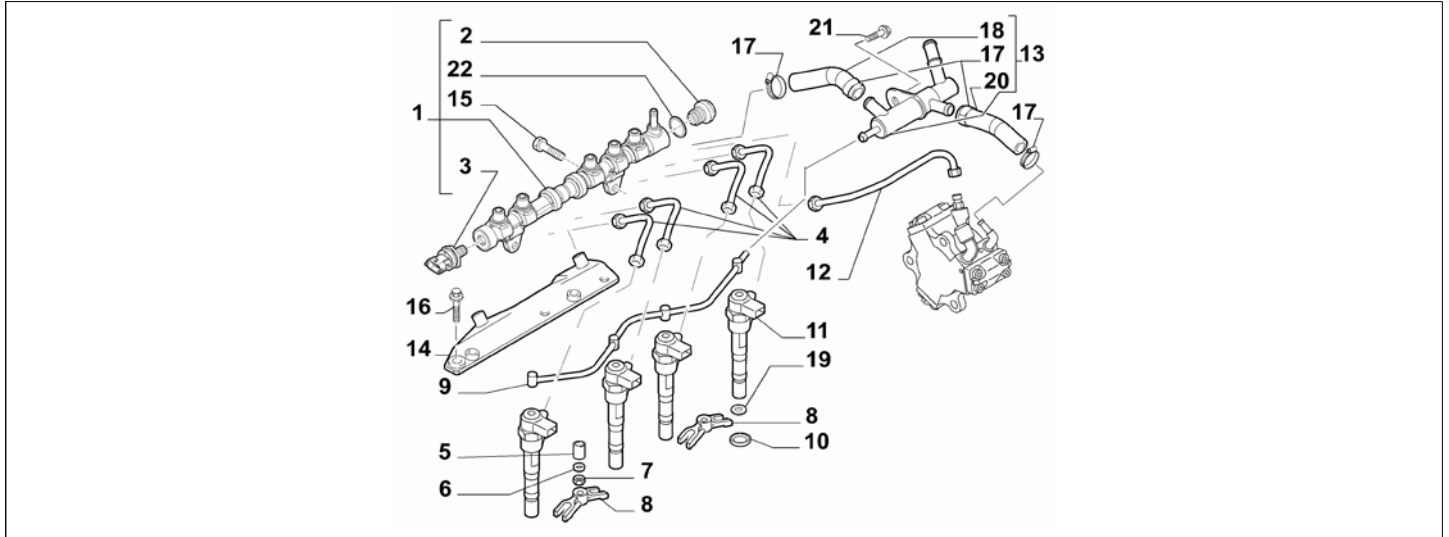
Catalogue	MITO 2011-2013	
Category	3.7 FUEL INJECTION SYSTEM	
Var.	01	1.6D + DIESEL + 120HP
Rev.	00	



Part Num.	Description	Compatibility	Modif.	Qty	Notes	Col.	Reman.
1	55226623 SUPPORT			01			
2	55207720 BUSH			01			
3	55209649 BRACKET			01			
4	16286124 SCREW, M6X16			02			
5	46522794 STUD, M8X11-30			03			
6	18752824 SCREW			03			
6	55231474 SCREW			01			
6	55207946 SCREW			02			
7	46469163 PLANE WASHER, 10X28X4			01			
8	55192175 NUT			03			
9	51813786 PROTECTION			01			
10	55192179 SCREW			03			

Legend	
1.6D	HORSE POWER (MARKET):1598
DIESEL	FUEL:DIESEL
120HP	POWER:1.6 JTD EURO5 -1.4 FIRE TRB EURO4 120CV

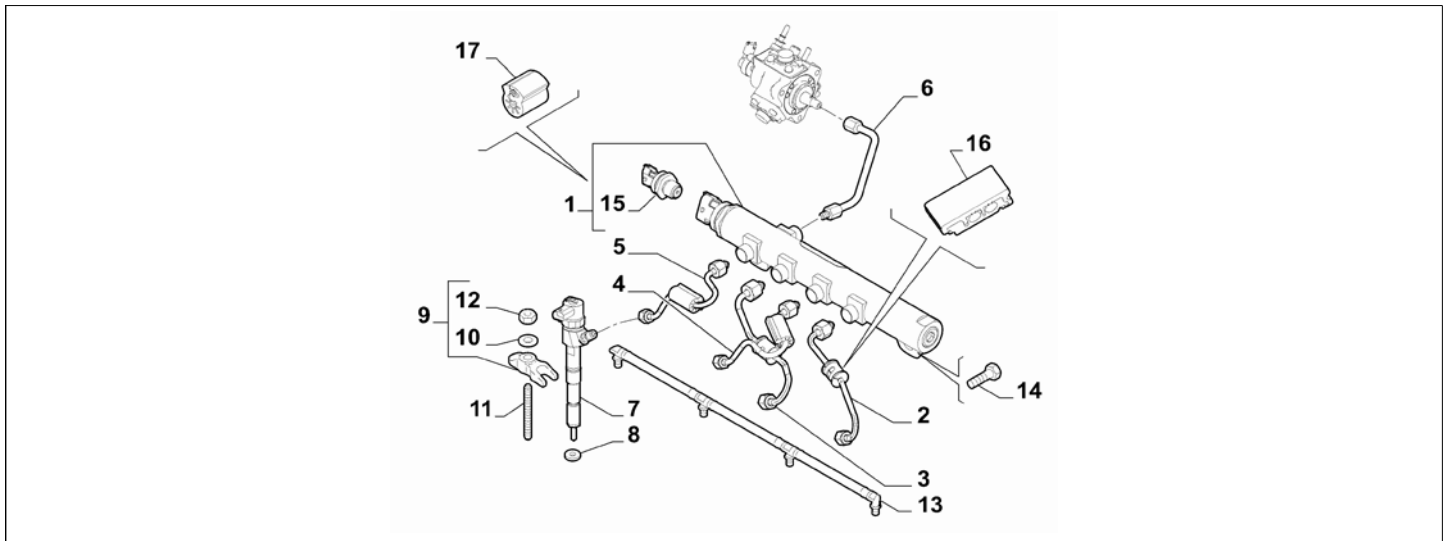
Catalogue	MITO 2011-2013	
Category	3.7 FUEL INJECTION SYSTEM	
Var.	01	1.3D + DIESEL + (95HP, 85HP) + EURO5
Rev.	00	



Part Num.	Description	Compatibility	Modif.	Qty	Notes	Col.	Reman.
1	55232355	HYDRAULIC ACCU_MULATOR, COMPL	C16441	1			
1	55272136	HYDRAULIC ACCU_MULATOR, COMPL	D16441	1			
2	55230826	PRESSURE REGULATOR	C16441	1			
3	55280822	SENSOR		1			
4	55216332	PIPE		1			
5	55189556	NUT		2			
6	55189555	LOCK WASHER, 8X16X1,9		2			
7	55189554	PLANE WASHER		2			
8	55227185	BRACKET		2			
9	55245385	PIPE		1			
10	55205036	SEAL GASKET		4			
11	71724534	INJECTOR		4			71724535
12	55216339	PIPE		1			
13	55232390	CONNECTION	C16441	1			
13	55239224	CONNECTION	D16441	1			
14	55180303	BRACKET		1			
15	16287321	SCREW, M8X30		2			
16	55192237	SCREW AND WASHERASSY, M8X18		3			
17	13125570	COLLAR, 13,0-14,0		4			
18	55221230	SLEEVE	C16441	1			
19	55245288	SEALING WASHER		4			
20	55187667	SLEEVE		1			
21	55229981	SCREW	C16441	1			
21	55195327	SCREW	D16441	1			
22	71769508	SEAL GASKET, Rif. BOSCH cod. F00 R000 739	C16441	1			

Legend	
1.3D	HORSE POWER (MARKET):1.3
DIESEL	FUEL:DIESEL
EURO5	ECOLOGY:LIM.ECC PHASE 5
85HP	POWER:1.3 SDE 85HP EURO5
95HP	POWER:1.3 SDE 95HP EURO5
16441	New engine control module [DAT 14/11/2012]

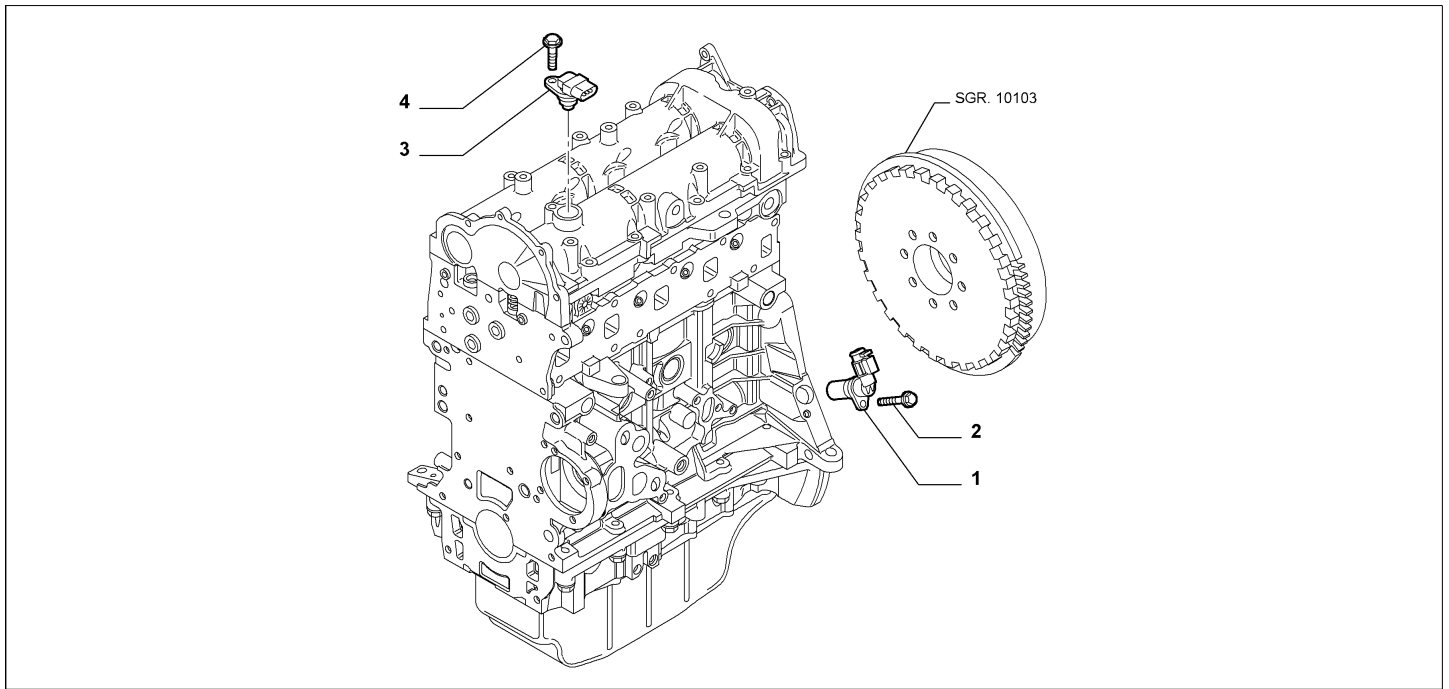
Catalogue	MITO 2011-2013	
Category	3.7 FUEL INJECTION SYSTEM	
Var.	02	1.6D + DIESEL + 120HP
Rev.	00	



Part Num.	Description	Compatibility	Modif.	Qty	Notes	Col.	Reman.
1	55215208	HYDRAULIC ACCU_MULATOR		01			
2	55218920	PIPE, CYL 4		01			
3	55218921	PIPE, CYL 3		01			
4	55218924	PIPE, CYL 2		01			
5	55218923	PIPE, CYL 1		01			
6	55218927	PIPE		01			
7	55206704	INJECTOR		04			71724537
8	46518716	SEAL GASKET		04			
9	55248609	BRACKET		04			
10	46797060	PLANE WASHER		04			
11	55280320	STUD, M8X16-57		04			
12	55192175	NUT		04			
13	55269856	PIPE		01			
14	16287234	SCREW, M8X30		02			
15	55207677	SENSOR		01			
16	55214984	BRACKET		01			
17	55238611	DAMPER		4			

Legend	
1.6D	HORSE POWER (MARKET):1598
DIESEL	FUEL:DIESEL
120HP	POWER:1.6 JTD EURO5 -1.4 FIRE TRB EURO4 120CV

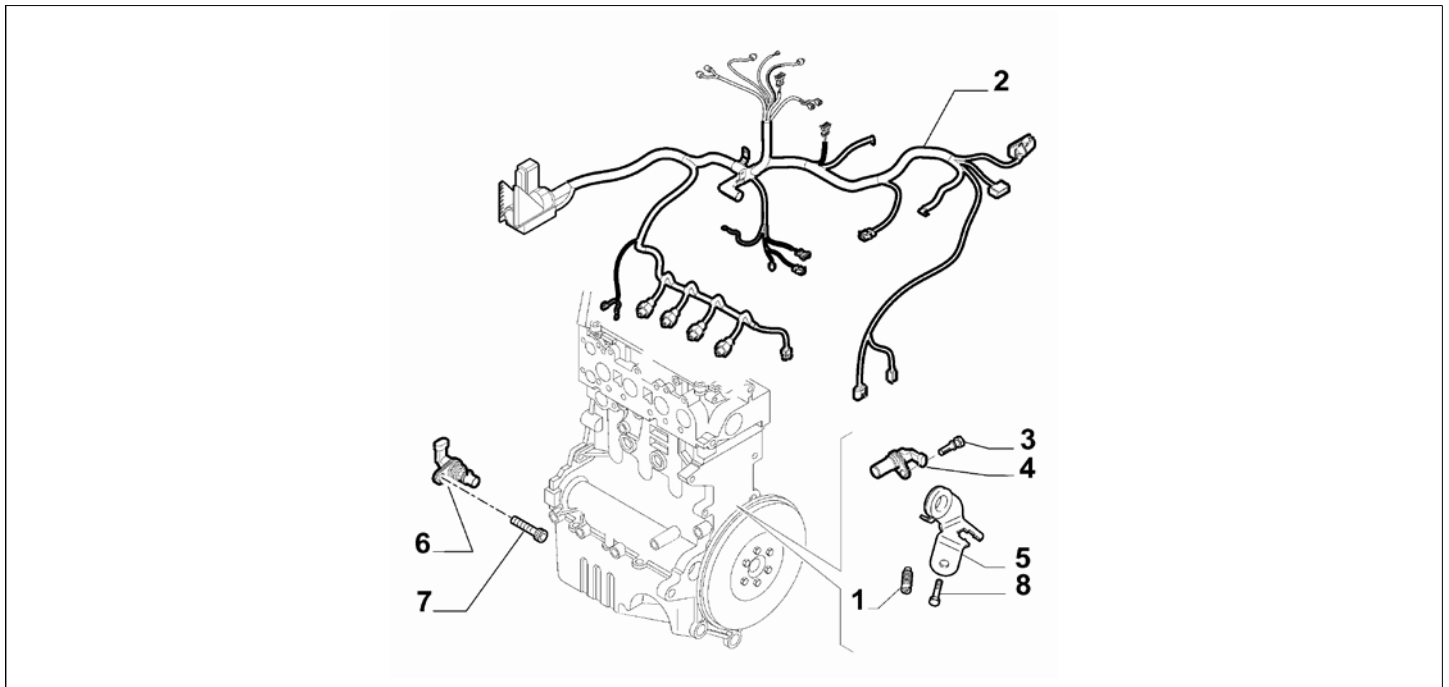
Catalogue	MITO 2011-2013	
Category	3.7 FUEL INJECTION SYSTEM	
Var.	01	1.3D + DIESEL + (95HP, 85HP) + EURO5
Rev.	00	



Part Num.	Description	Compatibility	Modif.	Qty	Notes	Col.	Reman.
1	73502752 SENSOR			01			
2	55189543 SCREW AND WASHER ASSY, M6X20			01			
3	55216241 SENSOR			01			
4	55192180 SCREW, M6X18			01			

Legend	
1.3D	HORSE POWER (MARKET):1.3
DIESEL	FUEL:DIESEL
EURO5	ECOLOGY:LIM.ECC PHASE 5
85HP	POWER:1.3 SDE 85HP EURO5
95HP	POWER:1.3 SDE 95HP EURO5

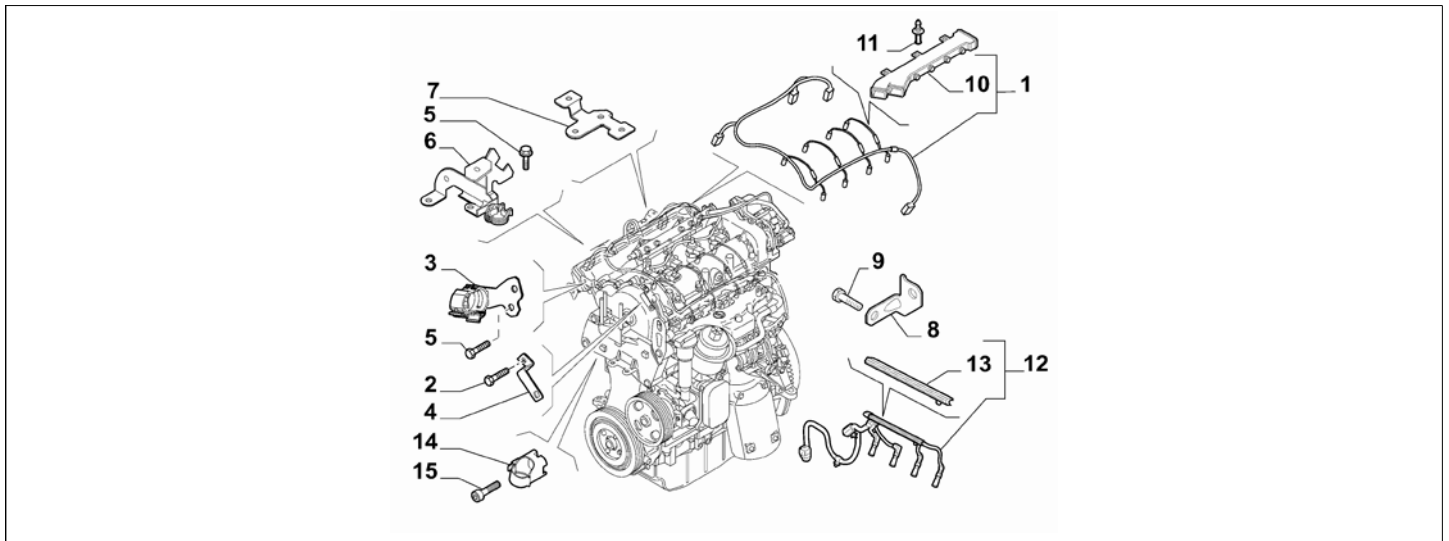
Catalogue	MITO 2011-2013	
Category	3.7 FUEL INJECTION SYSTEM	
Var.	02	1.6D
Rev.	00	



Part Num.	Description	Compatibility	Modif.	Qty	Notes	Col.	Reman.
1	55265046 DOWEL			01			
2	55233790 CABLE HARNESS	s/s		01			
3	11577524 SCREW AND WASHER ASSY, M6X16			01			
4	46798345 SENDING UNIT			01			
5	55355415 BRACKET			01			
6	55216242 SENDING UNIT			01			
7	16297024 SCREW			01			
8	16288321 SCREW			01			

Legend	
S/S	STOP&START
1.6D	HORSE POWER (MARKET):1598

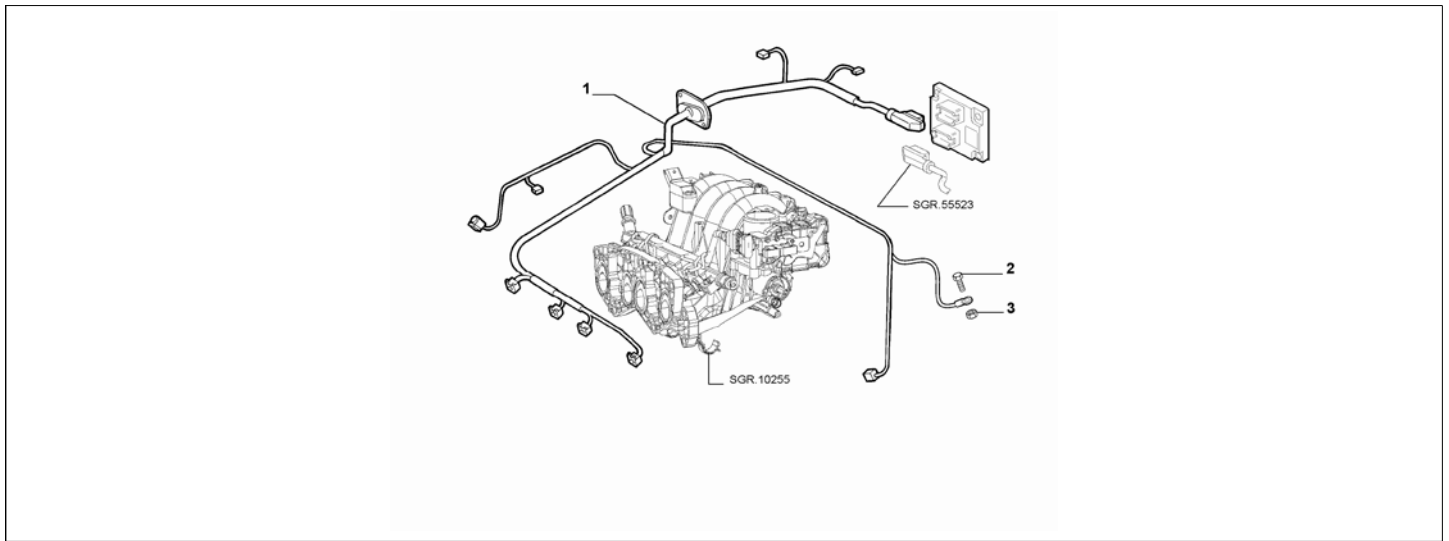
Catalogue	MITO 2011-2013	
Category	3.7 FUEL INJECTION SYSTEM	
Var.	01	1.3D + DIESEL + (95HP, 85HP) + EURO5
Rev.	00	



Part Num.	Description	Compatibility	Modif.	Qty	Notes	Col.	Reman.
1	55230352	CABLE HARNESS	166M		01		
1	55235408	CABLE HARNESS	66M		01		
2	55189543	SCREW AND WASHER ASSY, M6X20			01		
3	55204617	BRACKET			01		
4	55218421	BRACKET			01		
5	16296921	SCREW, M6X14			05		
6	55204617	BRACKET			01		
7	55180291	BRACKET			01		
8	55186149	BRACKET			01		
9	16287024	SCREW			01		
10	55227186	GLASS RUN			01		
11	55212604	PIN			02		
12	55228210	CABLE HARNESS			01		
13	55227108	GLASS RUN			01		
14	51822011	BRACKET			01		
15	16296921	SCREW			01		

Legend	
66M	ECO KIT 2
1.3D	HORSE POWER (MARKET):1.3
DIESEL	FUEL:DIESEL
EURO5	ECOLOGY:LIM.ECC PHASE 5
85HP	POWER:1.3 SDE 85HP EURO5
95HP	POWER:1.3 SDE 95HP EURO5

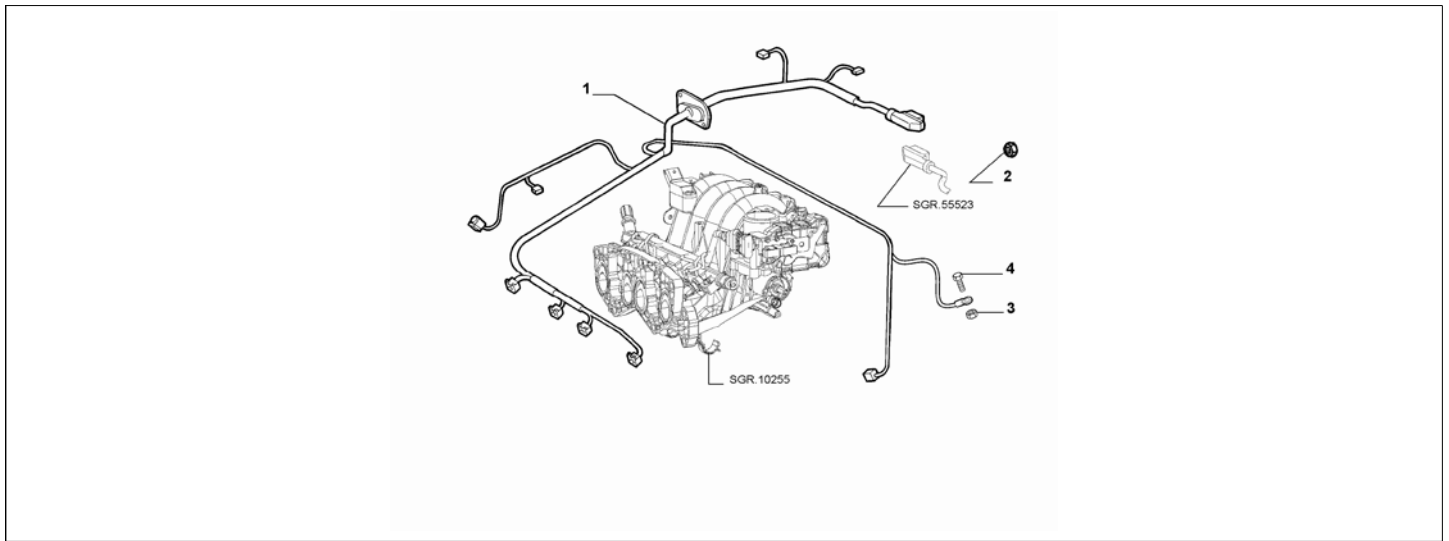
Catalogue	MITO 2011-2013	
Category	3.7 FUEL INJECTION SYSTEM	
Var.	02	1.4 + 8V + PETROL
Rev.	00	



Part Num.	Description	Compatibility	Modif.	Qty	Notes	Col.	Reman.
1	55230802	CABLE HARNESS	1025, 1140	1			
1	55230801	CABLE HARNESS	025, 140	1			
2	11617324	SCREW AND WASHERASSY		1			
3	14118611	NUT, M5		1			

Legend	
025	AIR CONDITIONER 1
140	CLIMATE CONTROL 2
1.4	HORSE POWER (MARKET):1370
PETROL	FUEL:PETROL
8V	TOTAL NUMBER OF VALVES:8 VALVES

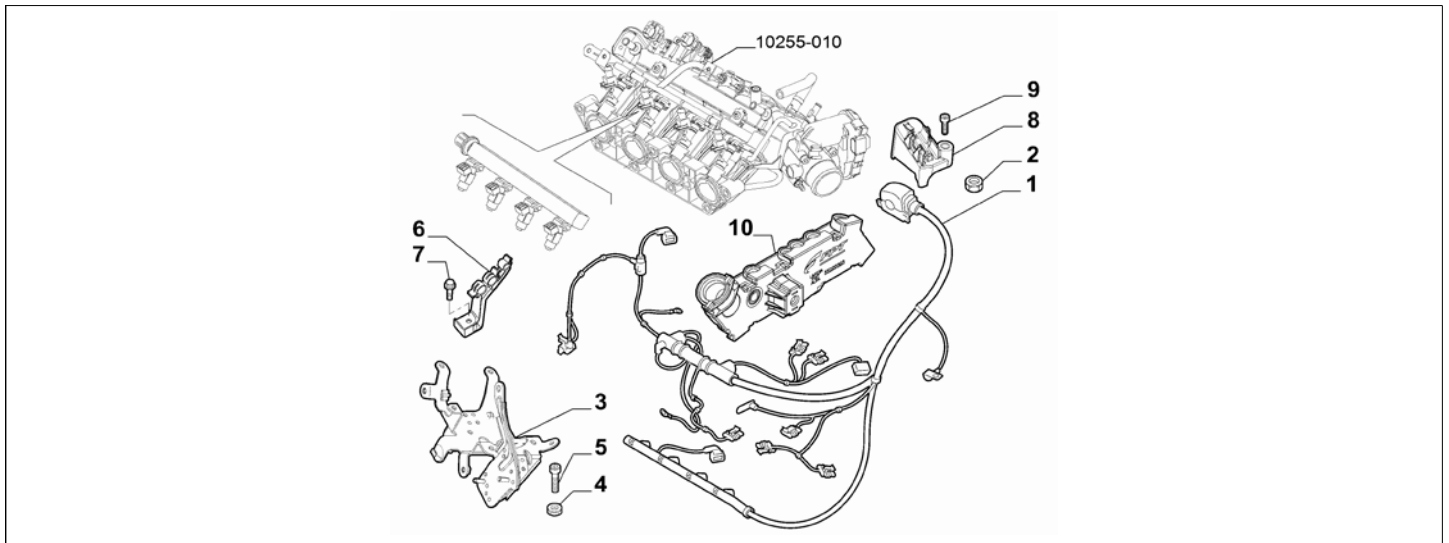
Catalogue	MITO 2011-2013	
Category	3.7 FUEL INJECTION SYSTEM	
Var.	03	1.4 + 16V + PETROL + EURO5 + (78HP, 105HP)
Rev.	00	



Part Num.	Description	Compatibility	Modif.	Qty	Notes	Col.	Reman.
1	55223882	CABLE HARNESS	78HP		1		
1	55228655	CABLE HARNESS	105HP		1		
2	13046118	NUT, M6			2		
3	14118611	NUT, M5			1		
4	11617324	SCREW AND WASHER ASSY			1		

Legend	
1.4	HORSE POWER (MARKET):1370
PETROL	FUEL:PETROL
EURO5	ECOLOGY:LIM.ECC PHASE 5
78HP	POWER:1.4 FIRE 8V/16V 78HP EURO5
105HP	POWER:1.4 FIRE 16V MULTIAIR 105HP (EURO 5)
16V	TOTAL NUMBER OF VALVES:16 VALVES

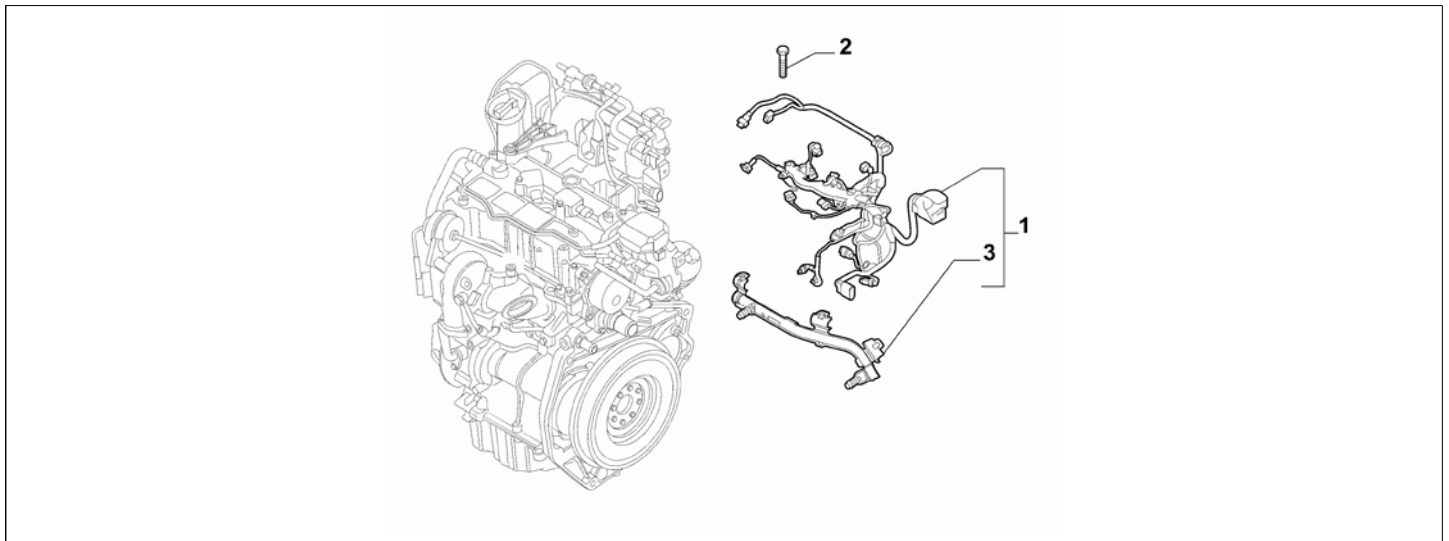
Catalogue	MITO 2011-2013	
Category	3.7 FUEL INJECTION SYSTEM	
Var.	04	1.4 + TURBO + (120HP, 135HP, 170HP)
Rev.	00	



Part Num.	Description	Compatibility	Modif.	Qty	Notes	Col.	Reman.
1	55238471	CABLE HARNESS	120HP+166V		1		
1	55249162	CABLE HARNESS	120HP+66V		1		
1	55240340	CABLE HARNESS	135HP, 170HP		1		
2	13046118	NUT			4		
3	55223399	BRACKET	120HP		1		
3	55217477	BRACKET	135HP, 170HP		1		
4	55192174	NUT			5		
5	55206778	SCREW, M6			1		
6	51794477	CLIP			1		
7	46826206	SCREW			1		
8	55249172	SUPPORT	120HP+66V		1		
9	18751724	SCREW, M6X32			1		
10	55222393	SHIELD	135HP, 170HP		1		

Legend	
66V	PROVISION FOR LPG FRANCE
TURBO	(ASPIRATED/TURBO):TURBO
1.4	HORSE POWER (MARKET):1370
170HP	POWER:1.4 FIRE 16V TURBO MULTIAIR 170HP EURO 5
120HP	POWER:1.6 JTD EURO5 -1.4 FIRE TRB EURO4 120CV
135HP	POWER:1.4 FIRE 16V TURBO MULTIAIR 135 HP EURO 5

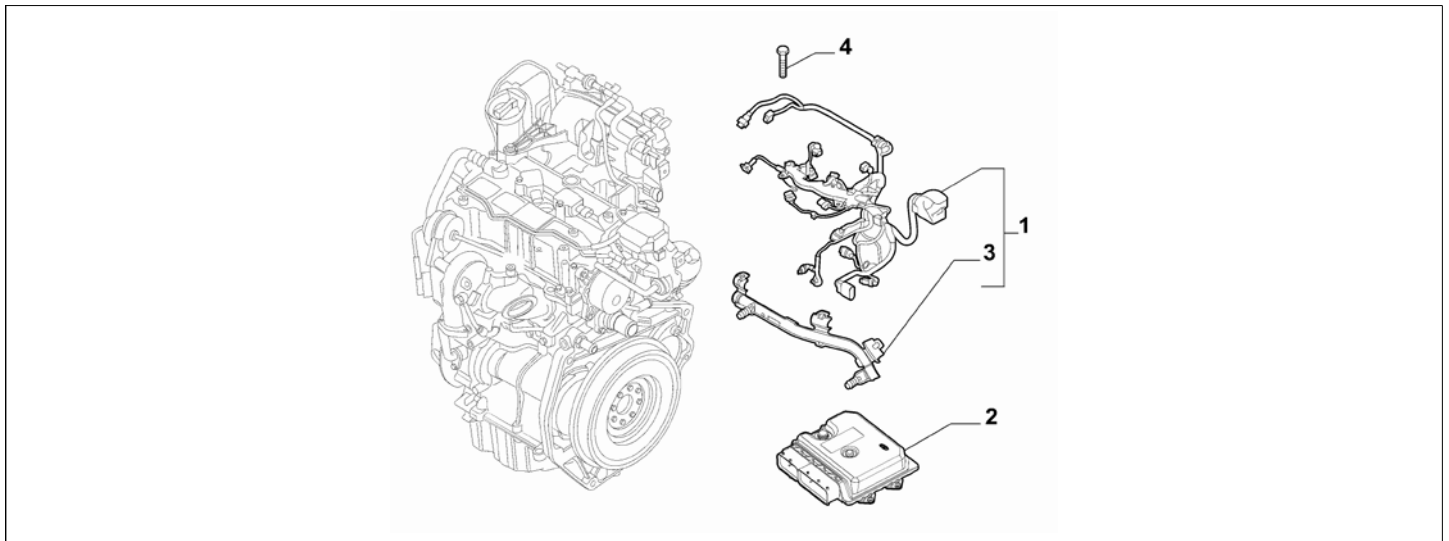
Catalogue	MITO 2011-2013	
Category	3.7 FUEL INJECTION SYSTEM	
Var.	05	875CC + 85HP + TURBO + PETROL
Rev.	00	



Part Num.	Description	Compatibility	Modif.	Qty	Notes	Col.	Reman.
1	55246304 CABLE HARNESS	025		1			
1	55246305 CABLE HARNESS	!025		1			
2	16286024 SCREW			2			
2	18751621 SCREW			1			
3	55226996 GLASS RUN			1			

Legend	
025	AIR CONDITIONER 1
TURBO	(ASPIRATED/TURBO):TURBO
875CC	HORSE POWER (MARKET):875
PETROL	FUEL:PETROL
85HP	POWER:1.3 SDE 85HP EURO5

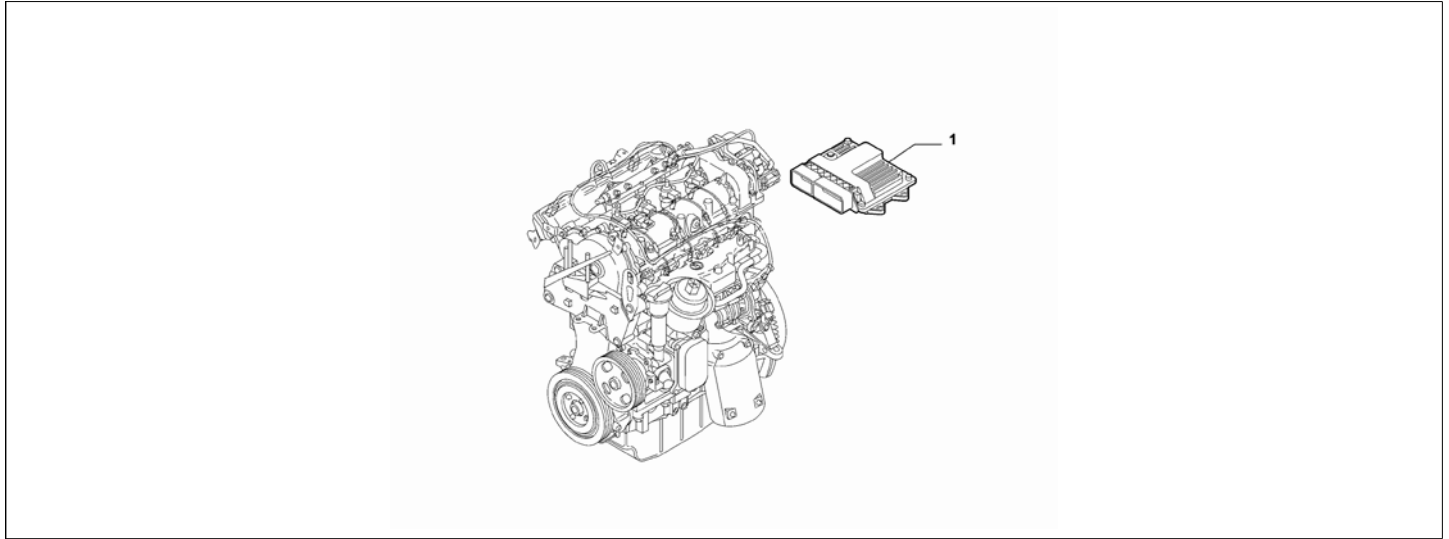
Catalogue	MITO 2011-2013	
Category	3.7 FUEL INJECTION SYSTEM	
Var.	01	875CC + 85HP + TURBO + PETROL
Rev.	00	



Part Num.	Description	Compatibility	Modif.	Qty	Notes	Col.	Reman.
1	55246304	CABLE HARNESS	025		1		
1	55246305	CABLE HARNESS	!025		1		
2	51903132	INJECTION CTRLUNITS		C16215	1		
2	51935080	INJECTION CTRLUNITS		D16215	1		
3	55226996	GLASS RUN			1		
4	16286024	SCREW			2		
4	18751621	SCREW			1		

Legend	
025	AIR CONDITIONER 1
TURBO	(ASPIRATED/TURBO):TURBO
875CC	HORSE POWER (MARKET):875
PETROL	FUEL:PETROL
85HP	POWER:1.3 SDE 85HP EURO5
16215	new injection control unit [DAT 27/09/2012]

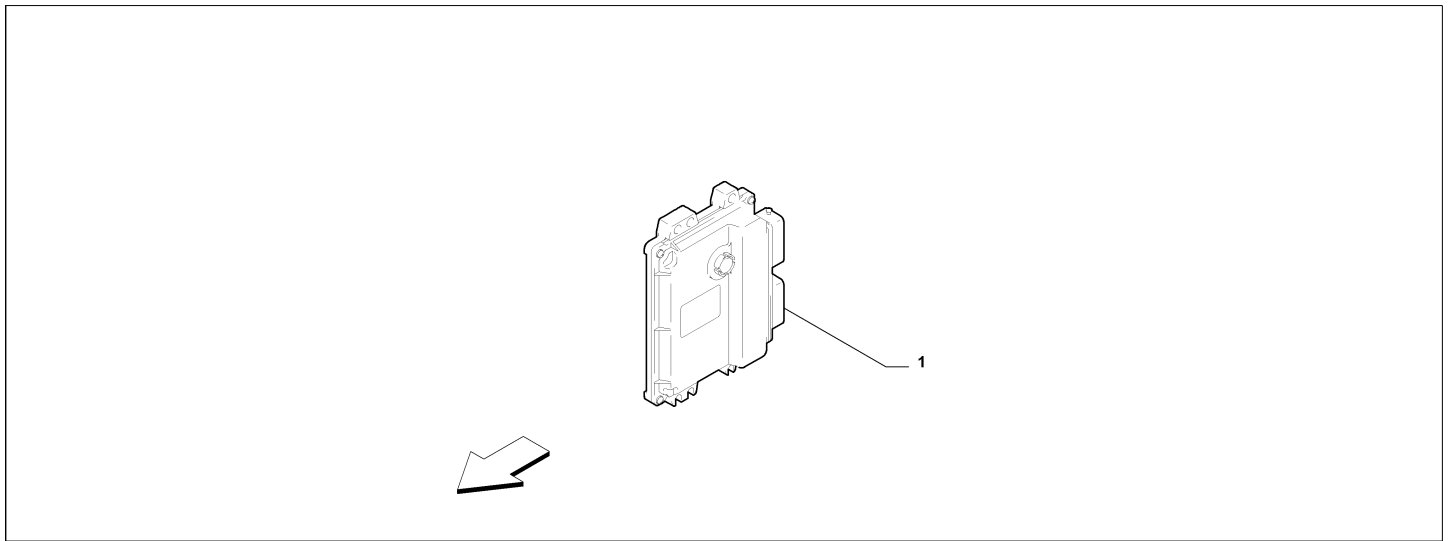
Catalogue	MITO 2011-2013	
Category	3.7 FUEL INJECTION SYSTEM	
Var.	01	1.3D + DIESEL + (95HP, 85HP) + EURO5
Rev.	00	



Part Num.	Description	Compatibility	Modif.	Qty	Notes	Col.	Reman.
1	51892329	INJECTION CTRLUNITS	!5KQ+95HP	C16441	1		
1	55249913	INJECTION CTRLUNITS	!5KQ+95HP	D16441	1		
1	51892330	INJECTION CTRLUNITS	5KQ+95HP		1		
1	55245011	INJECTION CTRLUNITS	66M+85HP	C16626	1		
1	55249204	INJECTION CTRLUNITS	66M+85HP	D16626	1		
1	51904064	INJECTION CTRLUNITS	!66M+85HP		1		

Legend	
5KQ	ECO KIT 1
66M	ECO KIT 2
1.3D	HORSE POWER (MARKET):1.3
DIESEL	FUEL:DIESEL
EURO5	ECOLOGY:LIM.ECC PHASE 5
85HP	POWER:1.3 SDE 85HP EURO5
95HP	POWER:1.3 SDE 95HP EURO5
16441	New engine control module [DAT 14/11/2012]
16626	new injection control unit [DAT 12/12/2012]

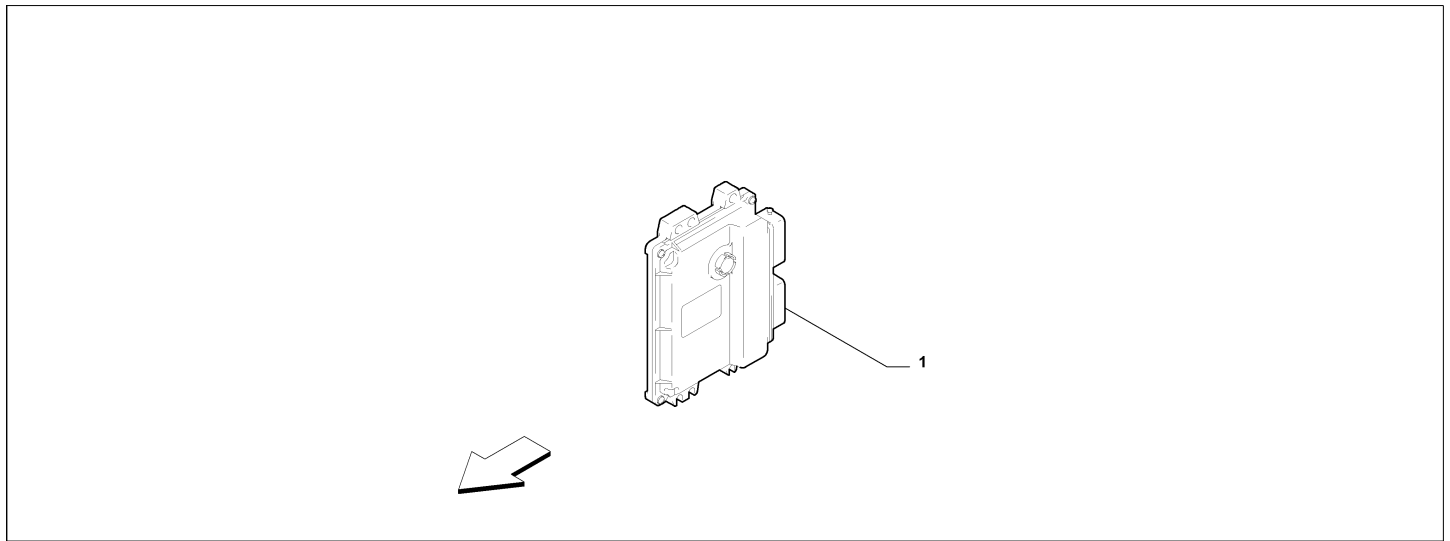
Catalogue	MITO 2011-2013	
Category	3.7 FUEL INJECTION SYSTEM	
Var.	02	1.6D + DIESEL + 120HP
Rev.	00	



Part Num.	Description	Compatibility	Modif.	Qty	Notes	Col.	Reman.
1	51888605 INJECTION CTRLUNITS	1059		1			
1	51888609 INJECTION CTRLUNITS	059		1			

Legend	
059	SPECIFIC CALIBRATION CONTROL UNIT
1.6D	HORSE POWER (MARKET):1598
DIESEL	FUEL:DIESEL
120HP	POWER:1.6 JTD EURO5 -1.4 FIRE TRB EURO4 120CV

Catalogue	MITO 2011-2013	
Category	3.7 FUEL INJECTION SYSTEM	
Var.	03	1.4
Rev.	00	

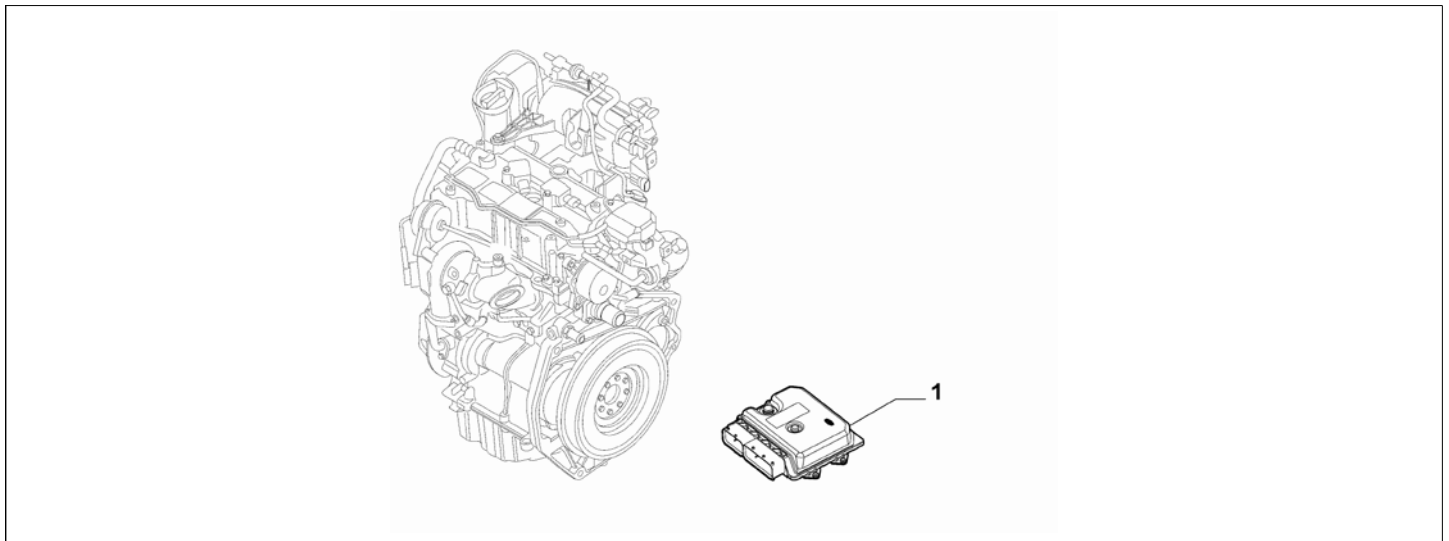


Part Num.	Description	Compatibility	Modif.	Qty	Notes	Col.	Reman.
1	51910513	INJECTION CTRLUNITS 8V+70HP		1			
1	51891831	INJECTION CTRLUNITS, Repl. from 51903140		1	9550/03544		
1	51903140	INJECTION CTRLUNITS, repl. 51891831		1	9550/03544		
1	51854161	INJECTION CTRLUNITS 16V+78HP+1193+I4XD+5SE		1			
1	51830585	INJECTION CTRLUNITS 16V+78HP+1193+4XD		1			
1	51880177	INJECTION CTRLUNITS, REPL.BY 51910511		1	9550/03699		
1	51910511	INJECTION CTRLUNITS, REPL.51880177	C15854	1	9550/03699		
1	51926677	INJECTION CTRLUNITS 16V+105HP	D15854	1			
1	51864444	INJECTION CTRLUNITS 16V+120HP		1			
1	51896478	INJECTION CTRLUNITS, REPL.BY 51896479		1	9550/03882		
1	51896479	INJECTION CTRLUNITS, REPL.51896478		1	9550/03882		
1	51875963	INJECTION CTRLUNITS, REPL.BY 51910512		1	9550/03699		
1	51910512	INJECTION CTRLUNITS, REPL.51875963	C15992	1	9550/03699		
1	51926693	INJECTION CTRLUNITS 16V+135HP+ITCT	D15992	1			
1	51886075	INJECTION CTRLUNITS, REPL.BY 51910507		1	9550/03631		
1	51910507	INJECTION CTRLUNITS, REPL.51886075 - REPL.BY 51910515		1	9550/03631 - 9550/03720		
1	51910515	INJECTION CTRLUNITS 16V+135HP+TCT	C15577	1			
1	51918338	INJECTION CTRLUNITS 16V+135HP+TCT	D15577, C15992	1			
1	51926694	INJECTION CTRLUNITS 16V+135HP+TCT	D15992	1			
1	51833385	INJECTION CTRLUNITS, REPL.BY 51910508		1	9550/03631		
1	51910508	INJECTION CTRLUNITS, REPL.51833385 - REPL.BY 51910516		1	9550/03631 - 9550/03720		
1	51910516	INJECTION CTRLUNITS 16V+135HP+TCT+193	C15577	1			

1	51918340	INJECTION CTRLUNITS	16V+135HP+TCT+193	D15577	1		
1	51903128	INJECTION CTRLUNITS	16V+135HP+TCT+AM47		1		
1	51886074	INJECTION CTRLUNITS, REPL.BY 51896756	16V+135HP+AM26+TCT		1	9550/03209	
1	51896756	INJECTION CTRLUNITS, REPL.51886074 - REPL. FROM 51910514	16V+135HP+AM26+TCT		1	9550/03209 - 9550/03720	
1	51910514	INJECTION CTRLUNITS	16V+135HP+AM26+TCT	C15577	1		
1	51918339	INJECTION CTRLUNITS	16V+135HP+AM26+TCT	D15577	1		
1	51891837	INJECTION CTRLUNITS	16V+170HP		1		
1	51886077	INJECTION CTRLUNITS	16V+170HP+059		1		
1	51886073	INJECTION CTRLUNITS	16V+170HP+AM26		1		
1	51903127	INJECTION CTRLUNITS	16V+170HP+AM47+1193+15SF		1		
1	51875961	INJECTION CTRLUNITS	16V+170HP+193	C15992	1		
1	51926695	INJECTION CTRLUNITS	16V+170HP+193	D15992	1		

Legend	
059	SPECIFIC CALIBRATION CONTROL UNIT
193	EOBD WARNING LIGHT CUT-OUT
TCT	SPECIFIC GEARBOX
LPG	LPG POWER SUPPLY (ITALY STANDARD)
4XD	ENGINE POWERING
5SE	EURO 5
5SF	SPECIFIC FOR SASO MARKET
AM26	MARKET VERSION:JAPAN
AM47	MARKET VERSION:MEXICO
1.4	HORSE POWER (MARKET):1370
170HP	POWER:1.4 FIRE 16V TURBO MULTIAIR 170HP EURO 5
70HP	POWER:1.4 FIRE 8V 70HP EURO5
78HP	POWER:1.4 FIRE 8V/16V 78HP EURO5
105HP	POWER:1.4 FIRE 16V MULTIAIR 105HP (EURO 5)
120HP	POWER:1.6 JTD EURO5 -1.4 FIRE TRB EURO4 120CV
135HP	POWER:1.4 FIRE 16V TURBO MULTIAIR 135 HP EURO 5
16V	TOTAL NUMBER OF VALVES:16 VALVES
8V	TOTAL NUMBER OF VALVES:8 VALVES
15577	New gearbox with control unit and new engine management control units [DAT 25/10/2011, TEL 1179814]
15854	Control unit with new software [DAT 15/07/2012]
15992	Control units with new software [DAT 01/08/2012]

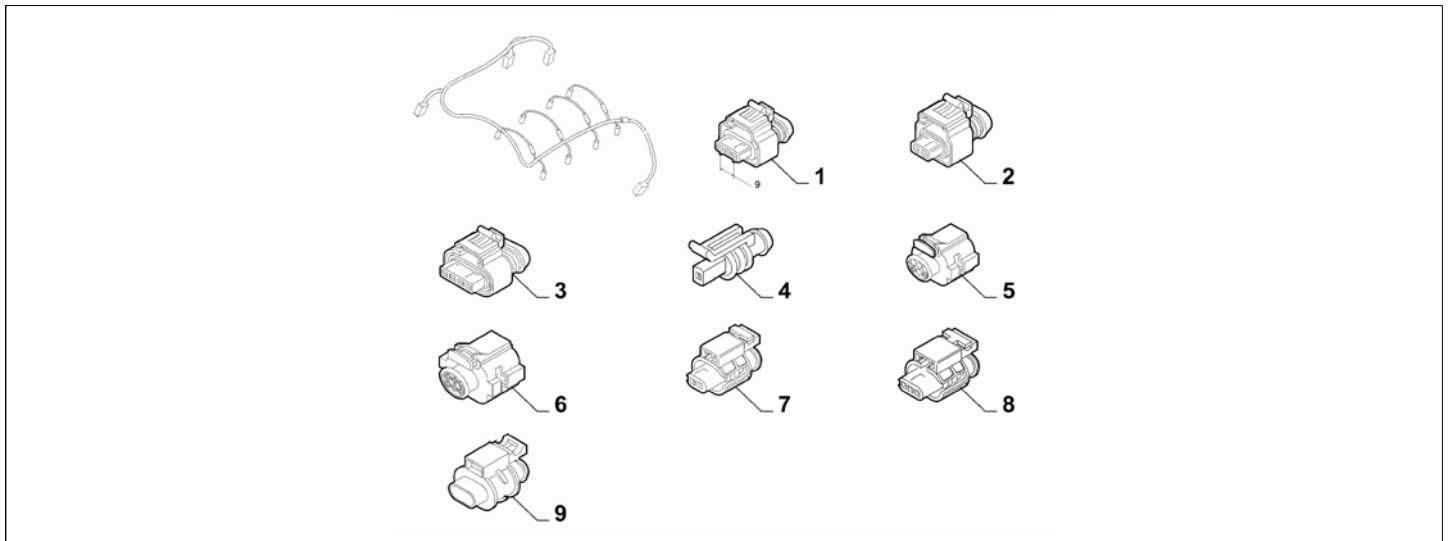
Catalogue	MITO 2011-2013	
Category	3.7 FUEL INJECTION SYSTEM	
Var.	04	875CC + 85HP + TURBO + PETROL
Rev.	00	



Part Num.	Description	Compatibility	Modif.	Qty	Notes	Col.	Reman.
1	51903132 INJECTION CTRLUNITS			1			
1	51935080 INJECTION CTRLUNITS			1			

Legend	
TURBO	(ASPIRATED/TURBO):TURBO
875CC	HORSE POWER (MARKET):875
PETROL	FUEL:PETROL
85HP	POWER:1.3 SDE 85HP EURO5

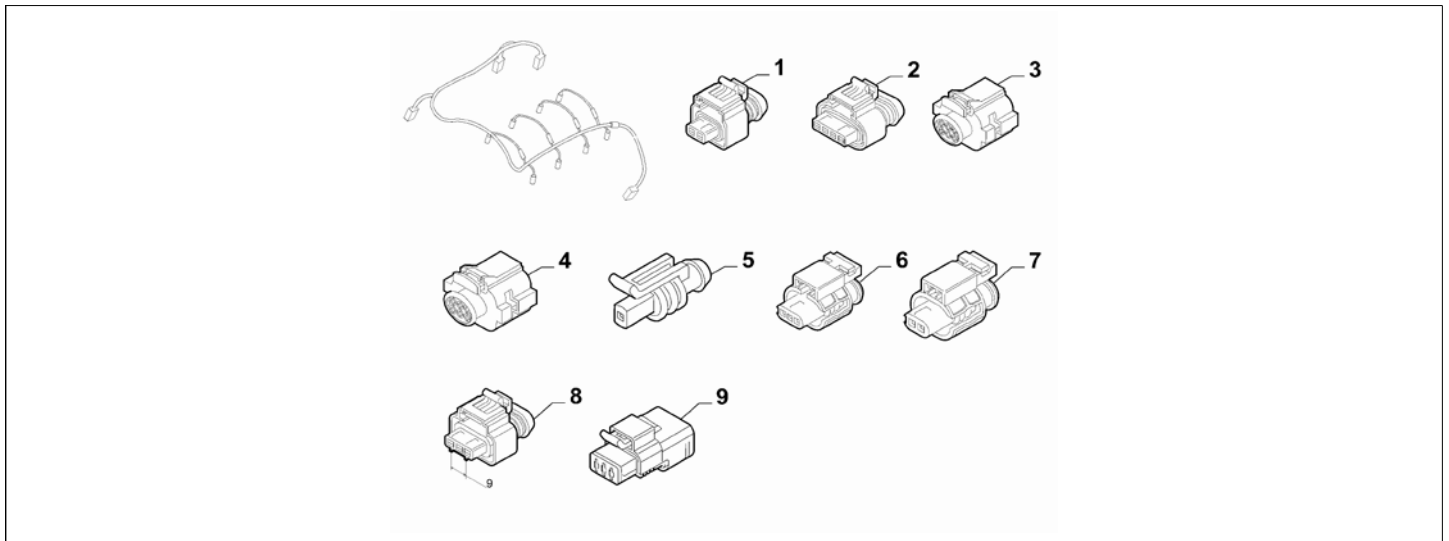
Catalogue	MITO 2011-2013	
Category	3.7 FUEL INJECTION SYSTEM	
Var.	01	1.3D + DIESEL + (95HP, 85HP) + EURO5
Rev.	00	



Part Num.	Description	Compatibility	Modif.	Qty	Notes	Col.	Reman.
1	71749543	CONNECTOR KIT		01			
2	71749541	CONNECTOR KIT	!66M	07			
2	71749541	CONNECTOR KIT	66M	08			
3	71749544	CONNECTOR KIT	!66M	01			
3	71749544	CONNECTOR KIT	66M	02			
4	71749527	CONNECTOR KIT	!66M	01			
5	71749548	CONNECTOR KIT		01			
6	71749549	CONNECTOR KIT		01			
7	71749545	CONNECTOR KIT		01			
8	71749546	CONNECTOR KIT	!66M	01			
9	71752816	CONNECTOR KIT	66M	01			

Legend	
66M	ECO KIT 2
1.3D	HORSE POWER (MARKET):1.3
DIESEL	FUEL:DIESEL
EURO5	ECOLOGY:LIM.ECC PHASE 5
85HP	POWER:1.3 SDE 85HP EURO5
95HP	POWER:1.3 SDE 95HP EURO5

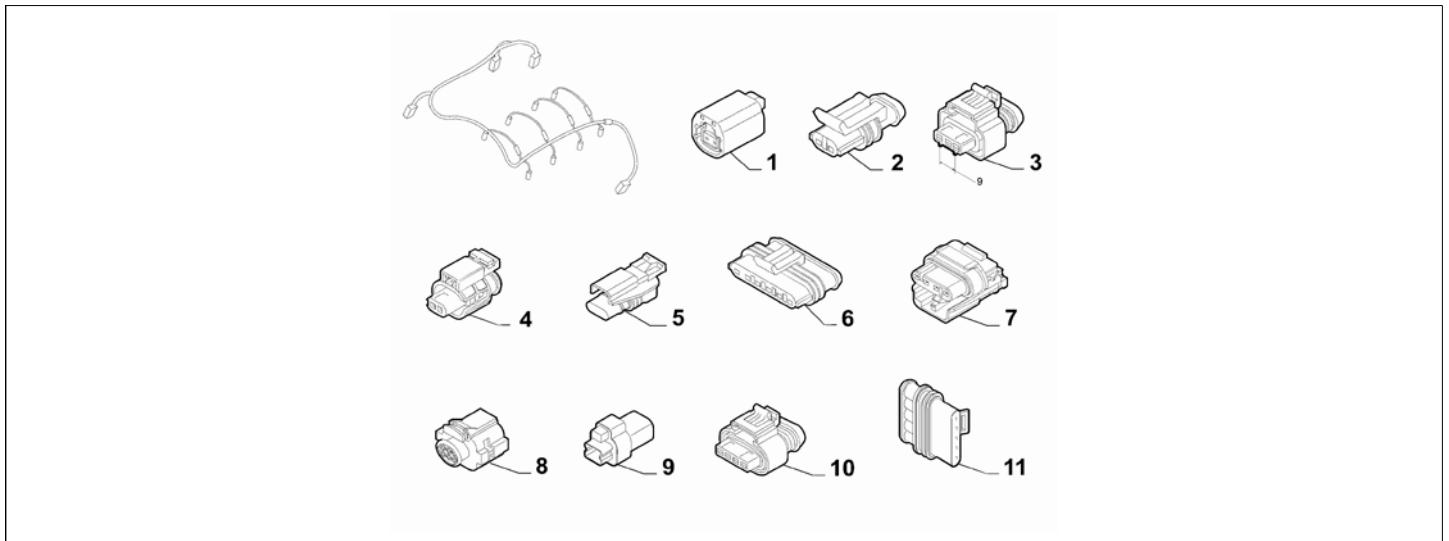
Catalogue	MITO 2011-2013	
Category	3.7 FUEL INJECTION SYSTEM	
Var.	02	1.6D + DIESEL + 120HP
Rev.	00	



Part Num.	Description	Compatibility	Modif.	Qty	Notes	Col.	Reman.
1	71749541	CONNECTOR KIT, FOR INJECTOR		4			
1	71749541	CONNECTOR KIT, FUEL PRESSURE REGULATOR		1			
1	71749541	CONNECTOR KIT, EGR cooling by pass		1			
1	71749541	CONNECTOR KIT, ENGINE COOLANT TEMPERATURE SENSOR		1			
2	71749544	CONNECTOR KIT, TURBO PRESSURE AND AIR TEMPERATURE SENSOR		1			
3	71749548	CONNECTOR KIT, EGR SOLENOID VALVE		1			
4	71749549	CONNECTOR KIT, THROTTLE SOLENOID VALVE		1			
5	71749527	CONNECTOR KIT, OIL PRESSURE SWITCH		1			
6	71749546	CONNECTOR KIT, PHASE SENSOR		1			
7	71749545	CONNECTOR KIT, ENGINE RPM SENSOR		1			
8	71749543	CONNECTOR KIT, VGT POSITION SENSOR		1			
9	71774242	CONNECTOR KIT, ENGINE OIL LEVEL SENSOR		1			

Legend	
1.6D	HORSE POWER (MARKET):1598
DIESEL	FUEL:DIESEL
120HP	POWER:1.6 JTD EURO5 -1.4 FIRE TRB EURO4 120CV

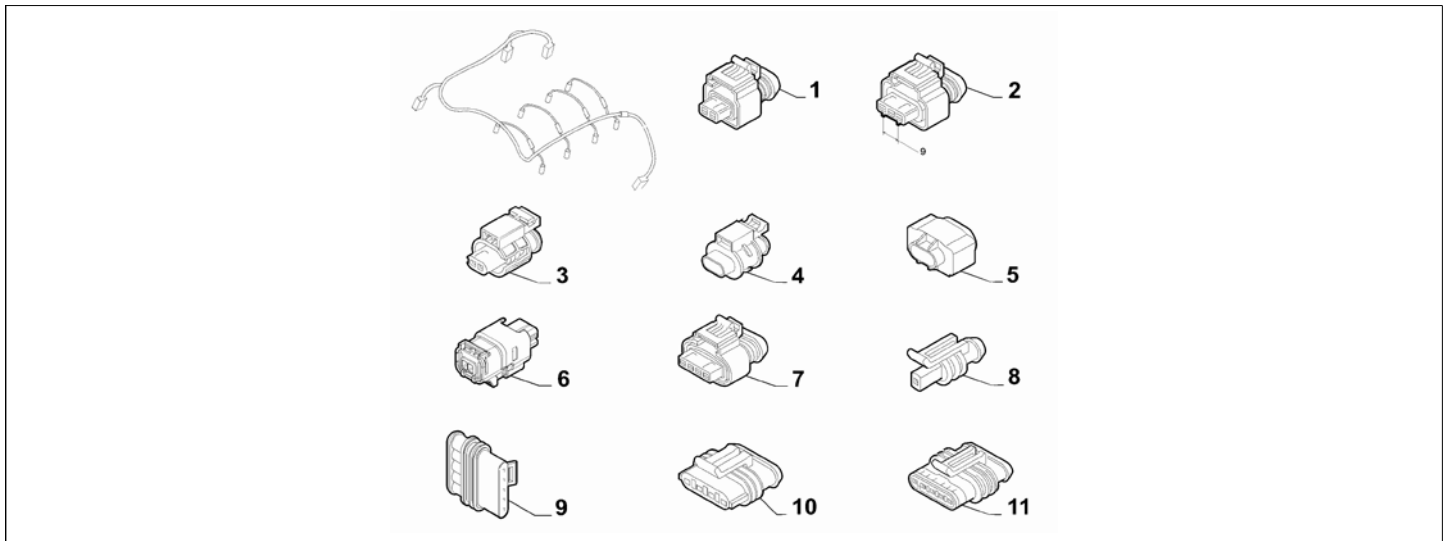
Catalogue	MITO 2011-2013	
Category	3.7 FUEL INJECTION SYSTEM	
Var.	03	1.4 + PETROL + 8V
Rev.	00	



Part Num.	Description	Compatibility	Modif.	Qty	Notes	Col.	Reman.
1	71753273	CONNECTOR KIT, KNOCK SENSOR		1			
2	71774003	CONNECTION, CANISTER SOLENOID VALVE		1			
3	71749543	CONNECTOR KIT, PHASE SENSOR		1			
4	71749545	CONNECTOR KIT, PHASE VARIATOR		1			
4	71749545	CONNECTOR KIT, ENGINE RPM SENSOR		1			
5	71774042	CONNECTOR KIT, CATALYTIC CONVERTER UPSTREAM AND DOWNSTREAM LAMBDA SENSORS		2			
6	71774014	CONNECTOR KIT, IGNITION COIL		1			
7	71774111	CONNECTOR KIT, OXYGEN SENSOR UPSTREAM OF CATALYTIC CONVERTER		1			
8	71749549	CONNECTOR KIT, MOTORIZED THROTTLE ACTUATOR		1			
9	71771941	CONNECTOR KIT, ENGINE COOLANT TEMPERATURE SENSOR		1			
10	71749544	CONNECTOR KIT, ABSOLUTE PRESSURE + AIR TEMPERATURE SENSOR		1			
11	71774040	CONNECTOR KIT, DIESEL FILTER		1			

Legend	
1.4	HORSE POWER (MARKET):1370
PETROL	FUEL:PETROL
8V	TOTAL NUMBER OF VALVES:8 VALVES

Catalogue	MITO 2011-2013	
Category	3.7 FUEL INJECTION SYSTEM	
Var.	04	1.4 + PETROL + 16V + (78HP, 105HP)
Rev.	00	

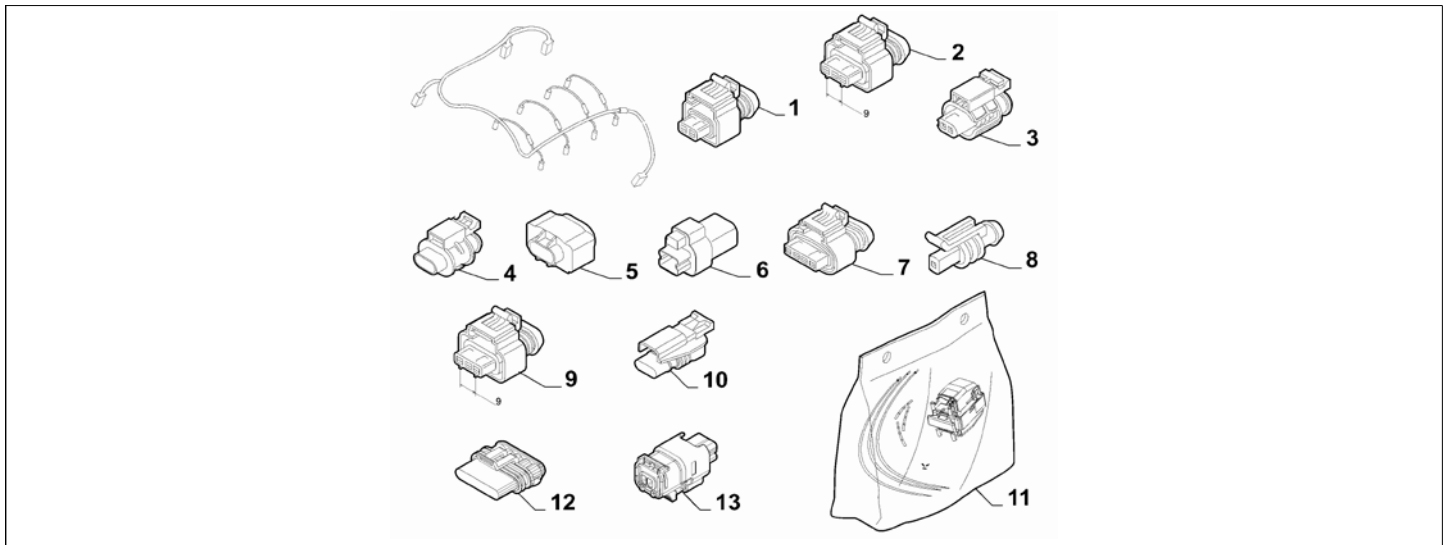


Part Num.	Description	Compatibility	Modif.	Qty	Notes	Col.	Reman.
1	71749541	CONNECTOR KIT, CANISTER SOLENOID VALVE		1			
1	71749541	CONNECTOR KIT, KNOCK SENSOR		1			
1	71749541	CONNECTOR KIT, SLIDER SOLENOID VALVE	78HP	1			
1	71749541	CONNECTOR KIT, SENSORE SLIDER	78HP	1			
1	71749541	CONNECTOR KIT, VVA OIL TEMPERATURE SENSOR	105HP	1			
1	71749541	CONNECTOR KIT, 1-2-3-4 UNIAIR VVA ACTUATOR	105HP	4			
2	71749543	CONNECTOR KIT, PHASE SENSOR		1			
3	71749545	CONNECTOR KIT, ENGINE RPM SENSOR	78HP	1			
3	71749545	CONNECTOR KIT, PHASE VARIATOR	78HP	1			
4	71752816	CONNECTOR KIT, IGNITION COIL, CYLINDER 1-2-3-4		4			
5	71752817	CONNECTOR KIT, MOTORIZED THROTTLE ACTUATOR		1			
6	71771941	CONNECTOR KIT, ENGINE COOLANT TEMPERATURE SENSOR	78HP	1			
7	71749544	CONNECTOR KIT, ABSOLUTE PRESSURE + AIR TEMPERATURE SENSOR		1			
8	71749527	CONNECTOR KIT, ENGINE OIL PRESSURE SENSOR	78HP	1			
9	71774040	CONNECTOR KIT, INJECTOR HARNESS CONNECTION	78HP	1			
9	71749524	CONNECTOR KIT, ENGINE OIL PRESSURE SENSOR	105HP	1			
10	71752809	CONNECTOR KIT, CATALYTIC CONVERTER UPSTREAM	78HP	2			

		AND DOWNSTREAM LAMBDA SENSORS					
11	71774101	CONNECTOR KIT, LPG TANK MULTIVALVE	105HP		1		

Legend	
1.4	HORSE POWER (MARKET):1370
PETROL	FUEL:PETROL
78HP	POWER:1.4 FIRE 8V/16V 78HP EURO5
105HP	POWER:1.4 FIRE 16V MULTIAIR 105HP (EURO 5)
16V	TOTAL NUMBER OF VALVES:16 VALVES

Catalogue	MITO 2011-2013	
Category	3.7 FUEL INJECTION SYSTEM	
Var.	05	1.4 + PETROL + 16V + (120HP, 135HP, 170HP)
Rev.	00	

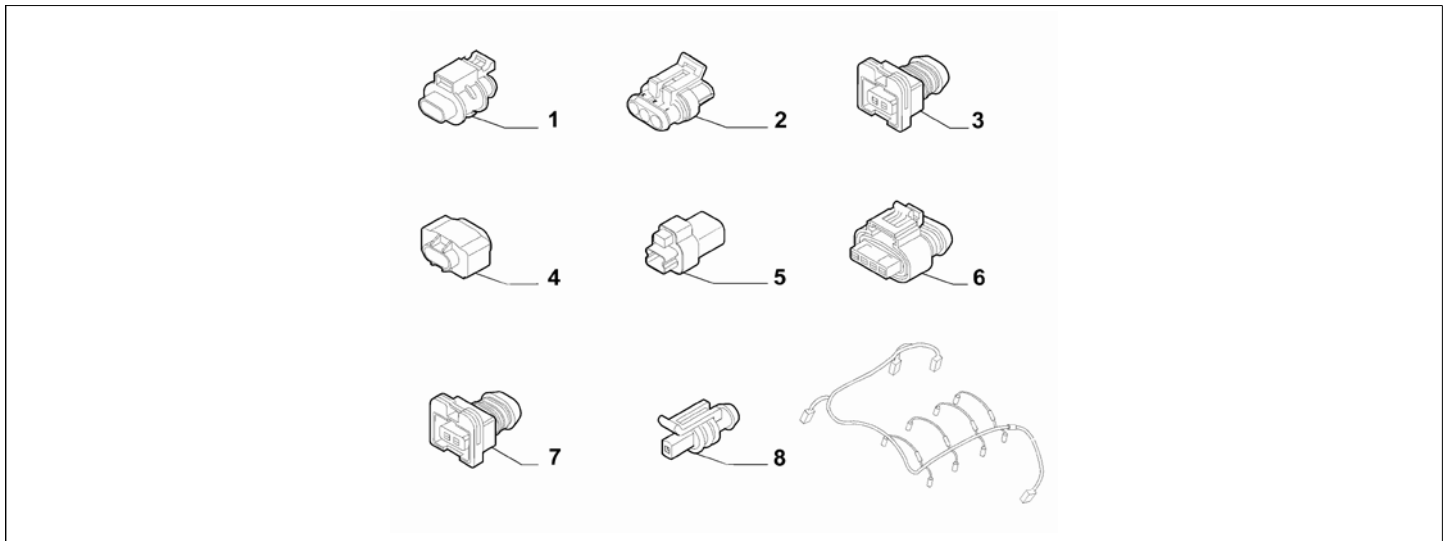


Part Num.	Description	Compatibility	Modif.	Qty	Notes	Col.	Reman.
1	71749541	CONNECTOR KIT, CANISTER SOLENOID VALVE		1			
1	71749541	CONNECTOR KIT, KNOCK SENSOR		1			
1	71749541	CONNECTOR KIT, DUMP SOLENOID VALVE		1			
1	71749541	CONNECTOR KIT, 1-2-3-4 UNIAIR VVA ACTUATOR	135HP, 170HP	4			
1	71749541	CONNECTOR KIT, VVA OIL TEMPERATURE SENSOR	135HP, 170HP	1			
2	71749543	CONNECTOR KIT, PHASE SENSOR		1			
3	71749545	CONNECTOR KIT, ENGINE RPM SENSOR	120HP	1			
4	71752816	CONNECTOR KIT, IGNITION COIL, CYLINDER 1-2-3-4		4			
5	71752817	CONNECTOR KIT, MOTORIZED THROTTLE ACTUATOR		1			
6	71771941	CONNECTOR KIT, ENGINE COOLANT TEMPERATURE SENSOR		1			
7	71749544	CONNECTOR KIT, ABSOLUTE PRESSURE + AIR TEMPERATURE SENSOR		1			
7	71749544	CONNECTOR KIT, GAS TEMPERATURE PRESSURE SENSOR		1			
8	71749524	CONNECTOR KIT, ENGINE OIL PRESSURE SENSOR		1			
9	71749543	CONNECTOR KIT, TURBO PRESSURE SENSOR		1			
10	71774042	CONNECTOR KIT, CATALYTIC CONVERTER UPSTREAM AND DOWNSTREAM LAMBDA SENSORS	120HP	2			
11	71774089	CONNECTOR KIT, DUAL CLUTCH GEARBOX NODE		1			

12	71774101	CONNECTOR KIT, LPG TANK MULTIVALVE			1			
13	71771941	CONNECTOR KIT, WARNING AND MANEUVERING INDICATOR	135HP, 170HP		1			

Legend	
1.4	HORSE POWER (MARKET):1370
PETROL	FUEL:PETROL
170HP	POWER:1.4 FIRE 16V TURBO MULTIAIR 170HP EURO 5
120HP	POWER:1.6 JTD EURO5 -1.4 FIRE TRB EURO4 120CV
135HP	POWER:1.4 FIRE 16V TURBO MULTIAIR 135 HP EURO 5
16V	TOTAL NUMBER OF VALVES:16 VALVES

Catalogue	MITO 2011-2013	
Category	3.7 FUEL INJECTION SYSTEM	
Var.	06	875CC + 85HP + TURBO + PETROL
Rev.	00	



Part Num.	Description	Compatibility	Modif.	Qty	Notes	Col.	Reman.
1	71752816	CONNECTOR KIT, FOR IGNITION COIL		2			
2	71774007	CONNECTION, ADDITIONAL HEADLAMP		1			
3	71749540	CONNECTOR KIT, WASTEGATE SOLENOID VALVE		1			
4	71752817	CONNECTOR KIT, MOTORISED THROTTLE ACTUATOR		1			
5	71771941	CONNECTOR KIT, ENGINE COOLANT TEMPERATURE SENSOR		1			
6	71749544	CONNECTOR KIT, ABSOLUTE PRESSURE + AIR TEMPERATURE SENSOR		1			
7	71749543	CONNECTOR KIT, TURBO PRESSURE SENSOR		1			
8	71749527	CONNECTOR KIT, ENGINE OIL PRESSURE SENSOR		1			

Legend	
TURBO	(ASPIRATED/TURBO):TURBO
875CC	HORSE POWER (MARKET):875
PETROL	FUEL:PETROL
85HP	POWER:1.3 SDE 85HP EURO5