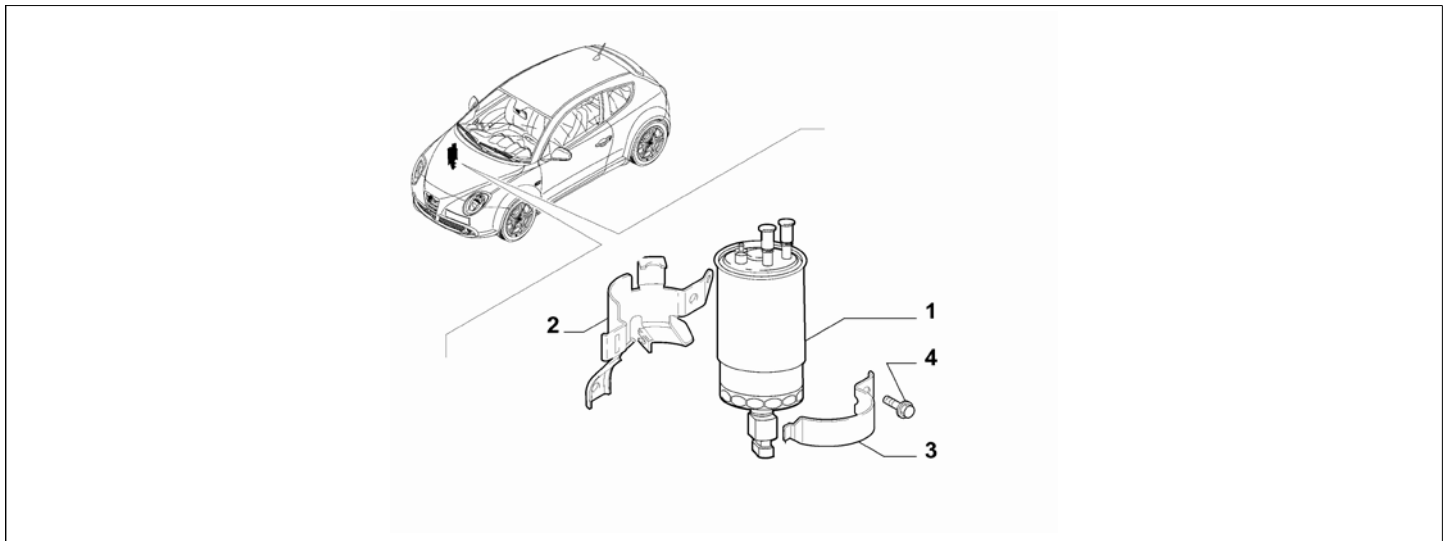


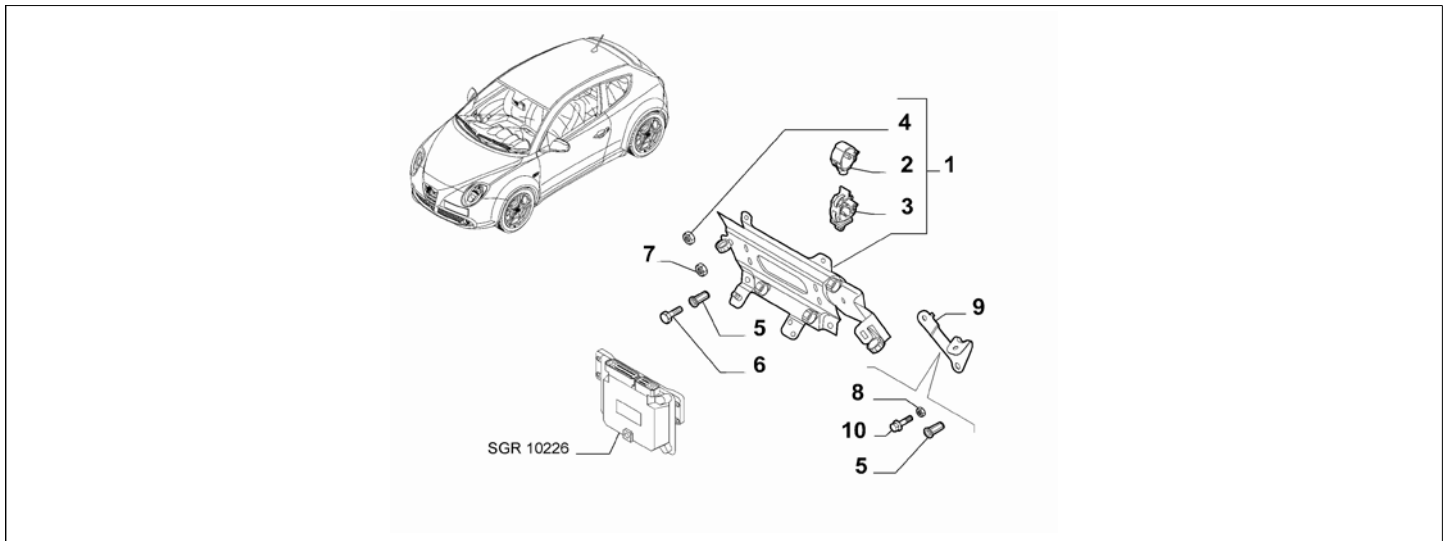
Catalogue	MITO 2011-2013	
Category	3.6 PRE-FILTER	
Var.	01	1.3D, 1.6D
Rev.	00	



Part Num.	Description	Compatibility	Modif.	Qty	Notes	Col.	Reman.
1	60693681 FUEL FILTER			1			
2	55702105 BRACKET			1			
3	55702104 BRACKET			1			
4	16296921 SCREW, M6X14			1			

Legend	
1.3D	HORSE POWER (MARKET):1.3
1.6D	HORSE POWER (MARKET):1598

Catalogue	MITO 2011-2013	
Category	3.6 PRE-FILTER	
Var.	01	
Rev.	00	



Part Num.	Description	Compatibility	Modif.	Qty	Notes	Col.	Reman.
1	50517564	BRACKET	LPG		1		
1	50519485	BRACKET	105HP, 135HP, 170HP		1		
1	51903235	BRACKET	1.3D		1		
1	50519484	BRACKET	1.6D		1		
1	50519484	BRACKET	78HP		1		
1	50519484	BRACKET	16V+78HP, 1.4+16V+120HP+ILPG, 1.4+16V+155HP+ILPG		1		
1	51913758	BRACKET	875CC		1		
2	46517034	CLIP			3		
3	46817858	CLIP	LPG		1		
3	46817858	CLIP	1.3D		1		
4	14084211	NUT, M6			4		
5	15624411	RIVET	875CC, 1.3D		1		
6	16286324	SCREW, M6X30	1.4		2		
6	16286324	SCREW, M6X30	1.6D		2		
7	14084711	NUT, M6	1.4		2		
7	14084711	NUT, M6	1.6D		2		
8	14084211	NUT, M6	875CC, 1.3D		1		
9	51754582	BRACKET	875CC, 1.3D		1		
10	16296921	SCREW, M6X14	875CC, 1.3D		1		

Legend	
LPG	LPG POWER SUPPLY (ITALY STANDARD)
875CC	HORSE POWER (MARKET):875
1.3D	HORSE POWER (MARKET):1.3
1.4	HORSE POWER (MARKET):1370
1.6D	HORSE POWER (MARKET):1598
155HP	POWER:1.4 FIRE 16V TURBO 155HP (EURO 5)
170HP	POWER:1.4 FIRE 16V TURBO MULTIAIR 170HP EURO 5
78HP	POWER:1.4 FIRE 8V/16V 78HP EURO5
105HP	POWER:1.4 FIRE 16V MULTIAIR 105HP (EURO 5)
120HP	POWER:1.6 JTD EURO5 -1.4 FIRE TRB EURO4 120CV
135HP	POWER:1.4 FIRE 16V TURBO MULTIAIR 135 HP EURO 5
16V	TOTAL NUMBER OF VALVES:16 VALVES