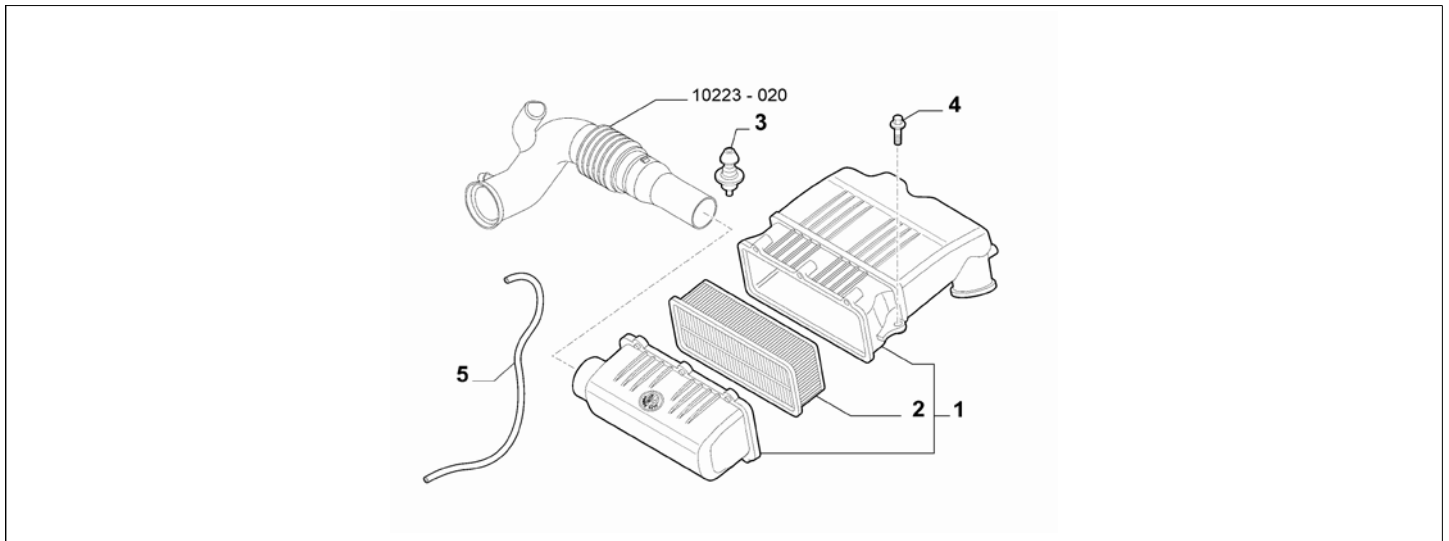


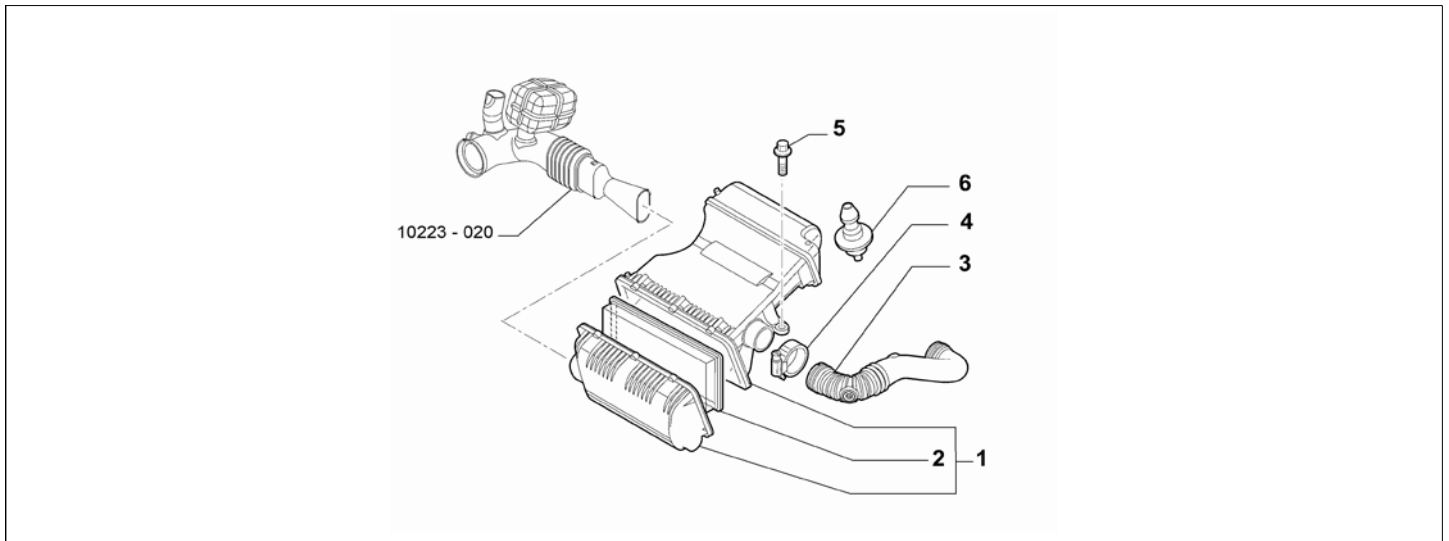
| | | |
|-----------|---------------------------|--------------------|
| Catalogue | MITO 2011-2013 | |
| Category | 3.5 AIR CLEANER AND DUCTS | |
| Var. | 01 | 1.4 + NOTURBO + 8V |
| Rev. | 00 | |



| | Part Num. | Description | Compatibility | Modif. | Qty | Notes | Col. | Reman. |
|---|--------------|------------------------------------|---------------|--------|-----|-------|------|--------|
| 1 | 50552692 | AIR CLEANER | | | 1 | | | |
| 2 | A 55192012 | FILTERING ELEMENT | | | 1 | | | |
| 2 | A 6001073440 | FILTERING ELEMENT, ESSENTIAL PARTS | | | 1 | | | |
| 3 | 51772190 | PIN | | | 1 | | | |
| 4 | 82485531 | SCREW AND WASHER ASSY | | | 2 | | | |
| 5 | 51888291 | HOSE | | | 1 | | | |

| Legend | |
|---------|---------------------------------|
| NOTURBO | (ASPIRATED/TURBO):EXHAUST FAN |
| 1.4 | HORSE POWER (MARKET):1370 |
| 8V | TOTAL NUMBER OF VALVES:8 VALVES |

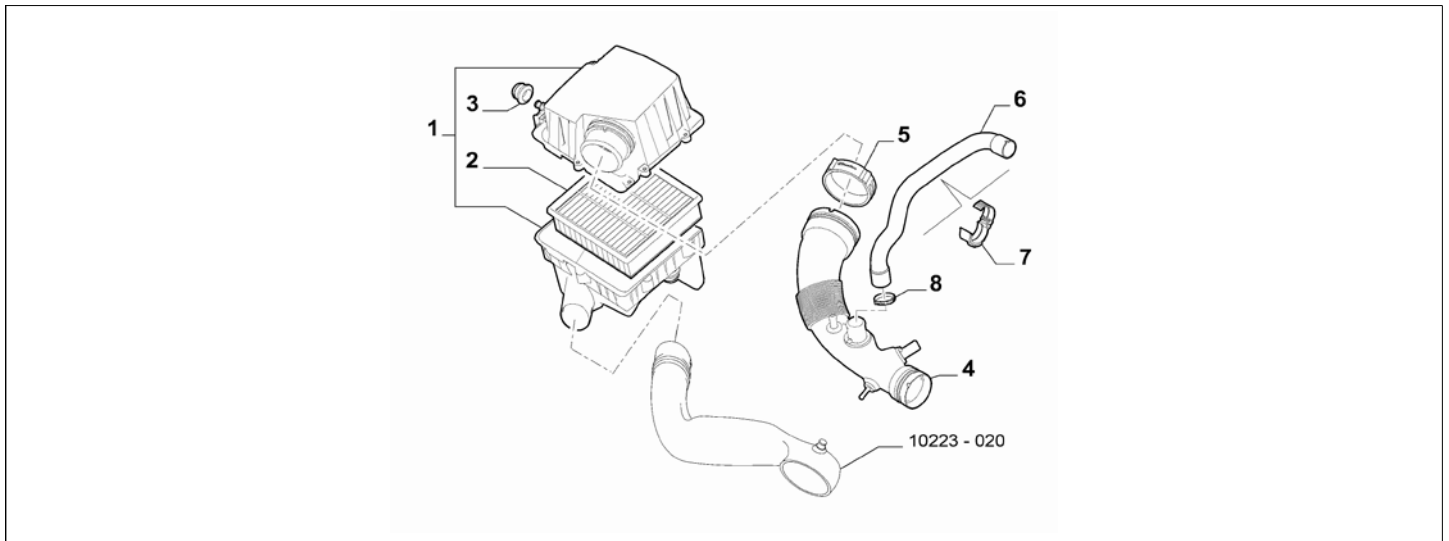
| | | |
|-----------|---------------------------|---------------------|
| Catalogue | MITO 2011-2013 | |
| Category | 3.5 AIR CLEANER AND DUCTS | |
| Var. | 02 | 1.4 + NOTURBO + 16V |
| Rev. | 00 | |



| | Part Num. | Description | Compatibility | Modif. | Qty | Notes | Col. | Reman. |
|---|--------------|------------------------------------|---------------|--------|-----|-------|------|--------|
| 1 | 50508440 | AIR CLEANER | 16V+78HP | | 1 | | | |
| 1 | 50515279 | AIR CLEANER | 105HP | | 1 | | | |
| 2 | A 51775340 | FILTERING ELEMENT | 16V+78HP | | 1 | | | |
| 2 | A 6001073231 | FILTERING ELEMENT, ESSENTIAL PARTS | 16V+78HP | | 1 | | | |
| 2 | 50515501 | FILTERING ELEMENT | 105HP | | 1 | | | |
| 3 | 51777759 | SLEEVE | 16V+78HP | | 1 | | | |
| 3 | 50518137 | SLEEVE | 105HP | | 1 | | | |
| 4 | 13129270 | COLLAR, DIAMETER 54.5 | | | 1 | | | |
| 4 | 13130570 | COLLAR, DIAMETER 60.5 | | | 1 | | | |
| 5 | 82485531 | SCREW AND WASHER ASSY | | | 2 | | | |
| 6 | 51834042 | SCREW AND WASHER ASSY | | | 1 | | | |

| Legend | |
|---------|--|
| NOTURBO | (ASPIRATED/TURBO):EXHAUST FAN |
| 1.4 | HORSE POWER (MARKET):1370 |
| 78HP | POWER:1.4 FIRE 8V/16V 78HP EURO5 |
| 105HP | POWER:1.4 FIRE 16V MULTIAIR 105HP (EURO 5) |
| 16V | TOTAL NUMBER OF VALVES:16 VALVES |

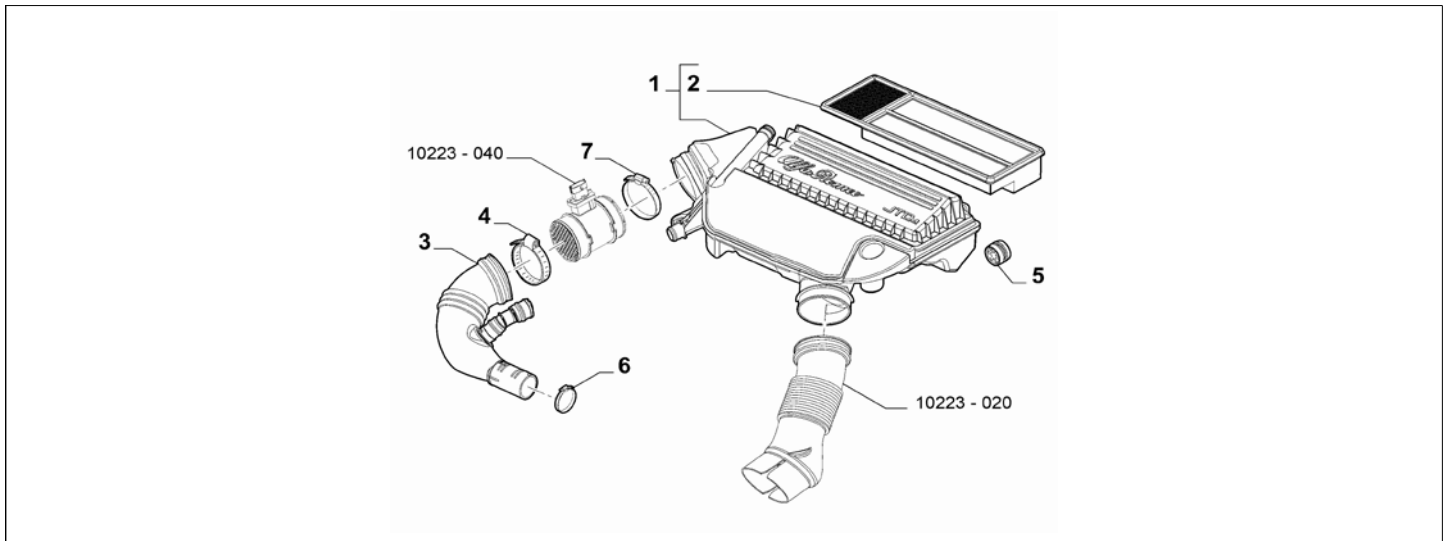
| | | |
|-----------|---------------------------|-------------|
| Catalogue | MITO 2011-2013 | |
| Category | 3.5 AIR CLEANER AND DUCTS | |
| Var. | 03 | 1.4 + TURBO |
| Rev. | 00 | |



| | Part Num. | Description | Compatibility | Modif. | Qty | Notes | Col. | Reman. |
|---|--------------|------------------------------------|---------------|--------|-----|-------|------|--------|
| 1 | 51796536 | AIR CLEANER | 120HP | | 1 | | | |
| 1 | 50514227 | AIR CLEANER | 135HP, 170HP | | 1 | | | |
| 2 | A 55184249 | FILTERING ELEMENT | 120HP | | 1 | | | |
| 2 | A 6001073232 | FILTERING ELEMENT, ESSENTIAL PARTS | 120HP | | 1 | | | |
| 2 | 51830174 | FILTERING ELEMENT | 135HP, 170HP | | 1 | | | |
| 3 | 51751410 | PAD | 120HP | | 3 | | | |
| 3 | 51830176 | PAD | 135HP, 170HP | | 3 | | | |
| 4 | 50515505 | SLEEVE | 135HP+ITCT | C16279 | 1 | | | |
| 4 | 50528558 | SLEEVE | 135HP+ITCT | D16279 | 1 | | | |
| 4 | 50516362 | SLEEVE | TCT | | 1 | | | |
| 4 | 51822558 | SLEEVE | 120HP | | 1 | | | |
| 4 | 50515513 | SLEEVE | 170HP | | 1 | | | |
| 5 | 13128570 | COLLAR, DIAMETER 57 | | | 1 | | | |
| 5 | 13131570 | COLLAR, DIAMETER 80 | | | 1 | | | |
| 6 | 51800472 | SLEEVE | 120HP | | 1 | | | |
| 7 | 51778317 | CLIP | 120HP | | 2 | | | |
| 8 | 51810011 | COLLAR | 120HP | | 2 | | | |

| Legend | |
|--------|---|
| TCT | SPECIFIC GEARBOX |
| TURBO | (ASPIRATED/TURBO):TURBO |
| 1.4 | HORSE POWER (MARKET):1370 |
| 170HP | POWER:1.4 FIRE 16V TURBO MULTIAIR 170HP EURO 5 |
| 120HP | POWER:1.6 JTD EURO5 -1.4 FIRE TRB EURO4 120CV |
| 135HP | POWER:1.4 FIRE 16V TURBO MULTIAIR 135 HP EURO 5 |
| 16279 | Modified compressor side end [DAT 22/02/2013] |

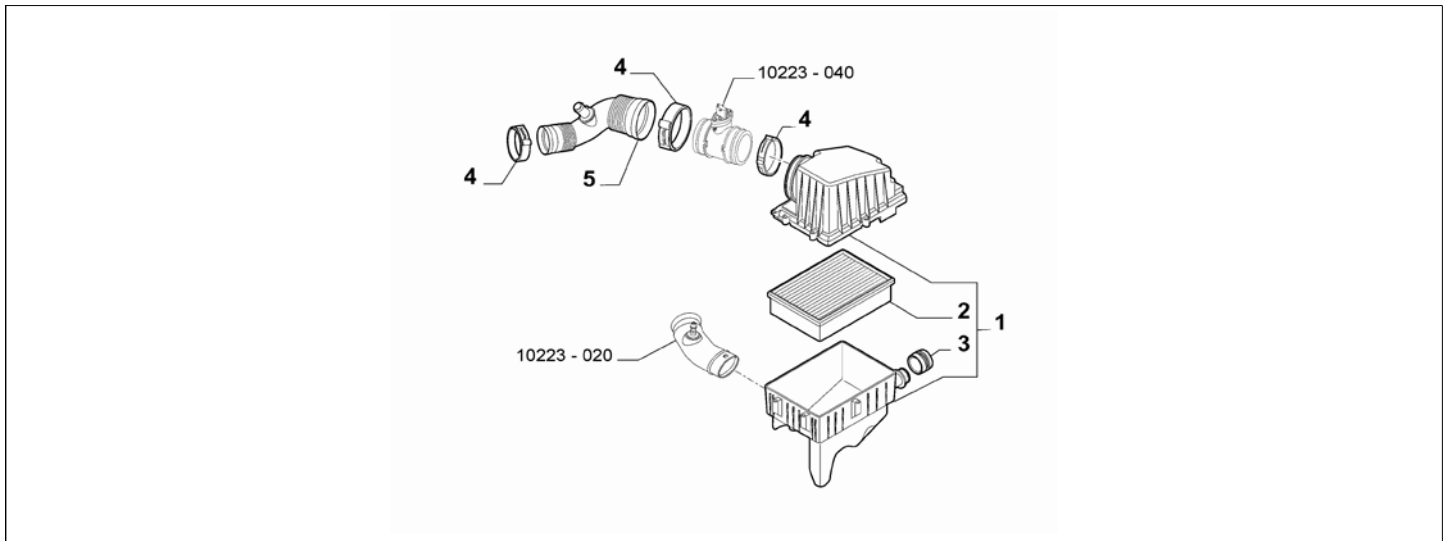
| | | |
|-----------|---------------------------|------|
| Catalogue | MITO 2011-2013 | |
| Category | 3.5 AIR CLEANER AND DUCTS | |
| Var. | 04 | 1.3D |
| Rev. | 00 | |



| | Part Num. | Description | Compatibility | Modif. | Qty | Notes | Col. | Reman. |
|---|--------------|------------------------------------|---------------|--------|-----|-------|------|--------|
| 1 | 51876860 | AIR CLEANER | | | 1 | | | |
| 2 | A 51920958 | FILTERING ELEMENT | | | 1 | | | |
| 2 | A 6001073120 | FILTERING ELEMENT, ESSENTIAL PARTS | | | 1 | | | |
| 3 | 51897510 | SLEEVE | | | 1 | | | |
| 4 | 13129370 | COLLAR, DIAMETER 75.5 | | | 1 | | | |
| 5 | 51818285 | PAD | | | 1 | | | |
| 6 | 11417670 | COLLAR, DIAMETER 30-45 | | | 1 | | | |
| 7 | 10323970 | COLLAR, DIAMETER 73 | | | 1 | | | |

| Legend | |
|--------|--------------------------|
| 1.3D | HORSE POWER (MARKET):1.3 |

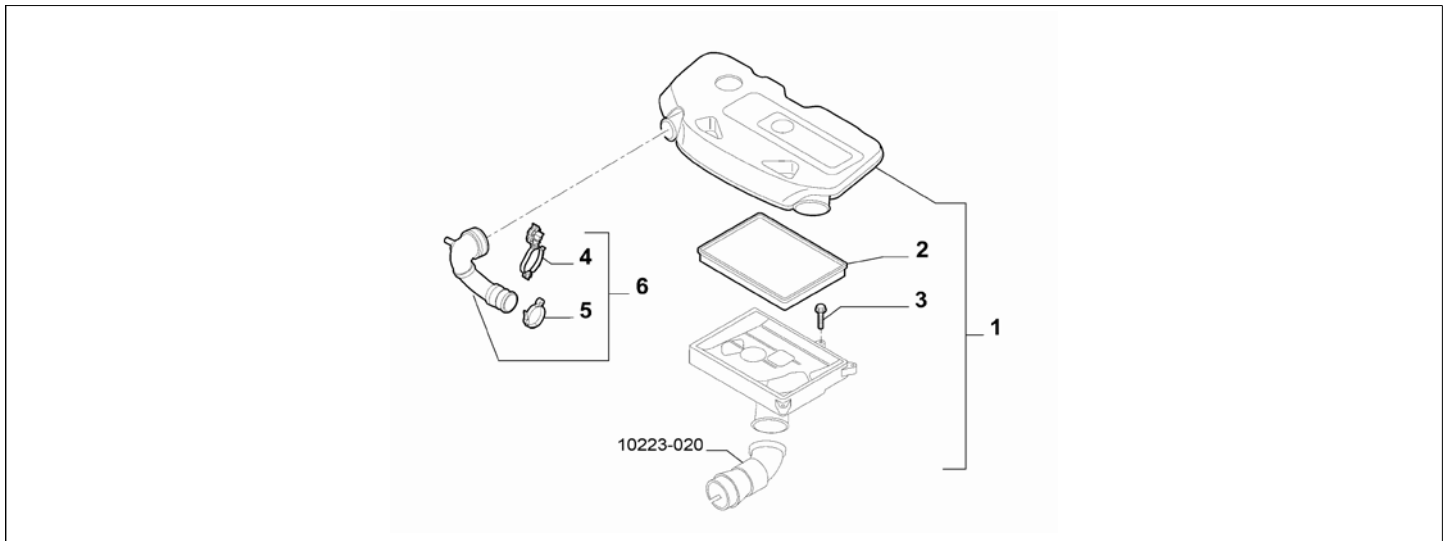
| | | |
|-----------|---------------------------|------|
| Catalogue | MITO 2011-2013 | |
| Category | 3.5 AIR CLEANER AND DUCTS | |
| Var. | 05 | 1.6D |
| Rev. | 00 | |



| Part Num. | Description | Compatibility | Modif. | Qty | Notes | Col. | Reman. |
|-----------|--------------------------------|---------------|--------|-----|-------|------|--------|
| 1 | 51830173 AIR CLEANER | | | 1 | | | |
| 2 | 51830174 FILTERING ELEMENT | | | 1 | | | |
| 3 | 51830176 PAD | | | 3 | | | |
| 4 | 71714116 COLLAR, DIAMETER 55 | | | 1 | | | |
| 4 | 13129370 COLLAR, DIAMETER 75.5 | | | 2 | | | |
| 5 | 50510628 SLEEVE | | | 1 | | | |

| | |
|---------------|---------------------------|
| Legend | |
| 1.6D | HORSE POWER (MARKET):1598 |

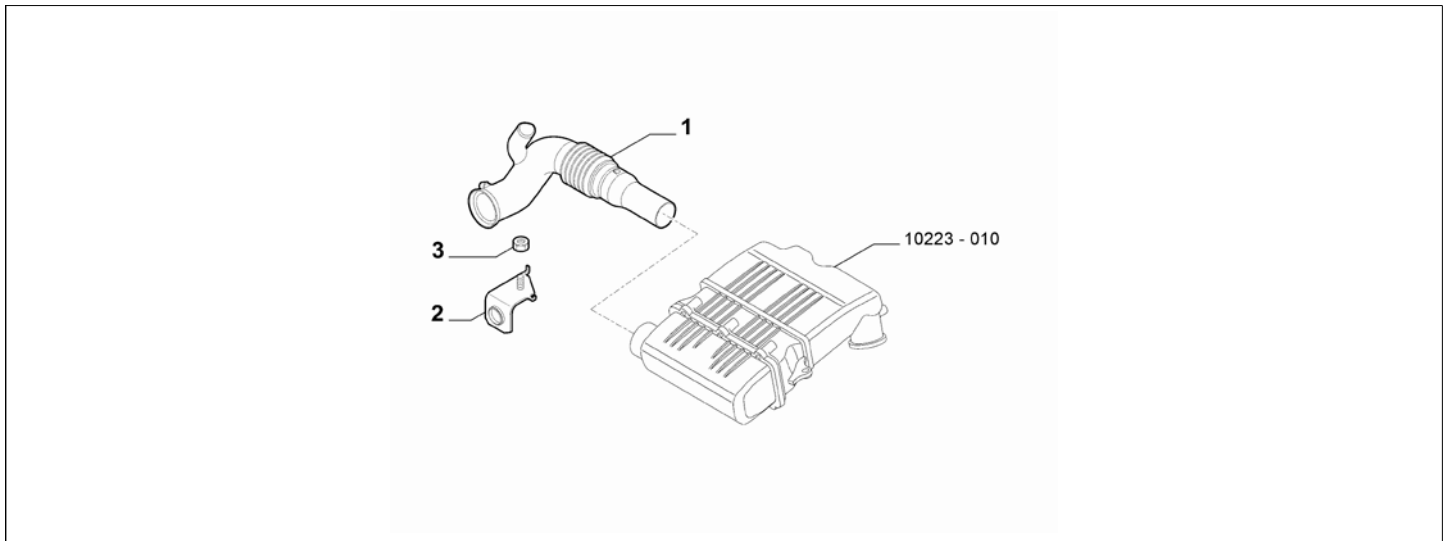
| | | |
|-----------|---------------------------|-------|
| Catalogue | MITO 2011-2013 | |
| Category | 3.5 AIR CLEANER AND DUCTS | |
| Var. | 06 | 875CC |
| Rev. | 00 | |



| Part Num. | Description | Compatibility | Modif. | Qty | Notes | Col. | Reman. |
|-----------|--------------------------------|---------------|--------|-----|-------|------|--------|
| 1 | 50527223 AIR CLEANER | | | 1 | | | |
| 2 | 51881024 FILTERING ELEMENT | | | 1 | | | |
| 3 | 51889410 SCREW AND WASHER ASSY | | | 6 | | | |
| 4 | 13097590 COLLAR, D50 | | | 1 | | | |
| 5 | 51916526 CLIP | | | 1 | | | |
| 6 | 51909150 SLEEVE | | | 1 | | | |

| | |
|---------------|--------------------------|
| Legend | |
| 875CC | HORSE POWER (MARKET):875 |

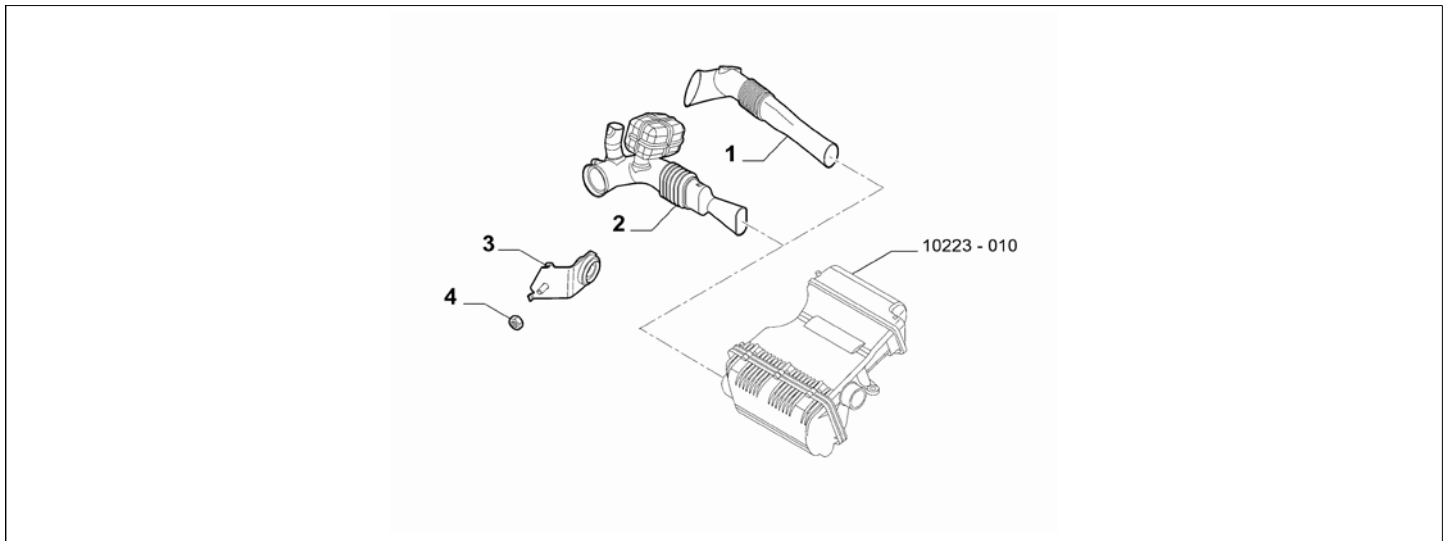
| | | |
|-----------|---------------------------|----------|
| Catalogue | MITO 2011-2013 | |
| Category | 3.5 AIR CLEANER AND DUCTS | |
| Var. | 01 | 1.4 + 8V |
| Rev. | 00 | |



| Part Num. | Description | Compatibility | Modif. | Qty | Notes | Col. | Reman. |
|-----------|---------------------|---------------|--------|-----|-------|------|--------|
| 1 | 51774995 AIR INTAKE | | C16930 | 1 | | | |
| 1 | 51774994 AIR INTAKE | | D16930 | 1 | | | |
| 2 | 51775002 BRACKET | | | 1 | | | |
| 3 | 14059218 NUT, M6 | | | 1 | | | |

| Legend | |
|--------|---|
| 1.4 | HORSE POWER (MARKET):1370 |
| 8V | TOTAL NUMBER OF VALVES:8 VALVES |
| 16930 | Adopted new cold air intake vent [DAT 26/07/2012] |

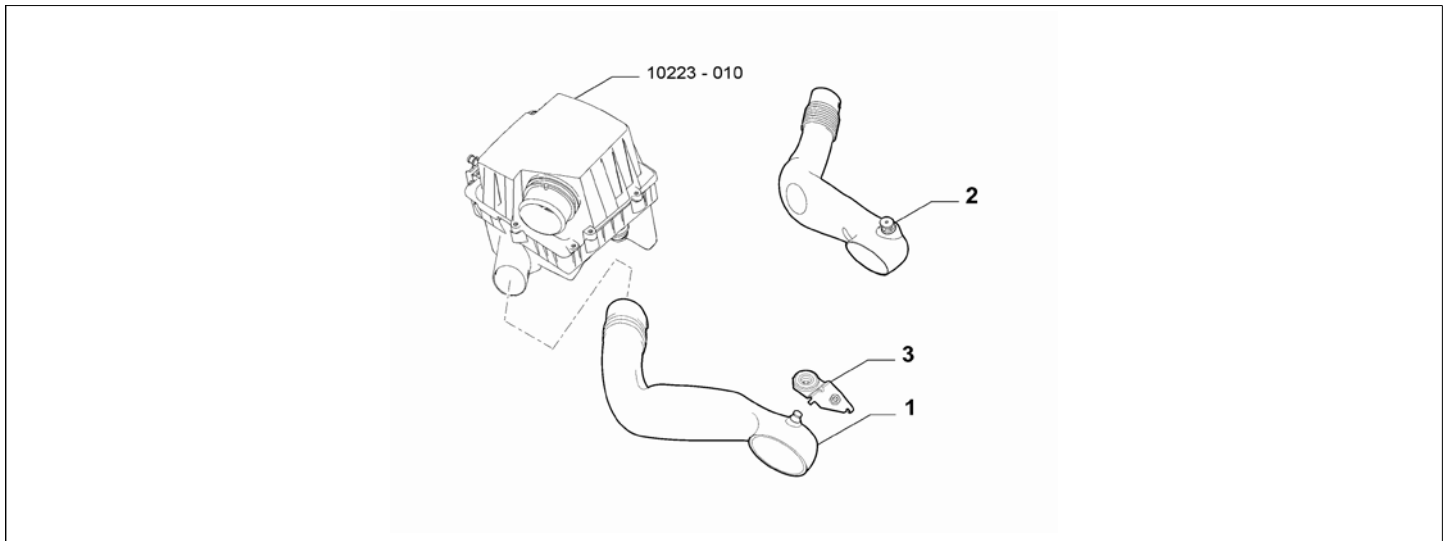
| | | |
|-----------|---------------------------|---------------------|
| Catalogue | MITO 2011-2013 | |
| Category | 3.5 AIR CLEANER AND DUCTS | |
| Var. | 02 | 1.4 + 16V + NOTURBO |
| Rev. | 00 | |



| Part Num. | Description | Compatibility | Modif. | Qty | Notes | Col. | Reman. |
|-----------|---------------------|---------------|--------|-----|-------|------|--------|
| 1 | 50515512 AIR INTAKE | 105HP | | 1 | | | |
| 2 | 52122710 AIR INTAKE | 78HP+1230 | | 1 | | | |
| 2 | 51834041 AIR INTAKE | 78HP+230 | | 1 | | | |
| 3 | 51775002 BRACKET | | | 1 | | | |
| 4 | 14059218 NUT, M6 | | | 1 | | | |

| Legend | |
|---------|--|
| 230 | GAS DISCHARGE HEADLIGHTS |
| NOTURBO | (ASPIRATED/TURBO):EXHAUST FAN |
| 1.4 | HORSE POWER (MARKET):1370 |
| 78HP | POWER:1.4 FIRE 8V/16V 78HP EURO5 |
| 105HP | POWER:1.4 FIRE 16V MULTIAIR 105HP (EURO 5) |
| 16V | TOTAL NUMBER OF VALVES:16 VALVES |

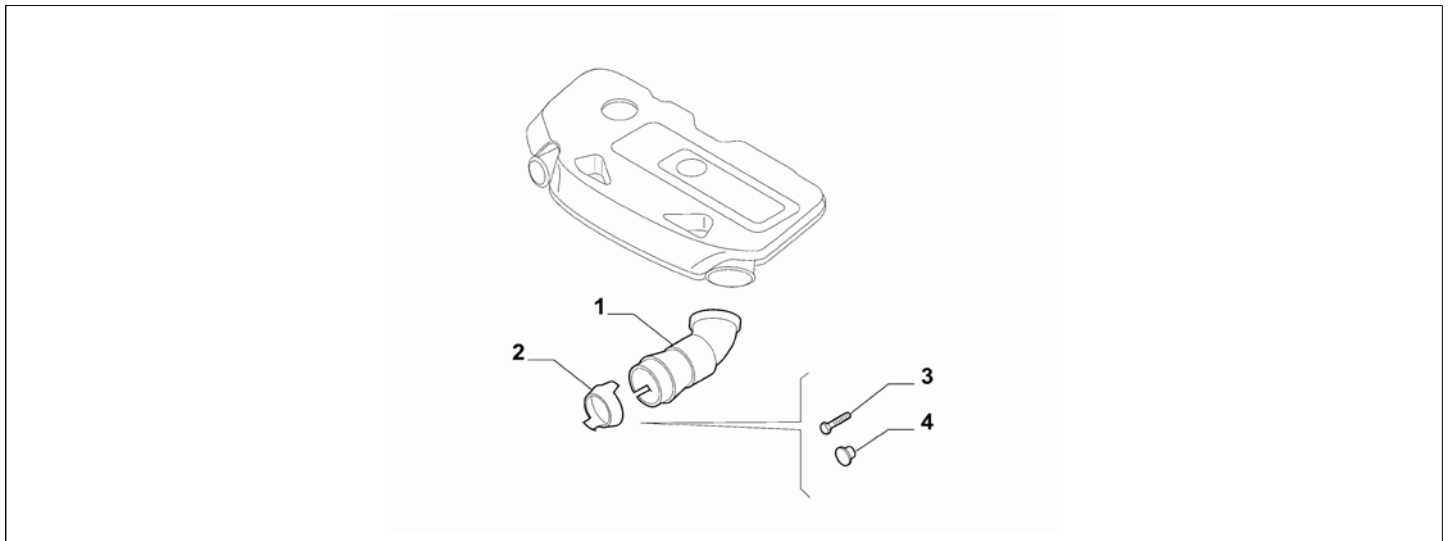
| | | |
|-----------|---------------------------|-------------------|
| Catalogue | MITO 2011-2013 | |
| Category | 3.5 AIR CLEANER AND DUCTS | |
| Var. | 03 | 1.4 + 16V + TURBO |
| Rev. | 00 | |



| Part Num. | Description | Compatibility | Modif. | Qty | Notes | Col. | Reman. |
|-----------|---------------------|---------------|--------|-----|-------|------|--------|
| 1 | 50510629 AIR INTAKE | 135HP | | 1 | | | |
| 1 | 50510629 AIR INTAKE | 170HP | | 1 | | | |
| 2 | 50510629 AIR INTAKE | 120HP | | 1 | | | |
| 3 | 50515243 BRACKET | 135HP, 170HP | | 1 | | | |

| Legend | |
|--------|---|
| TURBO | (ASPIRATED/TURBO):TURBO |
| 1.4 | HORSE POWER (MARKET):1370 |
| 170HP | POWER:1.4 FIRE 16V TURBO MULTIAIR 170HP EURO 5 |
| 120HP | POWER:1.6 JTD EURO5 -1.4 FIRE TRB EURO4 120CV |
| 135HP | POWER:1.4 FIRE 16V TURBO MULTIAIR 135 HP EURO 5 |
| 16V | TOTAL NUMBER OF VALVES:16 VALVES |

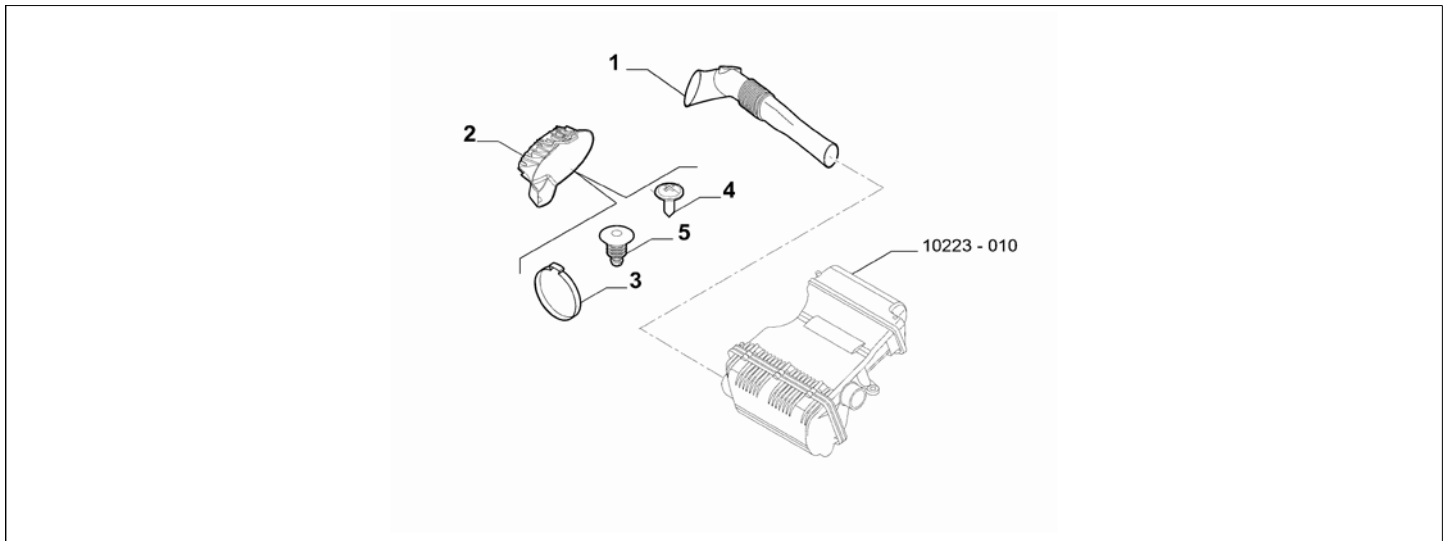
| | | |
|-----------|---------------------------|-------|
| Catalogue | MITO 2011-2013 | |
| Category | 3.5 AIR CLEANER AND DUCTS | |
| Var. | 04 | 875CC |
| Rev. | 00 | |



| Part Num. | Description | Compatibility | Modif. | Qty | Notes | Col. | Reman. |
|-----------|-----------------------|---------------|--------|-----|-------|------|--------|
| 1 | 51908530 AIR INTAKE | 875CC | | 1 | | | |
| 2 | 51877493 BRACKET | 875CC | | 1 | | | |
| 3 | 15783207 SCREW, M4X12 | 875CC | | 1 | | | |
| 4 | 51879486 BUTTON | 875CC | | 1 | | | |

| Legend | |
|--------|--------------------------|
| 875CC | HORSE POWER (MARKET):875 |

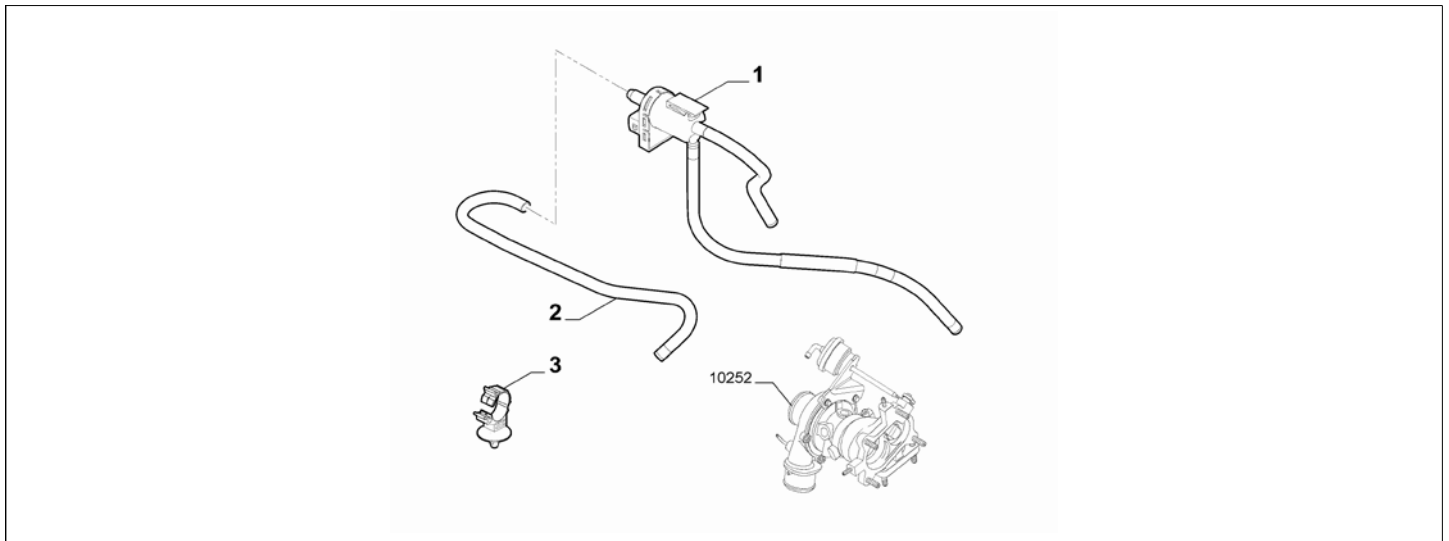
| | | |
|-----------|---------------------------|------|
| Catalogue | MITO 2011-2013 | |
| Category | 3.5 AIR CLEANER AND DUCTS | |
| Var. | 05 | 1.3D |
| Rev. | 00 | |



| Part Num. | Description | Compatibility | Modif. | Qty | Notes | Col. | Reman. |
|-----------|---------------------|---------------|--------|-----|-------|------|--------|
| 1 | 51877463 AIR INTAKE | EURO5+PCC510 | | 1 | | | |
| 2 | 51877493 BRACKET | EURO5 | | 1 | | | |
| 3 | 13129370 COLLAR | EURO5 | | 1 | | | |
| 4 | 15783207 SCREW | EURO5 | | 1 | | | |
| 5 | 51879486 BUTTON | EURO5 | | 1 | | | |

| Legend | |
|--------|--------------------------|
| 1.3D | HORSE POWER (MARKET):1.3 |
| EURO5 | ECOLOGY:LIM.ECC PHASE 5 |
| PCC510 | GEARBOX DESIGN:GEARBOX |

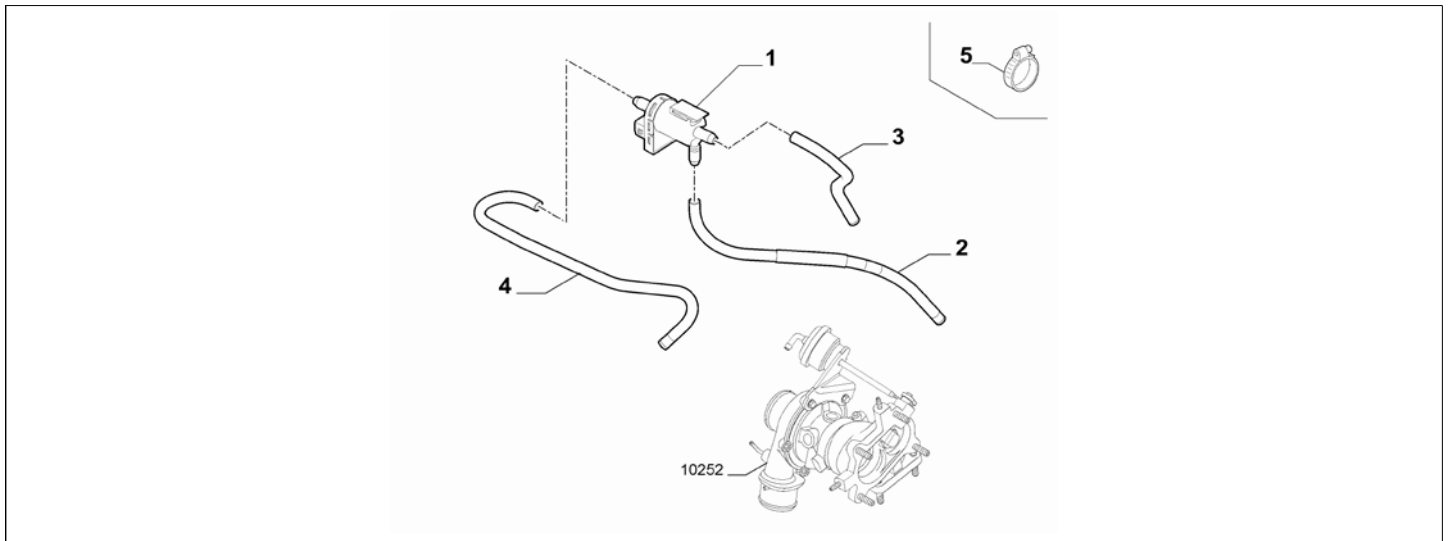
| | | |
|-----------|---------------------------|--|
| Catalogue | MITO 2011-2013 | |
| Category | 3.5 AIR CLEANER AND DUCTS | |
| Var. | 01 | TURBO + 1.4 + 135HP, TURBO + 1.4 + 170HP |
| Rev. | 00 | |



| Part Num. | Description | Compatibility | Modif. | Qty | Notes | Col. | Reman. |
|-----------|-------------|---------------|--------|-----|-------|------|--------|
| 1 | 50518350 | ELECTRO-VALVE | C15174 | 1 | | | |
| 1 | 50521319 | ELECTRO-VALVE | D15174 | 1 | | | |
| 1 | 50525337 | ELECTRO-VALVE | | 1 | | | |
| 2 | 50518353 | SLEEVE | | 1 | | | |
| 3 | 50518289 | CLIP | | 2 | | | |

| Legend | |
|--------|---|
| 4MJ | SPECIFIC FOR LIGHT TROPICAL MARKET |
| TURBO | (ASPIRATED/TURBO):TURBO |
| 1.4 | HORSE POWER (MARKET):1370 |
| 170HP | POWER:1.4 FIRE 16V TURBO MULTIAIR 170HP EURO 5 |
| 135HP | POWER:1.4 FIRE 16V TURBO MULTIAIR 135 HP EURO 5 |
| 15174 | ADOPTION OF NEW SOLENOID VALVE ASSEMBLY [TEL 1663118] |

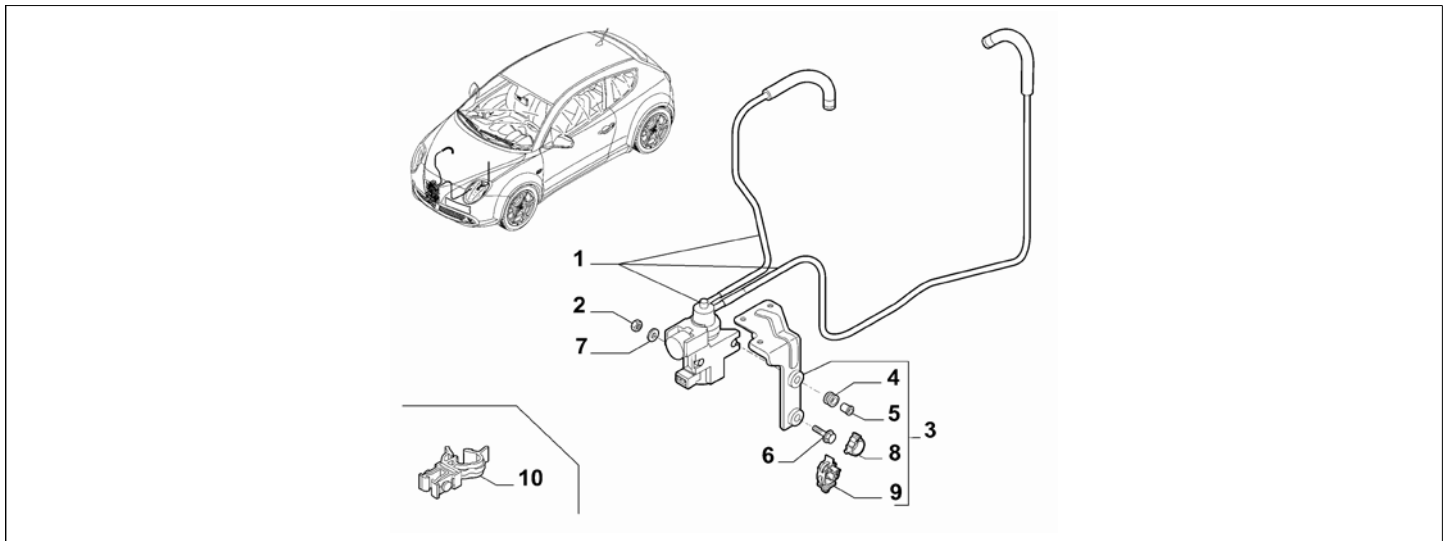
| | | |
|-----------|---------------------------|---------------------|
| Catalogue | MITO 2011-2013 | |
| Category | 3.5 AIR CLEANER AND DUCTS | |
| Var. | 02 | TURBO + 1.4 + 120HP |
| Rev. | 00 | |



| Part Num. | Description | Compatibility | Modif. | Qty | Notes | Col. | Reman. |
|-----------|------------------------|---------------|--------|-----|-------|------|--------|
| 1 | 46813571 ELECTRO-VALVE | | | 1 | | | |
| 2 | 51810327 HOSE | | | 1 | | | |
| 3 | 51810328 HOSE | | | 1 | | | |
| 4 | 51810329 HOSE | | | 1 | | | |
| 5 | 13432570 COLLAR | | | 3 | | | |

| Legend | |
|--------|---|
| TURBO | (ASPIRATED/TURBO):TURBO |
| 1.4 | HORSE POWER (MARKET):1370 |
| 120HP | POWER:1.6 JTD EURO5 -1.4 FIRE TRB EURO4 120CV |

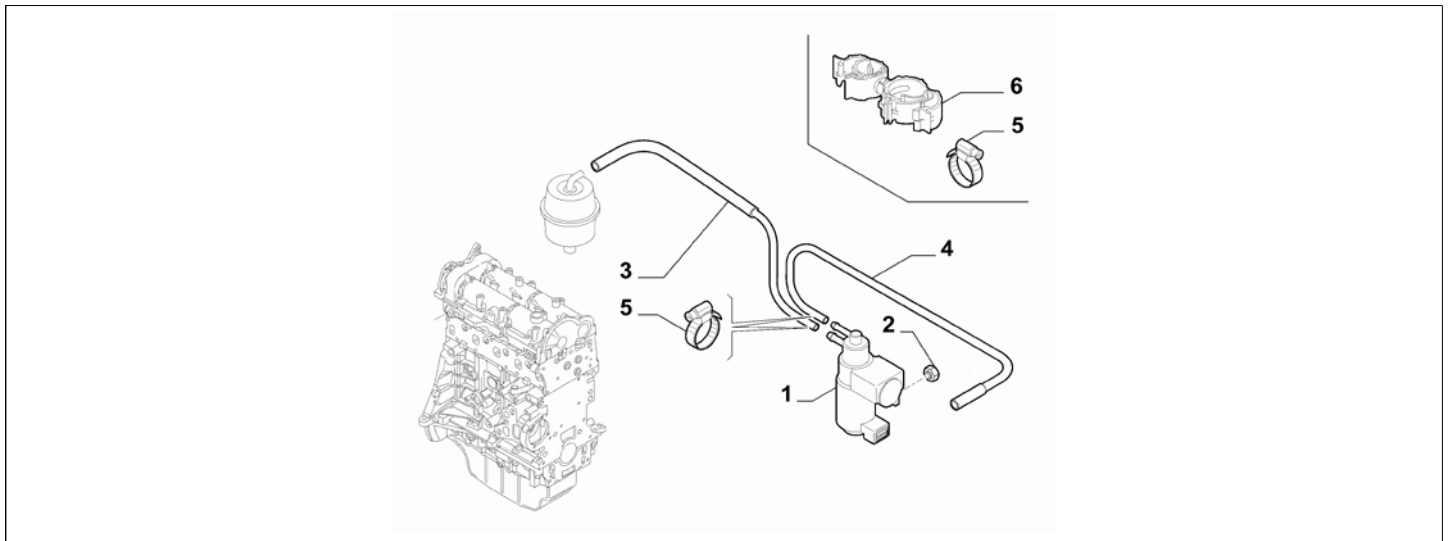
| | | |
|-----------|---------------------------|----------------------|
| Catalogue | MITO 2011-2013 | |
| Category | 3.5 AIR CLEANER AND DUCTS | |
| Var. | 03 | TURBO + 1.6D + 120HP |
| Rev. | 00 | |



| Part Num. | Description | Compatibility | Modif. | Qty | Notes | Col. | Reman. |
|-----------|-----------------------------|---------------|--------|-----|-------|------|--------|
| 1 | 50518665 ELECTRO-VALVE | | | 1 | | | |
| 2 | 55192176 NUT | | | 1 | | | |
| 3 | 50518721 BRACKET | | | 1 | | | |
| 4 | 46445134 SPACER | | | 2 | | | |
| 5 | 4130912 PAD | | | 2 | | | |
| 6 | 14114710 SCREW, M6X12 | | | 1 | | | |
| 7 | 12647721 PLANE WASHER, 6X21 | | | 1 | | | |
| 8 | 51719383 CLIP | | | 1 | | | |
| 9 | 46817858 CLIP | | | 1 | | | |
| 10 | 46458685 CLIP | | | 3 | | | |

| Legend | |
|--------|---|
| TURBO | (ASPIRATED/TURBO):TURBO |
| 1.6D | HORSE POWER (MARKET):1598 |
| 120HP | POWER:1.6 JTD EURO5 -1.4 FIRE TRB EURO4 120CV |

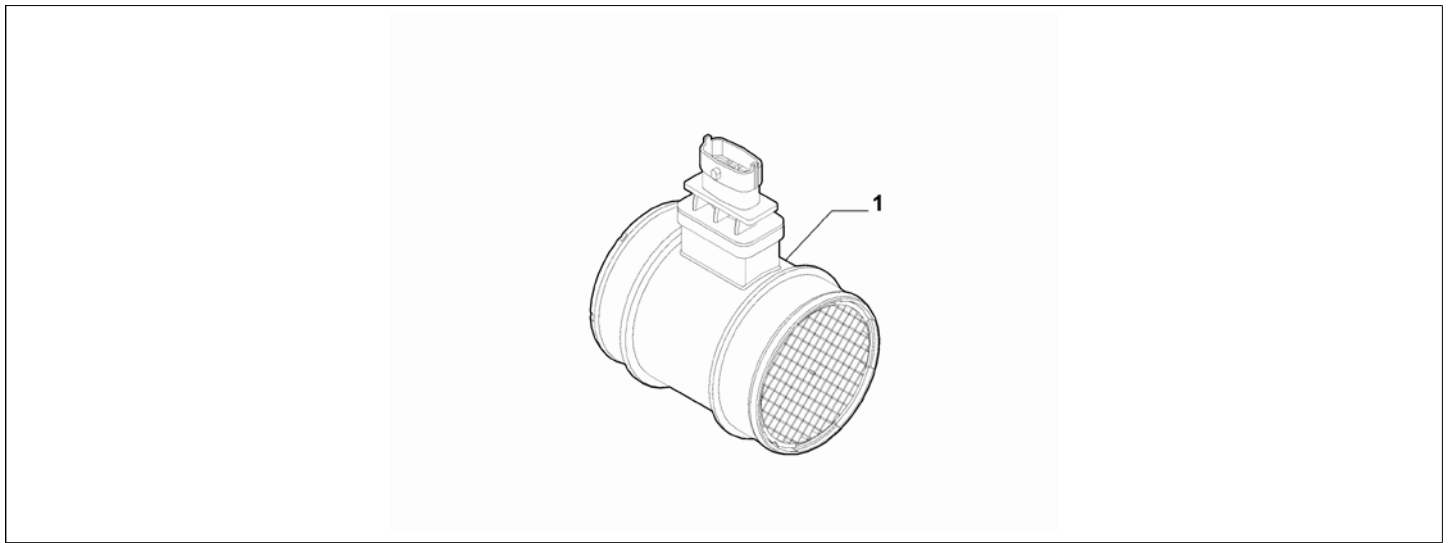
| | | |
|-----------|---------------------------|------|
| Catalogue | MITO 2011-2013 | |
| Category | 3.5 AIR CLEANER AND DUCTS | |
| Var. | 04 | 1.3D |
| Rev. | 00 | |



| Part Num. | Description | Compatibility | Modif. | Qty | Notes | Col. | Reman. |
|-----------|------------------------|---------------|--------|-----|-------|------|--------|
| 1 | 55256638 ELECTRO-VALVE | | | 1 | | | |
| 2 | 13046114 NUT, M6 | | | 2 | | | |
| 3 | 51816518 HOSE | | | 1 | | | |
| 4 | 51879296 SLEEVE | | | 1 | | | |
| 5 | 13432070 COLLAR | | | 1 | | | |
| 6 | 46822100 CLIP | | | 1 | | | |

| Legend | |
|--------|--------------------------|
| 1.3D | HORSE POWER (MARKET):1.3 |

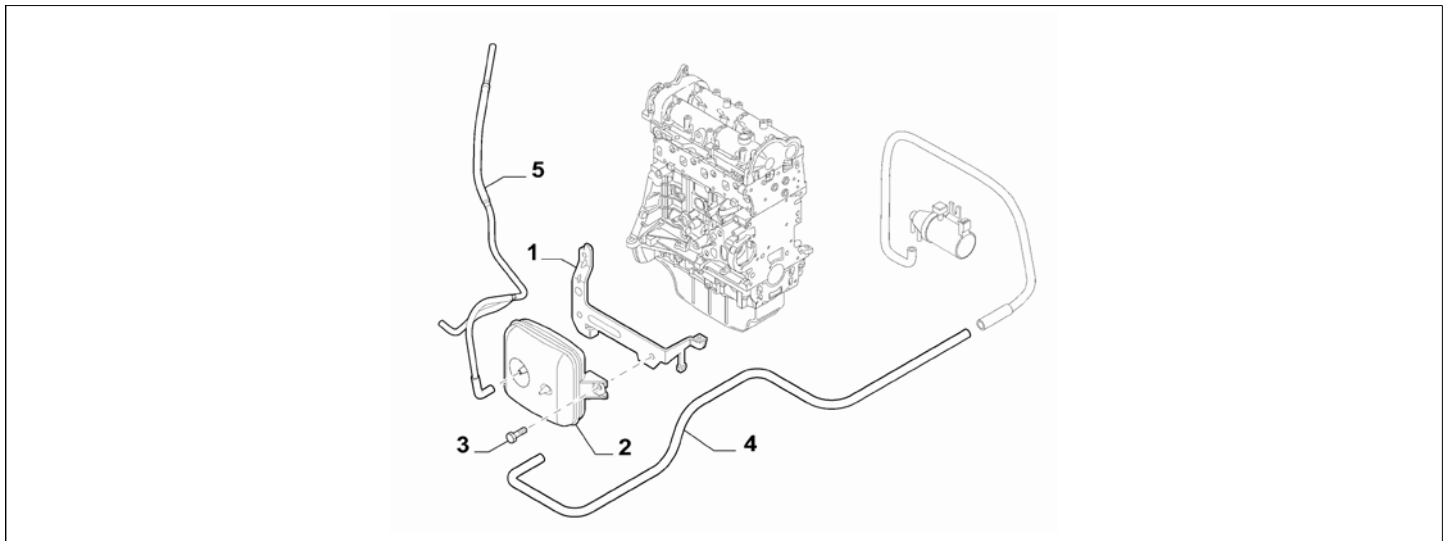
| | | |
|-----------|---------------------------|--------|
| Catalogue | MITO 2011-2013 | |
| Category | 3.5 AIR CLEANER AND DUCTS | |
| Var. | 01 | DIESEL |
| Rev. | 00 | |



| Part Num. | Description | Compatibility | Modif. | Qty | Notes | Col. | Reman. |
|-----------|-------------|-------------------|--------|-----|-------|------|----------|
| 1 | 51831050 | CAPACITY MEASURER | 1.3D | | | | 71795057 |
| 1 | 51831050 | CAPACITY MEASURER | 1.6D | | | | 71795057 |

| Legend | |
|--------|---------------------------|
| 1.3D | HORSE POWER (MARKET):1.3 |
| 1.6D | HORSE POWER (MARKET):1598 |
| DIESEL | FUEL:DIESEL |

| | | |
|-----------|---------------------------|--------------|
| Catalogue | MITO 2011-2013 | |
| Category | 3.5 AIR CLEANER AND DUCTS | |
| Var. | 01 | 1.3D + EURO5 |
| Rev. | 00 | |



| Part Num. | Description | Compatibility | Modif. | Qty | Notes | Col. | Reman. |
|-----------|-----------------------|---------------|--------|-----|-------|------|--------|
| 1 | 51868878 BRACKET | | | 1 | | | |
| 2 | 51877651 VACUUM TANK | | | 1 | | | |
| 3 | 16287021 SCREW, M8X16 | | | 2 | | | |
| 4 | 55269332 SLEEVE | | | 1 | | | |
| 5 | 51877652 SLEEVE | | | 1 | | | |

| Legend | |
|--------|--------------------------|
| 1.3D | HORSE POWER (MARKET):1.3 |
| EURO5 | ECOLOGY:LIM.ECC PHASE 5 |