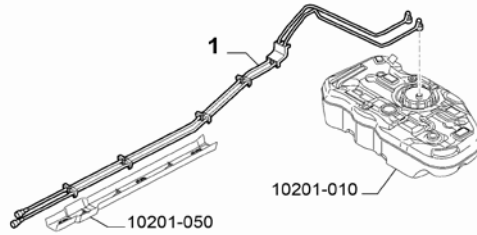


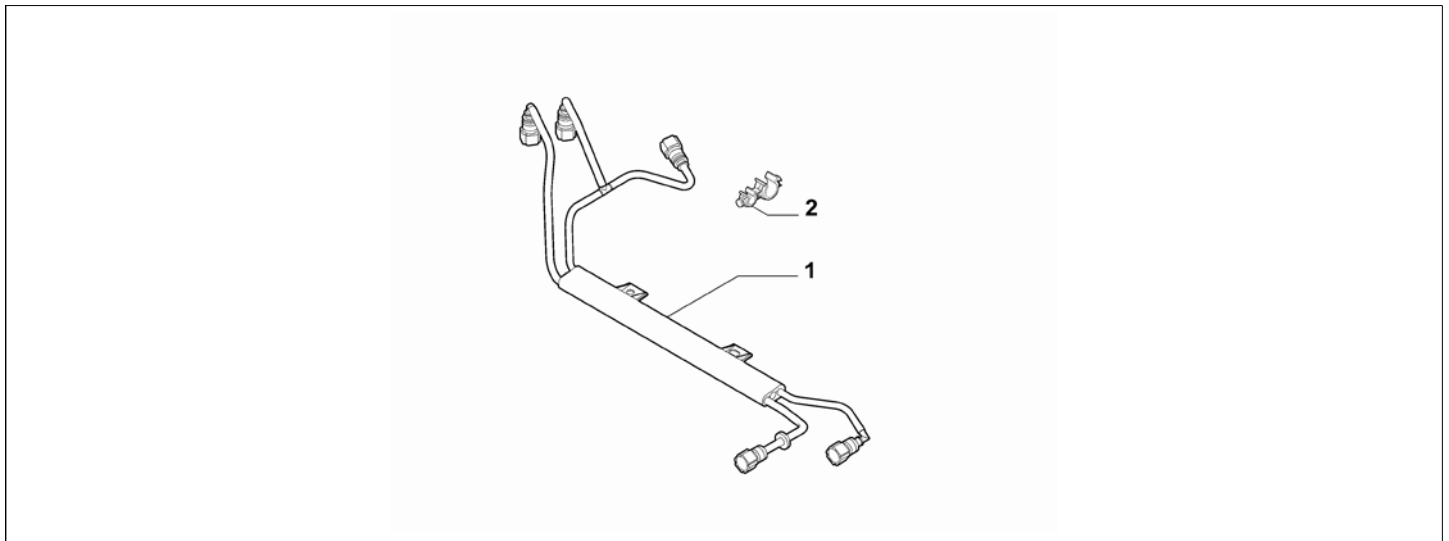
Catalogue	MITO 2011-2013	
Category	3.2 FUEL TANK PIPELINE	
Var.	02	
Rev.	00	



Part Num.	Description	Compatibility	Modif.	Qty	Notes	Col.	Reman.
1	51790775	PIPE	NOTURBO	1			
1	51790777	PIPE	1.6D	1			
1	50521492	PIPE	1.3D	1			
1	50521386	PIPE	EURO4	1			
1	50521386	PIPE	135HP+ITCT	1			
1	50521387	PIPE	1.4+155HP, 170HP	1			
1	50521388	PIPE	1.4+120HP+TCT, TCT	1			
1	50521567	PIPE	1.4+120HP+EURO5	1			
1	51885314	PIPE	875CC	1			

Legend	
TCT	SPECIFIC GEARBOX
NOTURBO	(ASPIRATED/TURBO):EXHAUST FAN
875CC	HORSE POWER (MARKET):875
1.3D	HORSE POWER (MARKET):1.3
1.4	HORSE POWER (MARKET):1370
1.6D	HORSE POWER (MARKET):1598
EURO4	ECOLOGY:EEC LIM. STAGE 4
EURO5	ECOLOGY:LIM.ECC PHASE 5
155HP	POWER:1.4 FIRE 16V TURBO 155HP (EURO 5)
170HP	POWER:1.4 FIRE 16V TURBO MULTIAIR 170HP EURO 5
120HP	POWER:1.6 JTD EURO5 -1.4 FIRE TRB EURO4 120CV
135HP	POWER:1.4 FIRE 16V TURBO MULTIAIR 135 HP EURO 5

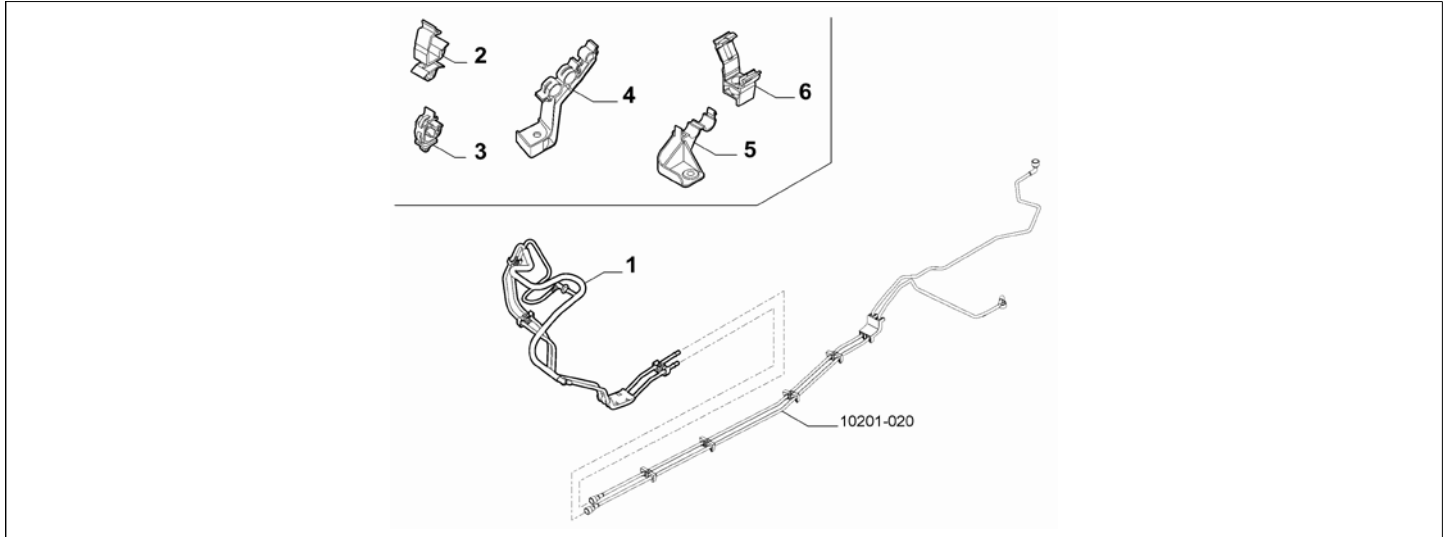
Catalogue	MITO 2011-2013	
Category	3.2 FUEL TANK PIPELINE	
Var.	01	1.3D
Rev.	00	



Part Num.	Description	Compatibility	Modif.	Qty	Notes	Col.	Reman.
1	51870101	PIPE	LHD	C14455	1		
1	51893004	PIPE	LHD	D14455	1		
1	51813206	PIPE	RHD	C14455	1		
1	51893003	PIPE	RHD	D14455	1		
2	7639534	CLIP	85HP, 95HP		1		

Legend	
1.3D	HORSE POWER (MARKET):1.3
RHD	STEERING:RIGHT
LHD	STEERING:LEFT
85HP	POWER:1.3 SDE 85HP EURO5
95HP	POWER:1.3 SDE 95HP EURO5
14455	New pipes without diesel cooling coil and with return pipe diameter decreased from 10 to 8 mm [DAT 15/03/2011]

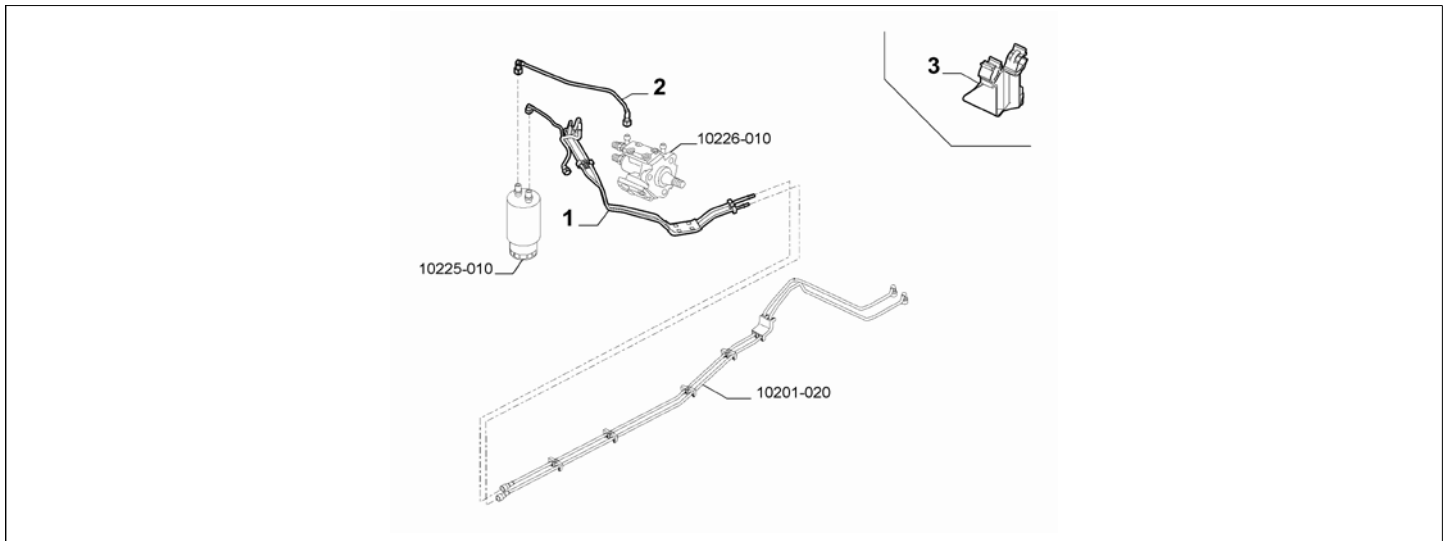
Catalogue	MITO 2011-2013	
Category	3.2 FUEL TANK PIPELINE	
Var.	02	1.4
Rev.	00	



Part Num.	Description	Compatibility	Modif.	Qty	Notes	Col.	Reman.
1	51896921	PIPE		1			
1	51896915	PIPE		1			
1	51896912	PIPE		1			
2	46546361	NUT		1			
3	46817858	CLIP		1			
4	51794477	CLIP		1			
5	46786568	CLIP		1			
6	55702832	CLIP		2			

Legend	
NOTURBO	(ASPIRATED/TURBO):EXHAUST FAN
1.4	HORSE POWER (MARKET):1370
170HP	POWER:1.4 FIRE 16V TURBO MULTIAIR 170HP EURO 5
78HP	POWER:1.4 FIRE 8V/16V 78HP EURO5
105HP	POWER:1.4 FIRE 16V MULTIAIR 105HP (EURO 5)
135HP	POWER:1.4 FIRE 16V TURBO MULTIAIR 135 HP EURO 5
16V	TOTAL NUMBER OF VALVES:16 VALVES
8V	TOTAL NUMBER OF VALVES:8 VALVES

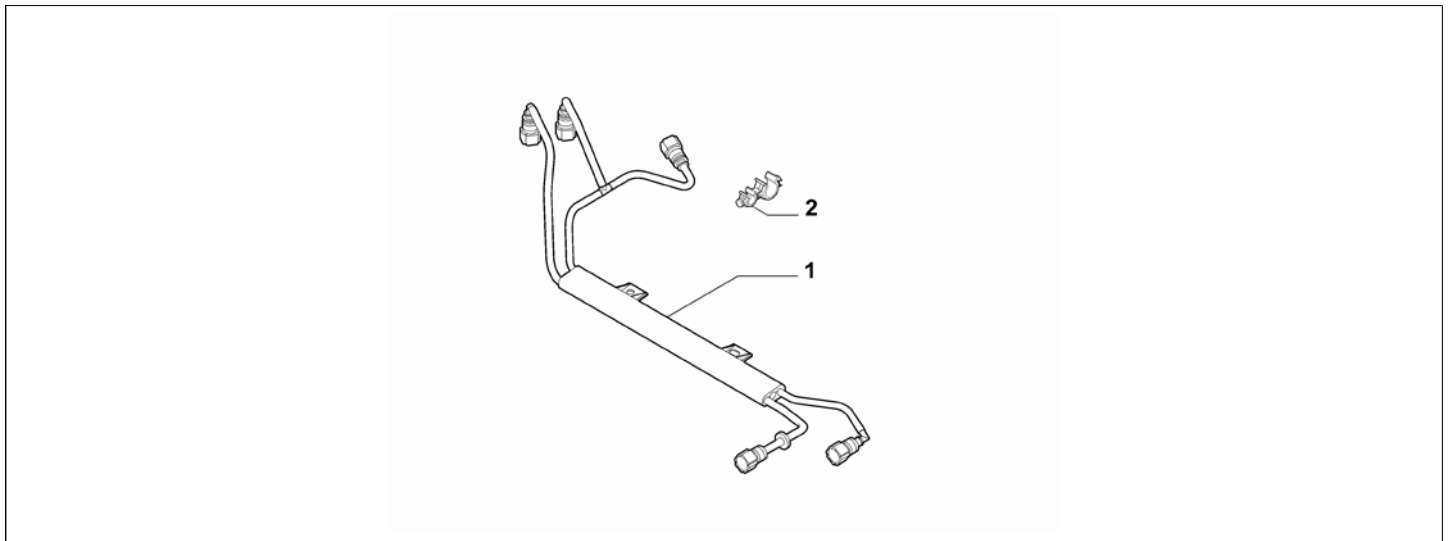
Catalogue	MITO 2011-2013	
Category	3.2 FUEL TANK PIPELINE	
Var.	03	1.6D
Rev.	00	



Part Num.	Description	Compatibility	Modif.	Qty	Notes	Col.	Reman.
1	51896919 PIPE	1.6D		1			
2	50516832 HOSE	1.6D		1			
3	51807568 CLIP	1.6D		1			

Legend	
1.6D	HORSE POWER (MARKET):1598

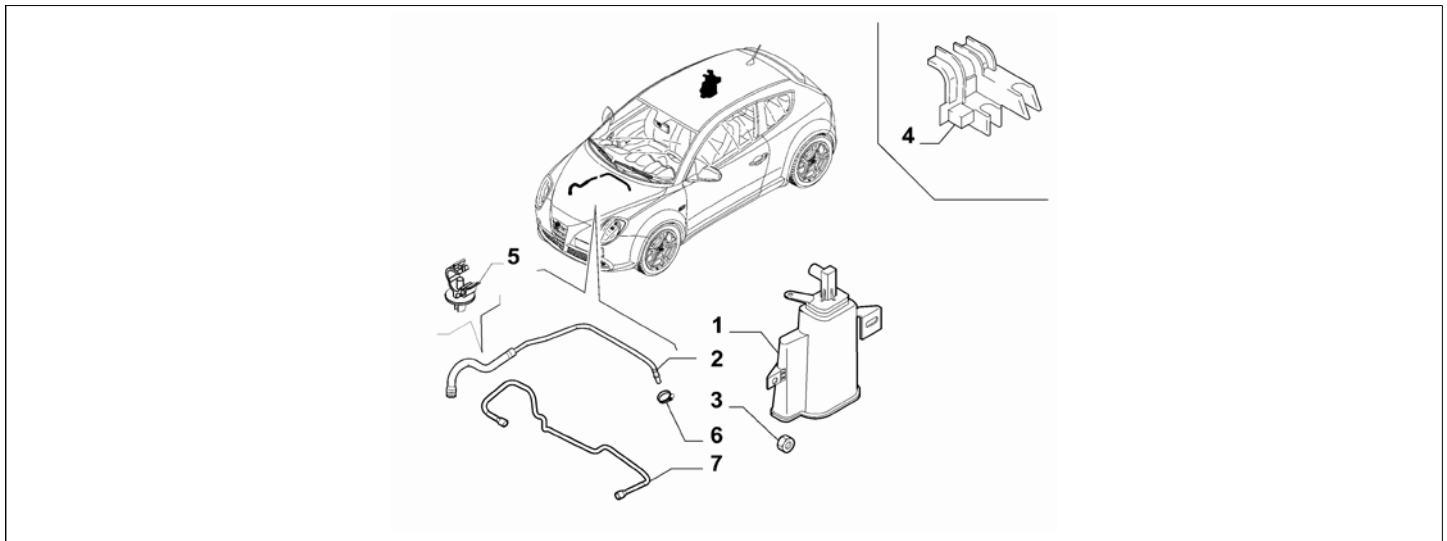
Catalogue	MITO 2011-2013	
Category	3.2 FUEL TANK PIPELINE	
Var.	04	875CC
Rev.	00	



Part Num.	Description	Compatibility	Modif.	Qty	Notes	Col.	Reman.
1	51909914 PIPE	875CC		1			
2	46817858 CLIP	875CC		1			

Legend	
875CC	HORSE POWER (MARKET):875

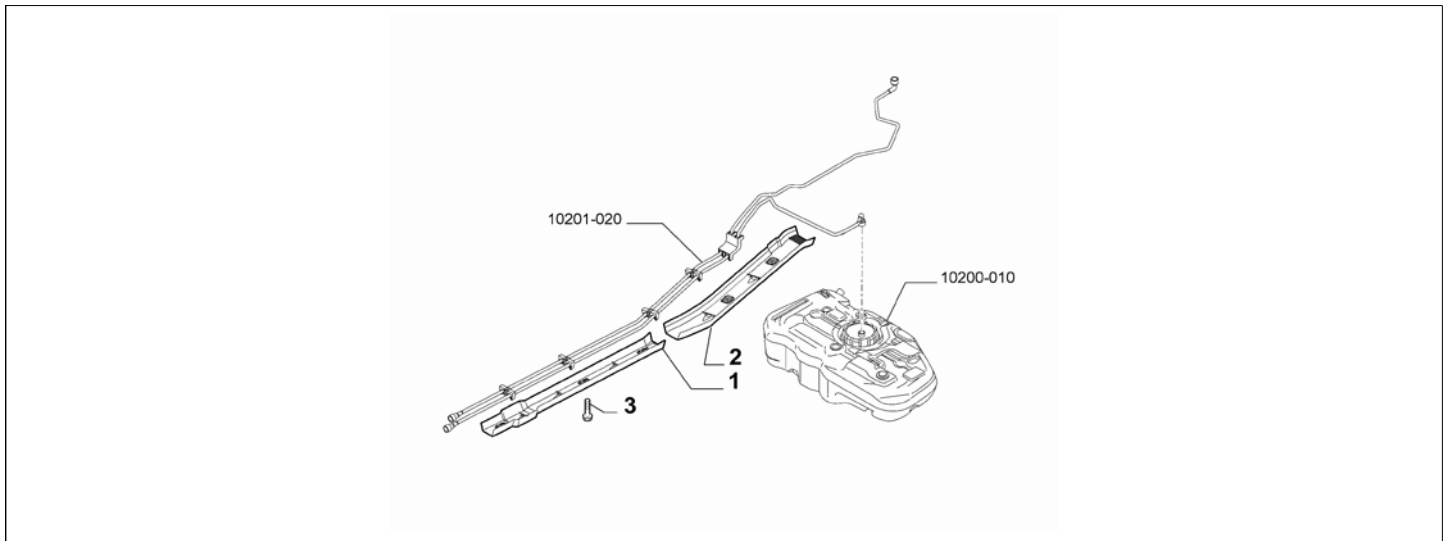
Catalogue	MITO 2011-2013	
Category	3.2 FUEL TANK PIPELINE	
Var.	01	PETROL
Rev.	00	



Part Num.	Description	Compatibility	Modif.	Qty	Notes	Col.	Reman.
1	50548825 VAPOR TRAP	PETROL		1			
2	51823827 HOSE	1.4+120HP		1			
2	50515640 HOSE	135HP, 170HP		1			
2	51891737 HOSE	120HP+EURO5		1			
2	51909915 HOSE	875CC		1			
3	14084711 NUT, M6	PETROL		2			
4	55702700 CLIP	PETROL		1			
5	50518293 CLIP	1.4+TURBO		1			
6	13125870 COLLAR	1.4+TURBO		1			
7	51790293 HOSE	8V		1			

Legend	
TURBO	(ASPIRATED/TURBO):TURBO
875CC	HORSE POWER (MARKET):875
1.4	HORSE POWER (MARKET):1370
PETROL	FUEL:PETROL
EURO5	ECOLOGY:LIM.ECC PHASE 5
170HP	POWER:1.4 FIRE 16V TURBO MULTIAIR 170HP EURO 5
120HP	POWER:1.6 JTD EURO5 -1.4 FIRE TRB EURO4 120CV
135HP	POWER:1.4 FIRE 16V TURBO MULTIAIR 135 HP EURO 5
8V	TOTAL NUMBER OF VALVES:8 VALVES

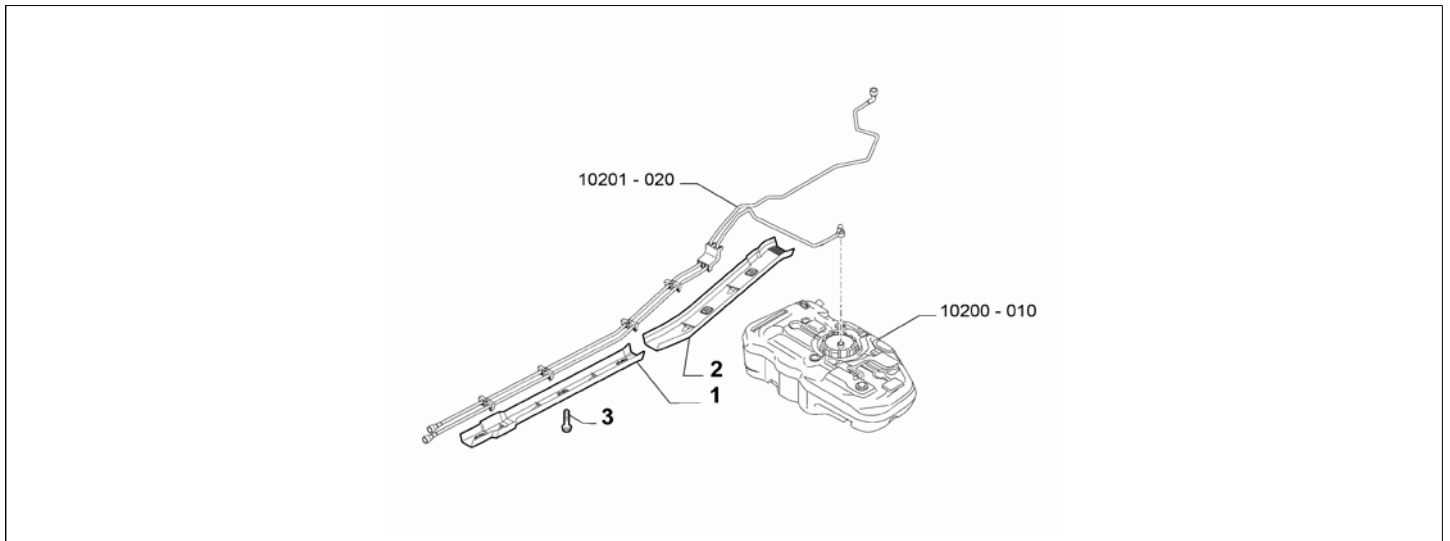
Catalogue	MITO 2011-2013	
Category	3.2 FUEL TANK PIPELINE	
Var.	02	1.4, 875CC
Rev.	00	



Part Num.	Description	Compatibility	Modif.	Qty	Notes	Col.	Reman.
1	55700074	PROTECTION, ANTERIORE	NOTURBO	1			
1	51852529	PROTECTION	875CC, 1.4+TURBO	1			
2	55700075	PROTECTION, REAR	NOTURBO	1			
2	51831011	PROTECTION	875CC, 1.4+TURBO	1			
3	60653974	SCREW		5			

Legend	
NOTURBO	(ASPIRATED/TURBO):EXHAUST FAN
TURBO	(ASPIRATED/TURBO):TURBO
875CC	HORSE POWER (MARKET):875
1.4	HORSE POWER (MARKET):1370

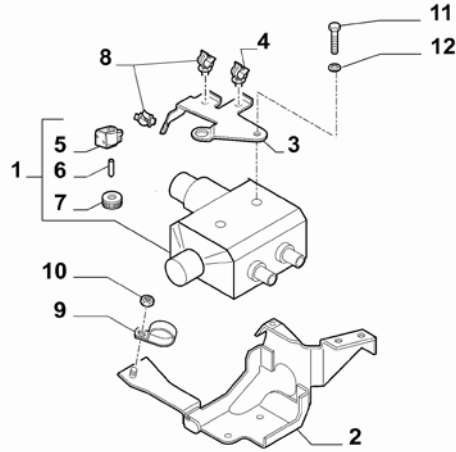
Catalogue	MITO 2011-2013	
Category	3.2 FUEL TANK PIPELINE	
Var.	03	1.3D
Rev.	00	



Part Num.	Description	Compatibility	Modif.	Qty	Notes	Col.	Reman.
1	55700074 PROTECTION, ANTERIORE	1.3D		1			
2	55700075 PROTECTION, REAR	1.3D		1			
3	60653974 SCREW	1.3D		5			

Legend	
1.3D	HORSE POWER (MARKET):1.3

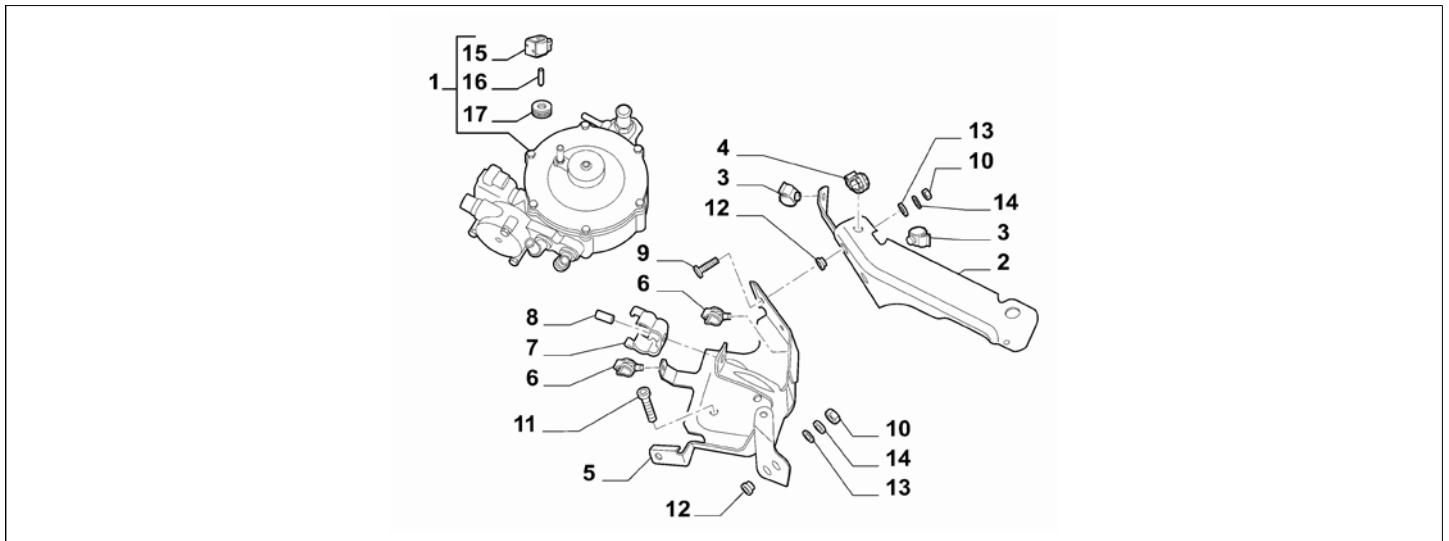
Catalogue	MITO 2011-2013	
Category	3.2 FUEL TANK PIPELINE	
Var.	01	LPG + EURO4
Rev.	00	



Part Num.	Description	Compatibility	Modif.	Qty	Notes	Col.	Reman.
1	71754624	PRESSURE REGULATOR		1			
2	71754627	BRACKET		1			
3	71754638	BRACKET		1			
4	82477422	CLIP, DIAMETER 40		1			
5	71753615	COIL		1			
6	71753618	ELECTRO-VALVE		1			
7	71753616	FILTER		1			
8	60593367	CLIP, DIAMETER 16		2			
9	71753540	COLLAR, DIAMETER 50		1			
10	14059311	NUT, M8		1			
11	71754636	SCREW, M6X14		3			
12	71753498	PLANE WASHER		3			

Legend	
LPG	LPG POWER SUPPLY (ITALY STANDARD)
EURO4	ECOLOGY:EEC LIM. STAGE 4

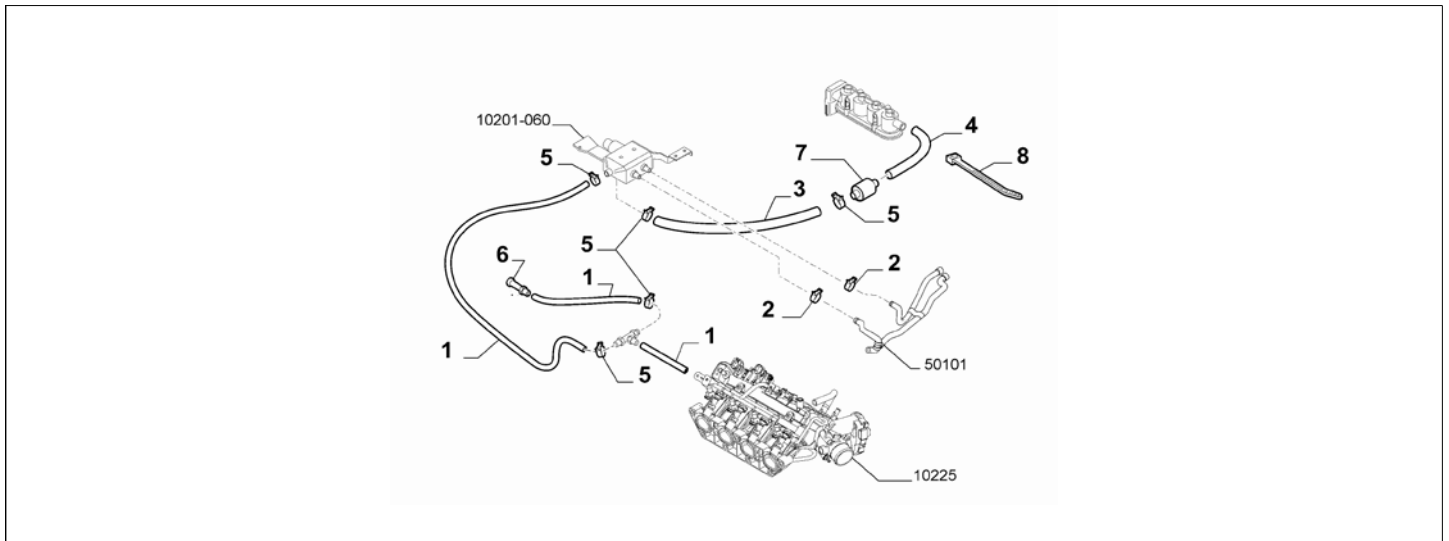
Catalogue	MITO 2011-2013	
Category	3.2 FUEL TANK PIPELINE	
Var.	02	LPG + EURO5
Rev.	00	



Part Num.	Description	Compatibility	Modif.	Qty	Notes	Col.	Reman.
1	71771639	PRESSURE REGULATOR		1			
2	71771637	BRACKET		1			
3	7728456	CLIP		6			
4	60601159	CLIP		1			
5	71771638	BRACKET		1			
6	51760781	CLIP		1			
7	1311695080	CLIP		1			
8	14123019	PIN, M5X14		1			
9	14141510	SCREW, M6X25		2			
10	14118711	NUT, M6		2			
11	18750624	SCREW, M6X25		2			
12	51874635	RESILIENT BUSH		4			
13	51874636	SPACER		4			
14	12640601	PLANE WASHER		4			
15	71771862	COIL		1			
16	71753618	ELECTRO-VALVE		1			
17	71771863	FILTER		1			

Legend	
LPG	LPG POWER SUPPLY (ITALY STANDARD)
EURO5	ECOLOGY:LIM.ECC PHASE 5

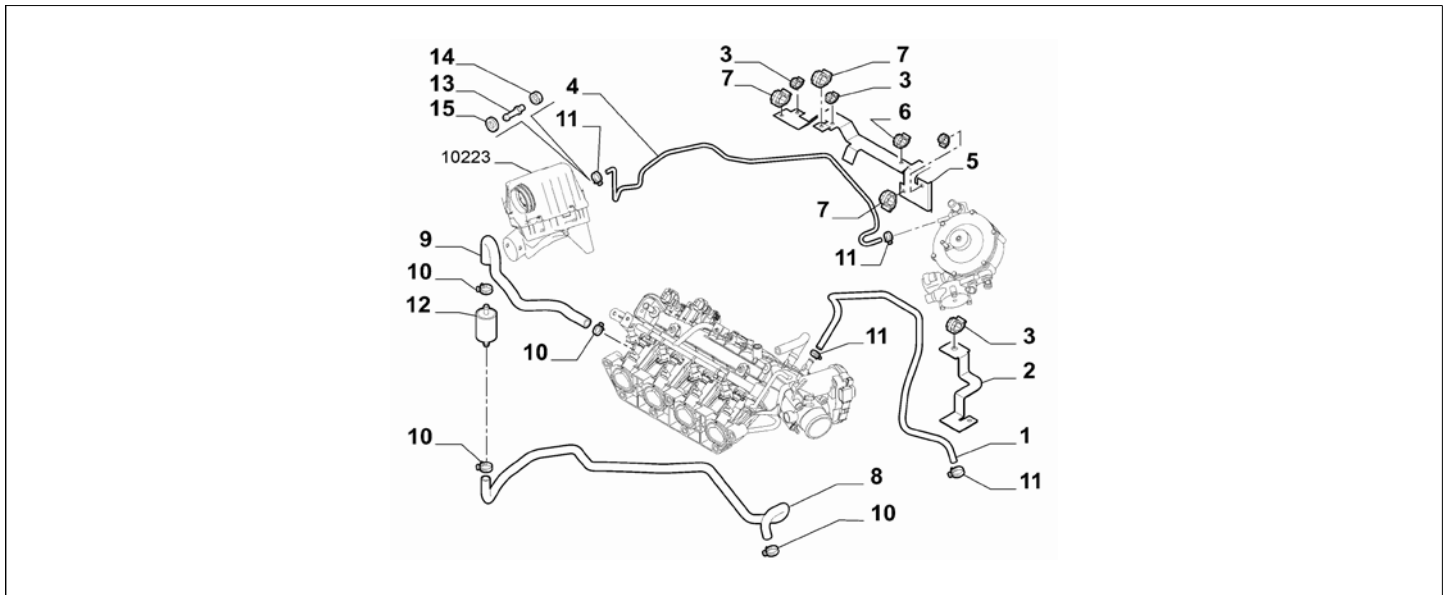
Catalogue	MITO 2011-2013	
Category	3.2 FUEL TANK PIPELINE	
Var.	01	LPG + EURO4
Rev.	00	



Part Num.	Description	Compatibility	Modif.	Qty	Notes	Col.	Reman.
1	71753541 SLEEVE, 1,5X10			1			
2	71753523 COLLAR, 55-95			1			
3	71754667 HOSE, L=50MM			1			
4	71754666 HOSE, L=500MM			1			
5	71753481 COLLAR, 96-205			1			
6	71753527 CONNECTION, M6X1			1			
7	71771069 GAS FILTER			1			
8	71753509 STRAP, 4X140			1			

Legend	
LPG	LPG POWER SUPPLY (ITALY STANDARD)
EURO4	ECOLOGY:EEC LIM. STAGE 4

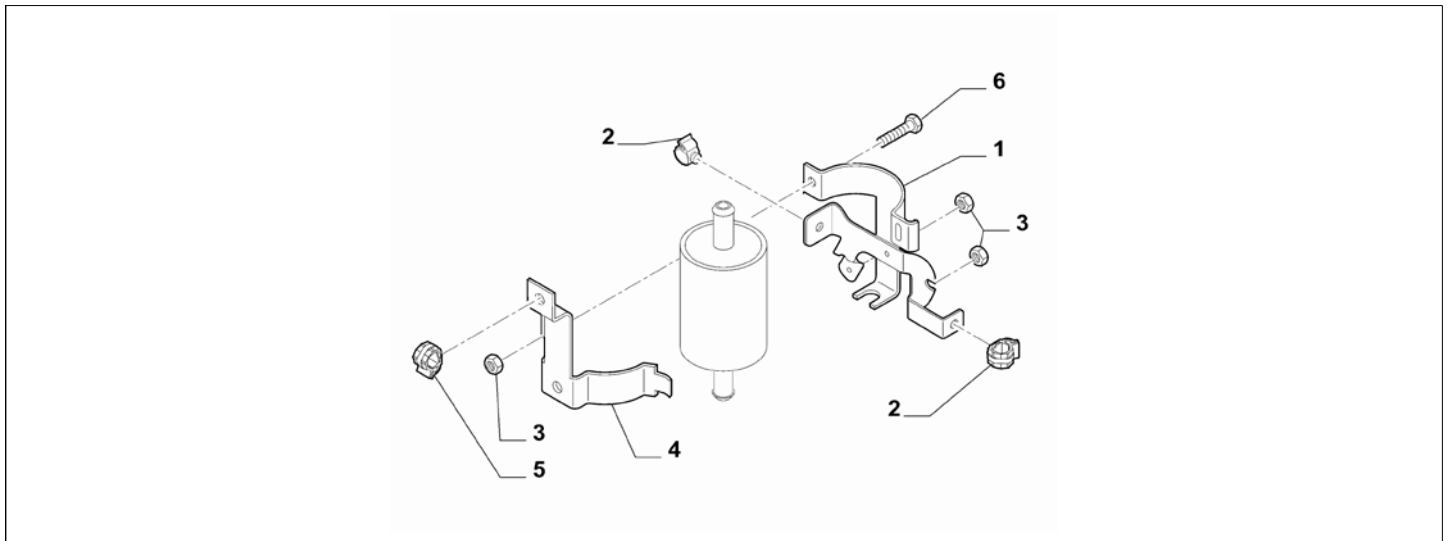
Catalogue	MITO 2011-2013	
Category	3.2 FUEL TANK PIPELINE	
Var.	02	LPG + EURO5
Rev.	00	



Part Num.	Description	Compatibility	Modif.	Qty	Notes	Col.	Reman.
1	71771632	PIPE		1			
2	71771631	BRACKET		1			
3	7728456	CLIP		4			
4	71771630	PIPE		1			
5	71771629	BRACKET		1			
6	55221735	CLIP		1			
7	60601159	CLIP		3			
8	71771633	PIPE		1			
9	71771634	PIPE		1			
10	13126270	COLLAR, D21,5		4			
11	13125170	COLLAR, M10X12.5		4			
12	51905867	GAS FILTER		1			
13	71770271	CONNECTION		1			
14	71770272	NUT		1			
15	71770273	PLANE WASHER		1			

Legend	
LPG	LPG POWER SUPPLY (ITALY STANDARD)
EURO5	ECOLOGY:LIM.ECC PHASE 5

Catalogue	MITO 2011-2013	
Category	3.2 FUEL TANK PIPELINE	
Var.	03	LPG + EURO5
Rev.	00	



Part Num.	Description	Compatibility	Modif.	Qty	Notes	Col.	Reman.
1	71771650 BRACKET			1			
2	7728456 CLIP			2			
3	14118711 NUT, M6			3			
4	71771651 BRACKET			1			
5	60601159 CLIP			1			
6	14082221 SCREW, M6X14			1			

Legend	
LPG	LPG POWER SUPPLY (ITALY STANDARD)
EURO5	ECOLOGY:LIM.ECC PHASE 5