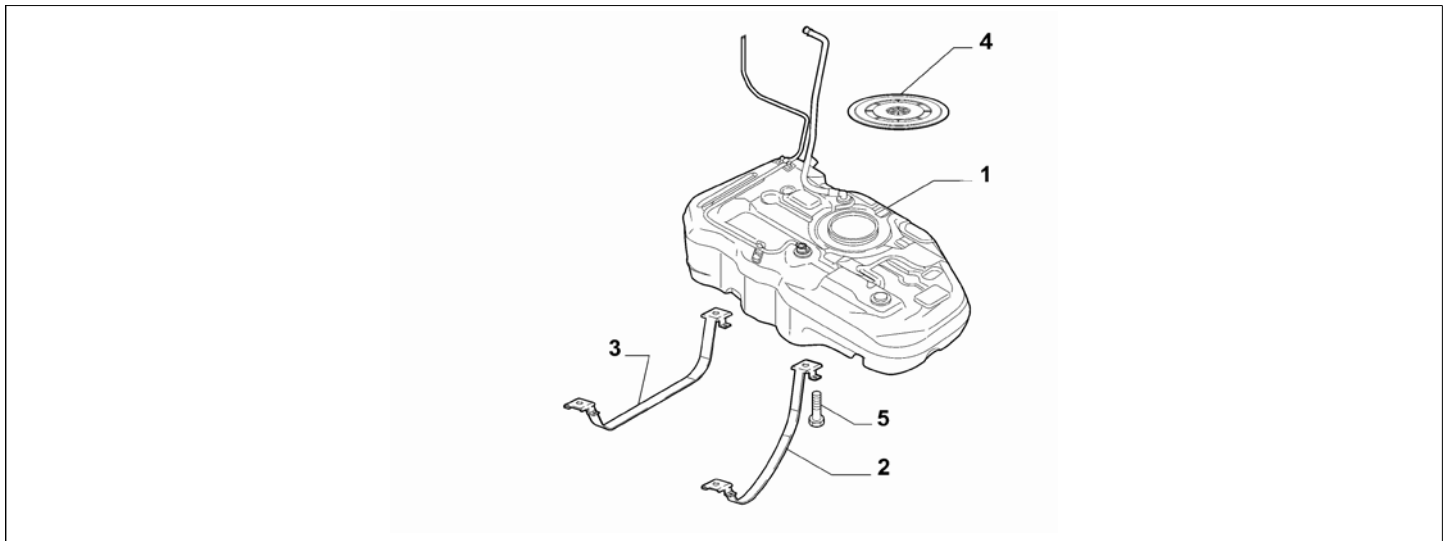


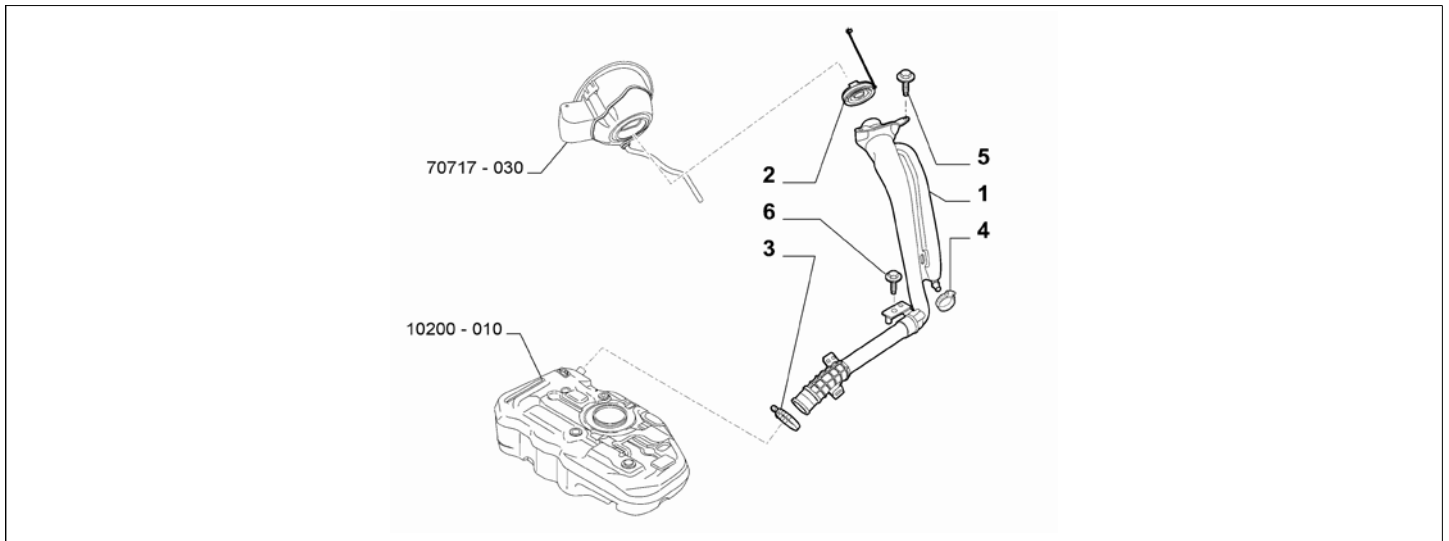
| | | |
|-----------|----------------|--|
| Catalogue | MITO 2011-2013 | |
| Category | 3.1 FUEL TANK | |
| Var. | 01 | |
| Rev. | 00 | |



| Part Num. | Description | Compatibility | Modif. | Qty | Notes | Col. | Reman. |
|-----------|-------------------------|------------------|--------|-----|-------|------|--------|
| 1 | 51802205 FUEL TANK | 1.3D, 1.6D | | 1 | | | |
| 1 | 50518560 FUEL TANK | NOTURBO | | 1 | | | |
| 1 | 50518636 FUEL TANK | 875CC, 1.4+TURBO | | 1 | | | |
| 2 | 55700363 BRACKET, RIGHT | | | 1 | | | |
| 3 | 55700364 BRACKET, LEFT | | | 1 | | | |
| 4 | 51739855 COVER | | | 1 | | | |
| 5 | 7760269 SCREW, M8X30 | | | 4 | | | |

| Legend | |
|---------|-------------------------------|
| NOTURBO | (ASPIRATED/TURBO):EXHAUST FAN |
| TURBO | (ASPIRATED/TURBO):TURBO |
| 875CC | HORSE POWER (MARKET):875 |
| 1.3D | HORSE POWER (MARKET):1.3 |
| 1.4 | HORSE POWER (MARKET):1370 |
| 1.6D | HORSE POWER (MARKET):1598 |

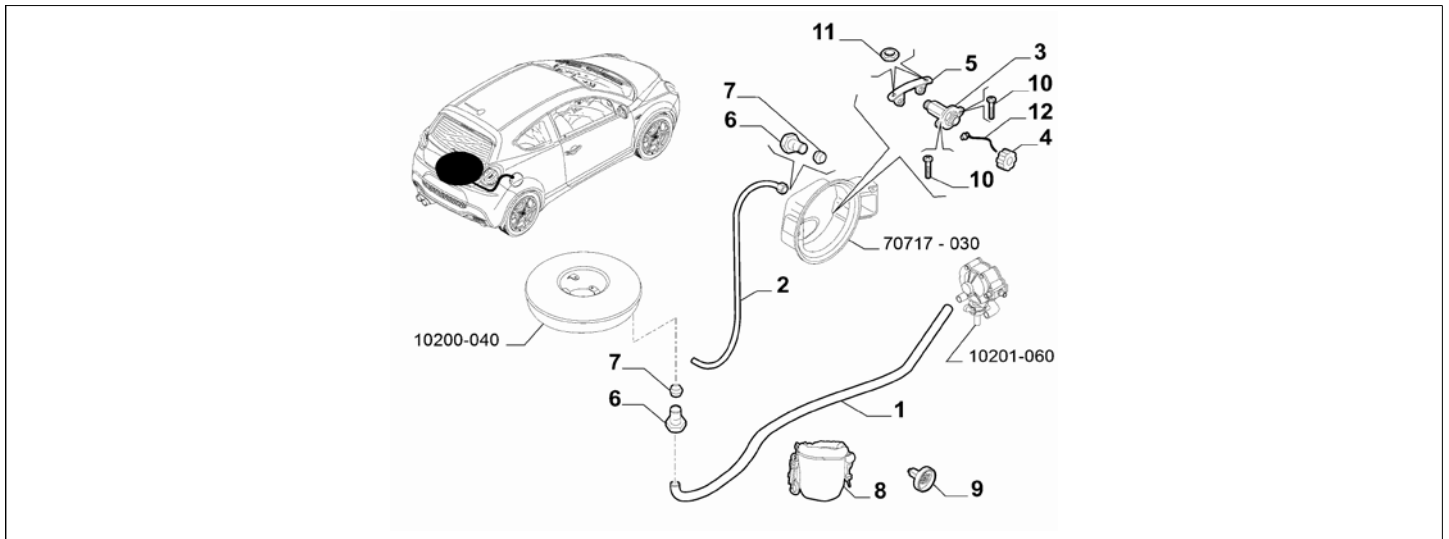
| | | |
|-----------|----------------|--|
| Catalogue | MITO 2011-2013 | |
| Category | 3.1 FUEL TANK | |
| Var. | 01 | |
| Rev. | 00 | |



| Part Num. | Description | Compatibility | Modif. | Qty | Notes | Col. | Reman. |
|-----------|-------------|---------------|--|-----|-------|------|--------|
| 1 | 50508464 | FILLER TUBE | PETROL+AM00, PETROL+AM23, PETROL+AM47, PETROL+AM87 | | 1 | | |
| 1 | 50508463 | FILLER TUBE | DIESEL+AM00, DIESEL+AM23, DIESEL+AM47, DIESEL+AM87 | | 1 | | |
| 1 | 50516882 | FILLER TUBE | AM26 | | 1 | | |
| 2 | 46785426 | CAP | DIESEL | | 1 | | |
| 2 | 46820586 | CAP | PETROL | | 1 | | |
| 3 | 13097490 | COLLAR | | | 1 | | |
| 4 | 13126170 | COLLAR | | | 1 | | |
| 5 | 46415697 | SCREW | | | 2 | | |
| 6 | 7760269 | SCREW | | | 1 | | |

| Legend | |
|--------|---------------------------------------|
| AM00 | MARKET VERSION:ITALY / CENTRAL EUROPE |
| AM23 | MARKET VERSION:AUSTRALIA |
| AM26 | MARKET VERSION:JAPAN |
| AM47 | MARKET VERSION:MEXICO |
| AM87 | MARKET VERSION:UK/EIRE |
| PETROL | FUEL:PETROL |
| DIESEL | FUEL:DIESEL |

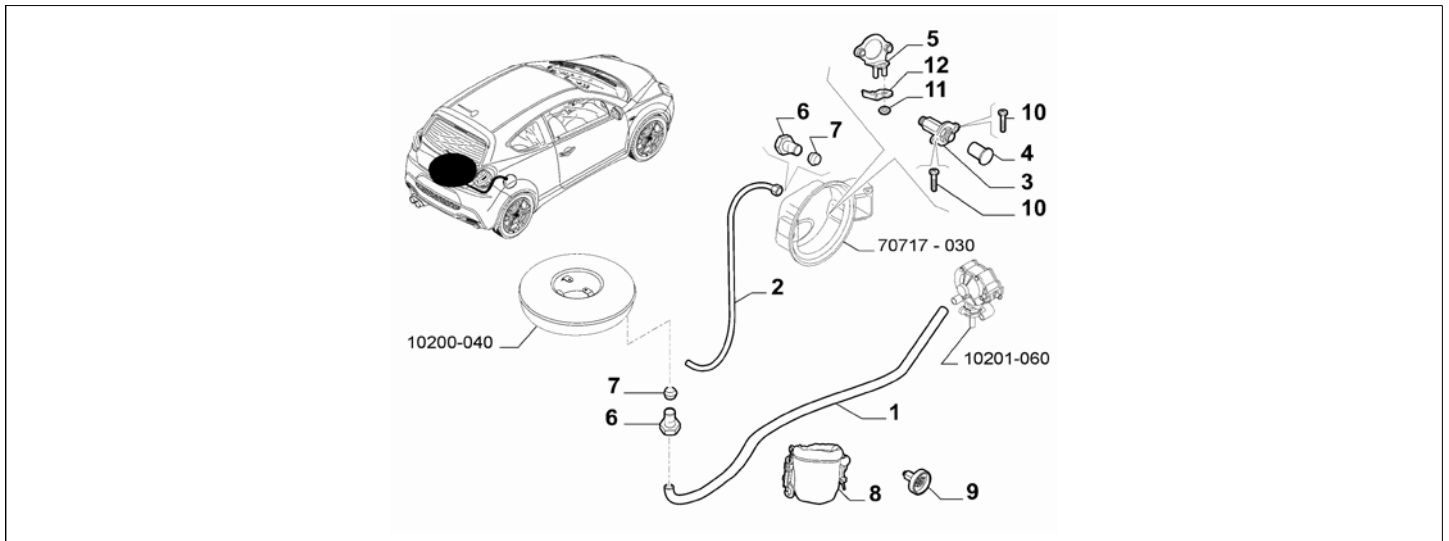
| | | |
|-----------|----------------|-------------|
| Catalogue | MITO 2011-2013 | |
| Category | 3.1 FUEL TANK | |
| Var. | 01 | LPG + EURO4 |
| Rev. | 00 | |



| Part Num. | Description | Compatibility | Modif. | Qty | Notes | Col. | Reman. |
|-----------|------------------------------|---------------|--------|-----|-------|------|--------|
| 1 | 71753503 PIPE, METRI 6 - 6X1 | | | 1 | | | |
| 2 | 71753504 PIPE, METRI 2 - 8X1 | | | 1 | | | |
| 3 | 71753632 UNION | | | 1 | | | |
| 4 | 71754515 PLUG | | | 1 | | | |
| 5 | 71753470 BRACKET | | | 1 | | | |
| 6 | 71753636 CONNECTION, 8 mm | | | 1 | | | |
| 7 | 71753635 SLEEVE, 8 mm | | | 1 | | | |
| 8 | 71753631 CONTAINER | | | 1 | | | |
| 9 | 71754394 ADAPTER | | | 1 | | | |
| 10 | 71753478 SCREW, M5X12 | | | 1 | | | |
| 11 | 71754622 NUT, M5 | | | 2 | | | |
| 12 | 6000627440 STRAP | | | 1 | | | |

| Legend | |
|--------|-----------------------------------|
| LPG | LPG POWER SUPPLY (ITALY STANDARD) |
| EURO4 | ECOLOGY:EEC LIM. STAGE 4 |

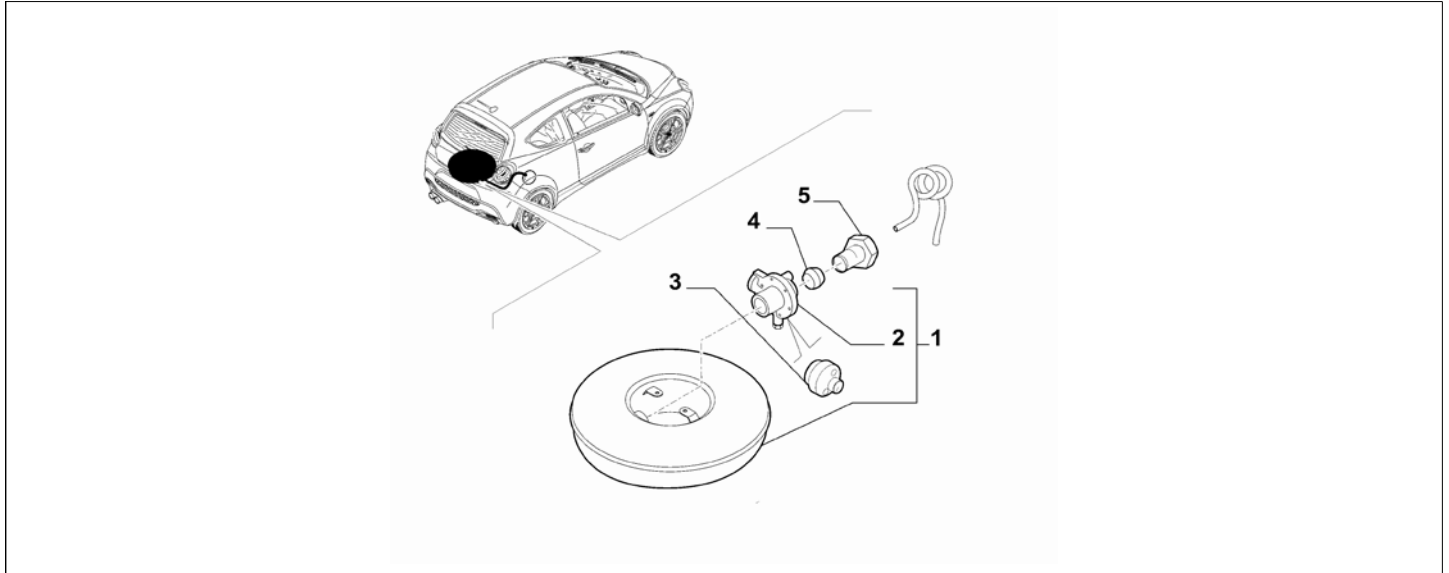
| | | |
|-----------|----------------|-------------|
| Catalogue | MITO 2011-2013 | |
| Category | 3.1 FUEL TANK | |
| Var. | 02 | LPG + EURO5 |
| Rev. | 00 | |



| Part Num. | Description | Compatibility | Modif. | Qty | Notes | Col. | Reman. |
|-----------|-------------|---------------------|--------|-----|---|------|--------|
| 1 | 71753503 | PIPE, METRI 6 - 6X1 | | 1 | | | |
| 2 | 71753504 | PIPE, METRI 2 - 8X1 | | 1 | | | |
| 3 | 71769842 | UNION | | 1 | | | |
| 4 | 71754515 | PLUG | | 1 | | | |
| 5 | 71771652 | BRACKET | | 1 | | | |
| 6 | 71753636 | CONNECTION, 8 mm | | 1 | | | |
| 7 | 71753635 | SLEEVE, 8 mm | | 1 | | | |
| 8 | 71753631 | CONTAINER | | 1 | | | |
| 9 | 71769866 | ADAPTER | | 1 | ITALY, FRANCE, DENMARK, GREECE, HUNGARY, CROATIA, ESTONIA, LITHUANIA, MACEDONIA, POLAND, PORTUGAL, SWEDEN, ROMANIA, SLOVAKIA, SLOVENIA, TURKEY, UKRAINE | | |
| 9 | 71773331 | ADAPTER | | 1 | GERMANY, BELGIUM, AUSTRIA, IRELAND LUXEMBOURG, | | |
| 9 | 71773333 | ADAPTER | | 1 | ENGLAND, SPAIN, NETHERLANDS, NORWAY SWITZERLAND, | | |
| 10 | 71753478 | SCREW, M5X12 | | 1 | | | |
| 11 | 71754622 | NUT, M5 | | 2 | | | |
| 12 | 71771653 | BRACKET | | 1 | | | |

| Legend | |
|--------|-----------------------------------|
| LPG | LPG POWER SUPPLY (ITALY STANDARD) |
| EURO5 | ECOLOGY:LIM.ECC PHASE 5 |

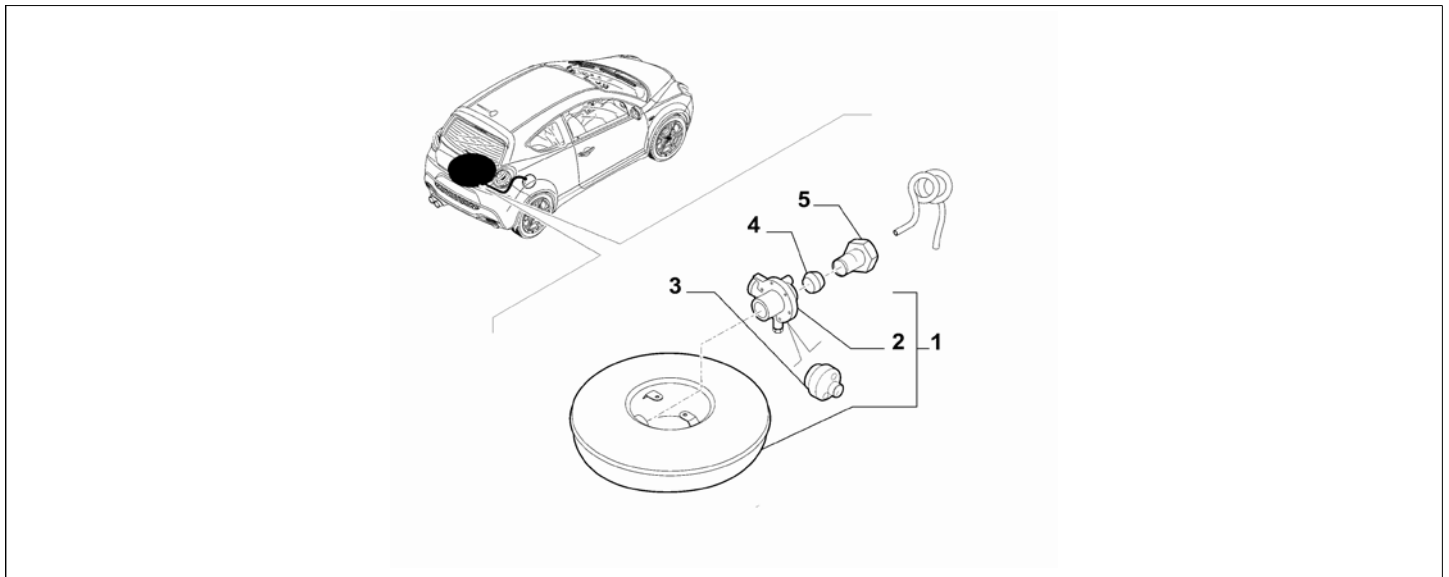
| | | |
|-----------|----------------|-------------|
| Catalogue | MITO 2011-2013 | |
| Category | 3.1 FUEL TANK | |
| Var. | 01 | LPG + EURO4 |
| Rev. | 00 | |



| Part Num. | Description | Compatibility | Modif. | Qty | Notes | Col. | Reman. |
|-----------|-----------------------|---------------|--------|-----|-------|------|--------|
| 1 | 71753463 GAS CYLINDER | | | 1 | | | |
| 2 | 71753617 COIL | | | 1 | | | |
| 3 | 71754392 SENSOR | | | 1 | | | |
| 4 | 71753487 SLEEVE, 6 mm | | | 1 | | | |
| 5 | 71753488 CONNECTION | | | 1 | | | |

| Legend | |
|--------|-----------------------------------|
| LPG | LPG POWER SUPPLY (ITALY STANDARD) |
| EURO4 | ECOLOGY:EEC LIM. STAGE 4 |

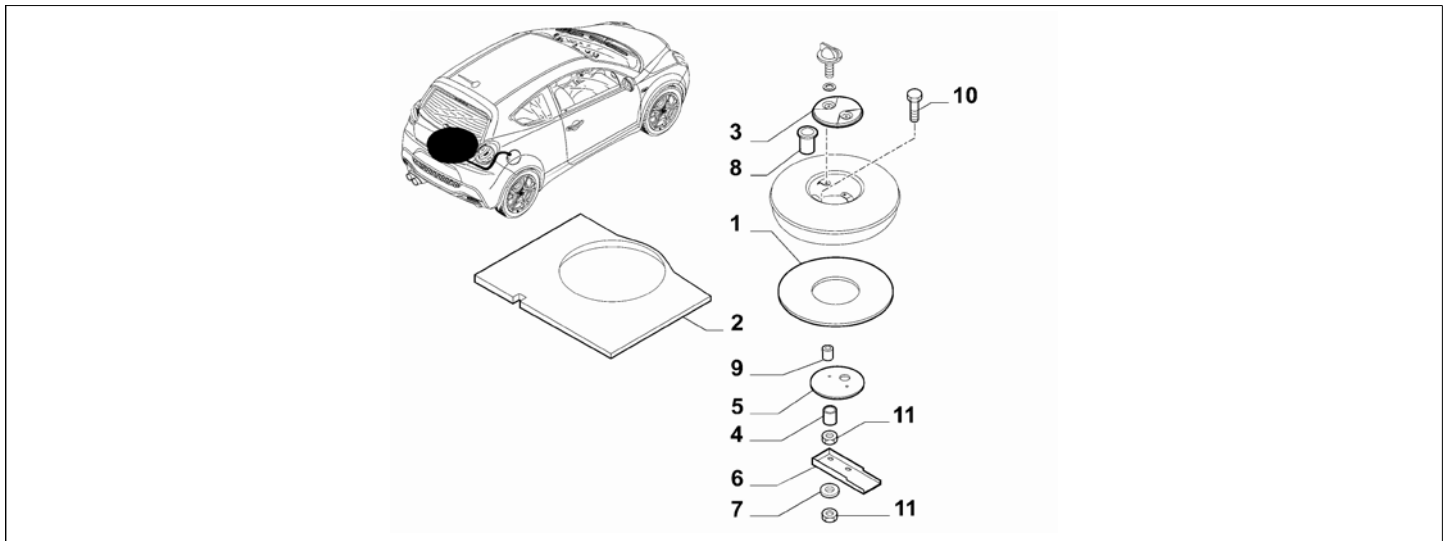
| | | |
|-----------|----------------|-------------|
| Catalogue | MITO 2011-2013 | |
| Category | 3.1 FUEL TANK | |
| Var. | 02 | LPG + EURO5 |
| Rev. | 00 | |



| Part Num. | Description | Compatibility | Modif. | Qty | Notes | Col. | Reman. |
|-----------|-----------------------|---------------|--------|-----|-------|------|--------|
| 1 | 71771859 GAS CYLINDER | | | 1 | | | |
| 2 | 71771860 COIL | | | 1 | | | |
| 3 | 71771621 LEVEL GAUGE | | | 1 | | | |
| 4 | 71753487 SLEEVE, 6 mm | | | 1 | | | |
| 5 | 71753488 CONNECTION | | | 1 | | | |

| Legend | |
|--------|-----------------------------------|
| LPG | LPG POWER SUPPLY (ITALY STANDARD) |
| EURO5 | ECOLOGY:LIM.ECC PHASE 5 |

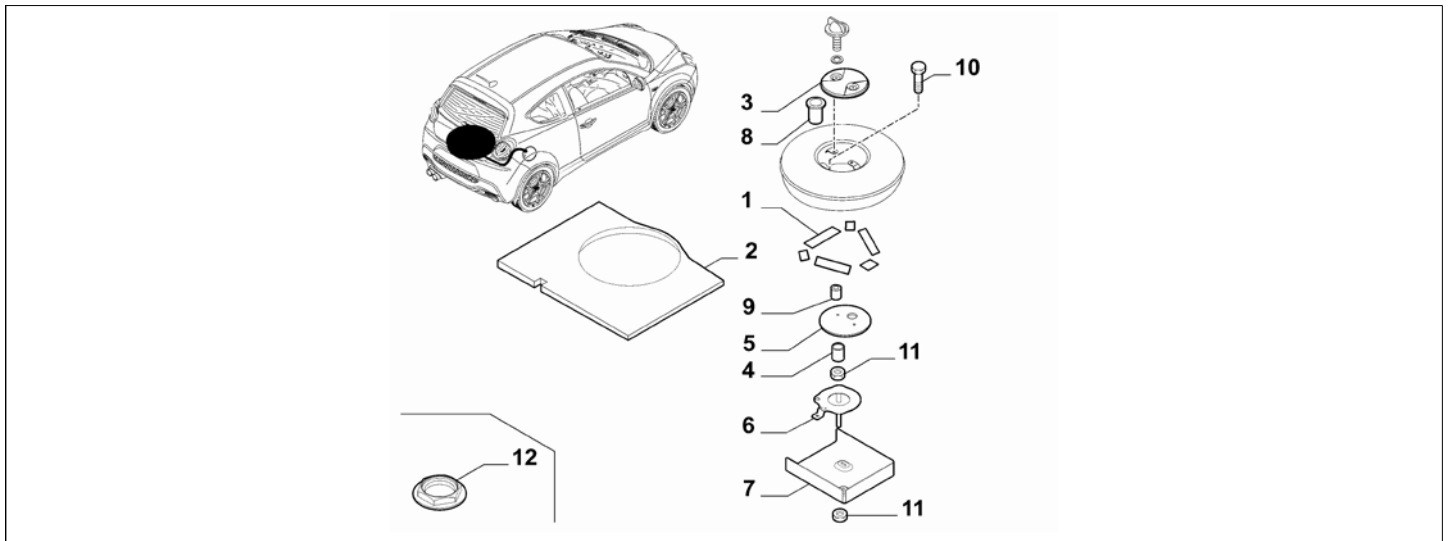
| | | |
|-----------|----------------|-------------|
| Catalogue | MITO 2011-2013 | |
| Category | 3.1 FUEL TANK | |
| Var. | 01 | LPG + EURO4 |
| Rev. | 00 | |



| Part Num. | Description | Compatibility | Modif. | Qty | Notes | Col. | Reman. |
|-----------|------------------------------------|---------------|--------|-----|-------|------|--------|
| 1 | 71753512 INSULATOR | | | 1 | | | |
| 2 | 71754625 INSULATOR | | | 1 | | | |
| 3 | 71753614 COVER | | | 1 | | | |
| 4 | 71753477 BUSH | | | 2 | | | |
| 5 | 71753473 BRACKET | | | 1 | | | |
| 6 | 71753472 BRACKET | | | 1 | | | |
| 7 | 71753494 PLANE WASHER, 10,5X30X2.5 | | | 2 | | | |
| 8 | 71753525 CONNECTION | | | 1 | | | |
| 9 | 71753476 BUSH, 30X12X50 | | | 2 | | | |
| 10 | 71753517 SCREW, M10X1,5X120 | | | 2 | | | |
| 11 | 71754660 NUT, M10 | | | 1 | | | |

| Legend | |
|--------|-----------------------------------|
| LPG | LPG POWER SUPPLY (ITALY STANDARD) |
| EURO4 | ECOLOGY:EEC LIM. STAGE 4 |

| | | |
|-----------|----------------|-------------|
| Catalogue | MITO 2011-2013 | |
| Category | 3.1 FUEL TANK | |
| Var. | 02 | LPG + EURO5 |
| Rev. | 00 | |



| Part Num. | Description | Compatibility | Modif. | Qty | Notes | Col. | Reman. |
|-----------|-------------|--------------------|--------|-----|-------|------|--------|
| 1 | 71771861 | KIT | | 1 | | | |
| 2 | 71754625 | INSULATOR | | 1 | | | |
| 3 | 71753614 | COVER | | 1 | | | |
| 4 | 71753477 | BUSH | | 2 | | | |
| 5 | 71753473 | BRACKET | | 1 | | | |
| 6 | 51888969 | PLATE | | 1 | | | |
| 7 | 51887604 | PROTECTION | | 1 | | | |
| 8 | 71753525 | CONNECTION | | 1 | | | |
| 9 | 71753476 | BUSH, 30X12X50 | | 2 | | | |
| 10 | 71753517 | SCREW, M10X1,5X120 | | 2 | | | |
| 11 | 18750224 | SCREW, M16X16 | | 1 | | | |
| 12 | 51888968 | PLUG | | 1 | | | |

| Legend | |
|--------|-----------------------------------|
| LPG | LPG POWER SUPPLY (ITALY STANDARD) |
| EURO5 | ECOLOGY:LIM.ECC PHASE 5 |