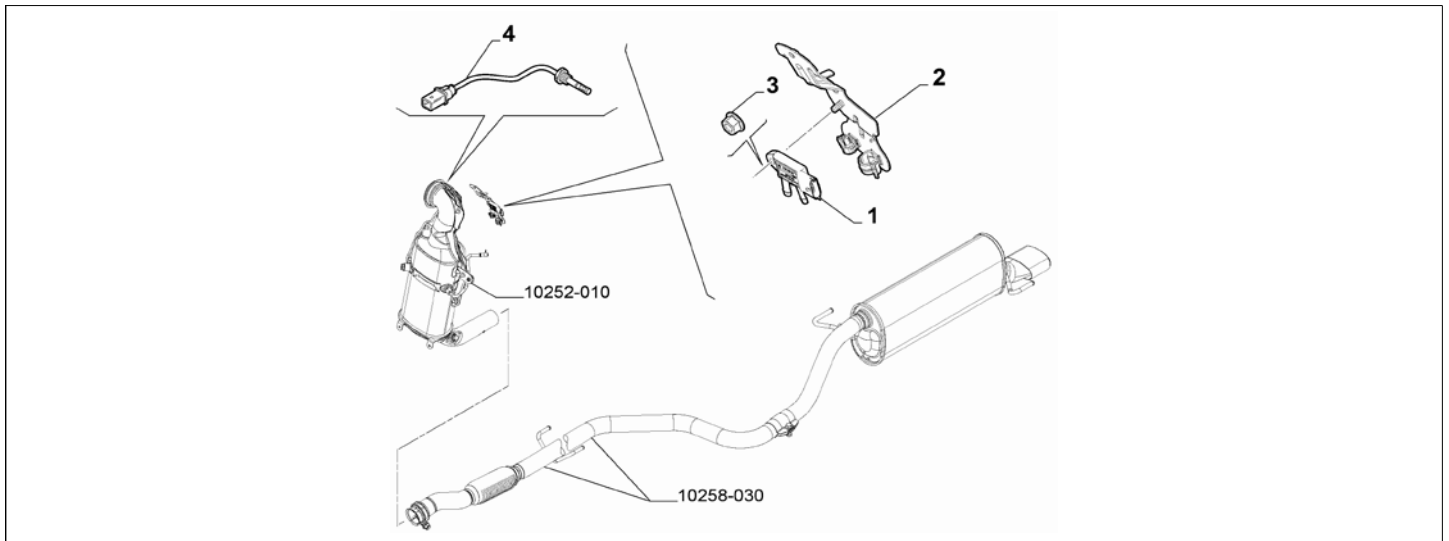


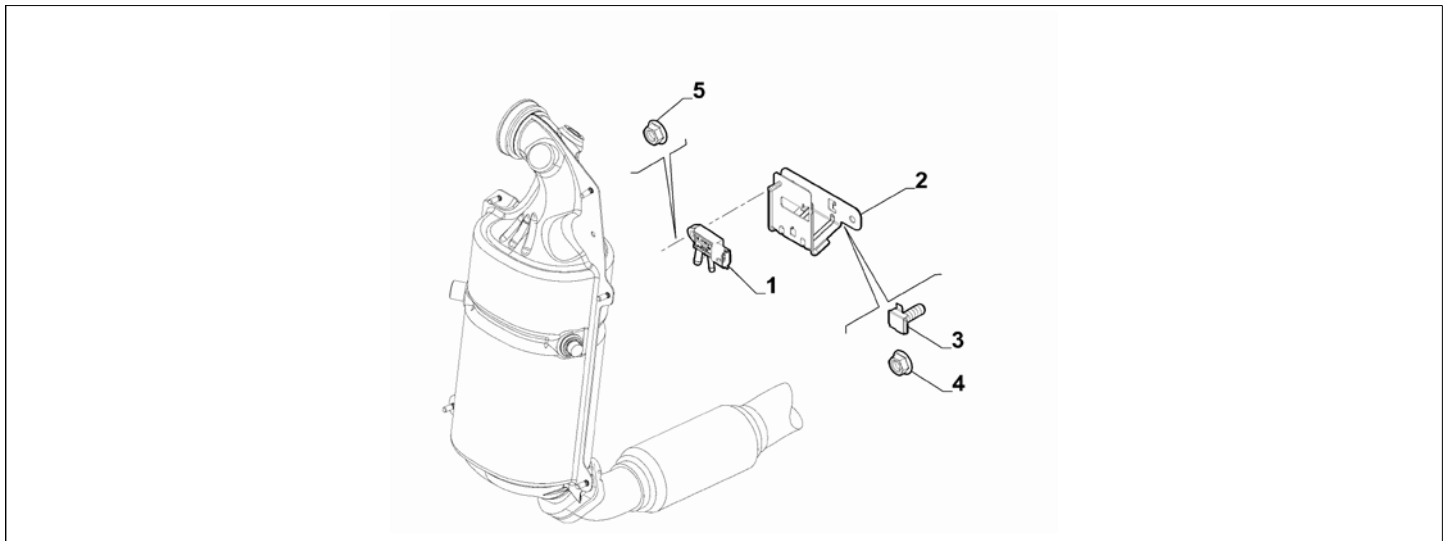
Catalogue	MITO 2011-2013	
Category	3.14 ANTI-POLLUTION SYSTEM	
Var.	01	1.3D
Rev.	00	



Part Num.	Description	Compatibility	Modif.	Qty	Notes	Col.	Reman.
1	51908411 SENSOR			1			
2	51816521 BRACKET			1			
3	811900439 NUT			3			
4	51825680 SENSOR			1			

Legend	
1.3D	HORSE POWER (MARKET):1.3

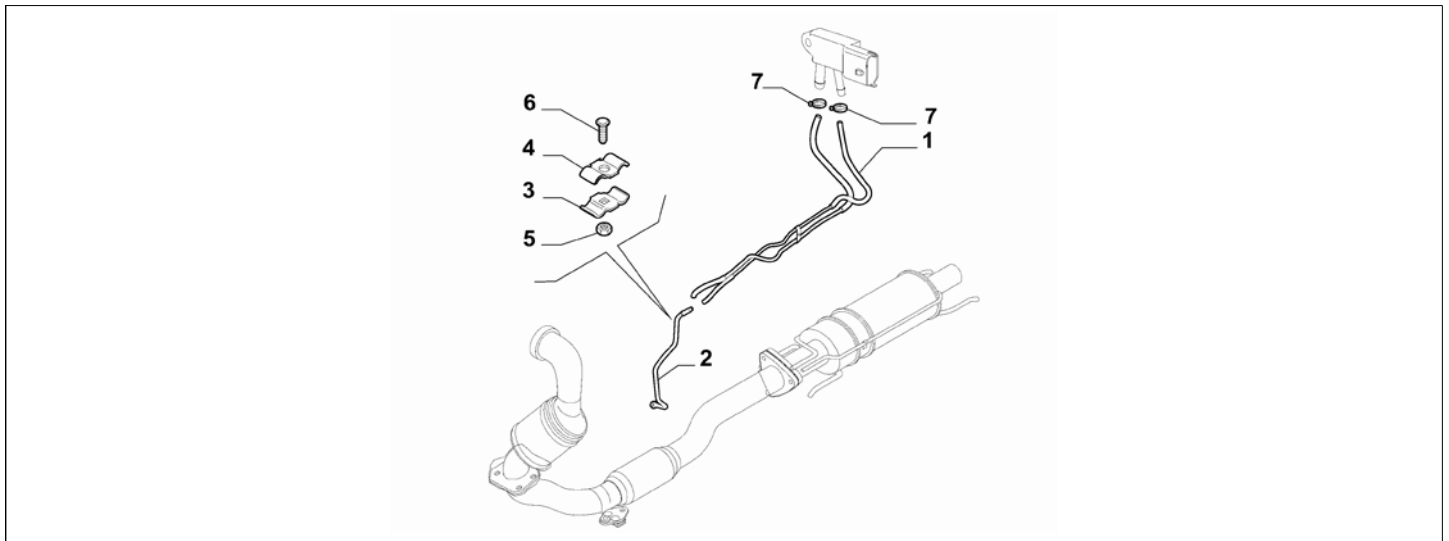
Catalogue	MITO 2011-2013	
Category	3.14 ANTI-POLLUTION SYSTEM	
Var.	02	1.6D
Rev.	00	



Part Num.	Description	Compatibility	Modif.	Qty	Notes	Col.	Reman.
1	51908411 SENSOR			1			
2	50517563 BRACKET			1			
3	14662690 SCREW			1			
4	14059211 NUT			1			
5	14059210 NUT			1			

Legend	
1.6D	HORSE POWER (MARKET):1598

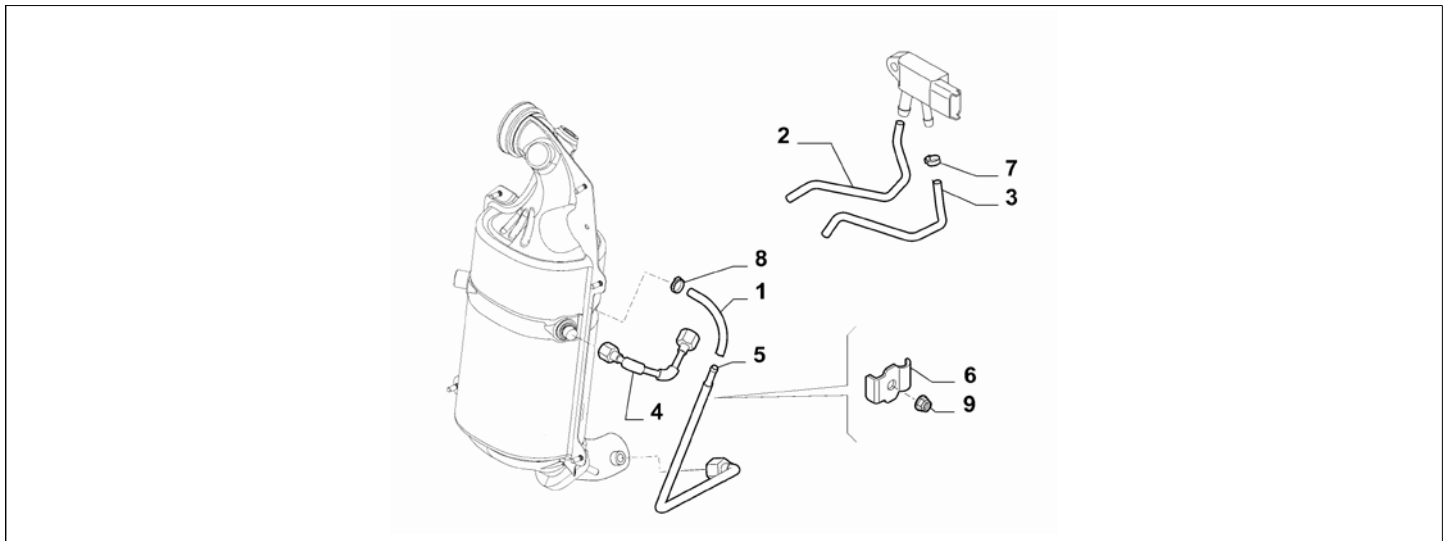
Catalogue	MITO 2011-2013	
Category	3.14 ANTI-POLLUTION SYSTEM	
Var.	01	1.3D
Rev.	00	



Part Num.	Description	Compatibility	Modif.	Qty	Notes	Col.	Reman.
1	51873200 HOSE		C16059	1			
1	51908674 HOSE		D16059	1			
2	51868879 PIPE			1			
3	1357724080 BRACKET			1			
4	1357725080 BRACKET			1			
5	14058311 NUT			1			
6	11612824 SCREW AND WASHER ASSY			2			
7	13125170 COLLAR, DIAM 10-12,5			2			
7	13125370 COLLAR, DIAM. 12-13			2			

Legend	
1.3D	HORSE POWER (MARKET):1.3
16059	Product improvement [DAT 16/11/2012]

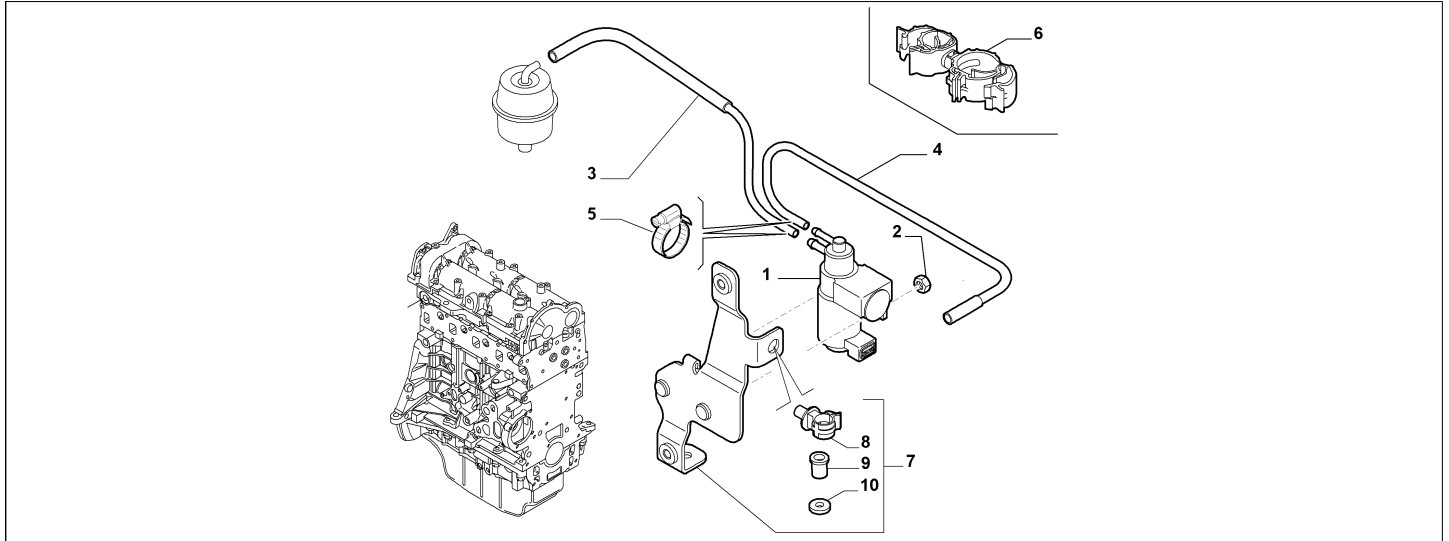
Catalogue	MITO 2011-2013	
Category	3.14 ANTI-POLLUTION SYSTEM	
Var.	02	1.6D
Rev.	00	



Part Num.	Description	Compatibility	Modif.	Qty	Notes	Col.	Reman.
1	51822112 HOSE			1			
2	50517398 HOSE, INGRESSO			1			
3	50517397 HOSE, USCITA			1			
4	50527858 PIPE			1			
5	50527859 PIPE			1			
6	51779223 BRACKET			1			
7	13125370 COLLAR, DIAM. 12-13			2			
7	13125470 COLLAR, DIAM 13-14			2			
8	13125170 COLLAR, DIAM. 10-12.5			2			
9	14058311 NUT			1			

Legend	
1.6D	HORSE POWER (MARKET):1598

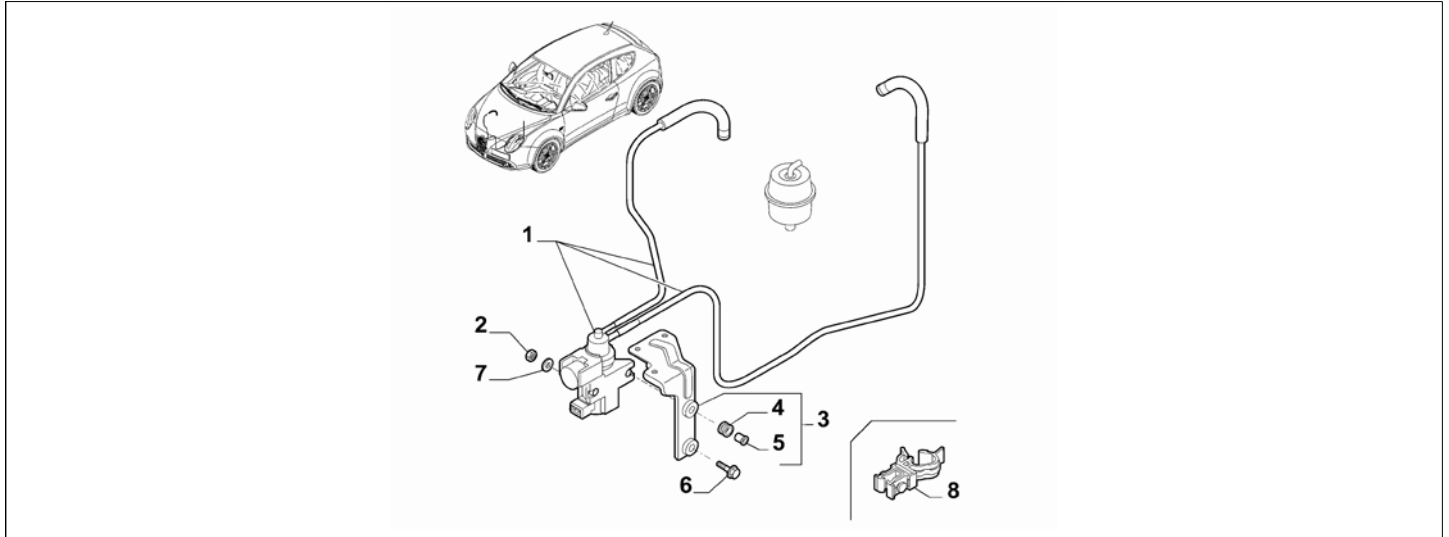
Catalogue	MITO 2011-2013	
Category	3.14 ANTI-POLLUTION SYSTEM	
Var.	01	1.3D
Rev.	00	



Part Num.	Description	Compatibility	Modif.	Qty	Notes	Col.	Reman.
1	55256638 ELECTRO-VALVE			1			
2	13046114 NUT			2			
3	51816518 HOSE			1			
4	51879296 SLEEVE			1			
5	13432070 COLLAR, DIAM 13,3			1			
6	46822100 CLIP			1			
7	51816522 BRACKET			1			
8	7723707 CLIP			1			
9	46445134 SPACER			2			
10	4130912 PAD			2			

Legend	
1.3D	HORSE POWER (MARKET):1.3

Catalogue	MITO 2011-2013	
Category	3.14 ANTI-POLLUTION SYSTEM	
Var.	02	1.6D
Rev.	00	



Part Num.	Description	Compatibility	Modif.	Qty	Notes	Col.	Reman.
1	50518665 ELECTRO-VALVE			1			
2	14059911 NUT			2			
3	50518721 BRACKET			1			
4	46445134 SPACER			2			
5	4130912 PAD			2			
6	16286324 SCREW			2			
7	12647721 PLANE WASHER			2			
8	46458685 CLIP			3			

Legend	
1.6D	HORSE POWER (MARKET):1598