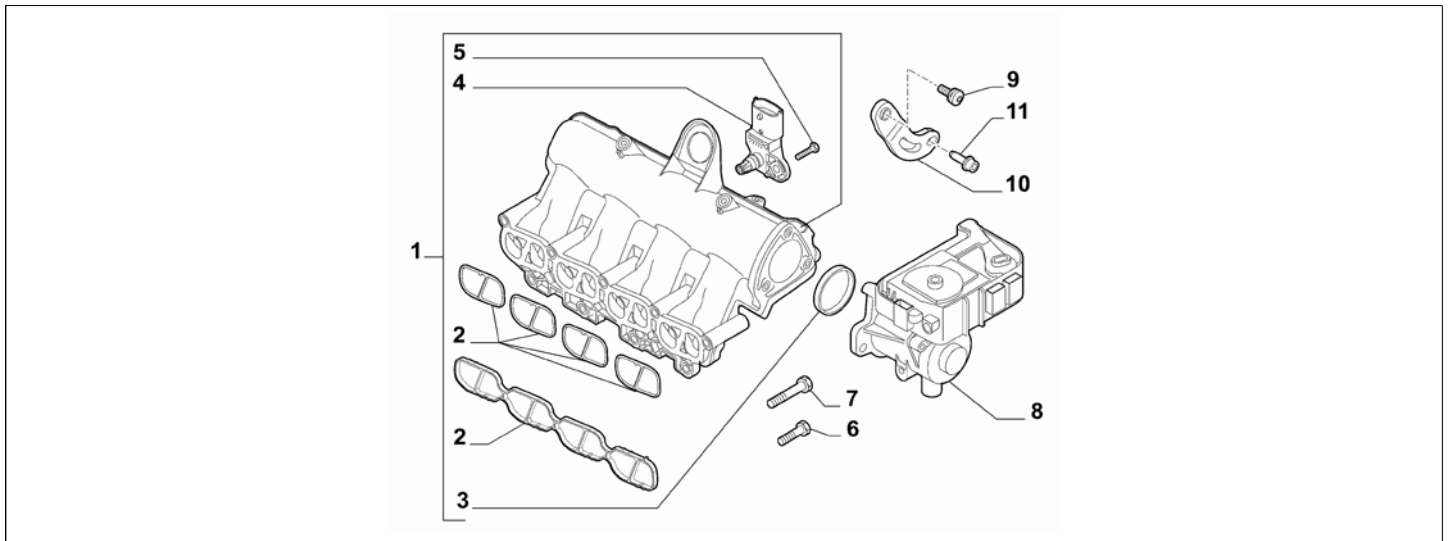


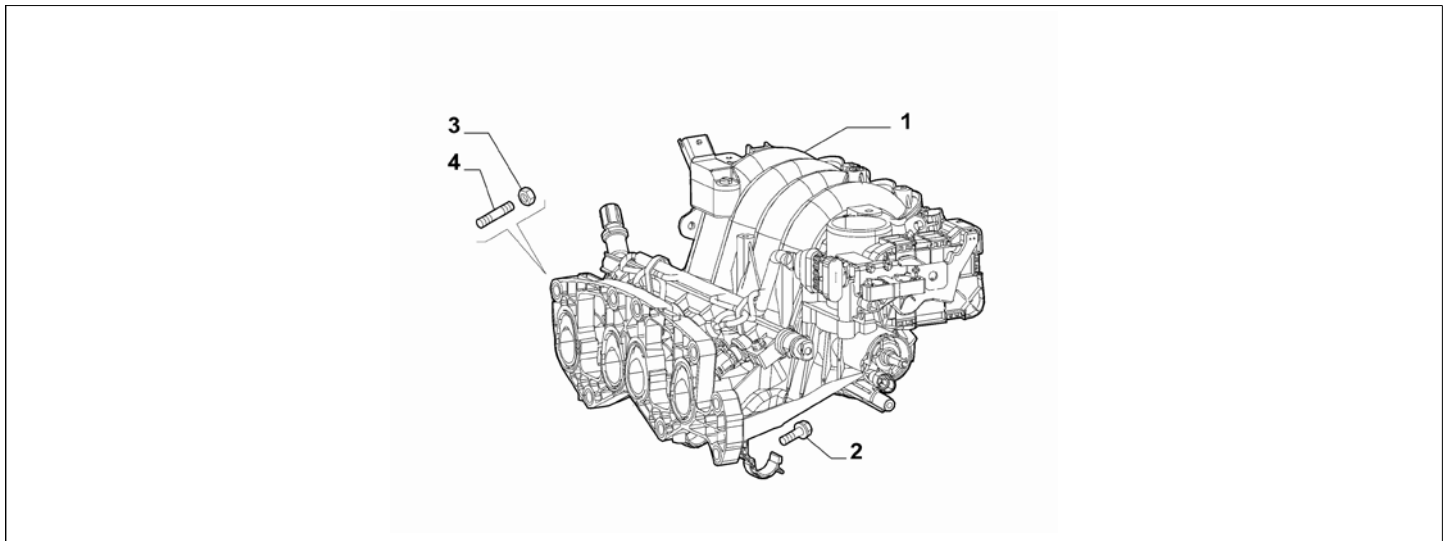
Catalogue	MITO 2011-2013	
Category	3.10 INTAKE MANIFOLD	
Var.	01	1.3D + DIESEL + (95HP, 85HP) + EURO5
Rev.	00	



Part Num.	Description	Compatibility	Modif.	Qty	Notes	Col.	Reman.
1	55231287 INTAKE MANIFOLD			01			
2	71749369 SEAL GASKET, 4 PIECES			04	RED		
2	73501362 SEAL GASKET, ONE PIECE			04	GREEN		
3	71748758 SEAL GASKET			01			
4	55219298 SENDING UNIT			01			
5	71749370 SCREW			01			
6	73502574 SCREW AND WASHER ASSY, M8X30			04			
7	55186966 SCREW, M8X70			05			
8	51814492 RIGHT THROTTLE BODY			1			71797045
9	51814493 SCREW			3			
10	55253785 BRACKET			1			
11	11568127 SCREW			1			
11	11568427 SCREW			1			

Legend	
1.3D	HORSE POWER (MARKET):1.3
DIESEL	FUEL:DIESEL
EURO5	ECOLOGY:LIM.ECC PHASE 5
85HP	POWER:1.3 SDE 85HP EURO5
95HP	POWER:1.3 SDE 95HP EURO5

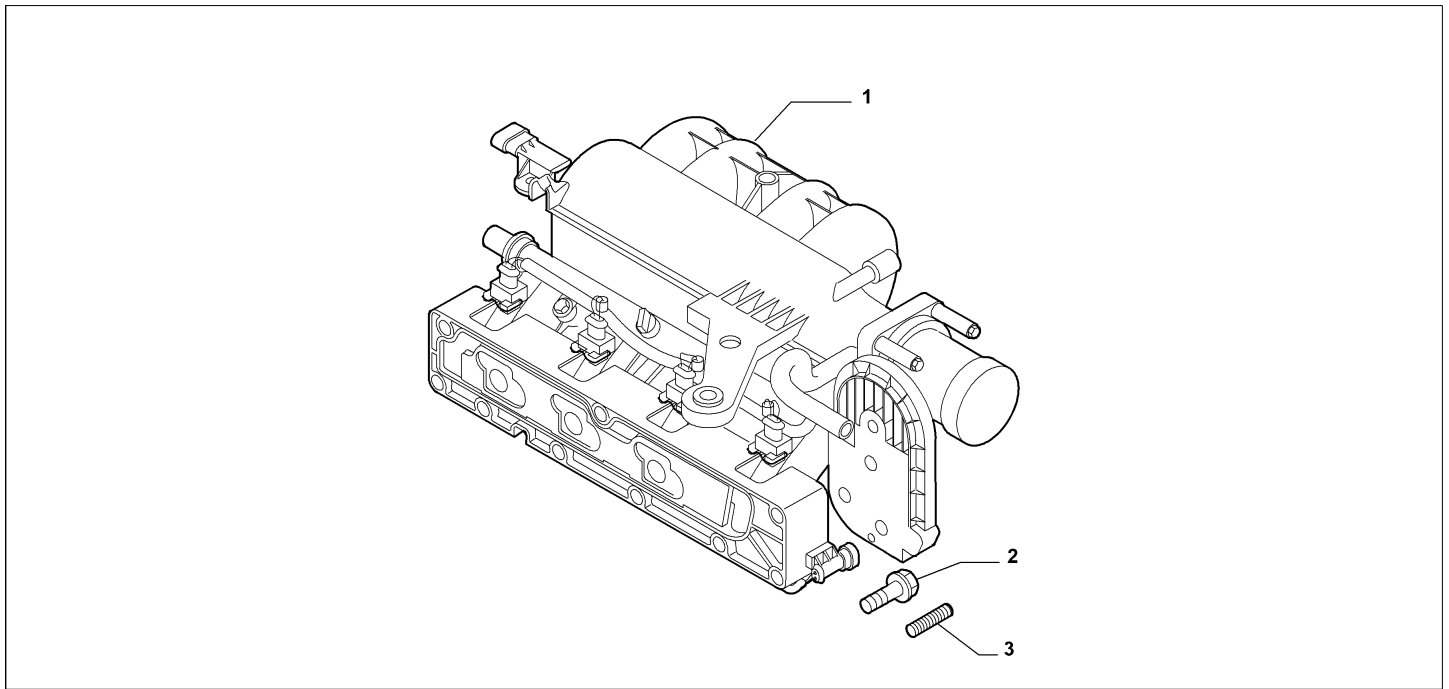
Catalogue	MITO 2011-2013	
Category	3.10 INTAKE MANIFOLD	
Var.	03	1.4 + 8V + (70HP, 78HP)
Rev.	00	



Part Num.	Description	Compatibility	Modif.	Qty	Notes	Col.	Reman.
1	71724729 AIR DUCT SYSTEM			1	ONLY PARTS ARE SUPPLIED		
2	18752824 SCREW			2			
3	14059321 NUT			6			
4	46769313 STUD, M8X16X30			4			
4	46547237 STUD			2			

Legend	
1.4	HORSE POWER (MARKET):1370
70HP	POWER:1.4 FIRE 8V 70HP EURO5
78HP	POWER:1.4 FIRE 8V/16V 78HP EURO5
8V	TOTAL NUMBER OF VALVES:8 VALVES

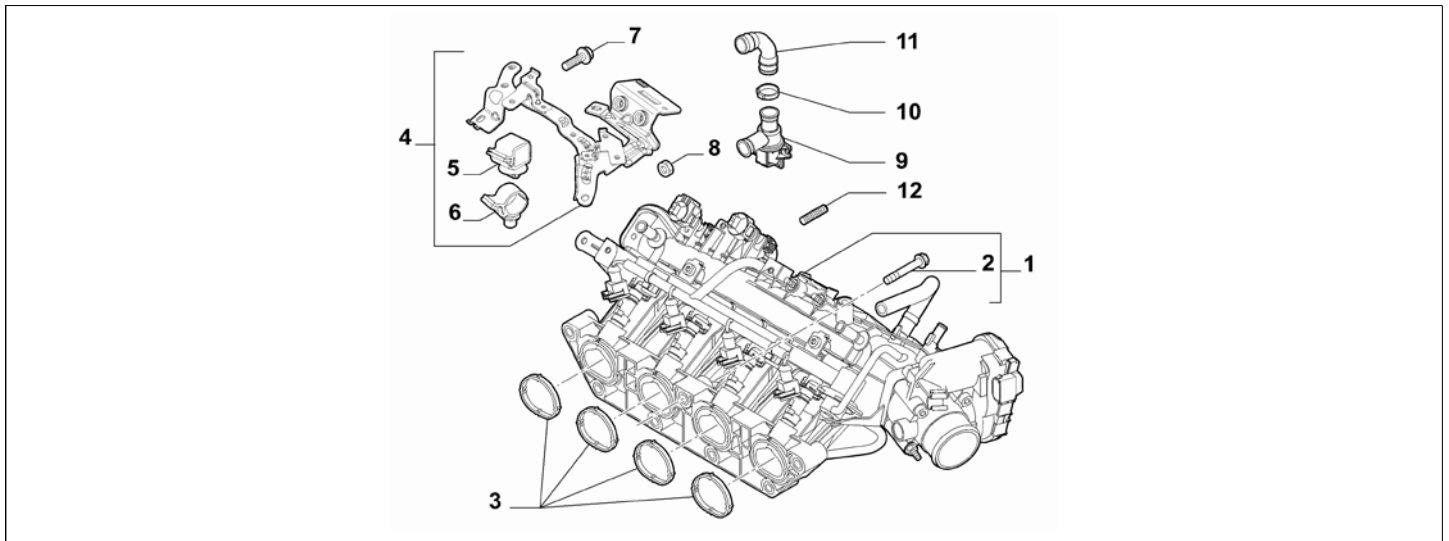
Catalogue	MITO 2011-2013	
Category	3.10 INTAKE MANIFOLD	
Var.	04	1.4 + 16V + (78HP, 105HP)
Rev.	00	



Part Num.	Description	Compatibility	Modif.	Qty	Notes	Col.	Reman.
1	55219510 AIR DUCT SYSTEM, COMPL	78HP		01			
1	55214247 AIR DUCT SYSTEM, COMPL	105HP	C16165	01			
1	55245427 AIR DUCT SYSTEM, COMPL	105HP	D16165	01			
2	73500895 SCREW, M7X47	78HP		08			
2	46747837 SCREW, M7X42	105HP		07			
2	46747594 SCREW, M6X30	78HP		02			
2	46747594 SCREW, M6X30	105HP		01			
3	7795996 STUD, M7X21			02			

Legend	
1.4	HORSE POWER (MARKET):1370
78HP	POWER:1.4 FIRE 8V/16V 78HP EURO5
105HP	POWER:1.4 FIRE 16V MULTIAIR 105HP (EURO 5)
16V	TOTAL NUMBER OF VALVES:16 VALVES
16165	New intake manifolds. [DAT 21/11/2012]

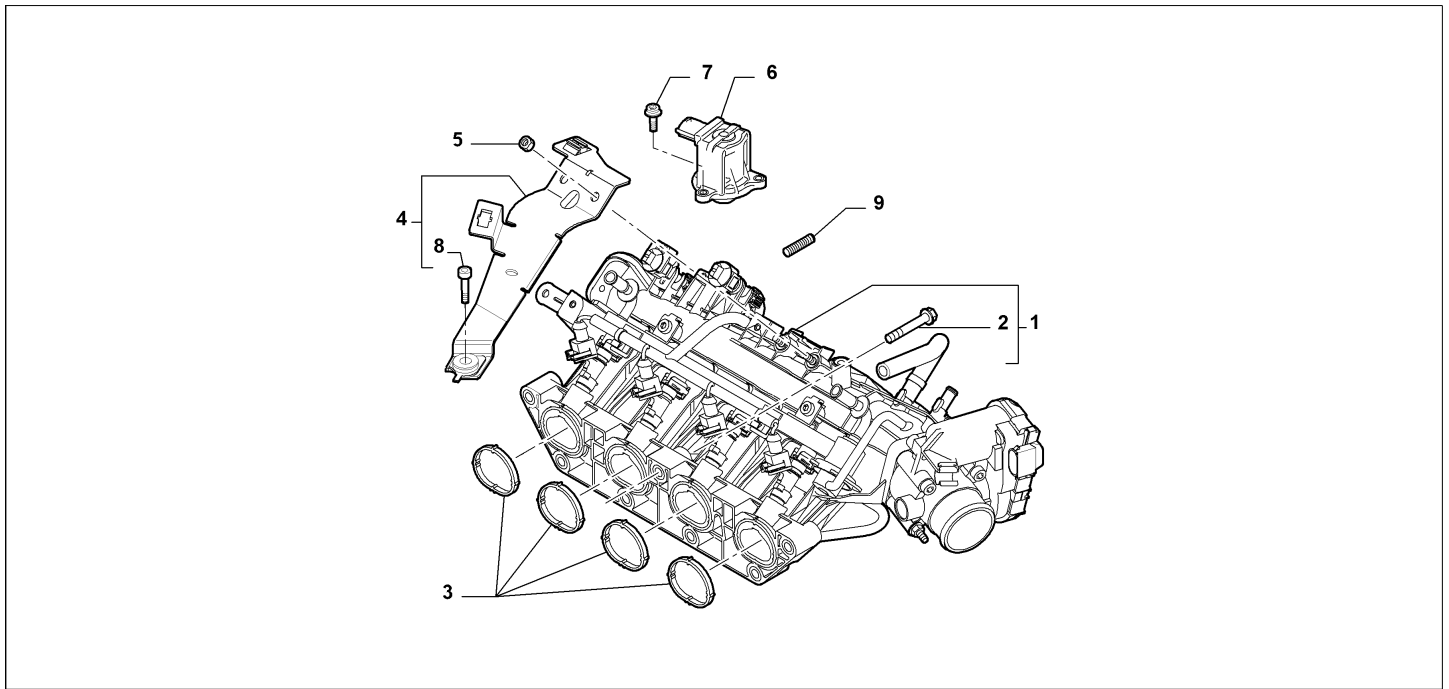
Catalogue	MITO 2011-2013	
Category	3.10 INTAKE MANIFOLD	
Var.	05	1.4 + 16V + 120HP
Rev.	00	



Part Num.	Description	Compatibility	Modif.	Qty	Notes	Col.	Reman.
1	55238469 AIR DUCT SYSTEM			1			
2	46747837 SCREW, M7X42			08			
2	55209800 SCREW			01			
3	77364551 REPAIR KIT			01			
4	55238470 BRACKET			01			
5	7759253 CLIP			02			
6	60593367 CLIP			2			
7	55199486 SCREW			2			
8	14059911 NUT			3			
9	55257853 ELECTRO-VALVE			01			
10	51810011 COLLAR			02			
11	55211279 SLEEVE			01			
12	7795996 STUD, M7X21			02			

Legend	
1.4	HORSE POWER (MARKET):1370
120HP	POWER:1.6 JTD EURO5 -1.4 FIRE TRB EURO4 120CV
16V	TOTAL NUMBER OF VALVES:16 VALVES

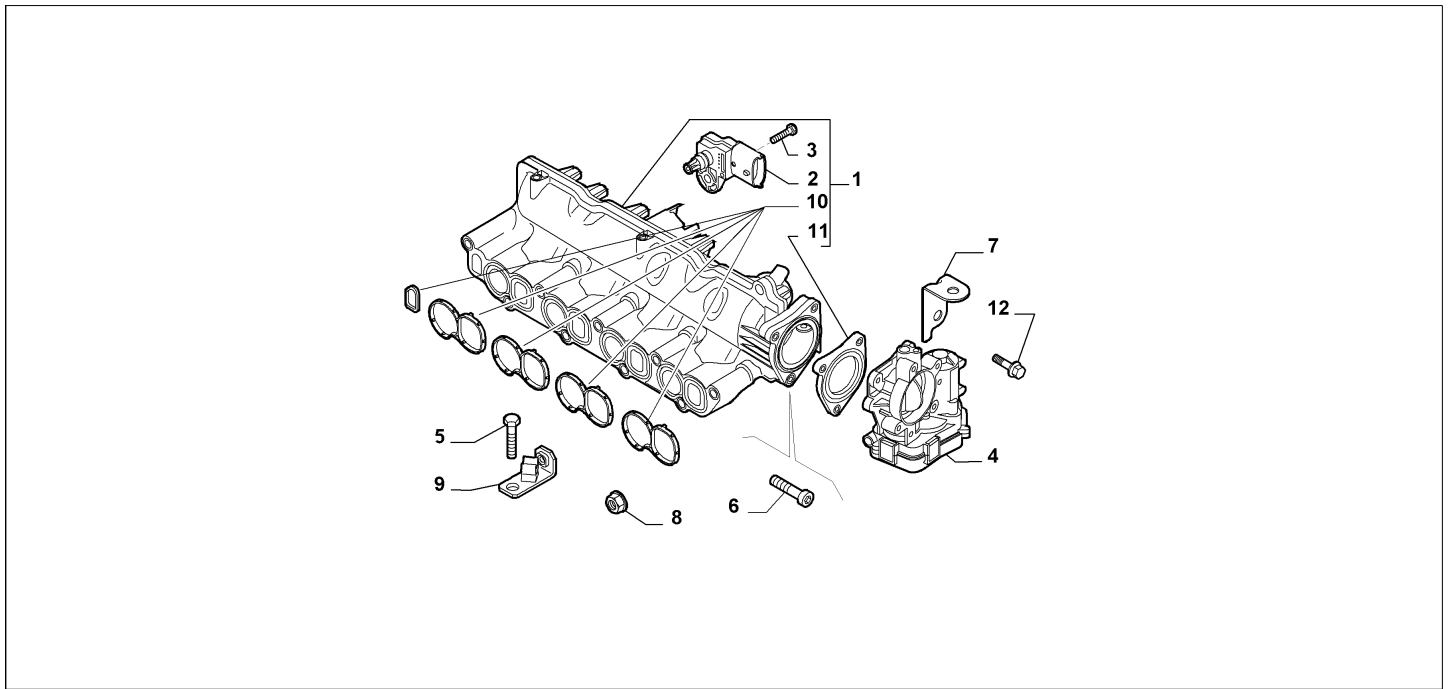
Catalogue	MITO 2011-2013	
Category	3.10 INTAKE MANIFOLD	
Var.	06	1.4 + 16V + 135HP, 170HP
Rev.	00	



Part Num.	Description	Compatibility	Modif.	Qty	Notes	Col.	Reman.
1	55225918 AIR DUCT SYSTEM, COMPL			01			
2	46747837 SCREW, M7X42			08			
2	55209800 SCREW			01			
3	71749160 SEAL GASKET			01			
4	55212258 BRACKET			01			
5	55192176 NUT			02			
6	55221800 ELECTRO-VALVE			01			
7	55225269 SCREW			03			
8	16286324 SCREW			01			
9	7795996 STUD, M7X21			02			

Legend	
1.4	HORSE POWER (MARKET):1370
170HP	POWER:1.4 FIRE 16V TURBO MULTIAIR 170HP EURO 5
135HP	POWER:1.4 FIRE 16V TURBO MULTIAIR 135 HP EURO 5
16V	TOTAL NUMBER OF VALVES:16 VALVES

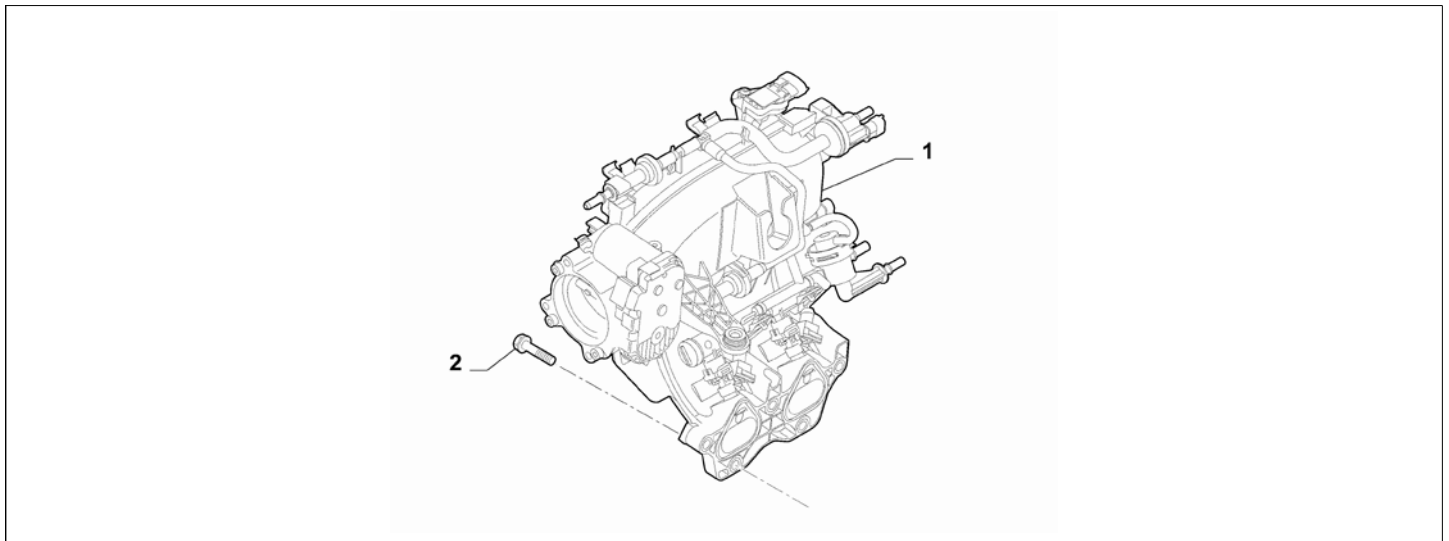
Catalogue	MITO 2011-2013	
Category	3.10 INTAKE MANIFOLD	
Var.	07	1.6D + DIESEL + 120HP
Rev.	00	



Part Num.	Description	Compatibility	Modif.	Qty	Notes	Col.	Reman.
1	55231272 INTAKE MANIFOLD, COMPLETE			01			
2	55219298 SENDING UNIT			1			
3	55217461 SCREW			01			
4	55220870 RIGHT THROTTLE BODY			01			71724187
5	16288421 SCREW			01			
5	18750624 SCREW			01			
6	16297024 SCREW			02			
6	16286724 SCREW			01			
7	71754009 KIT			01			
8	55192175 NUT			09			
9	55210343 BRACKET			01			
10	71753077 SEAL GASKET			01			
11	55272058 SEAL GASKET			01			
12	60812928 SCREW			02			

Legend	
1.6D	HORSE POWER (MARKET):1598
DIESEL	FUEL:DIESEL
120HP	POWER:1.6 JTD EURO5 -1.4 FIRE TRB EURO4 120CV

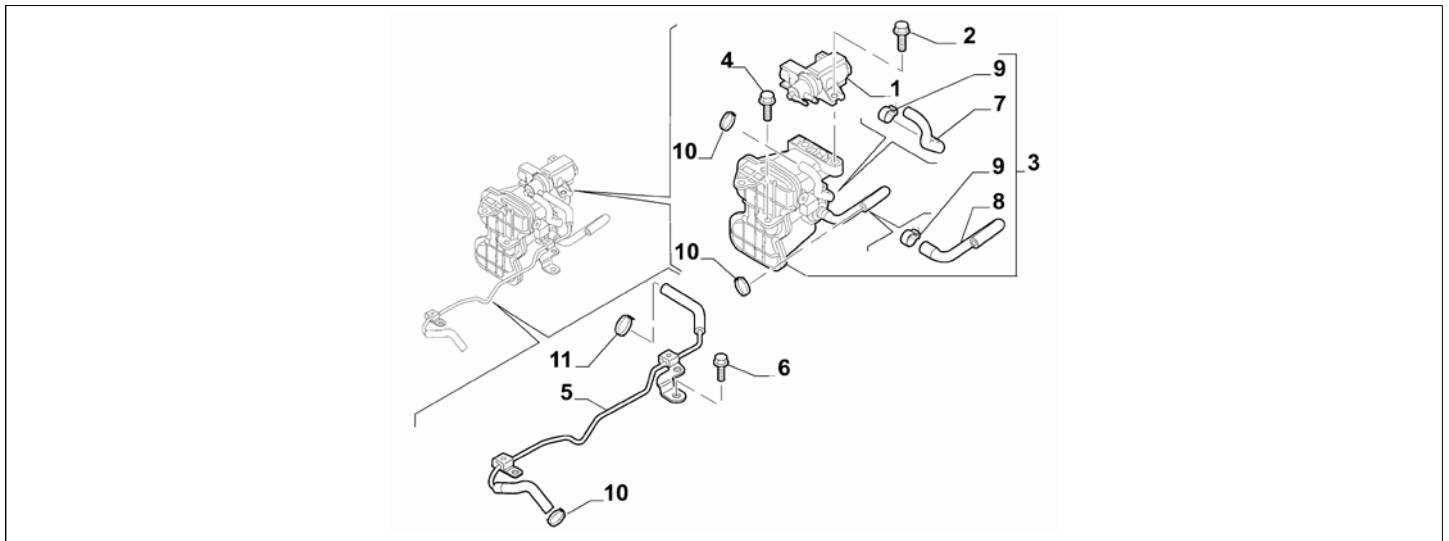
Catalogue	MITO 2011-2013	
Category	3.10 INTAKE MANIFOLD	
Var.	01	875CC + 85HP + TURBO + PETROL
Rev.	00	



Part Num.	Description	Compatibility	Modif.	Qty	Notes	Col.	Reman.
1	71795490 AIR DUCT SYSTEM			1	ONLY PARTS ARE SUPPLIED		
2	18752821 SCREW			5			

Legend	
TURBO	(ASPIRATED/TURBO):TURBO
875CC	HORSE POWER (MARKET):875
PETROL	FUEL:PETROL
85HP	POWER:1.3 SDE 85HP EURO5

Catalogue	MITO 2011-2013	
Category	3.10 INTAKE MANIFOLD	
Var.	01	875CC + 85HP + TURBO + PETROL
Rev.	00	



Part Num.	Description	Compatibility	Modif.	Qty	Notes	Col.	Reman.
1	55203202 ELECTRO-VALVE			1			
2	16286024 SCREW			2			
3	55238645 TANK			1			
4	16286024 SCREW			2			
5	55233917 HOSE			1			
6	18750234 SCREW AND WASHER ASSY			1			
7	71769400 SLEEVE			1			
8	71769401 SLEEVE			1			
9	71769402 COLLAR			2			
10	13125070 COLLAR			3			
11	13127170 COLLAR			1			

Legend	
TURBO	(ASPIRATED/TURBO):TURBO
875CC	HORSE POWER (MARKET):875
PETROL	FUEL:PETROL
85HP	POWER:1.3 SDE 85HP EURO5