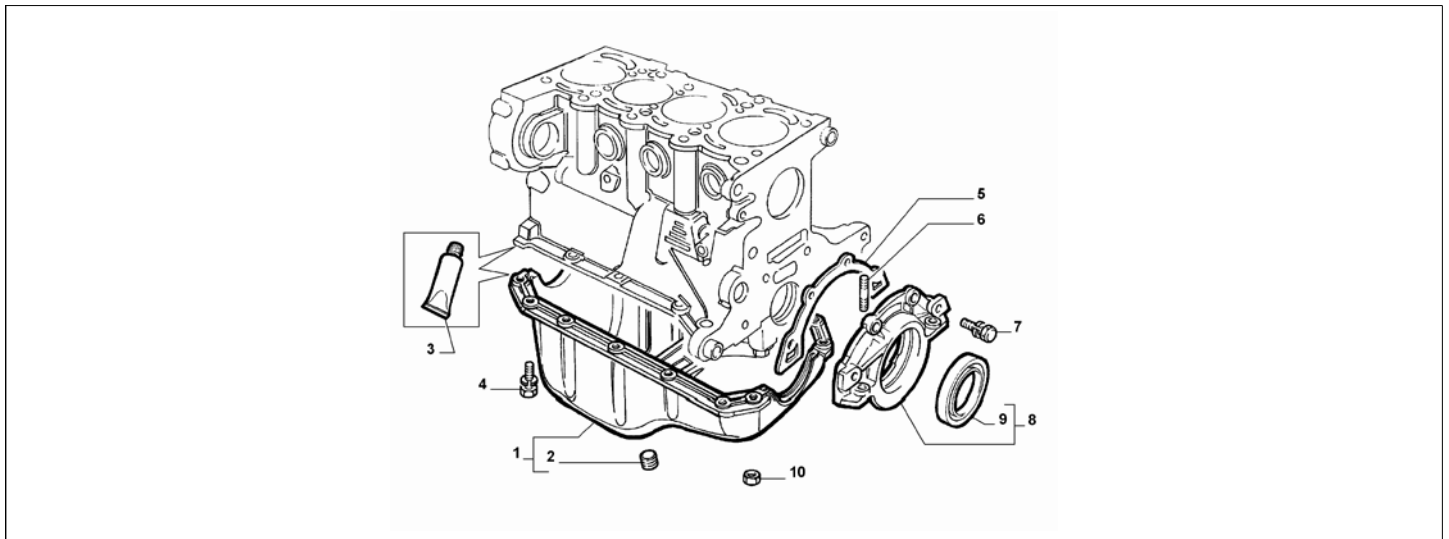


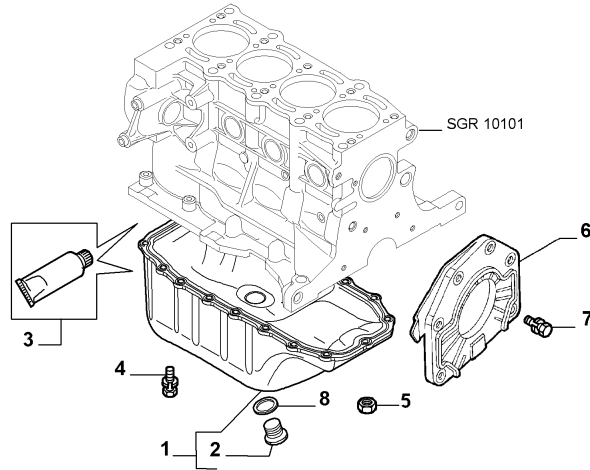
Catalogue	MITO 2011-2013	
Category	2.2 OIL CAP AND BASE COVER	
Var.	01	1.4 + 8V + PETROL
Rev.	00	



	Part Num.	Description	Compatibility	Modif.	Qty	Notes	Col.	Reman.
1	A 55200418	OIL SUMP, COMPL			1			
1	A 6000100143	OIL SUMP, COMPL			1			
2	7734022	PLUG			1			
3	71753861	SEALER			1			
4	18752424	SCREW, M8X30			10			
5	55269963	SEAL GASKET			1			
6	46445146	STUD			2			
7	11612624	SCREW AND WASHER ASSY			4			
8	A 55269962	COVER			1			
8	A 6000100137	COVER			1			
9	71754491	SEAL GASKET			1			
10	14040614	NUT			4			

Legend	
1.4	HORSE POWER (MARKET):1370
PETROL	FUEL:PETROL
8V	TOTAL NUMBER OF VALVES:8 VALVES

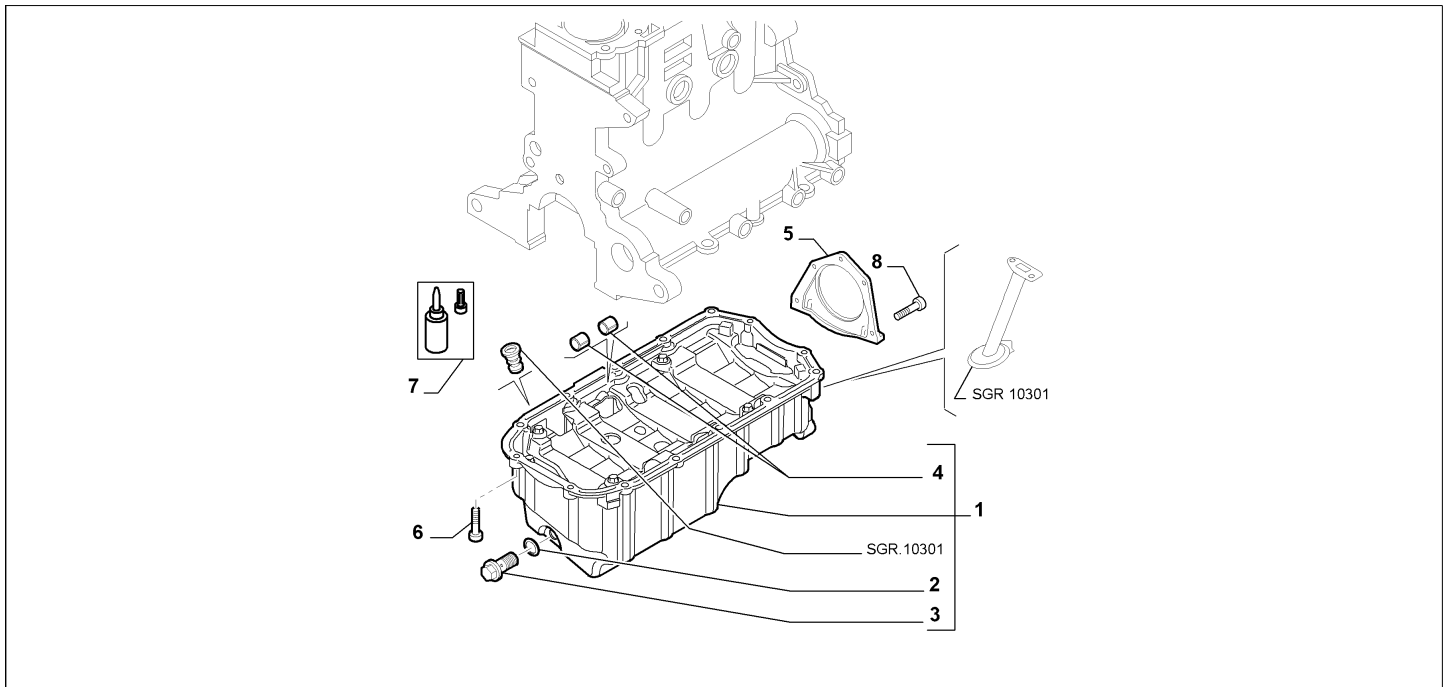
Catalogue	MITO 2011-2013	
Category	2.2 OIL CAP AND BASE COVER	
Var.	02	1.4 + 16V + PETROL + (78HP, 105HP, 120HP, 135HP, 170HP)
Rev.	00	



Part Num.	Description	Compatibility	Modif.	Qty	Notes	Col.	Reman.
1	55221011 OIL SUMP, COMPL	78HP, 105HP, 135HP+TCT		01			
1	55209019 OIL SUMP, COMPL	120HP, 135HP+TCT, 170HP		01			
2	55184773 PLUG			01			
3	71753861 SEALER			01			
4	18750624 SCREW, M6X25			14			
5	14040611 NUT			04			
6	46539824 COVER			01			
7	11612424 SCREW AND WASHERASSY			06			
8	10261060 SEAL GASKET			01			

Legend	
TCT	SPECIFIC GEARBOX
1.4	HORSE POWER (MARKET):1370
PETROL	FUEL:PETROL
170HP	POWER:1.4 FIRE 16V TURBO MULTIAIR 170HP EURO 5
78HP	POWER:1.4 FIRE 8V/16V 78HP EURO5
105HP	POWER:1.4 FIRE 16V MULTIAIR 105HP (EURO 5)
120HP	POWER:1.6 JTD EURO5 -1.4 FIRE TRB EURO4 120CV
135HP	POWER:1.4 FIRE 16V TURBO MULTIAIR 135 HP EURO 5
16V	TOTAL NUMBER OF VALVES:16 VALVES

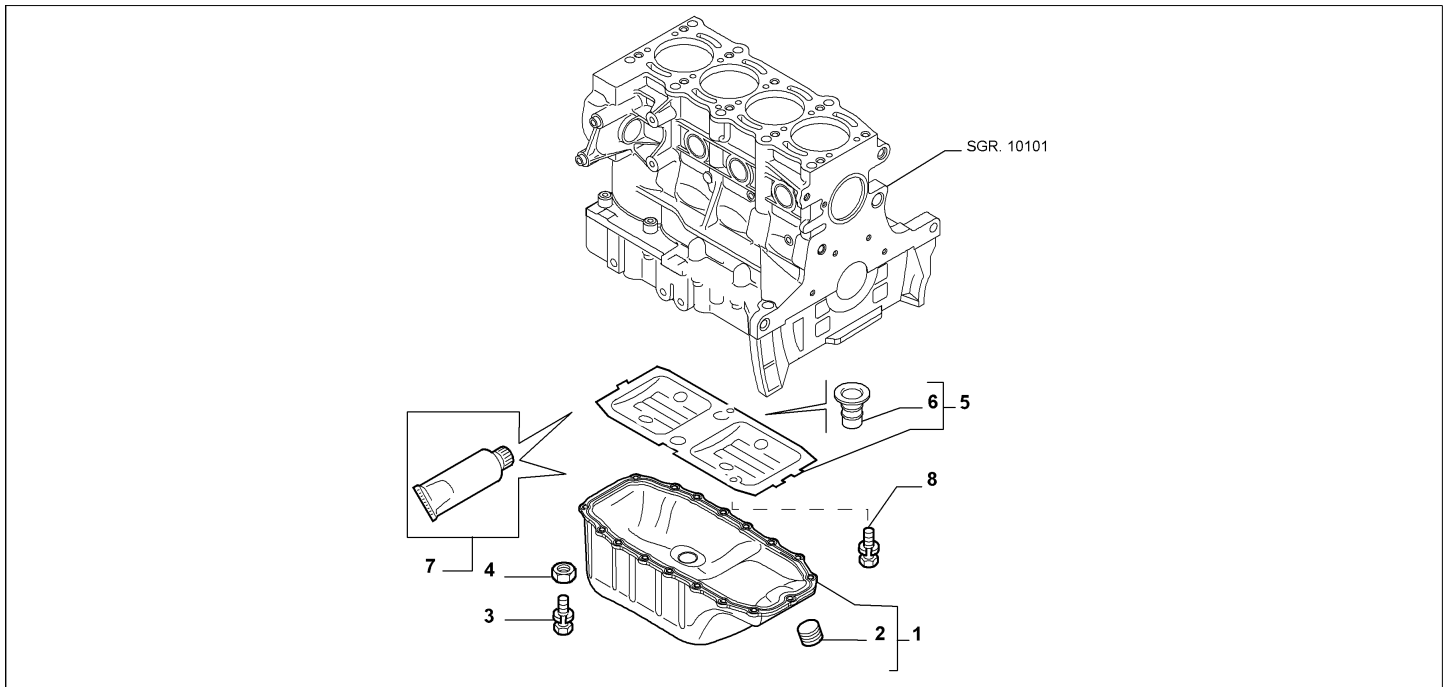
Catalogue	MITO 2011-2013	
Category	2.2 OIL CAP AND BASE COVER	
Var.	03	1.6D + DIESEL + 120HP
Rev.	00	



Part Num.	Description	Compatibility	Modif.	Qty	Notes	Col.	Reman.
1	55222615 OIL SUMP, COMPL			01			
2	55196309 SEAL GASKET			01			
3	55196505 PLUG			01			
4	55190219 RESILIENT BUSH			02			
5	71718365 SEAL GASKET			01			
6	14943224 SCREW AND WASHER ASSY, M8X28			10			
6	55204902 SCREW AND WASHER ASSY, M6X30			04			
7	63999837 SEALER			01			
8	55199580 SCREW AND WASHER ASSY, M6X16			05			

Legend	
1.6D	HORSE POWER (MARKET):1598
DIESEL	FUEL:DIESEL
120HP	POWER:1.6 JTD EURO5 -1.4 FIRE TRB EURO4 120CV

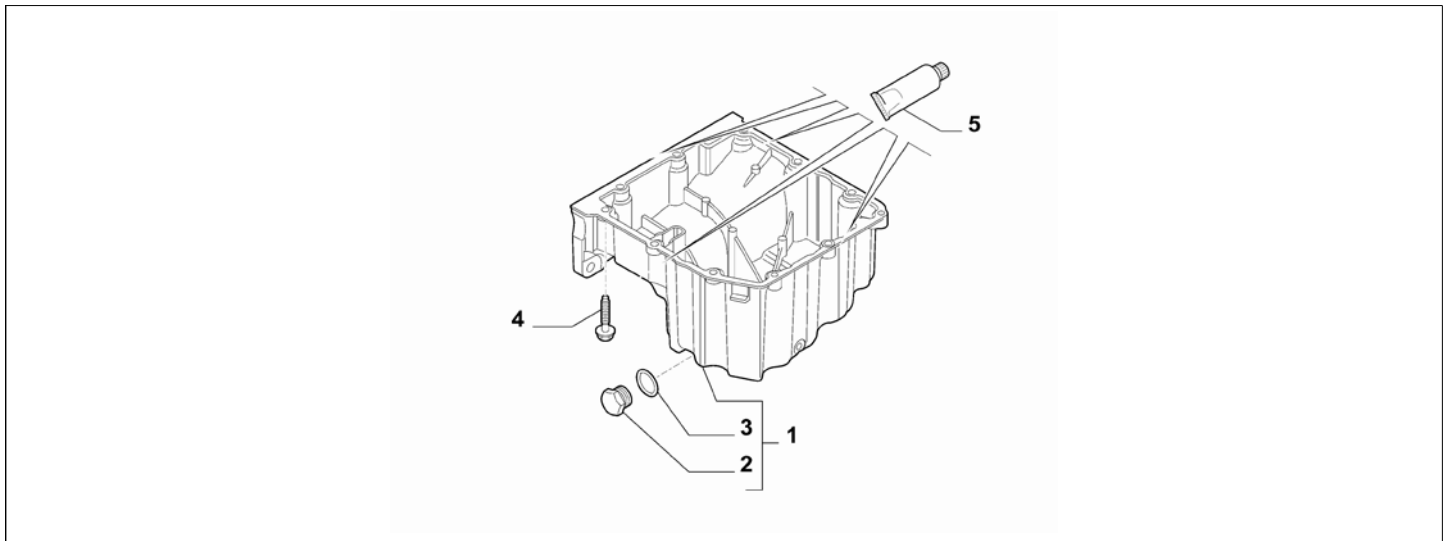
Catalogue	MITO 2011-2013	
Category	2.2 OIL CAP AND BASE COVER	
Var.	04	1.3D + DIESEL + (95HP, 85HP) + EURO5
Rev.	00	



Part Num.	Description	Compatibility	Modif.	Qty	Notes	Col.	Reman.
1	55197679 OIL SUMP, COMPL			01			
2	46823509 PLUG			01			
3	18750121 SCREW, M6X14			13			
4	55192174 NUT, DIAM M6			02			
5	55185370 WALL			01			
6	55183478 SEAL GASKET			01			
7	71753111 SEALER			01			
8	55189459 SCREW, M6X18			06			

Legend	
1.3D	HORSE POWER (MARKET):1.3
DIESEL	FUEL:DIESEL
EURO5	ECOLOGY:LIM.ECC PHASE 5
85HP	POWER:1.3 SDE 85HP EURO5
95HP	POWER:1.3 SDE 95HP EURO5

Catalogue	MITO 2011-2013	
Category	2.2 OIL CAP AND BASE COVER	
Var.	05	875CC + 85HP + TURBO + PETROL
Rev.	00	



Part Num.	Description	Compatibility	Modif.	Qty	Notes	Col.	Reman.
1	55244790 OIL SUMP			1			
2	55184773 PLUG			1			
3	10261060 SEAL GASKET			1			
4	55192177 SCREW			5			
4	18752621 SCREW			6			
5	71753111 SEALER			1			

Legend	
TURBO	(ASPIRATED/TURBO):TURBO
875CC	HORSE POWER (MARKET):875
PETROL	FUEL:PETROL
85HP	POWER:1.3 SDE 85HP EURO5