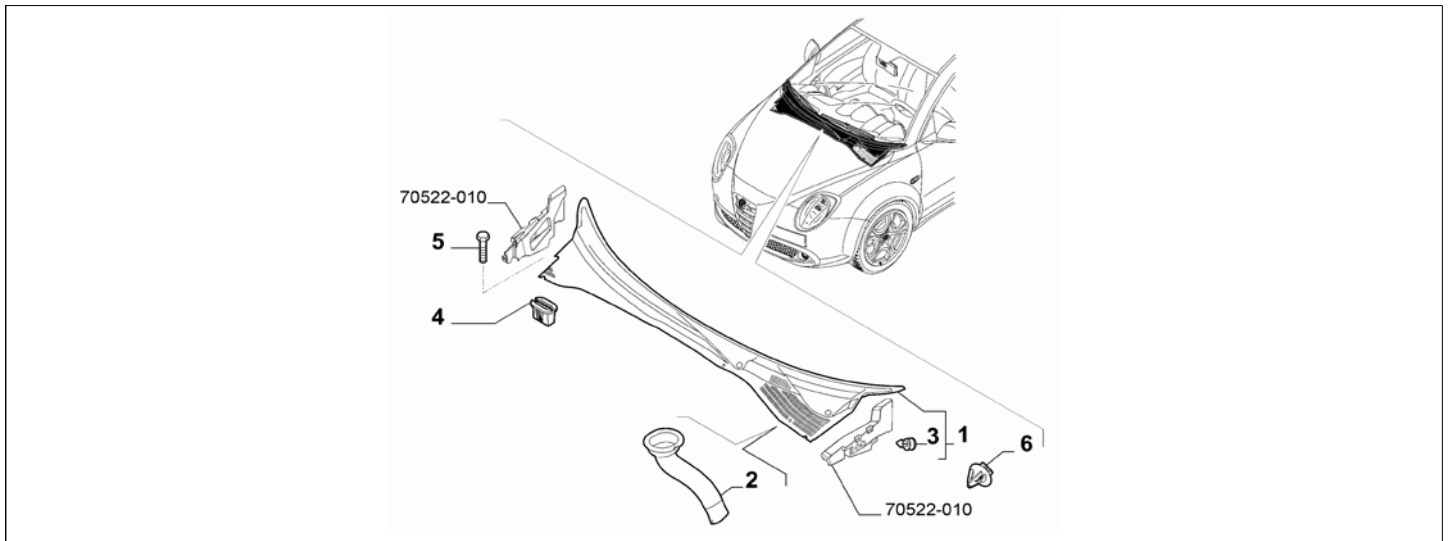


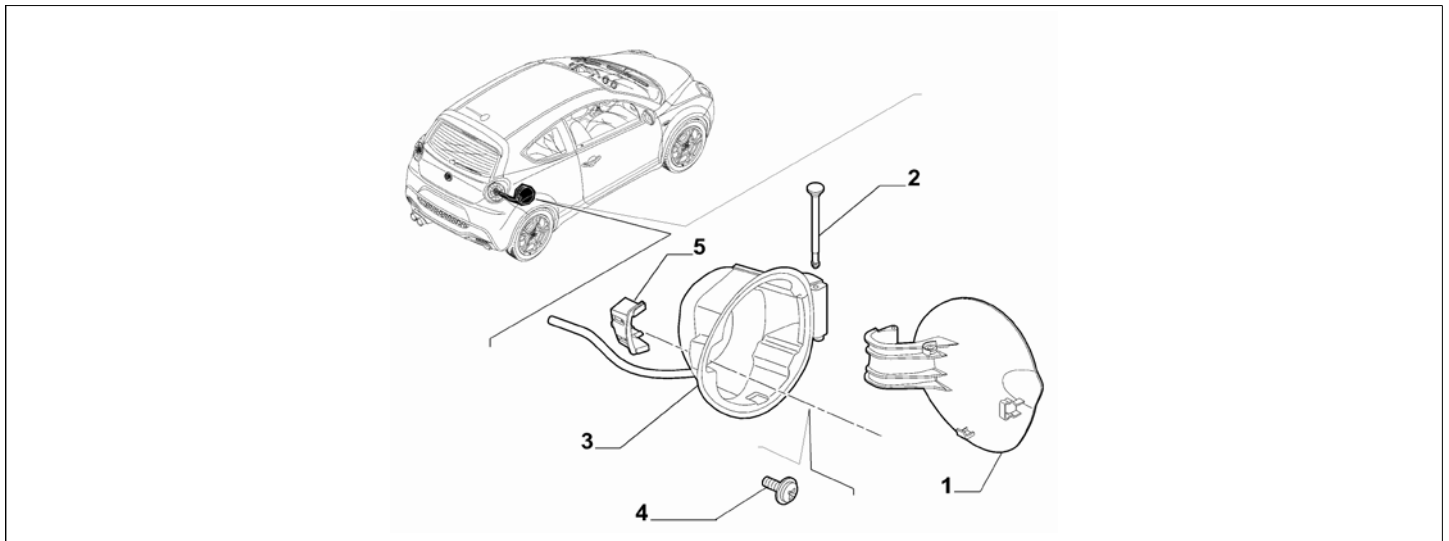
Catalogue	MITO 2011-2013	
Category	24.3 SCUTTLE AND FUEL CAP	
Var.	02	
Rev.	00	



Part Num.	Description	Compatibility	Modif.	Qty	Notes	Col.	Reman.
1	156084508	ORNAMENT	LHD	C15086	1		
1	156099902	ORNAMENT	LHD	D15086	1		
1	156084509	ORNAMENT	RHD	C15086	1		
1	156099903	ORNAMENT	RHD	D15086	1		
2	51885638	SLEEVE, RIGHT			1		
2	51810013	SLEEVE, LEFT			1		
3	71747674	PIN		C15086	1		
4	7754387	PAD			3		
5	15532209	SCREW, 8X19			3		
6	51909780	PIN, LEFT		D15086	1		
6	51909781	PIN, RIGHT		D15086	1		

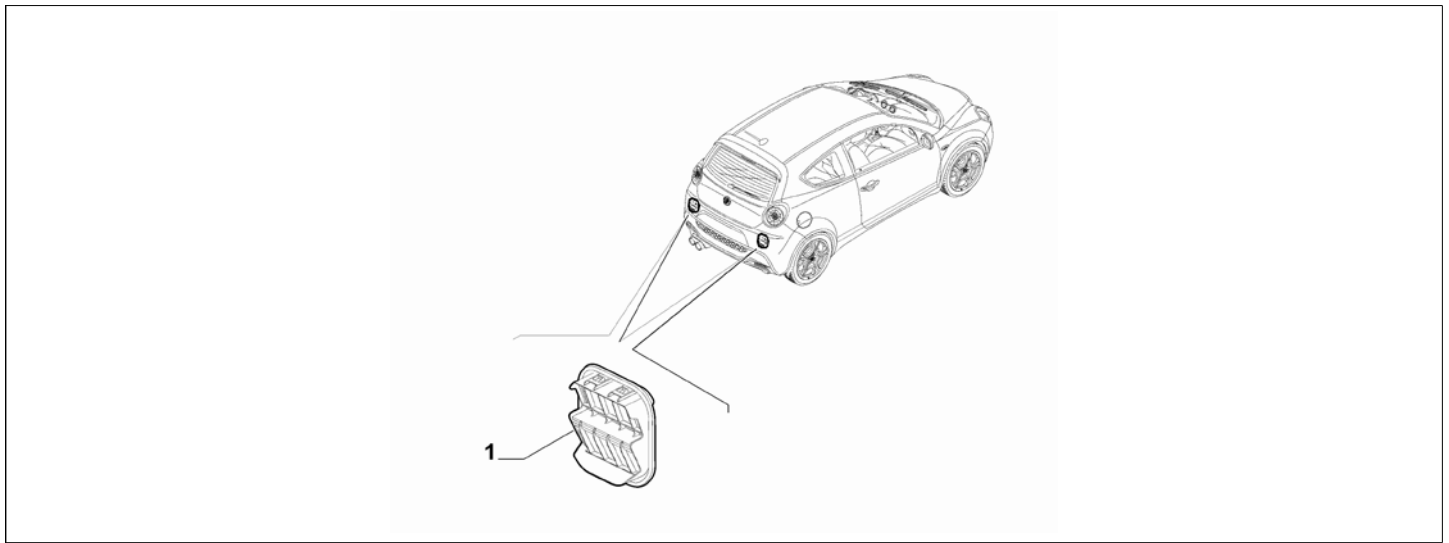
Legend	
RHD	STEERING:RIGHT
LHD	STEERING:LEFT
15086	Adoption of new trim plus new pins [DAT 28/09/2011]

Catalogue	MITO 2011-2013	
Category	24.3 SCUTTLE AND FUEL CAP	
Var.	01	
Rev.	00	



Part Num.	Description	Compatibility	Modif.	Qty	Notes	Col.	Reman.
1	156084719 LID			1	WITH PRIMER		
2	50508668 PIN			1			
3	50508667 END PLATE			1			
4	16083607 SCREW, 4X16			1			
5	50508669 STRIKER PLATE			1			

Catalogue	MITO 2011-2013	
Category	24.3 SCUTTLE AND FUEL CAP	
Var.	01	
Rev.	00	



Part Num.	Description	Compatibility	Modif.	Qty	Notes	Col.	Reman.
1	51826662 ORNAMENT			2			