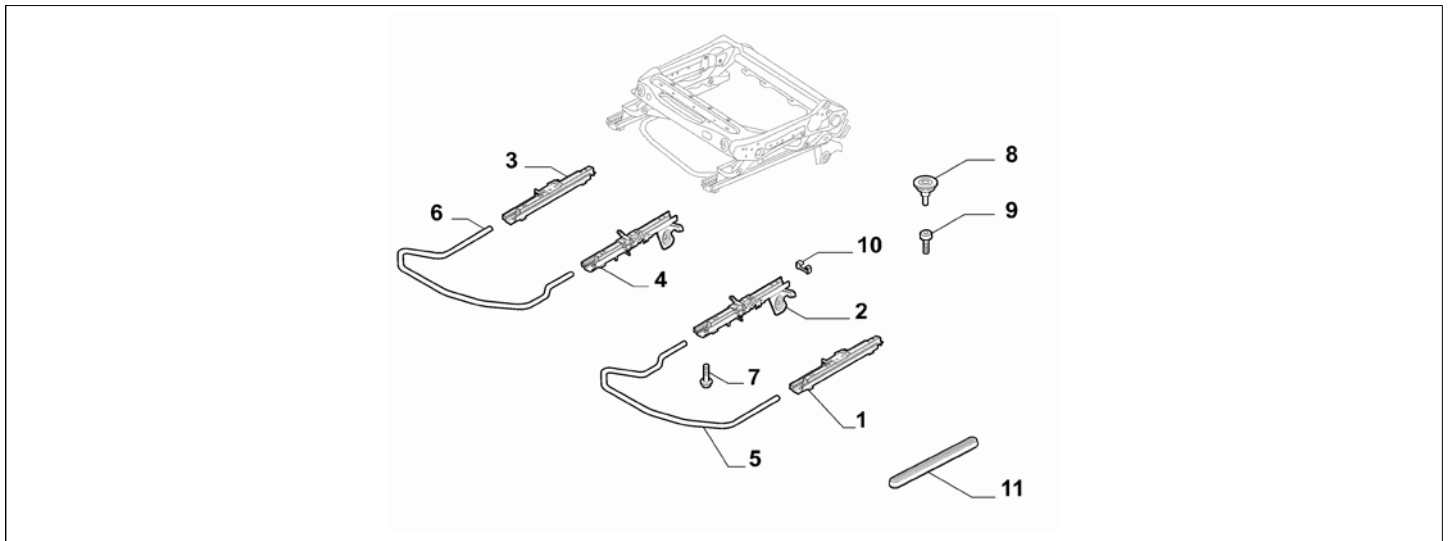


Catalogue	MITO 2011-2013	
Category	23.2 FRONT SEAT RAILS	
Var.	01	
Rev.	00	



Part Num.	Description	Compatibility	Modif.	Qty	Notes	Col.	Reman.
1	55701702	GUIDE, EXTERNAL LEFT		01			
1	71754451	GUIDE, EXTERNAL LEFT		01			
2	55703388	GUIDE, INTERNAL LEFT		01			
2	71754450	GUIDE, INTERNAL LEFT		01			
3	55701703	GUIDE, RIGHT EXTERNAL		01			
3	71754482	GUIDE, RIGHT EXTERNAL		01			
4	55703389	GUIDE, INTERNAL RIGHT		01			
4	71754481	GUIDE, INTERNAL RIGHT		01			
5	55703397	HANDLE, LEFT		01			
5	71754452	HANDLE, LEFT		01			
6	55703398	HANDLE, RIGHT		01			
6	71754483	HANDLE, RIGHT		01			
7	55702349	SCREW, M8X22		10			
8	55702070	PIN		02			
9	55702494	SCREW		04			
10	47303109	COVERING		04			
10	71754453	SHIELD		04			
11	71754444	COVERING, LEFT SIDE		02			
11	71754476	COVERING, RIGHT SIDE		02			

Legend	
180	SPORTS SEATS
LL0	TRIM LEVEL:PROGRESSION
LL1	TRIM LEVEL:SPORT
LL2	TRIM LEVEL:DISTINCTIVE
LL4	TRIM LEVEL:ESSENTIAL