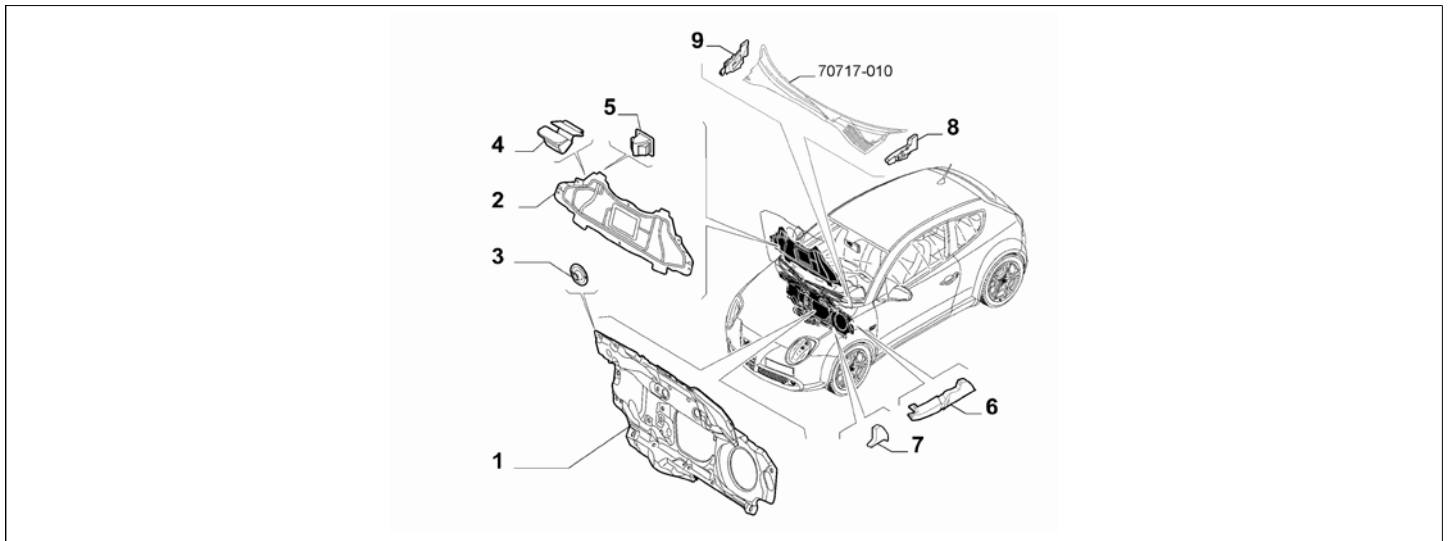


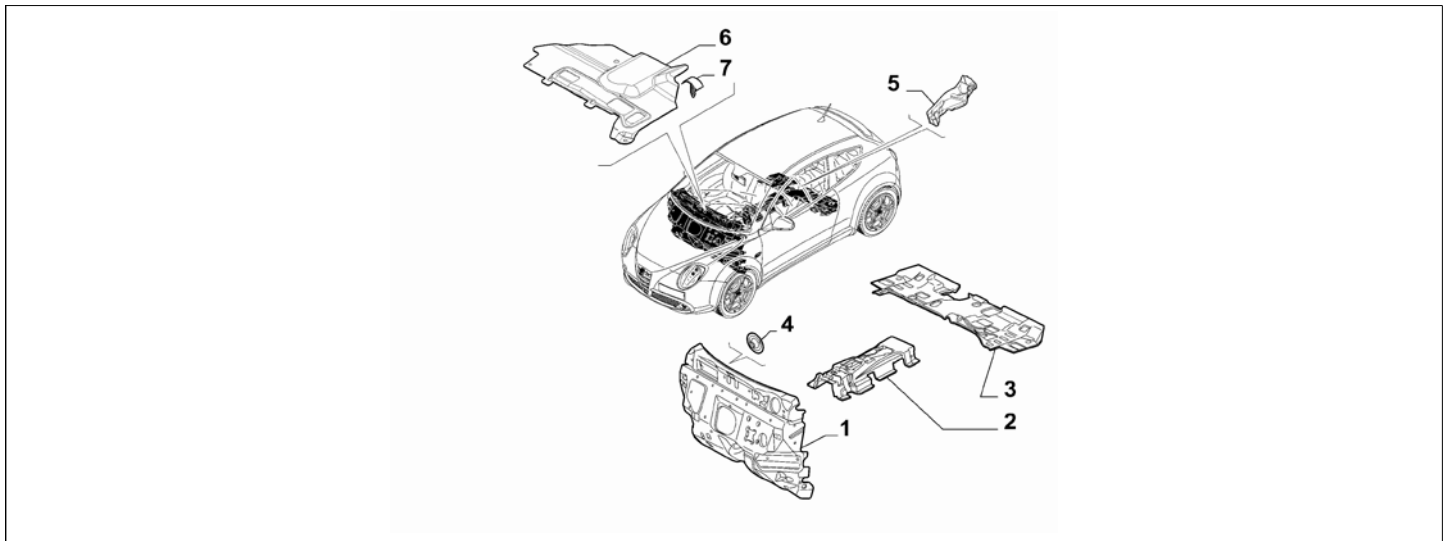
Catalogue	MITO 2011-2013	
Category	22.4 INSULATION AND PADDING	
Var.	02	
Rev.	00	



Part Num.	Description	Compatibility	Modif.	Qty	Notes	Col.	Reman.
1	50508399 LINING	LHD	C16394	1			
1	50527659 LINING	LHD	D16394	1			
1	50508400 LINING	RHD	C16394	1			
1	50527660 LINING	RHD	D16394	1			
2	50516876 LINING	NOTURBO	C15564	1			
2	50522842 LINING	NOTURBO	D15564	1			
2	50516876 LINING	1.6D	C15564	1			
2	50522842 LINING	1.6D	D15564	1			
2	50516878 LINING	875CC, 1.4+TURBO	C15564	1			
2	50522021 LINING	875CC, 1.4+TURBO	D15564	1			
2	50516878 LINING	1.3D	C15564	1			
2	50522021 LINING	1.3D	D15564	1			
2	50529459 LINING	5SF		1			
3	7799951 BUTTON			8			
4	46804433 CLIP			6			
5	51819230 PAD			6			
6	50509111 SEAL GASKET, RIGHT			1			
6	50509112 SEAL GASKET, LEFT			1			
7	50515025 WICK			2			
8	50513383 WICK, LEFT	RHD		1			
9	50513382 WICK, RIGHT	LHD		1			

Legend	
5SF	SPECIFIC FOR SASO MARKET
NOTURBO	(ASPIRATED/TURBO):EXHAUST FAN
TURBO	(ASPIRATED/TURBO):TURBO
875CC	HORSE POWER (MARKET):875
1.3D	HORSE POWER (MARKET):1.3
1.4	HORSE POWER (MARKET):1370
1.6D	HORSE POWER (MARKET):1598
RHD	STEERING:RIGHT
LHD	STEERING:LEFT
15564	UNDER-HOOD INSULATION MODIFIED [DAT 28/07/2011]
16394	extension of bodywork parts for MY2013 [DAT 15/02/2013]

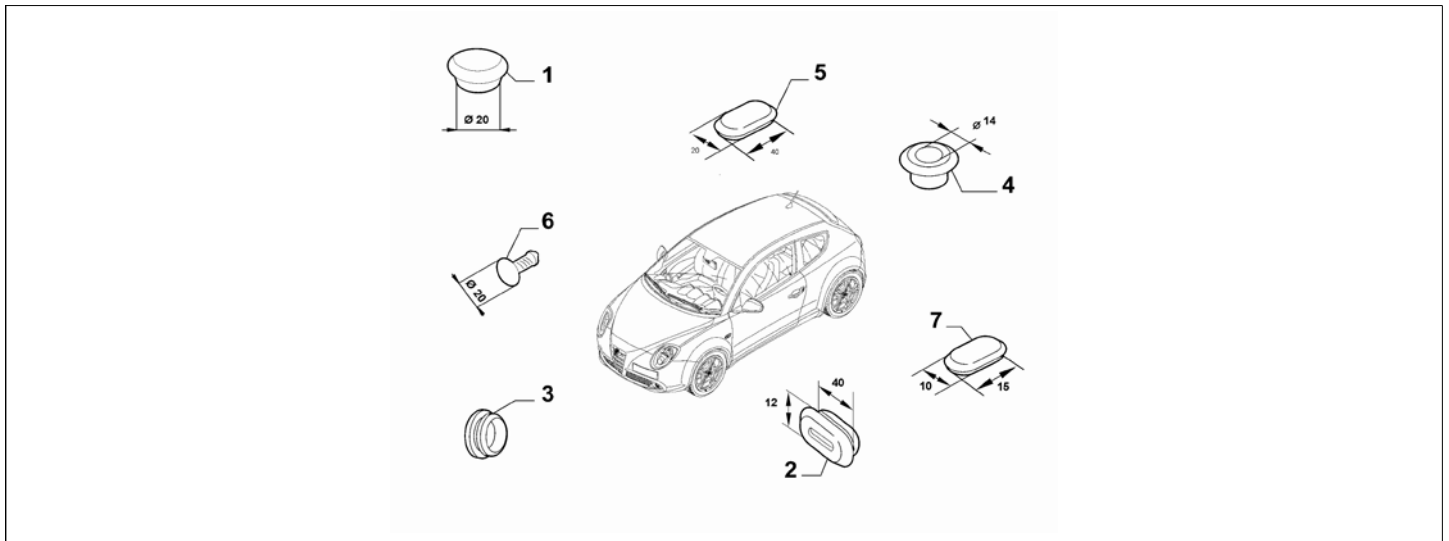
Catalogue	MITO 2011-2013	
Category	22.4 INSULATION AND PADDING	
Var.	01	
Rev.	00	



Part Num.	Description	Compatibility	Modif.	Qty	Notes	Col.	Reman.
1	50518770 LINING	NOTURBO+LHD		1			
1	50518770 LINING	TURBO+LHD		1			
1	50518772 LINING	NOTURBO+RHD		1			
1	50518773 LINING	TURBO+RHD		1			
2	51849059 LINING	LHD		1			
2	51849060 LINING	RHD		1			
3	51880668 LINING	DIESEL		1			
4	7799951 BUTTON	LHD+ITCT+I718		6			
5	50515039 LINING, RIGHT			1			
5	50515040 LINING, LEFT			1			
6	51811771 SOUNDPROOFING, RIGHT UNDER DASHBOARD	LHD		1			
7	735290437 BUTTON			2			

Legend	
TCT	SPECIFIC GEARBOX
718	HI-FI AUDIO SYSTEM
NOTURBO	(ASPIRATED/TURBO):EXHAUST FAN
TURBO	(ASPIRATED/TURBO):TURBO
DIESEL	FUEL:DIESEL
RHD	STEERING:RIGHT
LHD	STEERING:LEFT

Catalogue	MITO 2011-2013	
Category	22.4 INSULATION AND PADDING	
Var.	02	
Rev.	00	



Part Num.	Description	Compatibility	Modif.	Qty	Notes	Col.	Reman.
1	51746230	PLUG, HOLE DIAMETER 20	!60K		2		
1	51746230	PLUG, HOLE DIAMETER 20	60K		2		
2	51751360	PLUG, HOLE 12X40	!60K		20		
2	51751360	PLUG, HOLE 12X40	60K		10		
3	51800800	PLUG, HOLE DIAMETER 10			3		
3	14507687	PLUG, HOLE DIAMETER 20			2		
4	46780443	PLUG, HOLE DIAMETER 14			9		
5	46845582	PLUG, HOLE 20X40			2		
6	735419315	PLUG	!60K		1		
7	50515614	PLUG, HOLE 10X15			2		

Legend	
60K	5TH SEAT+SPLIT SEAT KIT