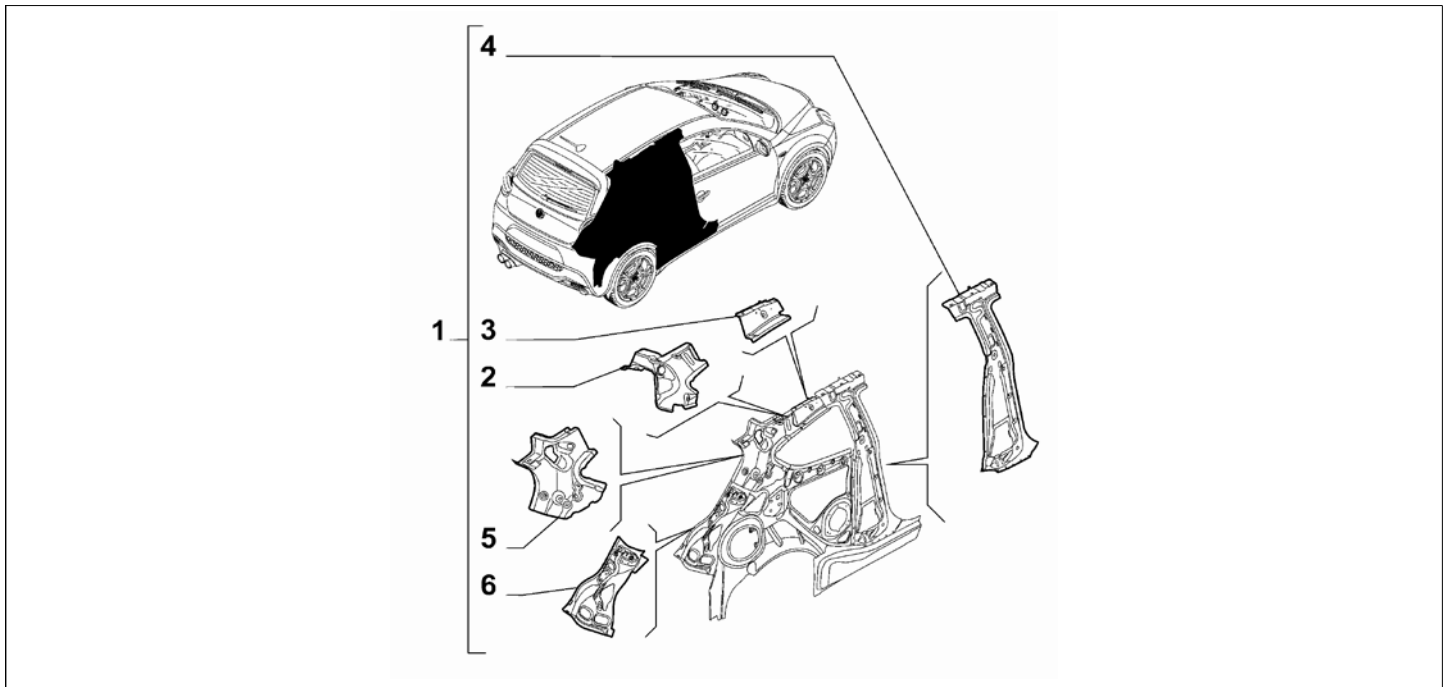
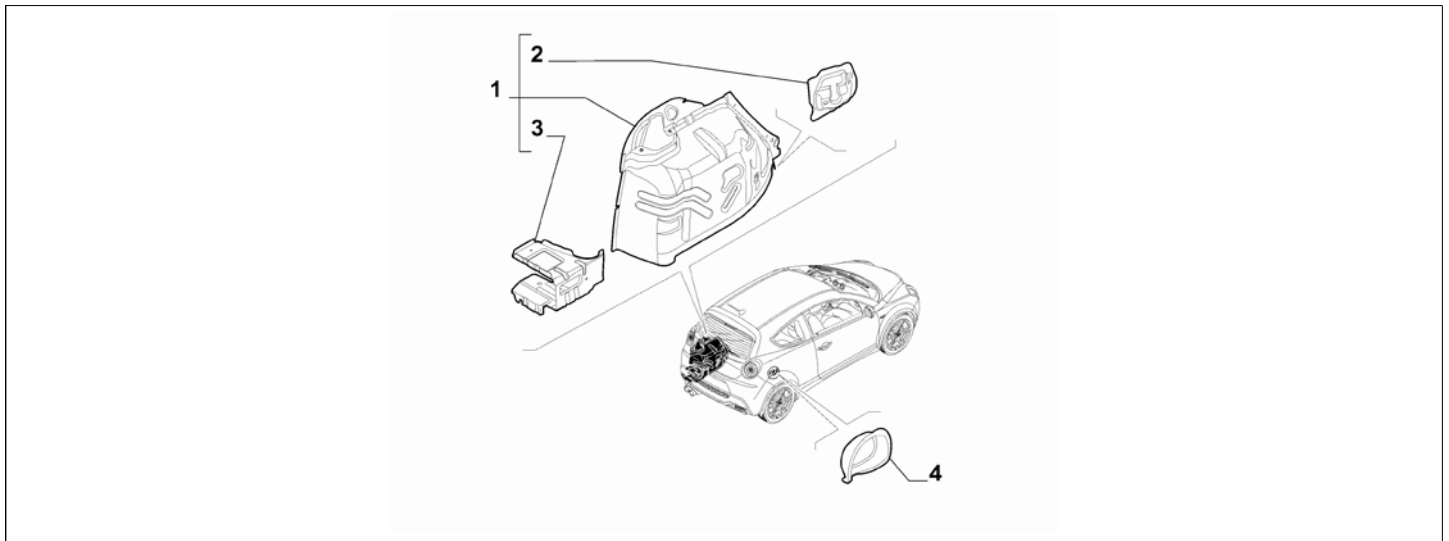


Catalogue	MITO 2011-2013	
Category	20.4 BODYSHELL STRUCTURE (REAR PART)	
Var.	01	
Rev.	00	



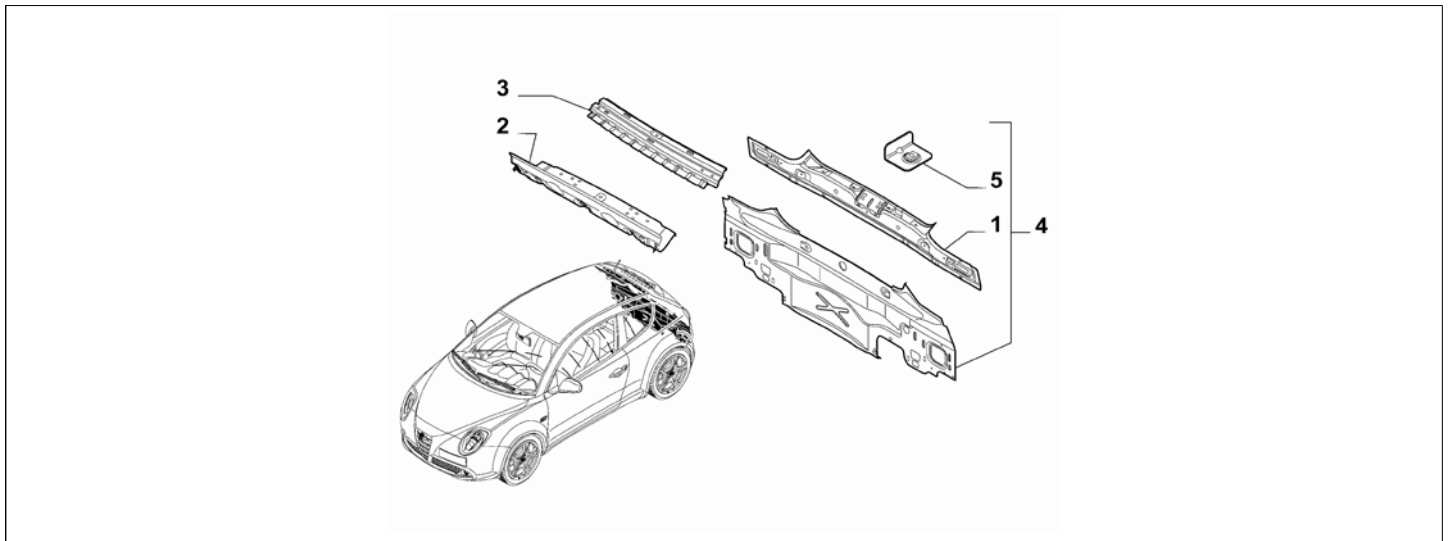
Part Num.	Description	Compatibility	Modif.	Qty	Notes	Col.	Reman.
1	50508745 FRAMING, RIGHT			1			
1	50517175 FRAMING, LEFT			1			
2	50508889 REINFORCEMENT, RIGHT			1			
2	50508909 REINFORCEMENT, LEFT			1			
3	50518337 SIDE RAIL, RIGHT			1			
3	50518338 SIDE RAIL, LEFT			1			
4	50508885 BOXED PANEL, RIGHT			1			
4	50508905 BOXED PANEL, LEFT			1			
5	50518456 BOXED PANEL, RIGHT			1			
5	50518457 BOXED PANEL, LEFT			1			
6	50508877 FRAMING, RIGHT			1			
6	50508897 FRAMING, LEFT			1			

Catalogue	MITO 2011-2013	
Category	20.4 BODYSHELL STRUCTURE (REAR PART)	
Var.	01	
Rev.	00	



Part Num.	Description	Compatibility	Modif.	Qty	Notes	Col.	Reman.
1	50508624	REAR WHEELHOUSE, RIGHT		1			
1	50508628	REAR WHEELHOUSE, LEFT		1			
2	55700302	REINFORCEMENT, RIGHT		1			
2	55701427	REINFORCEMENT, LEFT		1			
3	55700300	BRACKET, RIGHT		1			
3	55700764	BRACKET, LEFT		1			
4	50508879	END PLATE		1			

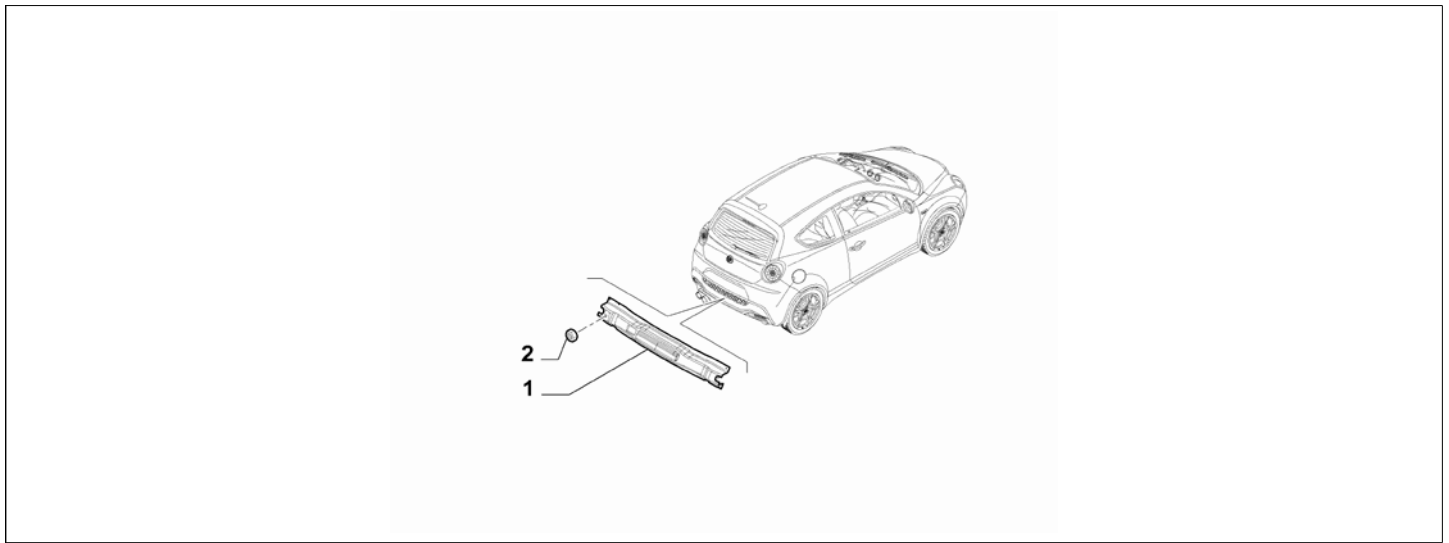
Catalogue	MITO 2011-2013	
Category	20.4 BODYSHELL STRUCTURE (REAR PART)	
Var.	01	
Rev.	00	



Part Num.	Description	Compatibility	Modif.	Qty	Notes	Col.	Reman.
1	50509178 METAL LINING			1			
2	50509068 CROSSRAIL			1			
3	50509069 BOW	400		1			
4	50509178 METAL LINING		C16394	1			
4	50527670 METAL LINING		D16394	1			
5	51754382 BRACKET			2			

Legend	
400	LONG OPENABLE ELECTRIC SUNROOF
16394	extension of bodywork parts for MY2013 [DAT 15/02/2013]

Catalogue	MITO 2011-2013	
Category	20.4 BODYSHELL STRUCTURE (REAR PART)	
Var.	01	
Rev.	00	



Part Num.	Description	Compatibility	Modif.	Qty	Notes	Col.	Reman.
1	50509382 CROSSRAIL			1			
2	12578321 NUT			4			