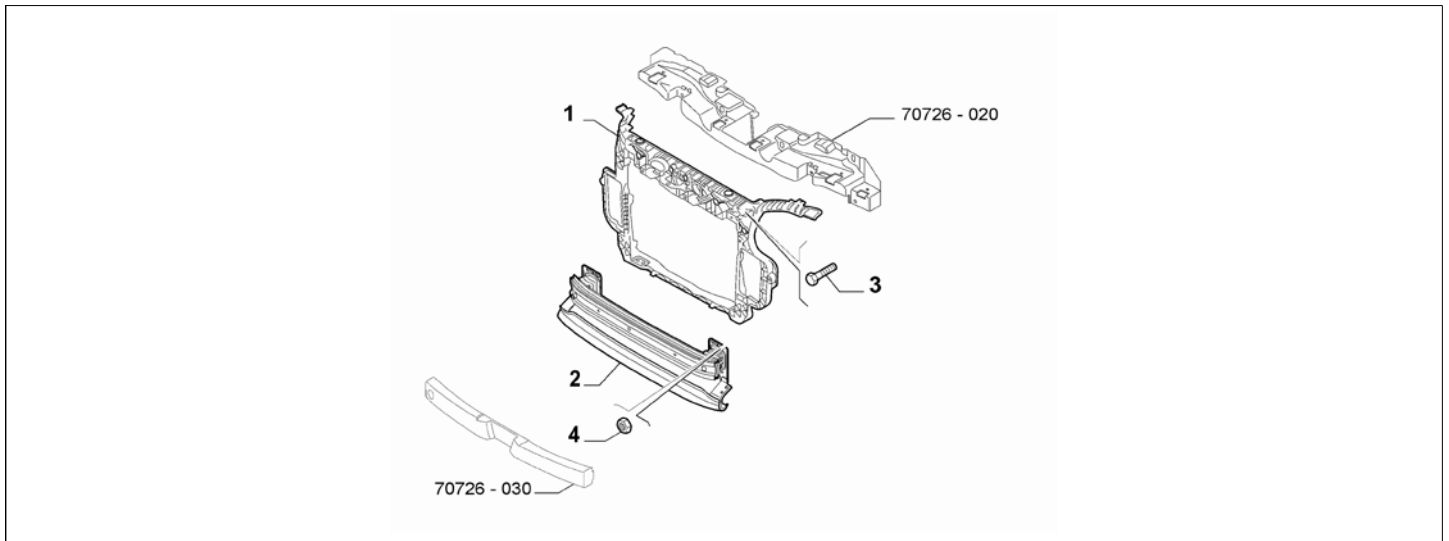
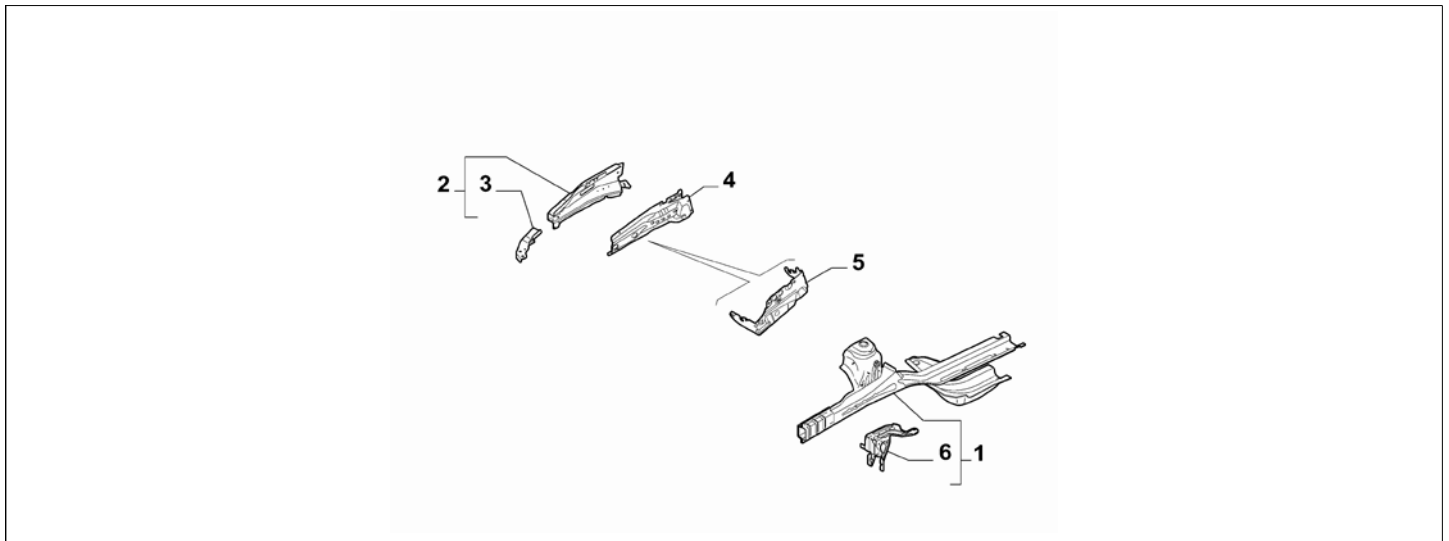


| | | |
|-----------|--------------------------|--|
| Catalogue | MITO 2011-2013 | |
| Category | 20.2 BODYSHELL STRUCTURE | |
| Var. | 02 | |
| Rev. | 00 | |



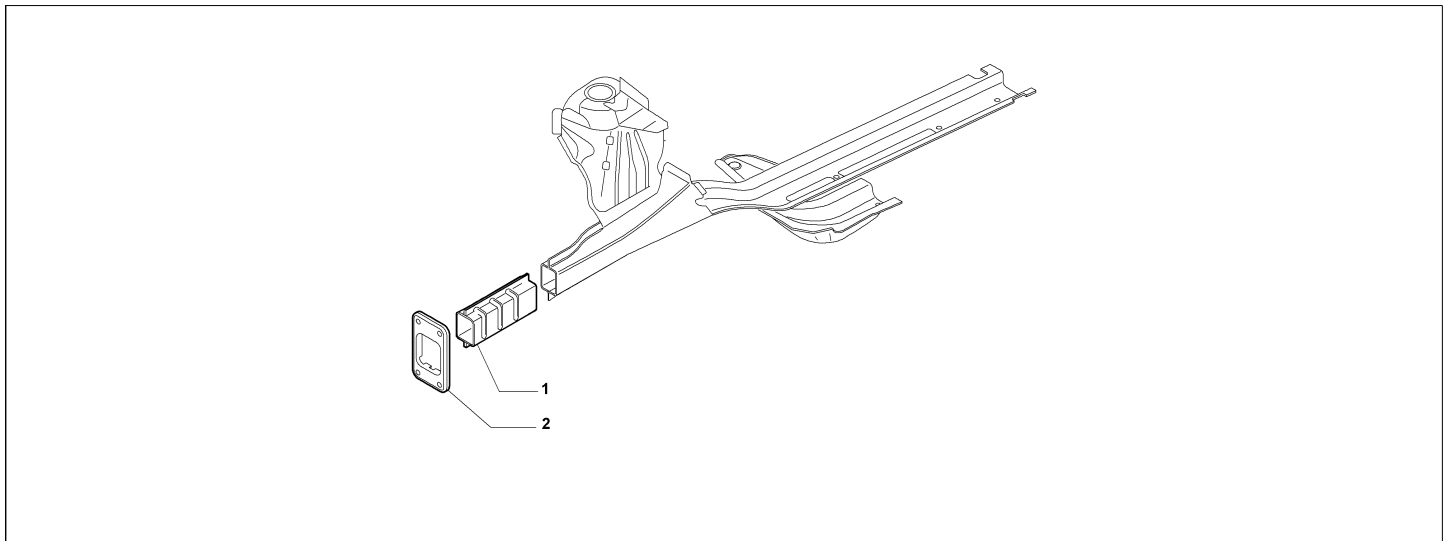
| Part Num. | Description | Compatibility | Modif. | Qty | Notes | Col. | Reman. |
|-----------|--------------------|---------------|--------|-----|-------|------|--------|
| 1 | 50528526 SUPPORT | | | 1 | | | |
| 2 | 50525263 CROSSRAIL | | | 1 | | | |
| 3 | 50520118 SCREW | | | 10 | | | |
| 4 | 13046118 NUT | | | 2 | | | |

| | | |
|-----------|--------------------------|--|
| Catalogue | MITO 2011-2013 | |
| Category | 20.2 BODYSHELL STRUCTURE | |
| Var. | 01 | |
| Rev. | 00 | |



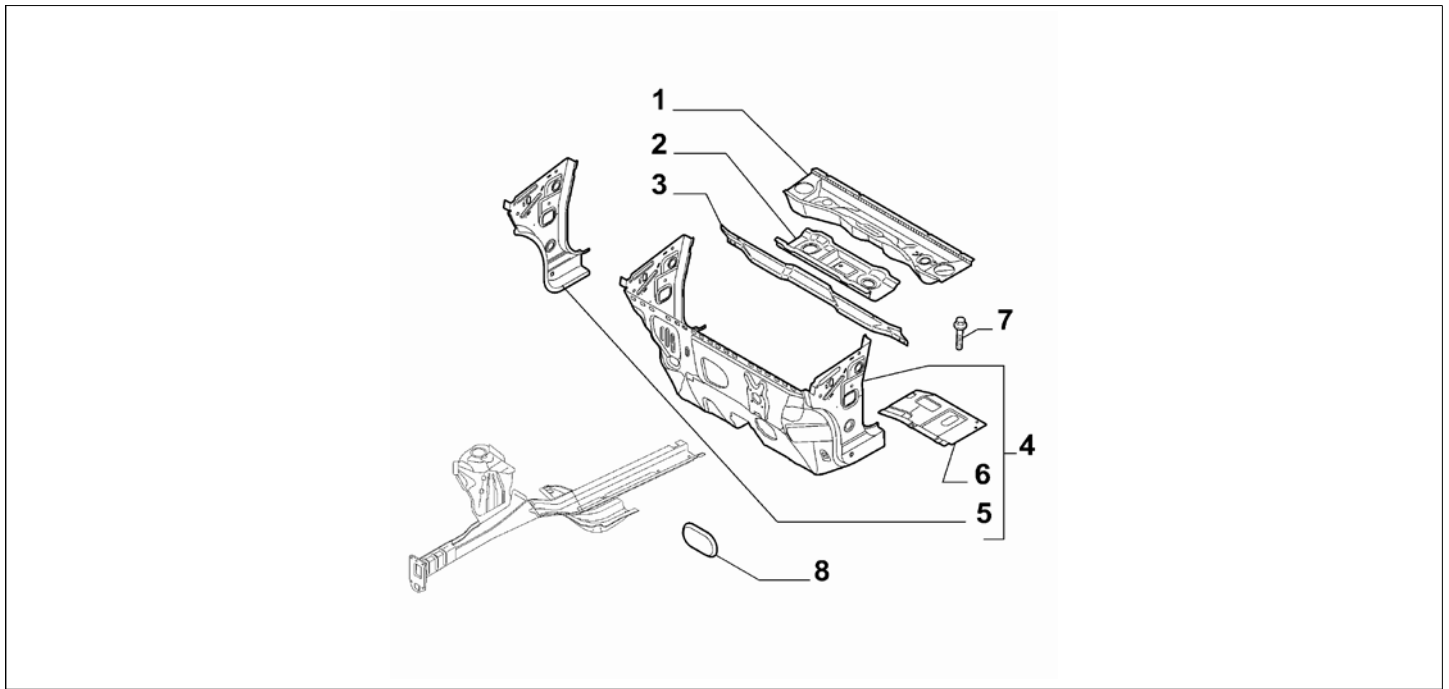
| Part Num. | Description | Compatibility | Modif. | Qty | Notes | Col. | Reman. |
|-----------|-------------------------|---------------|--------|-----|-------|------|--------|
| 1 | 55700004 STRUT, RIGHT | | | 1 | | | |
| 1 | 51873763 STRUT, LEFT | | | 1 | | | |
| 2 | 50516868 STRUT, RIGHT | | | 1 | | | |
| 2 | 50516870 STRUT, LEFT | | | 1 | | | |
| 3 | 50516869 BRACKET, RIGHT | | | 1 | | | |
| 3 | 50516871 BRACKET, LEFT | | | 1 | | | |
| 4 | 50517040 STRUT, RIGHT | | | 1 | | | |
| 4 | 50508633 STRUT, LEFT | | | 1 | | | |
| 5 | 50512727 BRACKET, LEFT | | | 1 | | | |
| 6 | 51867580 BRACKET | | | 1 | | | |

| | | |
|-----------|--------------------------|--|
| Catalogue | MITO 2011-2013 | |
| Category | 20.2 BODYSHELL STRUCTURE | |
| Var. | 01 | |
| Rev. | 00 | |



| Part Num. | Description | Compatibility | Modif. | Qty | Notes | Col. | Reman. |
|-----------|-----------------------|---------------|--------|-----|-------|------|--------|
| 1 | 55703471 STRUT, RIGHT | | | 1 | | | |
| 1 | 55703470 STRUT, LEFT | | | 1 | | | |
| 2 | 51885636 PLATE, RIGHT | | | 1 | | | |
| 2 | 51885637 PLATE, LEFT | | | 1 | | | |

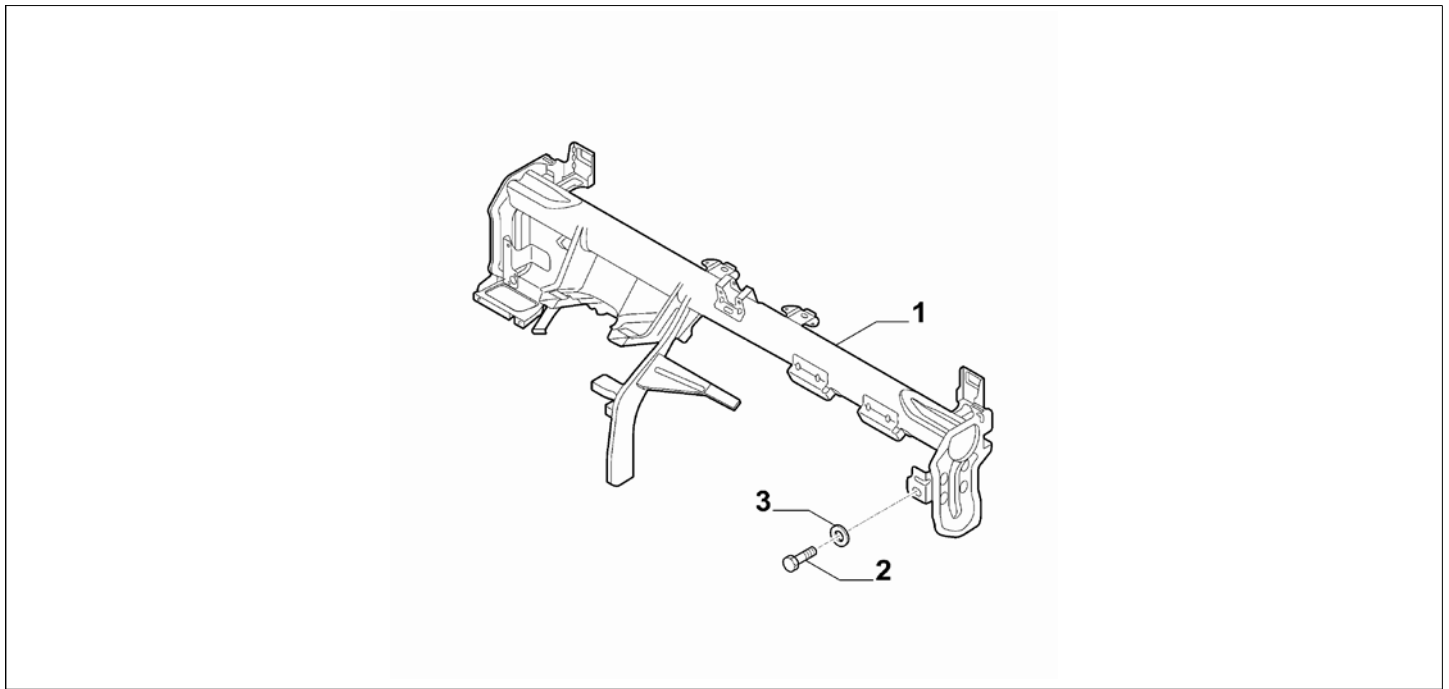
| | | |
|-----------|--------------------------|--|
| Catalogue | MITO 2011-2013 | |
| Category | 20.2 BODYSHELL STRUCTURE | |
| Var. | 01 | |
| Rev. | 00 | |



| Part Num. | Description | Compatibility | Modif. | Qty | Notes | Col. | Reman. |
|-----------|--------------------------------|---------------|--------|-----|-------|------|--------|
| 1 | 50510128 DASH/PANEL | LHD | C16394 | 1 | | | |
| 1 | 50528412 DASH/PANEL | LHD | D16394 | 1 | | | |
| 1 | 50508616 DASH/PANEL | RHD | C16394 | 1 | | | |
| 1 | 50528413 DASH/PANEL | RHD | D16394 | 1 | | | |
| 2 | 55700006 CROSSRAIL | LHD | | 1 | | | |
| 2 | 55701338 CROSSRAIL | RHD | | 1 | | | |
| 3 | 55700204 CROSSRAIL | | | 1 | | | |
| 4 | 55700008 DASH/PANEL | LHD | | 1 | | | |
| 4 | 51861624 DASH/PANEL | RHD | | 1 | | | |
| 5 | 51873512 SIDE PANEL, RIGHT | | | 1 | | | |
| 5 | 51873515 SIDE PANEL, LEFT | | | 1 | | | |
| 6 | 55701398 PROTECTION, RIGHT | | | 1 | | | |
| 6 | 55701397 PROTECTION, LEFT | | | 1 | | | |
| 7 | 51783785 SCREW AND WASHER ASSY | | | 4 | | | |
| 8 | 55703483 PLUG | TCT | | 1 | | | |

| Legend | |
|--------|---|
| TCT | SPECIFIC GEARBOX |
| RHD | STEERING:RIGHT |
| LHD | STEERING:LEFT |
| 16394 | extension of bodywork parts for MY2013 [DAT 15/02/2013] |

| | | |
|-----------|--------------------------|--|
| Catalogue | MITO 2011-2013 | |
| Category | 20.2 BODYSHELL STRUCTURE | |
| Var. | 01 | |
| Rev. | 00 | |



| Part Num. | Description | Compatibility | Modif. | Qty | Notes | Col. | Reman. |
|-----------|-------------|---------------|----------|-----|-------|------|--------|
| 1 | 50516554 | CROSSRAIL | LHD+S/S | | 1 | | |
| 1 | 50508426 | CROSSRAIL | LHD+IS/S | | 1 | | |
| 1 | 50516558 | CROSSRAIL | RHD | | 1 | | |
| 2 | 51805575 | SCREW | | | 4 | | |
| 3 | 13578304 | LOCK WASHER | | | 4 | | |

| Legend | |
|--------|----------------|
| S/S | STOP&START |
| RHD | STEERING:RIGHT |
| LHD | STEERING:LEFT |