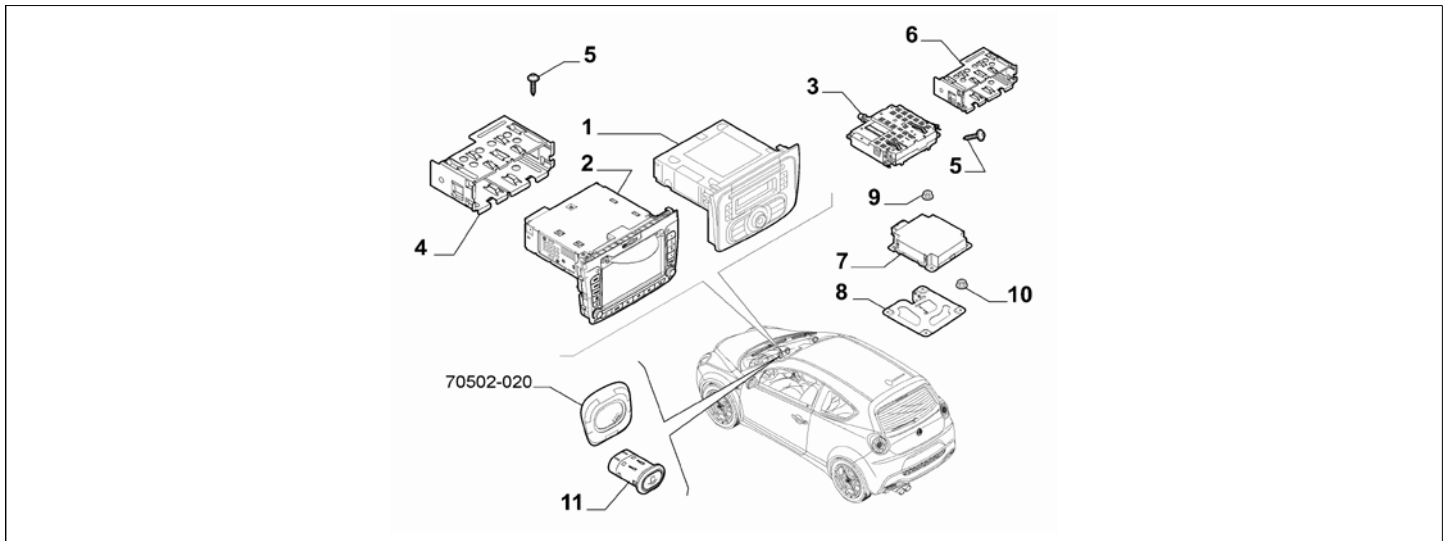


Catalogue	MITO 2011-2013	
Category	18.8 CAR RADIO DEVICES	
Var.	01	
Rev.	00	

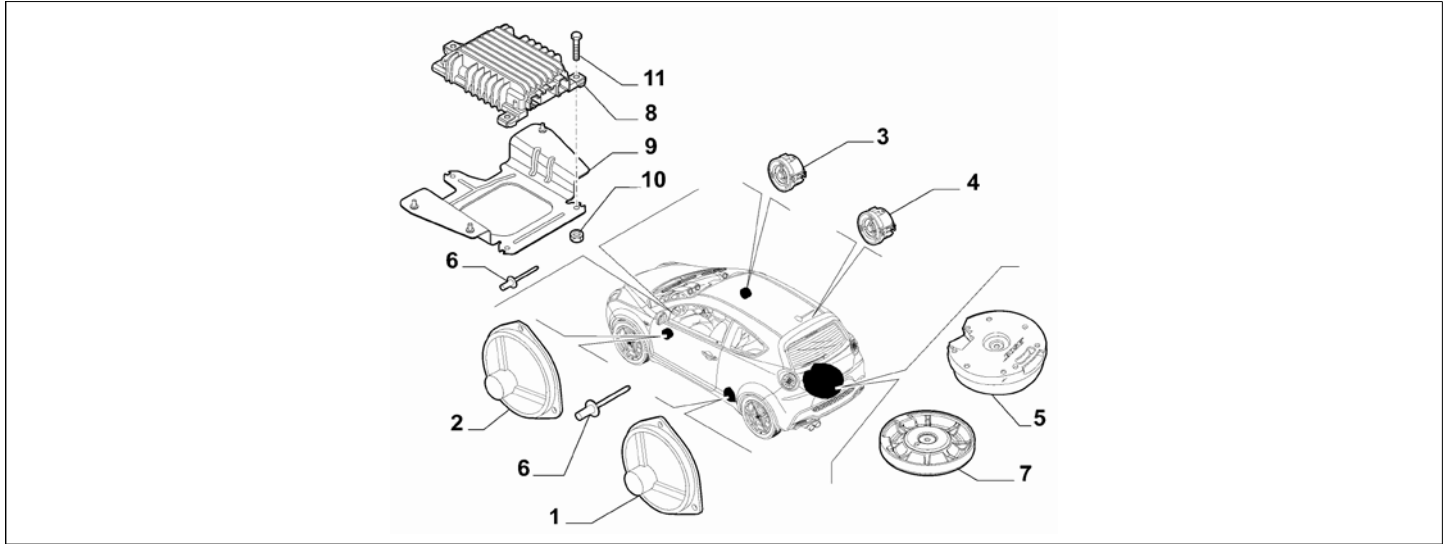


Part Num.	Description	Compatibility	Modif.	Qty	Notes	Col.	Reman.
1	156099053	CAR RADIO SET	I65W+717		1		
1	156099054	CAR RADIO SET	506+I65W		1		
1	156099053	CAR RADIO SET	65W+717		1		
1	156099054	CAR RADIO SET	506+65W		1		
1	156099052	CAR RADIO SET	!S/S+41A+65W	C16439	1		
1	156099052	CAR RADIO SET	41A+I65W	C16439	1		
1	156099052	CAR RADIO SET	41A+65W+I6PC	C16439	1		
1	156102455	CAR RADIO SET	I65W+41A+S/S	D16439	1		
1	156102455	CAR RADIO SET	41A+S/S+65W	D16439	1		
1	156102455	CAR RADIO SET	41A+65W+I6PC	D16439	1		
2	156099067	CONNECT	4CU+I65W		1		
2	156099068	CONNECT	5VZ+I65W		1		
2	156097883	CONNECT	4CU+65W		1		
2	156097884	CONNECT	5VZ+65W		1		
3	50521292	BLU & ME	AM00+4J3+I65W, AM23+4J3+I65W, AM47+4J3+I65W, AM87+4J3+I65W	C15070	1		
3	50521871	BLU & ME	AM00+4J3+I65W, AM23+4J3+I65W, AM47+4J3+I65W, AM87+4J3+I65W	D15070	1		
3	50521292	BLU & ME	AM00+I4J3+65W, AM23+I4J3+65W, AM47+I4J3+65W, AM87+I4J3+65W	C15070	1		
3	50521871	BLU & ME	AM00+I4J3+65W, AM23+I4J3+65W, AM47+I4J3+65W, AM87+I4J3+65W	D15070	1		
3	50521292	BLU & ME	4ZS+I5CM	C15070	1		
3	50521871	BLU & ME	4ZS+I5CM	D15070	1		
3	50521292	BLU & ME	I4ZS+5CM	C15070	1		
3	50521871	BLU & ME	I4ZS+5CM	D15070	1		
4	50511732	BRACKET	4CU		1		
4	50511732	BRACKET	5VZ		1		
4	50509526	BRACKET	41A		1		
4	50509526	BRACKET	506		1		
4	50509526	BRACKET	717		1		
5	46558583	SCREW	717		3		
5	46558583	SCREW	41A		3		
5	46558583	SCREW	4CU		3		
5	46558583	SCREW	506		3		
5	46558583	SCREW	5VZ		3		
5	46558583	SCREW	4J3+I65W		2		

5	46558583	SCREW	4ZS+I5CM		2			
5	46558583	SCREW	I4J3+65W		2			
5	46558583	SCREW	I4ZS+5CM		2			
6	50511733	BRACKET	4J3+I65W		1			
6	50511733	BRACKET	4ZS+I5CM		1			
6	50511733	BRACKET	I4J3+65W		1			
6	50511733	BRACKET	I4ZS+5CM		1			
7	50520764	BRANCH CONTROL UNIT	S/S+I718		1			
7	51833518	BRANCH CONTROL UNIT	I4CU+S/S+I5VZ+718		1			
7	50520409	BRANCH CONTROL UNIT	4CU+S/S+I5VZ+718		1			
7	50520409	BRANCH CONTROL UNIT	I4CU+S/S+I5VZ+718		1			
8	50516565	BRACKET	S/S		1			
9	14084111	NUT, M5	S/S		4			
10	13046118	NUT, M6	S/S		2			
11	156091498	CONNECTION	68R		1			

Legend	
41A	CD RADIO WITH MP3 PLAYER
4CU	MAP RADIO NAVIGATOR
4J3	CONVERGENCE C1 WITH MEDIA PLAYER JACK
4ZS	CONVERGENCE C1 WITH MEDIA PLAYER JACK 2
506	RADIO W. SPECIFIC FREQUENCIES
5CM	CONVERGENCE WITH USB PORT AND AUX SOCKET 2
S/S	STOP&START
5VZ	MAP RADIO NAVIGATOR WITH TMC PRO
65W	CONVERGENCE WITH USB PORT AND AUX SOCKET
68R	PDA SETUP 2
6PC	CAR RADIO EXCLUDED
717	RADIO EXTRA SERIES 2
718	HI-FI AUDIO SYSTEM
AM00	MARKET VERSION:ITALY / CENTRAL EUROPE
AM23	MARKET VERSION:AUSTRALIA
AM47	MARKET VERSION:MEXICO
AM87	MARKET VERSION:UK/EIRE
15070	New convergence ECU with updated software [DAT 13/05/2011]
16439	Elimination of voltage stabilizer and introduction of low-voltage amplifier [DAT 20/03/2013]

Catalogue	MITO 2011-2013	
Category	18.8 CAR RADIO DEVICES	
Var.	01	
Rev.	00	

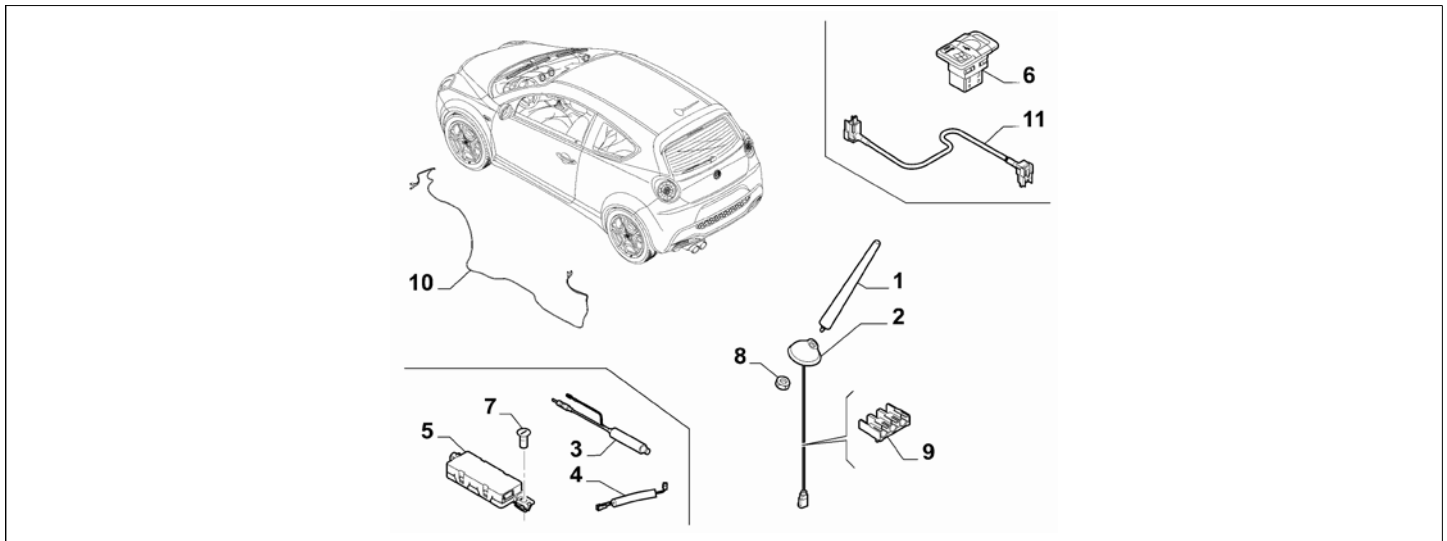


Part Num.	Description	Compatibility	Modif.	Qty	Notes	Col.	Reman.
1	50508493	LOUD SPEAKER, REAR	082+1718		2		
1	50508493	LOUD SPEAKER, REAR	41A+1718		2		
1	51830230	LOUD SPEAKER, REAR	506+1718		2		
1	51830230	LOUD SPEAKER, REAR	717+1718		2		
1	51830230	LOUD SPEAKER, REAR	4CU+1718		2		
1	51830230	LOUD SPEAKER, REAR	5VZ+1718		2		
1	50500509	LOUD SPEAKER, REAR	718		2		
2	50500509	LOUD SPEAKER, ANTERIORE	718		2		
2	51830230	LOUD SPEAKER, ANTERIORE	082+1718		2		
2	51830230	LOUD SPEAKER, ANTERIORE	41A+1718		2		
2	51830230	LOUD SPEAKER, ANTERIORE	506+1718		2		
2	51830230	LOUD SPEAKER, ANTERIORE	717+1718		2		
2	51830230	LOUD SPEAKER, ANTERIORE	4CU+1718		2		
2	51830230	LOUD SPEAKER, ANTERIORE	5VZ+1718		2		
3	55701249	LOUD SPEAKER, ANTERIORE	082+1718		2		
3	55701249	LOUD SPEAKER, ANTERIORE	41A+1718		2		
3	55701249	LOUD SPEAKER, ANTERIORE	506+1718		2		
3	55701249	LOUD SPEAKER, ANTERIORE	717+1718		2		
3	55701249	LOUD SPEAKER, ANTERIORE	4CU+1718		2		
3	55701249	LOUD SPEAKER, ANTERIORE	5VZ+1718		2		
3	60682304	LOUD SPEAKER, ANTERIORE	718		2		
4	55701249	LOUD SPEAKER, REAR	082+1718		2		
4	55701249	LOUD SPEAKER, REAR	41A+1718		2		
4	55701249	LOUD SPEAKER, REAR	506+1718		2		
4	55701249	LOUD SPEAKER, REAR	717+1718		2		
4	55701249	LOUD SPEAKER, REAR	4CU+1718		2		
4	55701249	LOUD SPEAKER, REAR	5VZ+1718		2		
4	60682304	LOUD SPEAKER, REAR	718		2		
5	51836380	LOUD SPEAKER	718		1		
6	51767181	RIVET			16		
7	50513279	PAD	718, 803		1		
8	50508505	AMPLIFIER	718		1		
9	50510290	BRACKET	LHD+ITCT+718		1		
9	50510291	BRACKET	RHD+ITCT+718		1		

9	50516034	BRACKET	TCT+718		1		
10	14084711	NUT, M6	!TCT+718		3		
11	18750524	SCREW, M6X22	718		3		

Legend	
082	RADIO SET-UP
TCT	SPECIFIC GEARBOX
41A	CD RADIO WITH MP3 PLAYER
4CU	MAP RADIO NAVIGATOR
506	RADIO W. SPECIFIC FREQUENCIES
5VZ	MAP RADIO NAVIGATOR WITH TMC PRO
717	RADIO EXTRA SERIES 2
718	HI-FI AUDIO SYSTEM
803	SPARE WHEEL
RHD	STEERING:RIGHT
LHD	STEERING:LEFT

Catalogue	MITO 2011-2013	
Category	18.8 CAR RADIO DEVICES	
Var.	01	
Rev.	00	

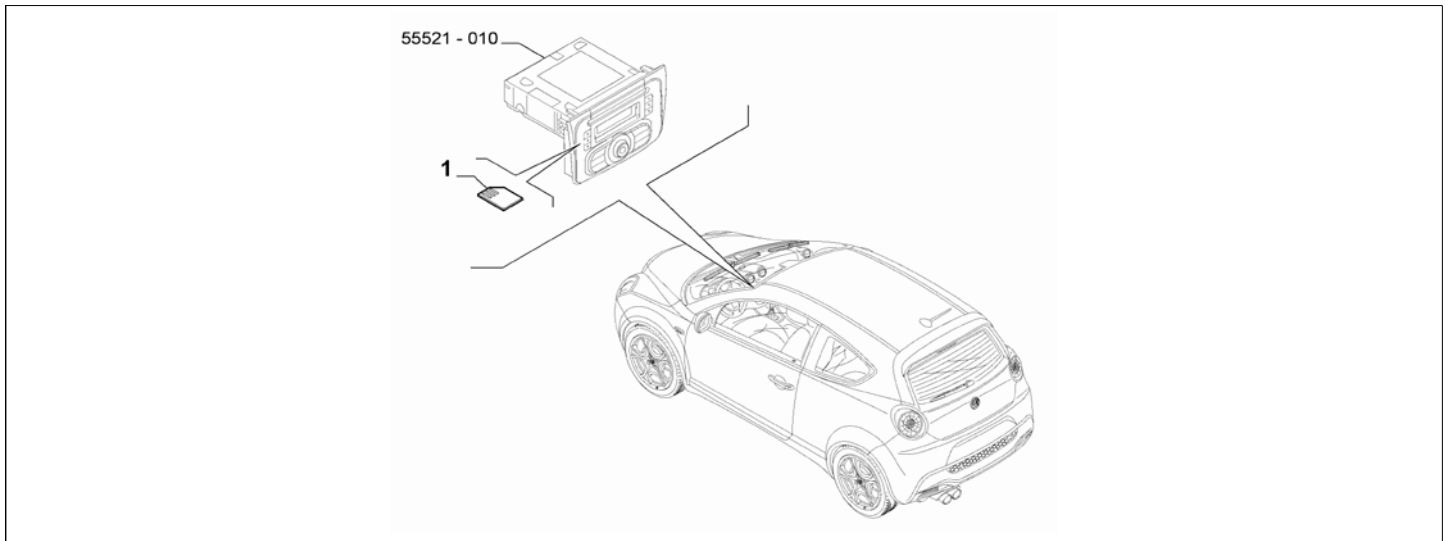


Part Num.	Description	Compatibility	Modif.	Qty	Notes	Col.	Reman.
1	51819862	ANTENNA	AM00, AM47, AM87, !AM26		1		
1	50508217	ANTENNA	AM26		1		
2	50520806	SUPPORT	!41A+!4CU+!506+!5VZ+!717		1		
2	50520806	SUPPORT	41A+!4CU+!5VZ+!717		1		
2	50520806	SUPPORT	506+!5VZ		1		
2	50520806	SUPPORT	!4CU+!5VZ+717		1		
2	51809363	SUPPORT	4CU		1		
2	51809363	SUPPORT	5VZ		1		
3	50901149	ADAPTER	082		1		
4	50512633	FILTER	717		2		
4	50512633	FILTER	4CU		2		
4	50512633	FILTER	5VZ		2		
5	50508506	AMPLIFIER	717		1		
5	50508506	AMPLIFIER	4CU		1		
5	50508506	AMPLIFIER	5VZ		1		
6	156089113	CONNECTION	4J3+!65W		1		
6	156089113	CONNECTION	4ZS+!5CM		1		
6	156098996	CONNECTION	65W	C16614	1		
6	156100051	CONNECTION	65W	D16614	1		
6	156098996	CONNECTION	5CM	C16614	1		
6	156100051	CONNECTION	5CM	D16614	1		
7	15688507	SCREW	717		1		
7	15688507	SCREW	4CU		1		
7	15688507	SCREW	5VZ		1		
8	50511719	NUT			1		
9	50512015	CLIP	!4CU+!5VZ		1		
9	50512015	CLIP	4CU		2		
9	50512015	CLIP	5VZ		2		
10	50510126	ELECTRIC CABLE	4CU		1		
10	50510126	ELECTRIC CABLE	5VZ		1		
11	71777315	CABLE			1		

Legend	
082	RADIO SET-UP

41A	CD RADIO WITH MP3 PLAYER
4CU	MAP RADIO NAVIGATOR
4J3	CONVERGENCE C1 WITH MEDIA PLAYER JACK
4ZS	CONVERGENCE C1 WITH MEDIA PLAYER JACK 2
506	RADIO W. SPECIFIC FREQUENCIES
5CM	CONVERGENCE WITH USB PORT AND AUX SOCKET 2
5VZ	MAP RADIO NAVIGATOR WITH TMC PRO
65W	CONVERGENCE WITH USB PORT AND AUX SOCKET
717	RADIO EXTRA SERIES 2
AM00	MARKET VERSION:ITALY / CENTRAL EUROPE
AM26	MARKET VERSION:JAPAN
AM47	MARKET VERSION:MEXICO
AM87	MARKET VERSION:UK/EIRE
16614	Adapted AUX-IN resistors for ESD test [DAT 10/11/2011]

Catalogue	MITO 2011-2013	
Category	18.8 CAR RADIO DEVICES	
Var.	01	
Rev.	00	



Part Num.	Description	Compatibility	Modif.	Qty	Notes	Col.	Reman.
1	51892660	MEMORY CARD	4CU+5JW	C15114	1		
1	51892660	MEMORY CARD	5JW+5VZ	C15114	1		
1	51900429	MEMORY CARD	4CU+5JW	D15114, C15387	1		
1	51934331	MEMORY CARD	4CU+5VZ	D15387, C16563	1		
1	51968177	MEMORY CARD	4CU+5VZ	D16563	1		
1	51900429	MEMORY CARD	5JW+5VZ	D15114, C15387	1		
1	51934331	MEMORY CARD	5JW+5VZ	D15387	1		

Legend	
4CU	MAP RADIO NAVIGATOR
5JW	SD CARD FOR NAVIGATOR MAP OF EUROPE
5VZ	MAP RADIO NAVIGATOR WITH TMC PRO
15114	Map update [DAT 09/05/2011]
15387	UPDATED EUROPE MAP 2013 [DAT 05/10/2012]
16563	New Europe 2014 SD card [DAT 14/06/2013]