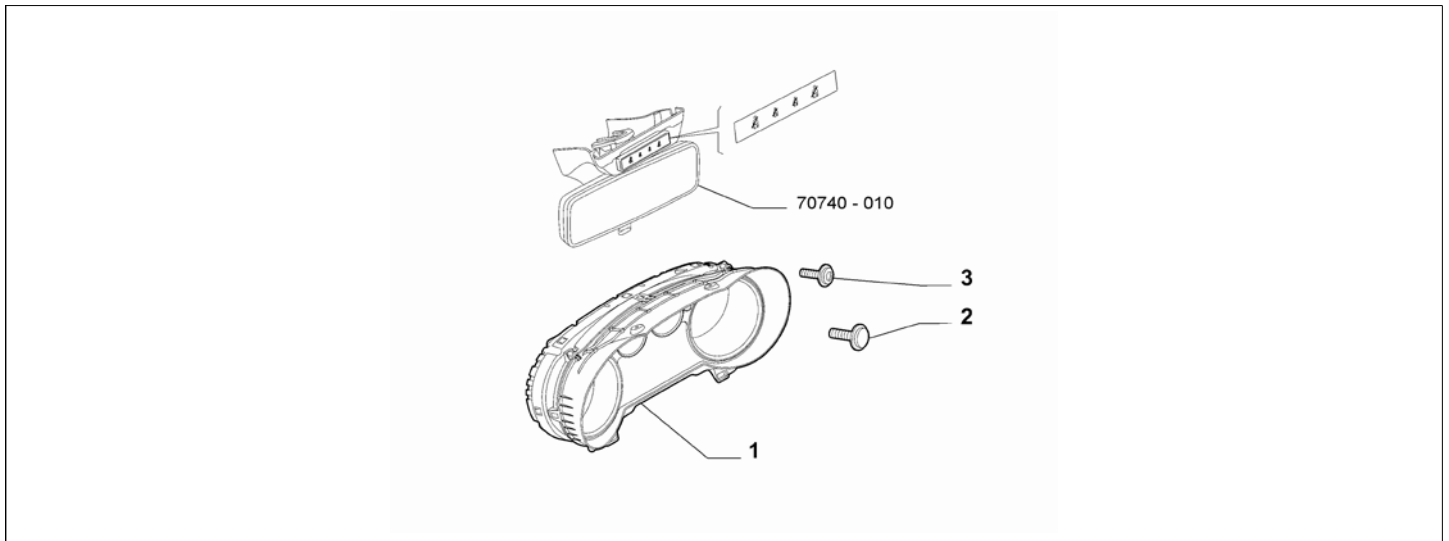


Catalogue	MITO 2011-2013	
Category	18.6 OPERATION INDICATORS	
Var.	01	
Rev.	00	



Part Num.	Description	Compatibility	Modif.	Qty	Notes	Col.	Reman.
1	Y50001 Matricola traceability			-			
2	46558583 SCREW			2			
3	51723314 SCREW			2			