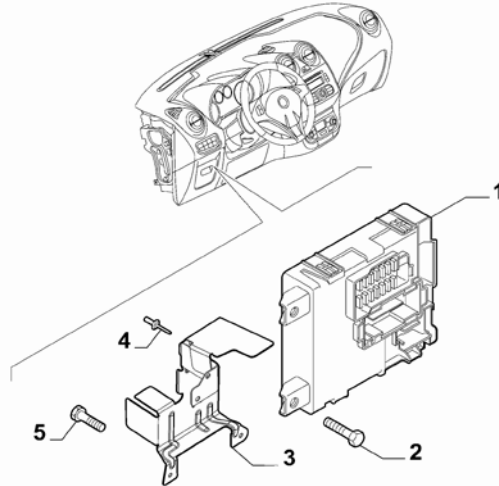


Catalogue	MITO 2011-2013	
Category	18.2 INTERCONNECTION AND REMOTE CONTROL SWITCH	
Var.	01	
Rev.	00	

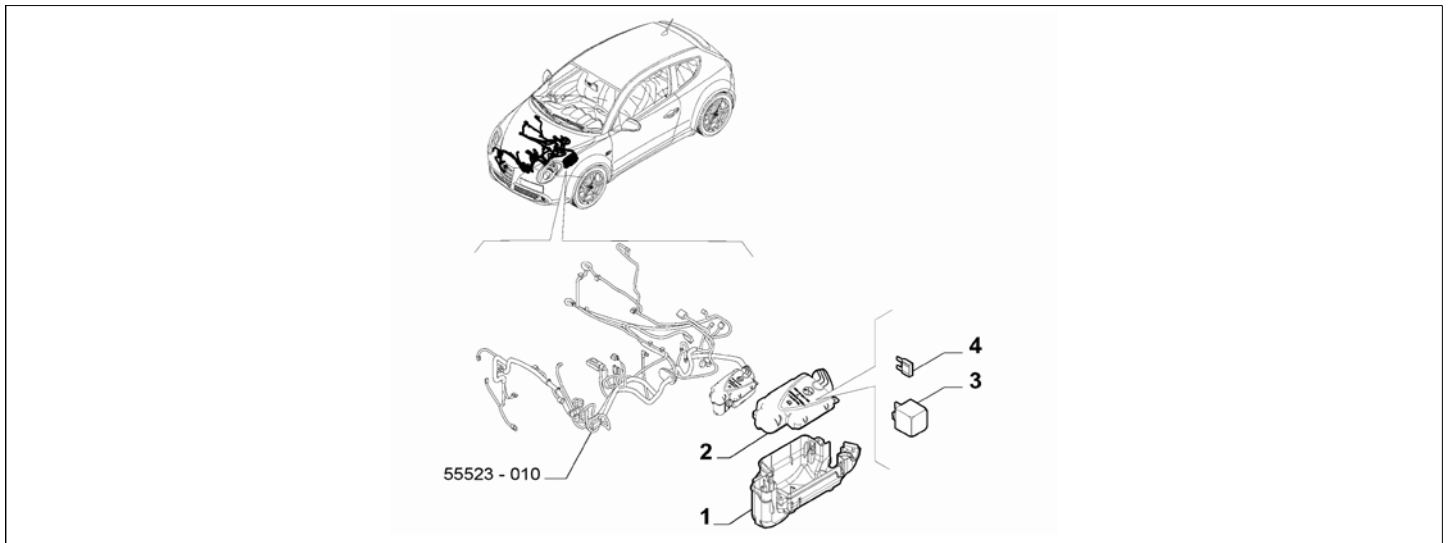


Part Num.	Description	Compatibility	Modif.	Qty	Notes	Col.	Reman.
1	50518121	BODY COMPUTER	AM00+I230+I66M, AM23+I230+I66M, AM47+I230, AM87+I230+I66M	C15723	1		
1	50522080	BODY COMPUTER	AM00+I230+I5GY+I66M+I6DC, AM23+I230+I66M+I6DC, AM47+I230+I6DC, AM87+I230+I5GY+I66M+I6DC	D15723, C15787	1		
1	50525457	BODY COMPUTER	AM00+I230+I5GY+I66M+I6DC, AM23+I230+I66M+I6DC, AM47+I230+I6DC, AM87+I230+I5GY+I66M+I6DC	D15787, C16155	1		
1	50527133	BODY COMPUTER	AM00+I230+I5GY+I66M, AM23+I230+I66M, AM47+I230, AM87+I230+I5GY+I66M	D16155	1		
1	50518366	BODY COMPUTER	AM26+I230	C15723	1		
1	50522082	BODY COMPUTER	AM26+I230+I6DC	D15723	1		
1	50518123	BODY COMPUTER	AM00+230+I66M, AM23+230+I66M, AM47+230, AM87+230+I66M	C15723	1		
1	50522081	BODY COMPUTER	AM00+230+I5GY+I66M+I6DC, AM23+230+I66M+I6DC, AM47+230+I6DC, AM87+230+I5GY+I66M+I6DC	D15723, C15787	1		
1	50525458	BODY COMPUTER	AM00+230+I5GY+I66M+I6DC, AM23+230+I66M+I6DC, AM47+230+I6DC, AM87+230+I5GY+I66M+I6DC	D15787, C16155	1		
1	50527135	BODY COMPUTER	AM00+230+I5GY+I66M, AM23+230+I66M, AM47+230, AM87+230+I5GY+I66M	D16155	1		
1	50518367	BODY COMPUTER	AM26+230	C15723	1		
1	50522083	BODY COMPUTER	AM26+230+I6DC	D15723	1		
1	50520583	BODY COMPUTER	AM00+66M, AM23+66M, AM47+66M, AM87+66M	C15288	1		
1	50521834	BODY COMPUTER	AM00+I5GY+66M+I6DC, AM23+I5GY+66M+I6DC, AM47+I5GY+66M+I6DC, AM81+I5GY+66M+I6DC, AM87+I5GY+66M+I6DC	D15288	1		
1	50521834	BODY COMPUTER	AM00+5GY+I6DC, AM23+5GY+I66M+I6DC, AM47+5GY+I66M+I6DC, AM81+5GY+I66M+I6DC, AM87+5GY+I6DC	D15288	1		
1	50527136	BODY COMPUTER	AM26	D16155	1		
1	50527137	BODY COMPUTER	AM47	D16155	1		
1	50527137	BODY COMPUTER	AM00+5GY, AM87+5GY	D16155	1		
1	50527137	BODY COMPUTER	AM00+66M, AM23+66M, AM87+66M	D16155	1		
2	46755828	SCREW			3		
3	51789830	BRACKET	RHD		1		
4	14261691	RIVET	RHD		1		
5	7645413	SCREW	RHD		2		

Legend	
230	GAS DISCHARGE HEADLIGHTS
5GY	TECH B
66M	ECO KIT 2
6DC	LOW SPEED COLLISION MITIGATION (LSCM)

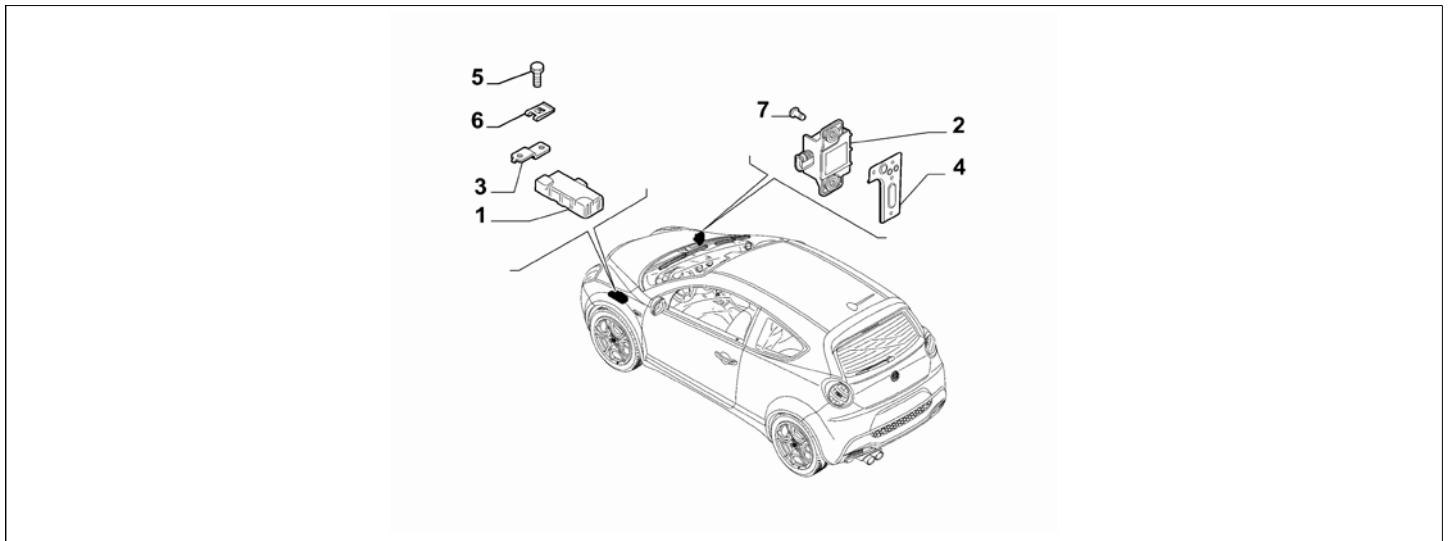
AM00	MARKET VERSION:ITALY / CENTRAL EUROPE
AM23	MARKET VERSION:AUSTRALIA
AM26	MARKET VERSION:JAPAN
AM47	MARKET VERSION:MEXICO
AM81	MARKET VERSION:LIGHT TROPICS
AM87	MARKET VERSION:UK/EIRE
RHD	STEERING:RIGHT
15288	BCM LSCM and TECH B part numbers standardized (Pattern changed) [DAT 27/10/2011]
15723	New control unit for software modification [DAT 02/01/2012]
15787	New small 2 Body computers for new DNA logic [DAT 23/03/2012]
16155	Introduction of proxy parameter for heating blow-by management [DAT 16/10/2012]

Catalogue	MITO 2011-2013	
Category	18.2 INTERCONNECTION AND REMOTE CONTROL SWITCH	
Var.	01	
Rev.	00	



Part Num.	Description	Compatibility	Modif.	Qty	Notes	Col.	Reman.
1	50509532 SUPPORT			1			
2	50509531 COVER			1			
3	11130885 RELAY, 30 A			1			
3	11131585 RELAY, 30 A			1			
3	11131087 RELAY, 50 A			1			
4	10399690 FUSE, 10 A			1			
4	10401090 FUSE, 15 A			1			
4	10401190 FUSE, 20 A			1			
4	10402190 FUSE, 30 A			1			

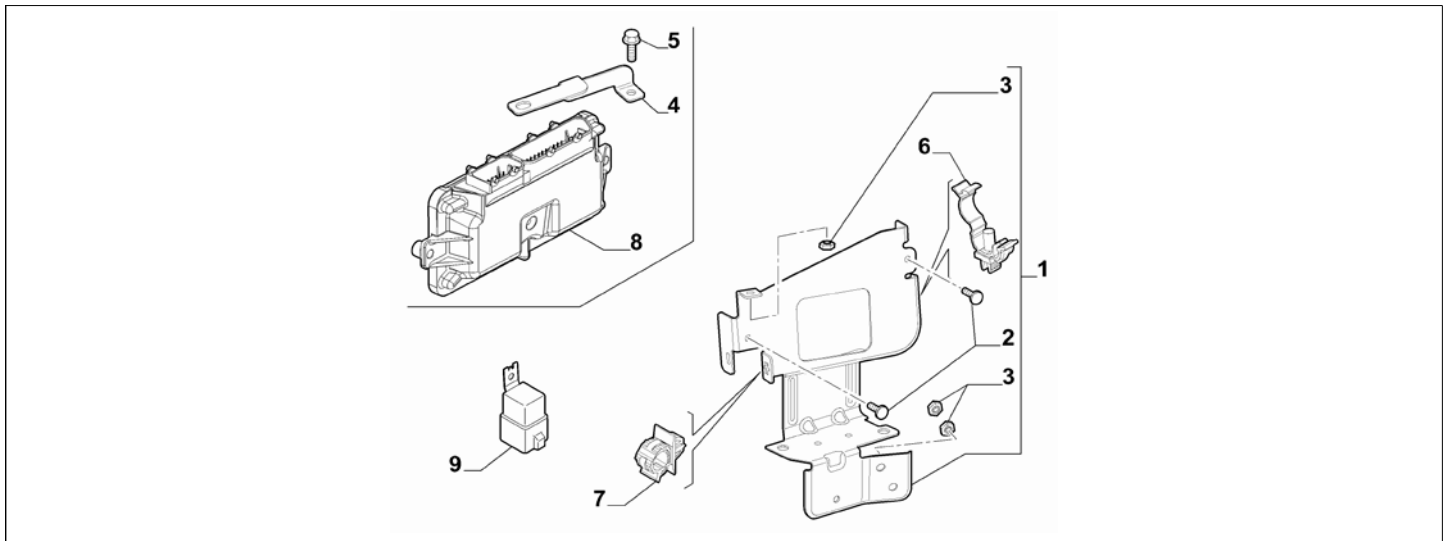
Catalogue	MITO 2011-2013	
Category	18.2 INTERCONNECTION AND REMOTE CONTROL SWITCH	
Var.	01	365
Rev.	00	



Part Num.	Description	Compatibility	Modif.	Qty	Notes	Col.	Reman.
1	50508458 ELECTRONIC CONTROL UNIT	365		1			
2	51703622 SENDING UNIT	365		4			
3	51750628 BRACKET	365		2			
4	51769442 BRACKET, REAR RIGHT	365		1			
4	51769443 BRACKET, REAR LEFT	365		1			
5	15690801 SCREW	365		2			
6	14189776 PLATE	365		2			
7	14640790 RIVET	365		8			

Legend	
365	TPMS (TIREPRESSURE MONITORING SYSTEM)

Catalogue	MITO 2011-2013	
Category	18.2 INTERCONNECTION AND REMOTE CONTROL SWITCH	
Var.	01	
Rev.	00	



Part Num.	Description	Compatibility	Modif.	Qty	Notes	Col.	Reman.
1	50521139 BRACKET	EURO5+LPG		1			
2	14081610 SCREW	EURO5+LPG		2			
3	14098710 NUT	EURO5+LPG		3			
4	50521140 BRACKET	EURO5+LPG		1			
5	55192179 SCREW	EURO5+LPG		1			
6	7713665 CLIP	EURO5+LPG		1			
7	7728456 CLIP	EURO5+LPG		1			
8	51892045 ELECTRONIC CONTROL UNIT	EURO5+LPG		1			
9	46520438 RELAY, 12V-30A/40A	EURO5+LPG		1			

Legend	
LPG	LPG POWER SUPPLY (ITALY STANDARD)
EURO5	ECOLOGY:LIM.ECC PHASE 5